



**Product Approval**  
USER: Public User

[Product Approval Menu](#) > [Product or Application Search](#) > [Application List](#) > **Application Detail**

OFFICE OF THE SECRETARY

FL #	FL42521										
Application Type	New										
Code Version	2023										
Application Status	Approved										
Comments											
Archived	<input type="checkbox"/>										
Product Manufacturer	GIG Windows & Doors										
Address/Phone/Email	290 W 78 Road Hialeah, FL 33014 (305) 558-8103 tony@generalimpact.com										
Authorized Signature	Jose Zuniga tony@generalimpact.com										
Technical Representative											
Address/Phone/Email											
Quality Assurance Representative											
Address/Phone/Email											
Category	Windows										
Subcategory	Fixed										
Compliance Method	Evaluation Report from a Florida Registered Architect or a Licensed Florida Professional Engineer <input type="checkbox"/> Evaluation Report - Hardcopy Received										
Florida Engineer or Architect Name who developed the Evaluation Report	Walter A. Tillit Jr., P.E.										
Florida License	PE-44167										
Quality Assurance Entity	National Accreditation and Management Institute										
Quality Assurance Contract Expiration Date	12/31/2026										
Validated By	John W. Knezevich, PE <input checked="" type="checkbox"/> Validation Checklist - Hardcopy Received										
Certificate of Independence	<a href="#">FL42521_R0_COI_COI Drwg 23-210 GIG Windows Doors.pdf</a>										
Referenced Standard and Year (of Standard)	<table border="0"> <thead> <tr> <th><b>Standard</b></th> <th><b>Year</b></th> </tr> </thead> <tbody> <tr> <td>ASTM E1300</td> <td>2009</td> </tr> <tr> <td>TAS 201</td> <td>1994</td> </tr> <tr> <td>TAS 202</td> <td>1994</td> </tr> <tr> <td>TAS 203</td> <td>1994</td> </tr> </tbody> </table>	<b>Standard</b>	<b>Year</b>	ASTM E1300	2009	TAS 201	1994	TAS 202	1994	TAS 203	1994
<b>Standard</b>	<b>Year</b>										
ASTM E1300	2009										
TAS 201	1994										
TAS 202	1994										
TAS 203	1994										
Equivalence of Product Standards Certified By											
Sections from the Code											

Product Approval Method

Method 1 Option D

Date Submitted

10/09/2023

Date Validated

10/09/2023

Date Pending FBC Approval

10/23/2023

Date Approved

12/13/2023

**Summary of Products**

FL #	Model, Number or Name	Description
42521.1	Series VPF 8000 Aluminum Fixed Window - LMI	Window System made of Laminated and Insulated Impact Resistant Glass retained by aluminum profile frame, wet glazed.
<b>Limits of Use</b> <b>Approved for use in HVHZ:</b> Yes <b>Approved for use outside HVHZ:</b> Yes <b>Impact Resistant:</b> Yes <b>Design Pressure:</b> +varies/-varies <b>Other:</b> Large & Small Missile Impact Resistant, see General Notes No. 1 thru 5, on sheet 1 of installation Drawing No. 23-210. A.S.D. Pressure rating per schedules on installation Drawing No. 23-210. See Section 7 of Evaluation Report for additional Limitations and Conditions of Use.		<b>Installation Instructions</b> <a href="#">FL42521_R0_II_PED_Drwg_23-210_GIG_Windows_Doors.pdf</a> Verified By: Walter A. Tillit Jr., P.E. PE 44167 Created by Independent Third Party: Yes <b>Evaluation Reports</b> <a href="#">FL42521_R0_AE_PER_Drwg_23-210_GIG_Windows_Doors.pdf</a> Created by Independent Third Party: Yes

[Back](#)

[Next](#)

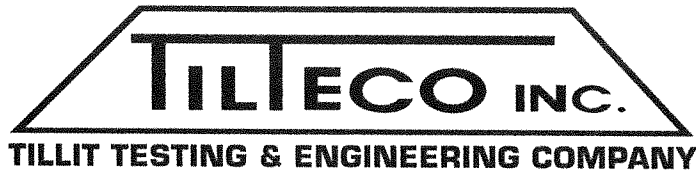
[Contact Us](#) :: 2601 Blair Stone Road, Tallahassee FL 32399 Phone: 850-487-1824

The State of Florida is an AA/EEO employer. [Copyright 2007-2013 State of Florida.](#) :: [Privacy Statement](#) :: [Accessibility Statement](#) :: [Refund Statement](#)

Under Florida law, email addresses are public records. If you do not want your e-mail address released in response to a public-records request, do not send electronic mail to this entity. Instead, contact the office by phone or by traditional mail. If you have any questions, please contact 850.487.1395. \*Pursuant to Section 455.275(1), Florida Statutes, effective October 1, 2012, licensees licensed under Chapter 455, F.S. must provide the Department with an email address if they have one. The emails provided may be used for official communication with the licensee. However email addresses are public record. If you do not wish to supply a personal address, please provide the Department with an email address which can be made available to the public. To determine if you are a licensee under Chapter 455, F.S., please click [here](#).

**Product Approval Accepts:**





WALTER A. TILLIT, JR., P.E.

tilteco@aol.com  
FL P.E. License No. 44167  
FL C.A. License No. 0006719

## **CERTIFICATE OF INDEPENDENCE**

**Evaluation Report #:** 23-0919.06

**Date:** September 19, 2023

**Product Category:** Windows

**Product Subcategory:** Fixed

**Product Name:** **SERIES VPF 8000 ALUMINUM FIXED WINDOW – LMI**

**Manufacturer Name:** **GIG Windows & Doors**  
290 West 78th Road  
Hialeah, FL 33014

**Dear Sir (Madam):**

This is to certify that this Florida Professional Engineer, performing this evaluation does not have nor will acquire, a financial interest in any company manufacturing or distributing products for which the reports are being issued.

This is also to certify that this Florida Professional Engineer performing this evaluation does not have, nor will acquire, a financial interest in any other entity involved in the approval process of the product.

**Certificate of Independence prepared by Walter A. Tillit, Jr., P.E. (Florida License No. 44167), President of Tilteco, Inc. (Florida CA-0006719).**

9/19/2023

WATMA

D:\TILTECO ADMON RECORDS \ CERTIFICATION OF INDEPENDENCE \ GIG WINDOWS & DOORS \ SERIES VPF 8000 ALUMINUM FIXED WINDOW – LMI \ EVALUATION REPORT # 23-0919.06



WALTER A. TILLIT, JR., P.E.

tilteco@aol.com  
FL P.E. License No. 44167  
FL C.A. License No. 0006719

## PRODUCT EVALUATION REPORT

**REPORT No.:** 23-0919.06

**DATE:** September 19, 2023

**PRODUCT CATEGORY:** Windows

**PRODUCT SUB-CATEGORY:** Fixed

**PRODUCT NAME:** **SERIES VPF 8000 ALUMINUM FIXED WINDOW – LMI**

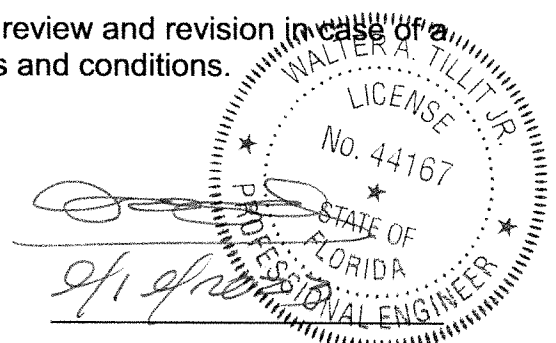
**MANUFACTURER:** **GIG WINDOWS & DOORS**  
290 West 78th Road  
Hialeah, FL 33014

### 1. PURPOSE OF EVALUATION:

This is a Product Evaluation Report issued by **Walter A. Tillit, Jr., P.E.** (System ID # 1906) to **GIG WINDOWS & DOORS**, based on **Rule Chapter No. 61G20-3, Method 1D of the Florida Department of Business and Professional Regulation.**

This product is being issued an Evaluation Report as described herein and has been verified for compliance in accordance with the 2023 8th Edition of the Florida Building Code, and to verify that the product is for the purpose intended at least equivalent to that required by the Code.

This Product Evaluation Report shall be subject to review and revision in case of a Building Code change that may affect its limitations and conditions.



## **2. EVIDENCE SUBMITTED:**

### **2.1. PRODUCT EVALUATION DOCUMENT (P.E.D.):**

Drawing No. 23-210, titled “**SERIES VPF 8000 ALUMINUM FIXED WINDOW – LMI**” sheets 1 thru 31 prepared by **Tilteco, Inc.**; signed and sealed by **Walter A. Tillit, Jr., P.E.**; dated **09/12/2023**. This drawing is an integral part of this Evaluation Report.

### **2.2. TEST REPORTS:**

Impact and Cyclic Tests as per protocol TAS-201, TAS-203, Uniform Static Load as per Protocol TAS 202 per sections 1626 and 1609.1.2, respectively of the Florida Building Code.

Test reports prepared by Fenestration Testing Lab Inc., Report No.9073, signed and sealed by Idalmis Ortega, P.E.

### **2.3. STRUCTURAL ENGINEERING CALCULATIONS:**

On Series “**VPF 8000 Aluminum Fixed Window – LMI**” for Maximum Pressure Rating vs. Maximum anchor spacing, maximum width and height, and Maximum Glass Size, based on rational and comparative analysis, in accordance with sections 1604 and 1616 of the Florida Building Code. Calculations prepared by Tilteco, Inc., dated 03/09/2017, signed and sealed by Walter A. Tillit, Jr., P.E. Glass verified per ASTM E – 1300 - 9a, per section 2404.1 of the Florida Building Code.

## **3. MISSILE IMPACT RESISTANCE:**

Large Missile Impact resistance is provided per TAS 201 (9 lbs., 50 feet/sec).

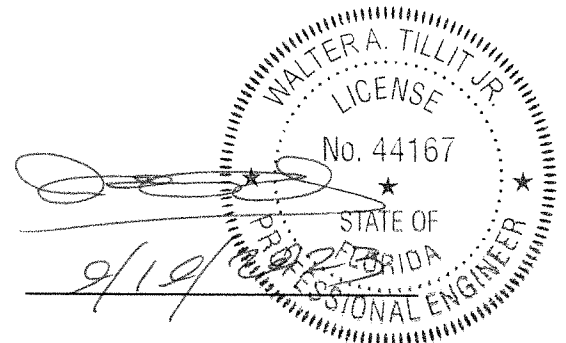
## **4. WIND LOADS RESISTANCE:**

On Series “**VPF 8000 Aluminum Fixed Window – LMI**” has been verified to keep sustain wind pressures. Maximum Glass Panel Dimensions, window dimensions shall be as indicated on Product Evaluation Document (P.E.D.), Drawing No. **23-210**

## **5. INSTALLATION:**

Installation shall be performed strictly in accordance with General Notes # 3 thru 12, indicated on sheet 1 and details indicated on Product Evaluation Document (P.E.D.), drawing No. **23-210**.

Gaskets and setting blocks used at installations comply with section 2411.3.4 of the Florida Building Code as specified on Bill of Materials on Product Evaluation Document (P.E.D.), drawing No. **23-210**.



**6. MATERIAL CHARACTERISTICS AND SPECIFICATIONS:**

Shall be strictly in accordance with General Notes and Components indicated on Product Evaluation Document (P.E.D.), **Drawing No. 23-210.**

Anchor specifications shall be as indicated on sheet 1, of Product Evaluation Document (P.E.D), Drawing No. **23-210.**

**7. LIMITATIONS AND CONDITIONS OF USE:**

7.1. Shall be strictly in compliance with General Notes No. 1 thru 5, indicated on sheet 1 of Product Evaluation Document (P.E.D.), Drawing No. **23-210** prepared by Tilteco, Inc. and signed and sealed by Walter A. Tillit, Jr., P.E.

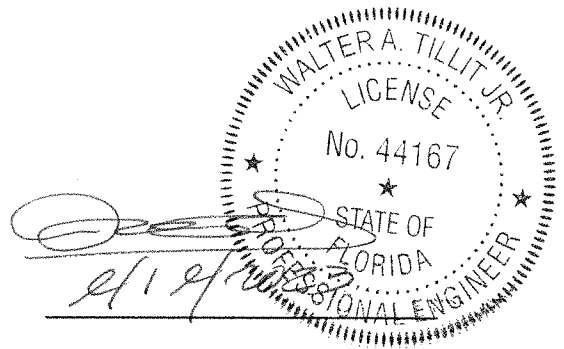
7.2. Product **may** be installed within HIGH VELOCITY HURRICANE ZONES as defined on section 202 of the Florida Building Code or out of it.

7.3. Product shall only be installed into substrates with limitations as indicated on Product Evaluation Document (P.E.D.), Drawing No. **23-210.**

Product Evaluation Report prepared by Walter A. Tillit, Jr., P.E. (Florida License No. 44167), President of Tilteco, Inc. (Florida CA-0026719).

WAT\ma

D:\TILTECO ADMON RECORDS \ P. E. REPORT.23 \ GIG WINDOWS & DOORS \ SERIES VPF 8000 ALUMINUM FIXED WINDOW - LMI \ DRWG # 23-210 \ REPORT # 23-0919.01



**GENERAL NOTES:**

1. SERIES VPF 8000 ALUMINUM FIXED WINDOW—LARGE MISSILE IMPACT RESISTANT, SHOWN ON THIS PRODUCT EVALUATION DOCUMENT (P.E.D.) HAS BEEN VERIFIED FOR COMPLIANCE IN ACCORDANCE WITH THE 2023 (8th EDITION) OF THE FLORIDA BUILDING CODE. SERIES VPF 8000 ALUMINUM FIXED WINDOW MAY BE INSTALLED AT HIGH VELOCITY HURRICANE ZONES OR OUT OF IT.

DESIGN WIND LOADS SHALL BE DETERMINED AS PER SECTION 1620 OF THE ABOVE MENTIONED CODE, USING ASCE 7-22 AND SHALL NOT EXCEED THE MAXIMUM (A.S.D.) DESIGN PRESSURE RATINGS INDICATED ON NOTE 2 BELOW.

IN ORDER TO VERIFY THE ABOVE CONDITION, ULTIMATE DESIGN WIND LOADS DETERMINED PER ASCE 7-22 SHALL BE FIRST REDUCED TO A.S.D. DESIGN WIND LOADS BY MULTIPLYING THEM BY 0.6 IN ORDER TO COMPARE THESE W/ MAX. (A.S.D.) DESIGN PRESSURE RATINGS INDICATED ON NOTE 2 BELOW.

IN ORDER TO VERIFY THAT ANCHORS ON THIS P.E.D., AS TESTED, WERE NOT OVERSTRESSED, A 33% INCREASE IN ALLOWABLE STRESS FOR WIND LOADS WAS NOT USED IN THEIR ANALYSIS. FASTENERS SPACING IN WOOD HAS BEEN DETERMINED IN ACCORDANCE WITH N.D.S. 2018.

THIS PRODUCT'S ADEQUACY FOR IMPACT AND WIND RESISTANCE HAS BEEN VERIFIED IN ACCORDANCE WITH SECTIONS 1626 & 1609.1.2 OF THE ABOVE MENTIONED CODE AS PER PROTOCOLS TAS-201, TAS-202, TAS-203, PER FENESTRATION TESTING LABORATORY REPORT # 9073 AND AS PER SUBMITTED STRUCTURAL CALCULATIONS, PERFORMED AS PER SECTIONS 1616 & 1604 OF THE FLORIDA BUILDING CODE. GLASS HAS BEEN VERIFIED PER ASTM E-1300, PER SECTION 2404.1 OF THE FLORIDA BUILDING CODE.

2. MAXIMUM A.S.D. DESIGN PRESSURE RATINGS FOR THIS WINDOW SHALL BE AS SHOWN ON SHEET 25.

3. SERIES VPF 8000 ALUMINUM FIXED WINDOW WILL NOT REQUIRE A HURRICANE PROTECTION DEVICE.

4. SERIES VPF 8000 ALUMINUM FIXED WINDOW ARE APPROVED FOR AIR AND WATER INFILTRATION.

5. SERIES VPF 8000 ALUMINUM FIXED WINDOW SHALL COMPLY WITH SECTION 2406 OF THE FLORIDA BUILDING CODE.

6. ALL COMPONENTS FOR THIS PRODUCT SHALL BE AS PER BILL OF MATERIAL & COMPONENTS SHEETS 2 & 3.

7. ALL SCREWS USED FOR ASSEMBLY CONNECTIONS (METAL TO METAL) TO BE STAINLESS STEEL 401 AISI SERIES & SHALL COMPLY W/ FLORIDA BUILDING CODE SECTION 2411.3.3.4.

8. WOOD BUCKS BY OTHERS, MUST BE SOUTHERN PINE #2, G=0.55, AND SHALL COMPLY WITH SECTIONS 2411.3.3.3 & 2326 OF THE FLORIDA BUILDING CODE.

(8.1) 2X WOOD BUCKS MUST BE PROPERLY ANCHORED TO EXISTING STRUCTURE TO TRANSFER LOADS TO IT. ANCHORAGE IS INDEPENDENT OF WINDOW FRAME ANCHORAGE. WINDOW FRAME MUST BE SEPARATELY ANCHORED TO 2X WOOD BUCK FOLLOWING DETAILS ON THIS DRAWING.

(8.2) 1X WOOD BUCK (OR ANY WOOD BUCK LESS THAN 2X) MUST BE PROPERLY ANCHORED TO EXISTING STRUCTURE TO TRANSFER LOADS TO IT. WINDOW FRAME ANCHOR SHALL BE USED TO ATTACH 1X WOOD BUCK TO EXISTING STRUCTURE BY DRIVING ANCHOR THRU BOTH WINDOW FRAME & 1X WOOD BUCK INTO EXISTING STRUCTURE W/ PROPER EMBEDMENT AND EDGE DISTANCE AS SHOWN ON THIS DRAWING.

(8.3) WINDOW FRAME WITH ADAPTOR (COMPONENT # ⑥) MAY BE DIRECTLY CONNECTED TO EXISTING STRUCTURE WITH NO NEED OF WOOD BUCKS WHEN MASONRY OPENING IS NOT LARGER THAN ACTUAL WINDOW OVERALL DIMENSIONS. HOWEVER, SHIMS (SEE NOTE 10) MAY BE ALLOWED AT WINDOW FRAME ANCHOR LOCATION IF NEEDED.

9. ANCHOR NOTES: EMBEDMENT AND EDGE DISTANCE ARE BEYOND ANY FINISH.

(A) TO EXISTING POURED CONCRETE: (MIN. f'c = 3000 psi)  
 - 1/4"Ø TAPCON ANCHOR W/ 1 3/4" MIN. EMBEDMENT, 2 1/2" MIN. EDGE DISTANCE & 4" MIN. SPACING, AS MANUFACTURED BY ITW/BUILDEX, INC. (COMPONENT ⑫). SEE NOTE 8.

- 1/4"Ø KWIK-CON II W/ 1 3/4" MIN. EMBEDMENT, 1 1/2" MIN. EDGE DISTANCE & 3" MIN. SPACING, AS MANUFACTURED BY HILTI, INC. (COMPONENT ⑫A). SEE NOTE 8.

(B) TO EXISTING A.S.T.M. C-90 CONCRETE BLOCK WALL.

- 1/4"Ø TAPCON ANCHOR W/ 1" MIN. EMBEDMENT, 2 1/2" MIN. EDGE DISTANCE & 4" MIN. SPACING. AS MANUFACTURED BY ITW/BUILDEX, INC. (COMPONENT ⑫). SEE NOTE 8.

- 1/4"Ø KWIK-CON II W/ 1" MIN. EMBEDMENT, 1 1/2" MIN. EDGE DISTANCE & 3" MIN. SPACING, AS MANUFACTURED BY HILTI, INC. (COMPONENT ⑫A). SEE NOTE 8.

(C) TO EXISTING 2xP.T. WOOD BUCK. OR WOOD STRUCTURE MIN. EDGE DISTANCE (E.D.)=1" & 3" MIN. SPACING.

- 1/4"Ø-14 TAPCON ANCHORS W/ 1 1/2" MIN. PENETRATION, 1" MIN. EDGE DISTANCE & 3" MIN. SPACING. AS MANUFACTURED BY ITW/BUILDEX, INC. (COMPONENT ⑫). SEE NOTE 8.

- 1/4"Ø KWIK-CON II W/ 1 1/2" MIN. EMBEDMENT, 1" MIN. EDGE DISTANCE & 3" MIN. SPACING, AS MANUFACTURED BY HILTI, INC. (COMPONENT ⑫A). SEE NOTE 8.

(D) TO EXISTING MIN. 1/8" THICK ALUMINUM TUBE (6063-T5 ALLOY) MIN. EDGE DISTANCE (E.D.) = 1/2" & 2" MIN. SPACING.

- 1/4"Ø-14 TEK SCREW, AS MANUFACTURED BY ITW/BUILDEX, INC. (COMPONENT ⑬). THREADS SHALL GO THRU THE TUBE THICKNESS.

(E) TO EXISTING MIN. 1/8" THICK STEEL MEMBER (ASTM A-500, A-653 OR A-36) MIN. EDGE DISTANCE (E.D.) = 1/2" & 2" MIN. SPACING.

- 1/4"Ø-14 TEK SCREW, AS MANUFACTURED BY ITW/BUILDEX, INC. (COMPONENT ⑬). THREADS SHALL GO THRU THE FULL TUBE THICKNESS.

10. PROVIDE 1/4" MAX. LOAD BEARING SHIM SPACE (TYP.).

11. ALL ALUMINUM EXTRUSIONS IN CONTACT WITH DISSIMILAR MATERIALS SHALL COMPLY WITH SECTION III-6 OF THE 2020 ALUMINUM DESIGN MANUL

12. (a) THIS P.E.D. PREPARED BY THIS ENGINEER IS GENERIC AND DOES NOT PROVIDE INFORMATION FOR A SITE SPECIFIC PROJECT; i.e. WHERE THE SITE CONDITIONS DEVIATE FROM THE P.E.D.

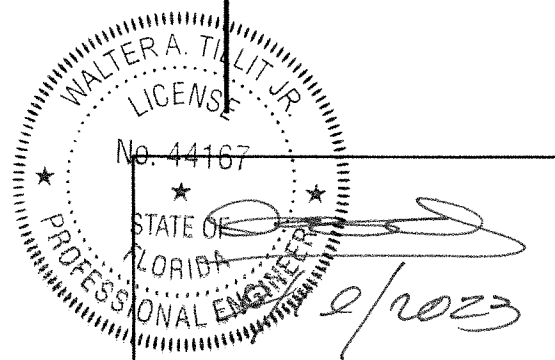
(b) CONTRACTOR TO BE RESPONSIBLE FOR THE SELECTION, PURCHASE AND INSTALLATION INCLUDING LIFE SAFETY OF THIS PRODUCT, BASED ON THIS P.E.D., PROVIDED HE/SHE DOES NOT DEVIATE FROM THE CONDITIONS DETAILED ON THIS DOCUMENT. CONSTRUCTION SAFETY AT SITE IS THE CONTRACTOR'S RESPONSIBILITY.

(c) THIS P.E.D. WILL BE CONSIDERED INVALID IF ALTERED BY ANY MEANS.

(d) ORIGINAL P.E.D. SHALL BEAR THE DATE AND ORIGINAL SEAL AND SIGNATURE OF THE PROFESSIONAL ENGINEER OF RECORD THAT PREPARED IT.

13. SERIES VPF 8000 ALUMINUM FIXED WINDOW MANUFACTURER'S LABEL SHALL BE LOCATED ON A READILY VISIBLE LOCATION AT PRODUCT IN ACCORDANCE WITH SECTION 1709.5 OF THE FLORIDA BUILDING CODE. ONE LABEL SHALL BE PLACED FOR EVERY UNIT.

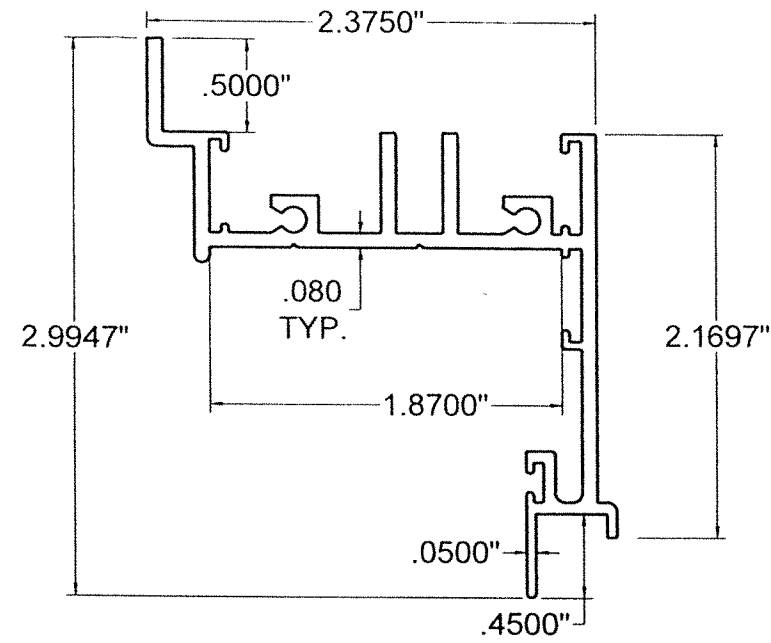
**THIS DRAWING SHALL ONLY BE USED TO OBTAIN PERMITS IN THE STATE OF FLORIDA**



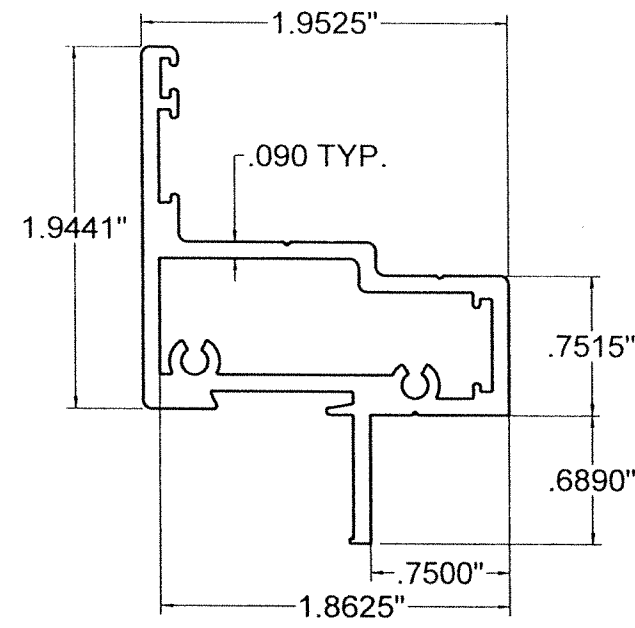
P.E. SEAL/SIGNATURE/DATE

**FLORIDA BUILDING CODE (HIGH & NON HIGH VELOCITY HURRICANE ZONE)**

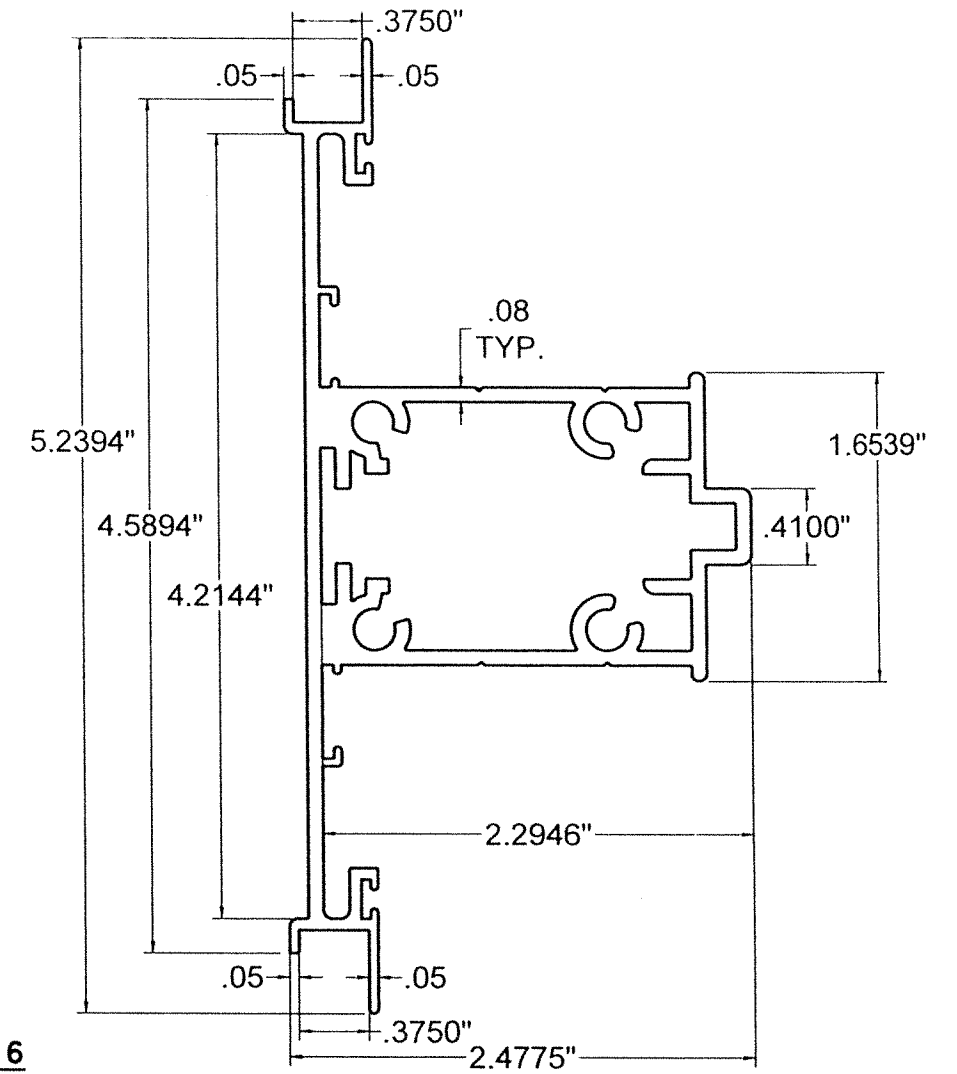
©2023 TILTECO, INC.  TILLIT TESTING & ENGINEERING COMPANY 6355 N.W. 36th St., Ste. 305, VIRGINIA GARDENS, FL 33166 Phone : (305)871-1530 Fax : (305)871-1531 CA-0006719 WALTER A. TILLIT Jr. P.E. FLORIDA Lic. # 44167		SERIES VPF 8000 ALUMINUM FIXED WINDOW—LMI  290 WEST 78 ROAD HIALEAH, FL 33014 PH: (954)226-5555/(305)558-8103 FAX: (305)558-6665 www.gigwindows.com	W.H DRAWN BY: 09/12/2023 DATE: <b>23-210</b> DRAWING No. SHEET 1 OF 31		
REV. NO 1 2	DESCRIPTION OLD 20-279 -	DATE 09/12/23 -	REV. No 3 4	DESCRIPTION - -	DATE - -



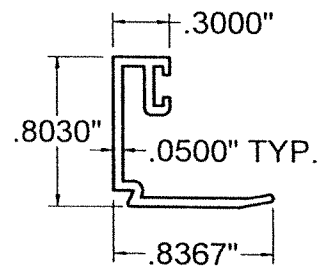
① FRAME



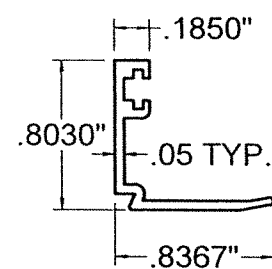
② VENT FRAME



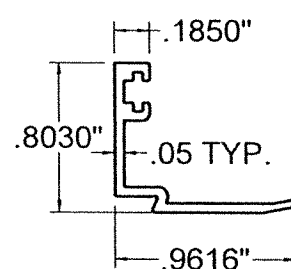
③ CENTER POST



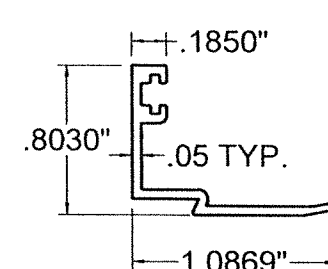
④A GLAZING BEAD 5/16



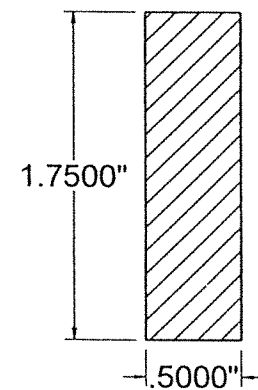
④B GLAZING BEAD 7/16



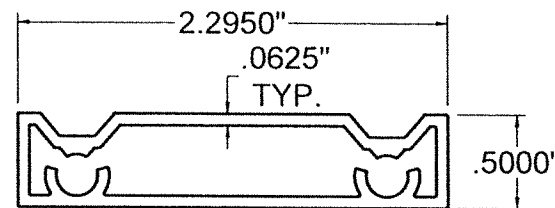
④C GLAZING BEAD 9/16



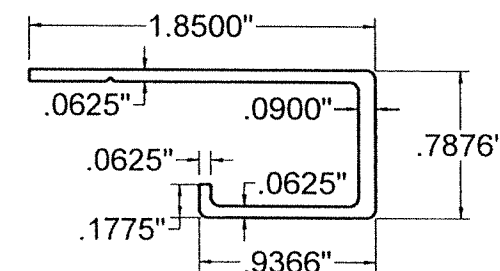
④D GLAZING BEAD 11/16



⑤ ALUM. INSERT BAR



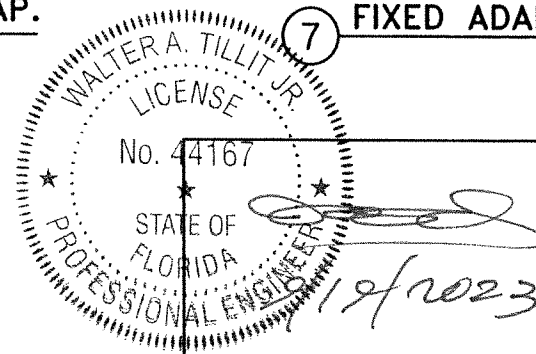
⑥ EQUAL FRAME ADAP.



⑦ FIXED ADAPTOR

# COMPONENTS

SCALE 1"=1"



P.E. SEAL/SIGNATURE/DATE

FLORIDA BUILDING CODE (HIGH & NON HIGH VELOCITY HURRICANE ZONE)

©2023 TILTECO, INC.

**TILTECO INC.**

TILLIT TESTING & ENGINEERING COMPANY  
6355 N.W. 36th St., Ste. 305, VIRGINIA GARDENS, FL 33166  
Phone: (305)871-1530 Fax: (305)871-1531  
CA-0006719  
WALTER A. TILLIT Jr. P.E.  
FLORIDA Lic. # 44167

**SERIES VPF 8000 ALUMINUM  
FIXED WINDOW-LMI**

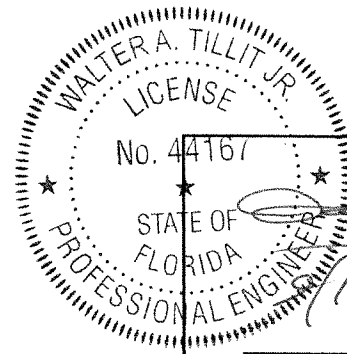
290 WEST 78 ROAD  
HALEAH, FL 33014  
PH: (954)226-5555/(305)558-8103  
FAX: (305)558-6665  
www.gigwindows.com

W.H DRAWN BY:	09/12/2023 DATE:
<b>23-210</b> DRAWING No.	
SHEET 2 OF 31	

REV. NO	DESCRIPTION	DATE	REV. No	DESCRIPTION	DATE
1	OLD 20-279	09/12/23	3	-	-
2	-	-	4	-	-

**BILL OF MATERIALS: FIXED WINDOW (SEE SHEETS 6 & 7)**

COMPONENT #	DESCRIPTION	DIMENSIONS/REMARKS	MATERIAL
1	FRAME	SHEET 2	6063-T6 ALUMINUM
2	VENT FRAME	SHEET 2	6063-T6 ALUMINUM
3	CENTER POST	SHEET 2	6063-T6 ALUMINUM
4A	GLAZING BEAD 5/16"	SHEET 2	6063-T6 ALUMINUM
4B	GLAZING BEAD 7/16"	SHEET 2	6063-T6 ALUMINUM
4C	GLAZING BEAD 9/16"	SHEET 2	6063-T6 ALUMINUM
4D	GLAZING BEAD 11/16"	SHEET 2	6063-T6 ALUMINUM
5	ALUMINUM INSERT BAR	SHEET 2	6063-T6 ALUMINUM
6	EQUAL FRAME ADAPTOR	SHEET 2	6063-T6 ALUMINUM
7	FIXED ADAPTOR	SHEET 2	6063-T6 ALUMINUM
8	FRAME & VENT ASSEMBLY SCREWS	#8-32 x 3/4" P.H. M.S.	ST. STEEL
9	CENTER POST ASSEMBLY SCREWS	#14 x 2-3/4" H.H. TEK SCREWS	STEEL
10	FIXED ASSEMBLY SCREWS TO FRAME	#14 x 3/4" in H.H. TEK SCREWS, FIRST @ 6 1/2" BALANCE @ 10" O.C.	ST. STEEL
11	FIXED ASSEMBLY SCREWS TO VENT	#14 x 1-1/2" F.H. TEK SCREWS, FIRST @ 7 1/2" BALANCE @ 12" O.C.	ST. STEEL
12	1/4"Ø TAPCON (ITW/BUILDEX)	1/4" Ø (SEE NOTE 9/1)	STEEL
12A	1/4"Ø-14 KWIK-CON II (HILTI)	1/4" Ø (SEE NOTE 9/1)	STEEL
13	1/4"Ø-14 TEK SCREW (ITW/BUILDEX)	1/4" Ø (SEE NOTE 9/1)	STEEL
14	CORNER LOCK, 0.050" THK. x 1.7430" x 1.7430" x 0.473"	SULLIVAN ASSOCIATES	ST. STEEL
15	GLAZING BULB	0.250"x0.345" (ULTRAFAB)	VINYL
16	STRUCTURAL SILICONE DOW CORNING 995	ALL AROUND GLASS	SILICONE
17	BUMPER SPPEAR	-	SILICONE
18	NON STRUCTURAL SILICONE DOW CORNING CONTRACTORS, CONCRETE SEALANT (CCS)	AS SHOWN	SILICONE
19	SETTING BLOCK	ULTRAFAB	EPDM

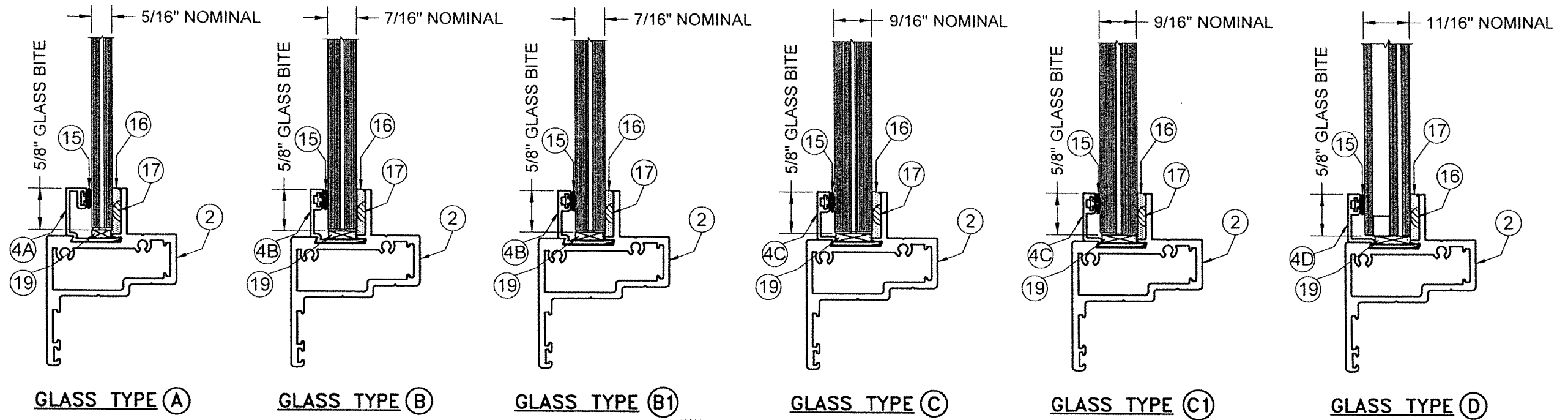


P.E. SEAL/SIGNATURE/DATE

FLORIDA BUILDING CODE (HIGH & NON HIGH VELOCITY HURRICANE ZONE)

©2023 TILTECO, INC.		<b>SERIES VPF 8000 ALUMINUM FIXED WINDOW-LMI</b>		W.H. DRAWN BY:	
 TILLIT TESTING & ENGINEERING COMPANY 6355 N.W. 36th. St., Ste. 305, VIRGINIA GARDENS, FL 33166 Phone : (305)871-1530 . Fax : (305)871-1531 CA-0006719 WALTER A. TILLIT Jr., P.E. FLORIDA Lic. # 44167		 290 WEST 78 ROAD HIALEAH, FL 33014 PH: (954)226-5555/(305)558-8103 FAX: (305)558-6665 www.gigwindows.com		09/12/2023 DATE:	
23-210		DRAWING No.		SHEET 3 OF 31	
REV. NO	DESCRIPTION	DATE	REV. No	DESCRIPTION	DATE
1	OLD 20-279	09/12/23	3	-	-
2	-	-	4	-	-

GLASS SCHEDULE		
COMPONENT #	DESCRIPTION	MATERIAL
(A)	5/16" NOMINAL LAMINATED GLASS W/ 1/8" H.S. GLASS +0.090" TROSIFOL PVB INTERLAYER BY KURARAY AMERICA, INC. + 1/8" H.S. GLASS.	GLASS
(B)	7/16" NOMINAL LAMINATED GLASS W/ 3/16" H.S. GLASS +0.090" TROSIFOL PVB INTERLAYER BY KURARAY AMERICA, INC. + 3/16" H.S. GLASS.	GLASS
(B1)	7/16" NOMINAL LAMINATED GLASS W/ 3/16" H.S. GLASS +0.090" SENTRYGLAS® INTERLAYER BY KURARAY AMERICA, INC. + 3/16" H.S. GLASS.	GLASS
(C)	9/16" NOMINAL LAMINATED GLASS W/ 1/4" H.S. GLASS +0.090" TROSIFOL PVB INTERLAYER BY KURARAY AMERICA, INC. + 1/4" H.S. GLASS.	GLASS
(C1)	9/16" NOMINAL LAMINATED GLASS W/ 1/4" H.S. GLASS +0.090" SENTRYGLAS® INTERLAYER BY KURARAY AMERICA, INC. + 1/4" H.S. GLASS.	GLASS
(D)	11/16" NOMINAL INSULATED-LAMINATED GLASS W/ 1/8" TEMPERED GLASS OUT BOARD -1/4 ARGON SPACER + 1/8 H.S. GLASS +0.090" TROSIFOL PVB INTERLAYER BY KURARAY AMERICA, INC. + 1/8" H.S. GLASS.	GLASS



**GLASS CONFIGURATION**

WALTER A. TILLIT JR.  
 LICENSE No. 44167  
 STATE OF FLORIDA  
 PROFESSIONAL ENGINEER  
 9/19/2023

P.E. SEAL/SIGNATURE/DATE

FLORIDA BUILDING CODE (HIGH & NON HIGH VELOCITY HURRICANE ZONE)

©2023 TILTECO, INC.  
**TILTECO INC.**  
 TILLIT TESTING & ENGINEERING COMPANY  
 6355 N.W. 36th. St., Ste. 305, VIRGINIA GARDENS, FL 33166  
 Phone : (305)871-1530 . Fax : (305)871-1531  
 CA-0006719  
 WALTER A. TILLIT Jr. P.E.  
 FLORIDA Lic. # 44167

**SERIES VPF 8000 ALUMINUM  
 FIXED WINDOW-LMI**

290 WEST 78 ROAD  
 HIALEAH, FL 33014  
 PH: (954)226-5555/(305)558-8103  
 FAX: (305)558-6665  
 www.gigwindows.com

W.H  
 DRAWN BY:  
 09/12/2023  
 DATE:  
**23-210**  
 DRAWING No.  
 SHEET 4 OF 31

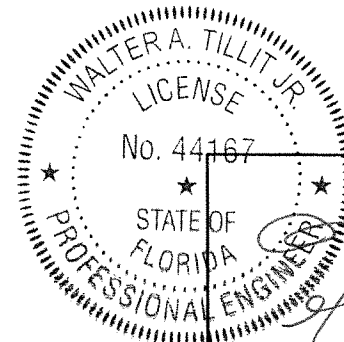
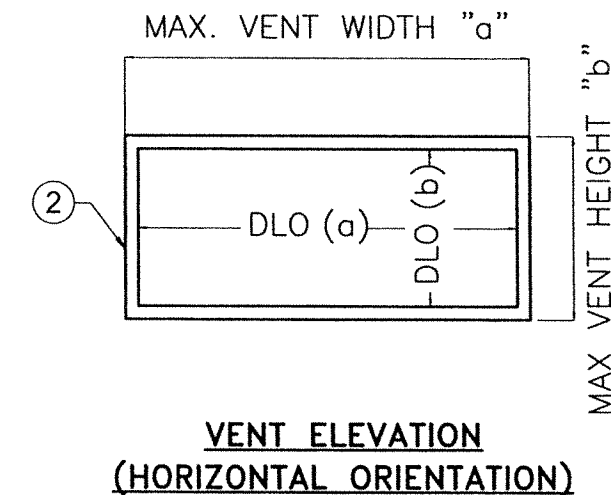
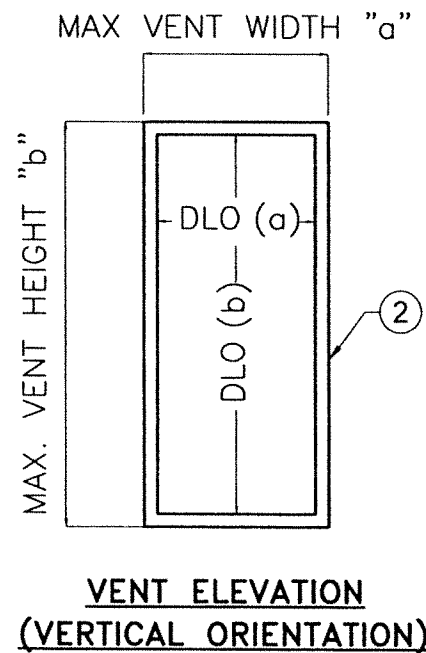
REV. NO	DESCRIPTION	DATE	REV. No	DESCRIPTION	DATE
1	OLD 20-279	09/12/23	3	-	-
2	-	-	4	-	-

**MAX. A.S.D. PRESSURE RATING FOR A GIVEN GLASS TYPE AND  
CORRESPONDING MAX. VENT WIDTHS AND VENT HEIGHTS AT  
VERTICAL ORIENTATION**

GLASS TYPE	MAX. A.S.D. DESIGN PRESSURE RATING	MAX. VENT WIDTH "a"	MAX. VENT HEIGHT "b"	MAX. D.L.O. WIDTH (a)	MAX. D.L.O. HEIGHT (b)
(A), (B), (C), (D)	+72.0 , -72.0 psf	41"	72 9/16"	35 5/8"	67 3/16"
(B1), (C1)	+105.0 , -105.0 psf.	41"	53 1/2"	35 5/8"	48 1/16"
(B1), (C1)	+110.0 , -110.0 psf.	39"	56 1/2"	33 5/8"	51 1/16"
(B1), (C1)	+120.0 , -120.0 psf.	36"	61 1/2"	30 5/8"	56 1/16"

**MAX. A.S.D. PRESSURE RATING FOR A GIVEN GLASS TYPE AND  
CORRESPONDING MAX. VENT WIDTHS AND VENT HEIGHTS AT  
HORIZONTAL ORIENTATION**

GLASS TYPE	MAX. A.S.D. DESIGN PRESSURE RATING	MAX. VENT WIDTH "a"	MAX. VENT HEIGHT "b"	MAX. D.L.O. WIDTH (a)	MAX. D.L.O. HEIGHT (b)
(A), (B), (C), (D)	+72.0 , -72.0 psf	72 9/16"	41"	67 3/16"	35 5/8"
(B1), (C1)	+105.0 , -105.0 psf.	61 1/2"	36"	56 1/16"	30 5/8"
(B1), (C1)	+110.0 , -110.0 psf.	56 1/2"	39"	51 1/16"	33 5/8"
(B1), (C1)	+120.0 , -120.0 psf.	61 1/2"	36"	56 1/16"	30 5/8"



P.E. SEAL/SIGNATURE/DATE

**FLORIDA BUILDING CODE (HIGH & NON HIGH VELOCITY HURRICANE ZONE)**

©2023 TILTECO, INC.



TILLIT TESTING & ENGINEERING COMPANY  
6355 N.W. 36th St., Ste. 305, VIRGINIA GARDENS, FL 33166  
Phone : (305)871-1530 Fax : (305)871-1531  
CA-0006719  
WALTER A. TILLIT Jr. P.E.  
FLORIDA Lic. # 44167

**SERIES VPF 8000 ALUMINUM  
FIXED WINDOW-LMI**



290 WEST 78 ROAD  
HALEAH, FL 33014  
PH: (954)226-5555/(305)558-8103  
FAX: (305)558-6665  
www.gigwindows.com

W.H  
DRAWN BY:

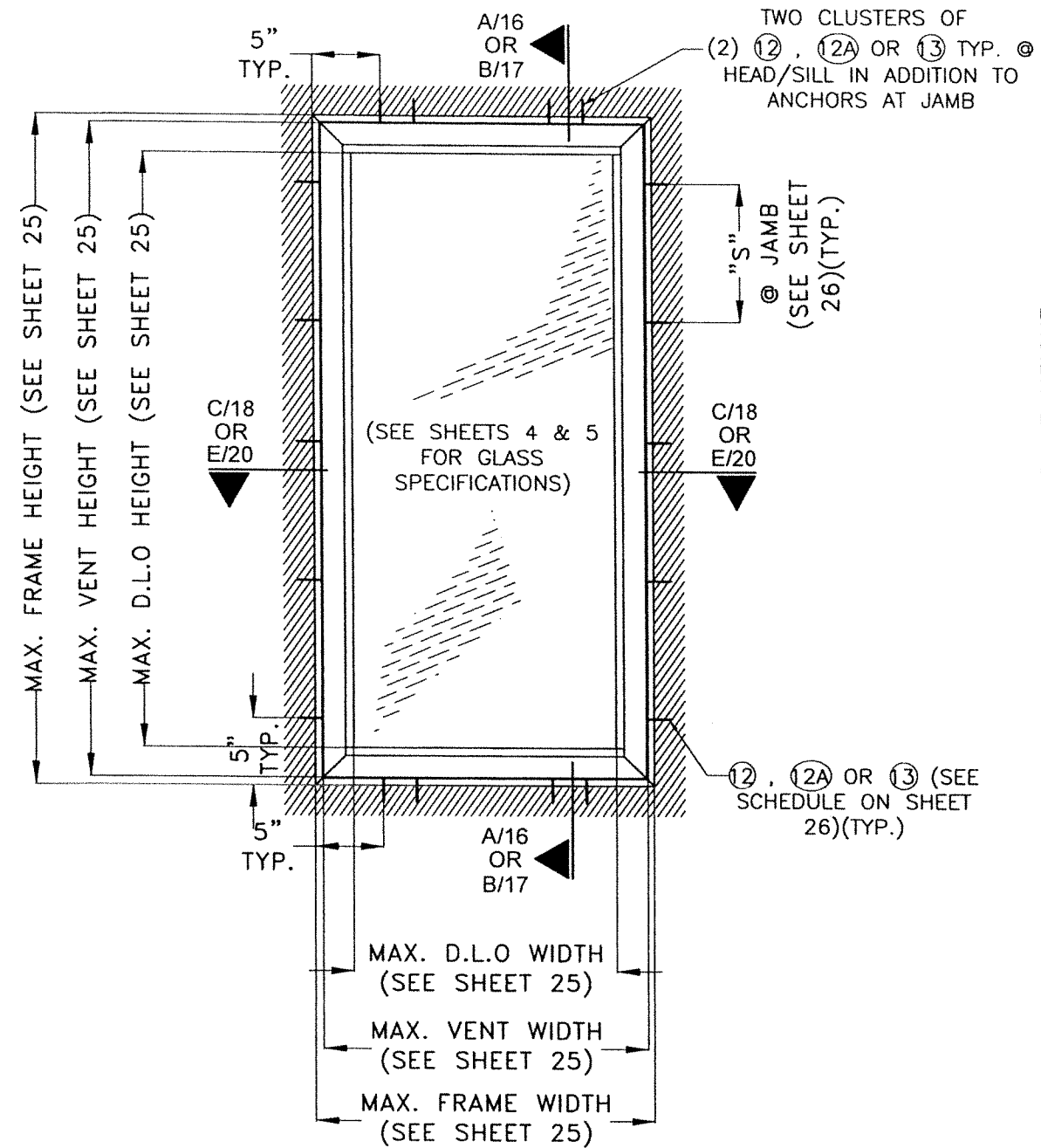
09/12/2023  
DATE:

**23-210**

DRAWING No.

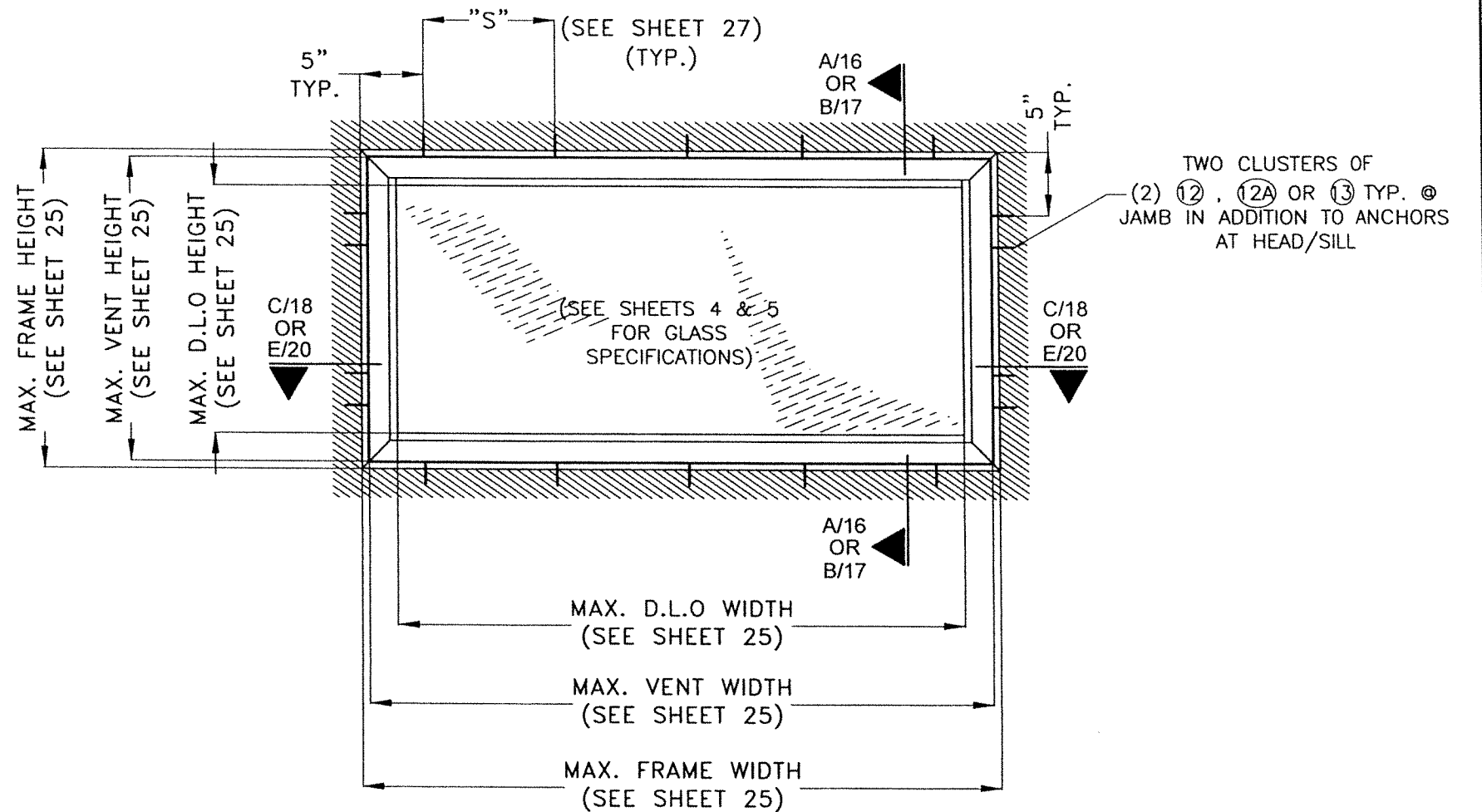
REV. NO	DESCRIPTION	DATE	REV. No	DESCRIPTION	DATE
1	OLD 20-279	09/12/23	3	-	-
2	-	-	4	-	-

SHEET 5 OF 31

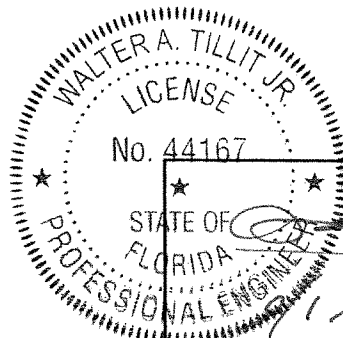


**TYPICAL EXTERIOR ELEVATION  
(VERTICAL ORIENTATION)  
FIXED WINDOW W/ ATTACHED JAMBS\***  
SCALE: 3/4"=1'-0"

\* NOTE: JAMBS MAY ALSO BE ATTACHED ONLY ON ONE SIDE & FREE STANDING ON THE OTHER SIDE (W/ ADAPTOR # 6) AS PER DETAILS ON SHEETS 6, 7.



**TYPICAL EXTERIOR ELEVATION  
(HORIZONTAL ORIENTATION)  
FIXED WINDOW W/ ATTACHED HEAD/SILL\***  
SCALE: 3/4"=1'-0"



P.E. SEAL/SIGNATURE/DATE

FLORIDA BUILDING CODE (HIGH & NON HIGH VELOCITY HURRICANE ZONE)

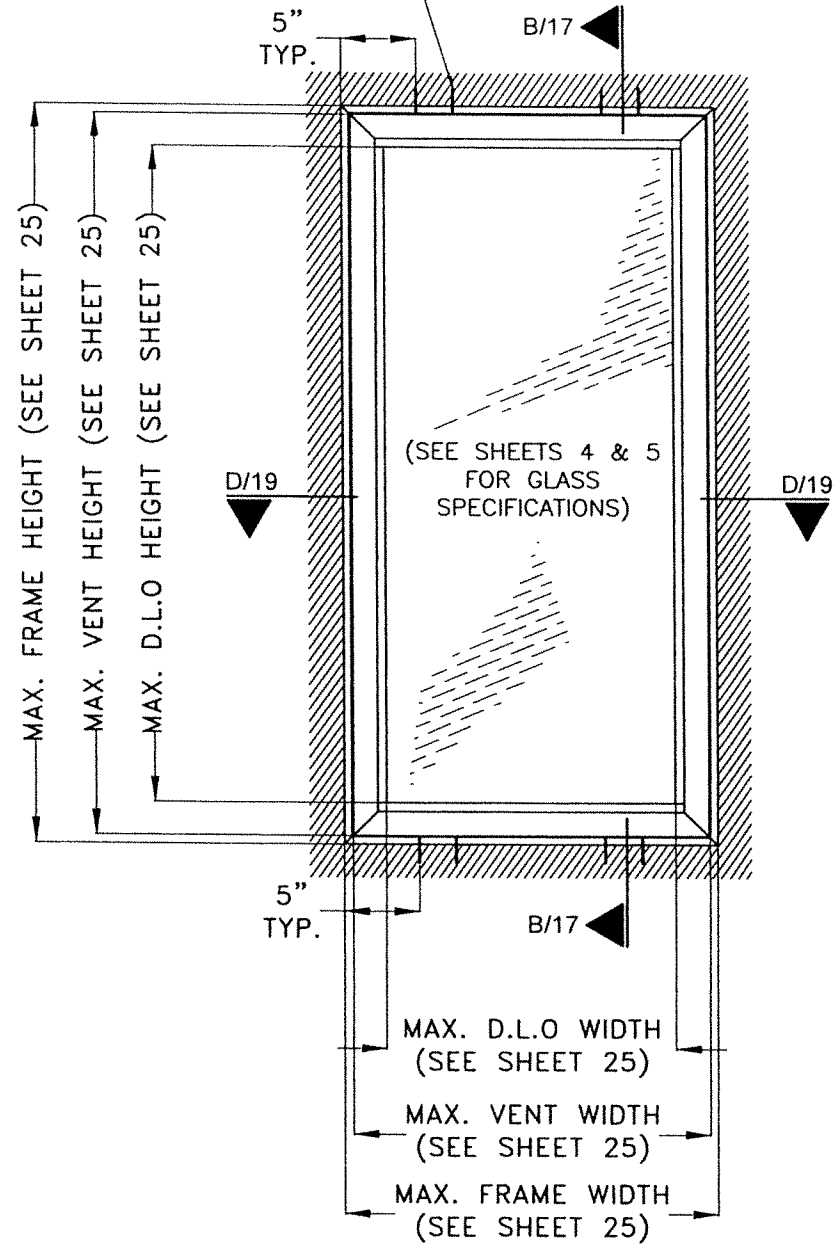
©2023 TILTECO, INC.

**TILTECO inc.**

TILLIT TESTING & ENGINEERING COMPANY  
6355 N.W. 36th. St., Ste. 305, VIRGINIA GARDENS, FL. 33166  
Phone : (305)871-1530 . Fax : (305)871-1531  
CA-0006719  
WALTER A. TILLIT Jr. P.E.  
FLORIDA Lic. # 44167

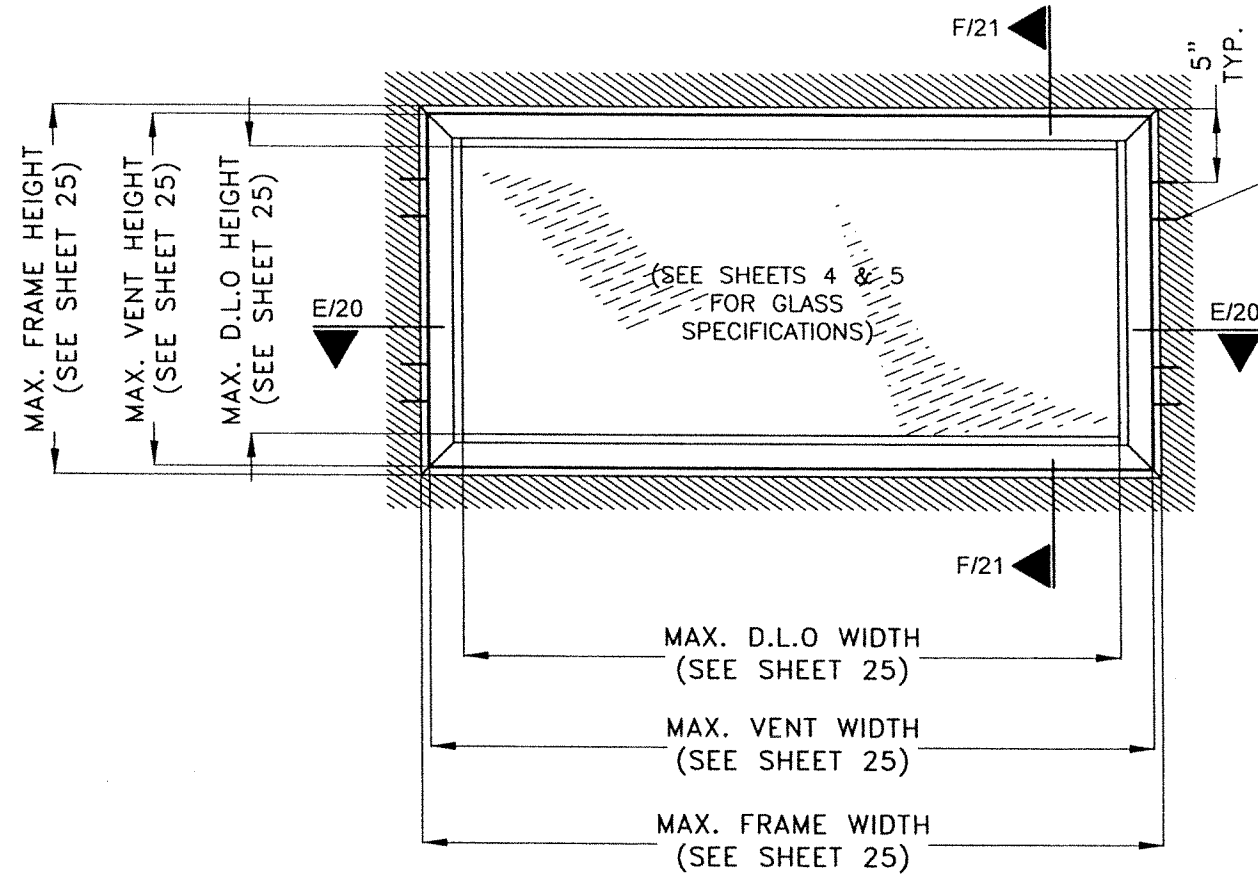
SERIES VPF 8000 ALUMINUM FIXED WINDOW-LMI						W.H DRAWN BY:
						09/12/2023 DATE:
290 WEST 78 ROAD HALEAH, FL. 33014 PH: (954)226-5555/(305)558-8103 FAX: (305)558-6665 www.gigwindows.com						<b>23-210</b> DRAWING No.
REV. NO	DESCRIPTION	DATE	REV. No	DESCRIPTION	DATE	SHEET 6 OF 31
1	OLD 20-279	09/12/23	3	-	-	
2	-	-	4	-	-	

TWO CLUSTERS OF "n" ANCHORS (12), (12A) OR (13) TYP. @ HEAD/SILL, SEE SCHEDULE ON SHEET 28



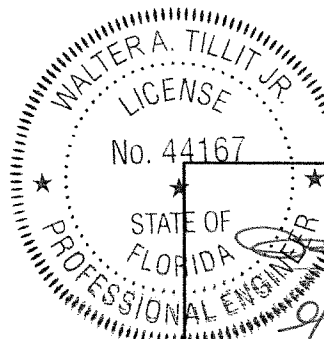
**TYPICAL EXTERIOR ELEVATION  
(VERTICAL ORIENTATION)  
FIXED WINDOW W/ NOT ATTACHED JAMBS\***  
SCALE: 3/4"=1'-0"

\* NOTE: JAMBS MAY ALSO BE ATTACHED ONLY ON ONE SIDE & FREE STANDING ON THE OTHER SIDE (W/ ADAPTOR # (6)) AS PER DETAILS ON SHEETS 6, 7.



TWO CLUSTERS OF "n" ANCHORS EA. CLUSTER, (12), (12A) OR (13) TYP. @ JAMBS, SEE SCHEDULE ON SHEET 29

**TYPICAL EXTERIOR ELEVATION  
(HORIZONTAL ORIENTATION)  
FIXED WINDOW W/ NOT ATTACHED HEAD/SILL\***  
SCALE: 3/4"=1'-0"




P.E. SEAL/SIGNATURE/DATE

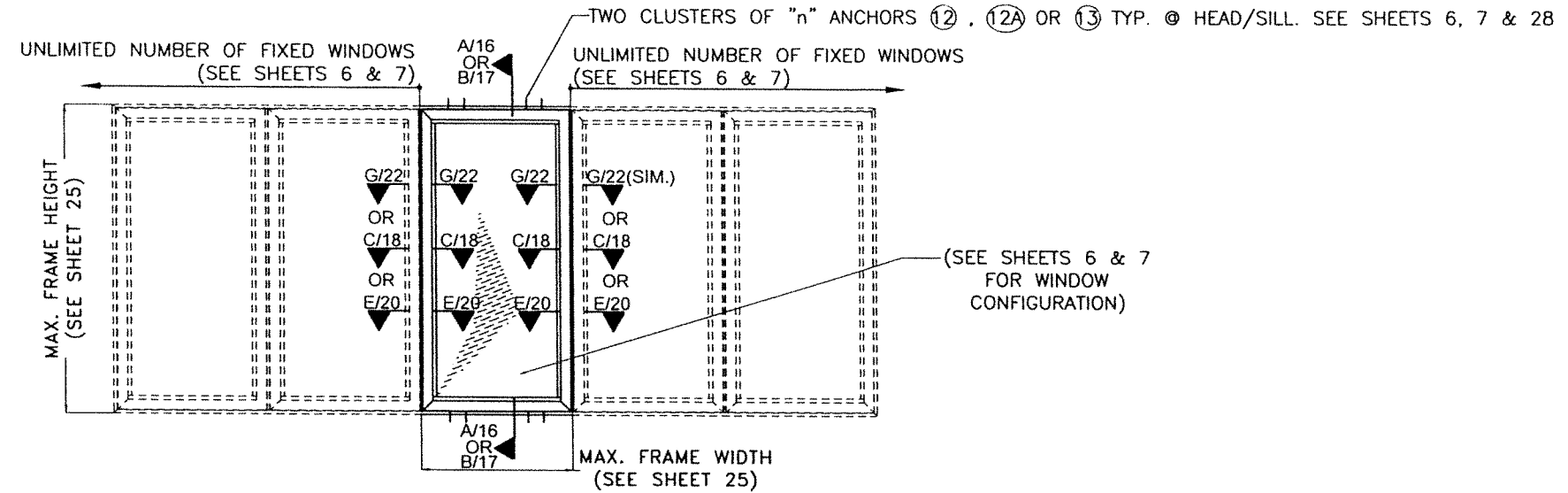
FLORIDA BUILDING CODE (HIGH & NON HIGH VELOCITY HURRICANE ZONE)

©2023 TILTECO, INC.

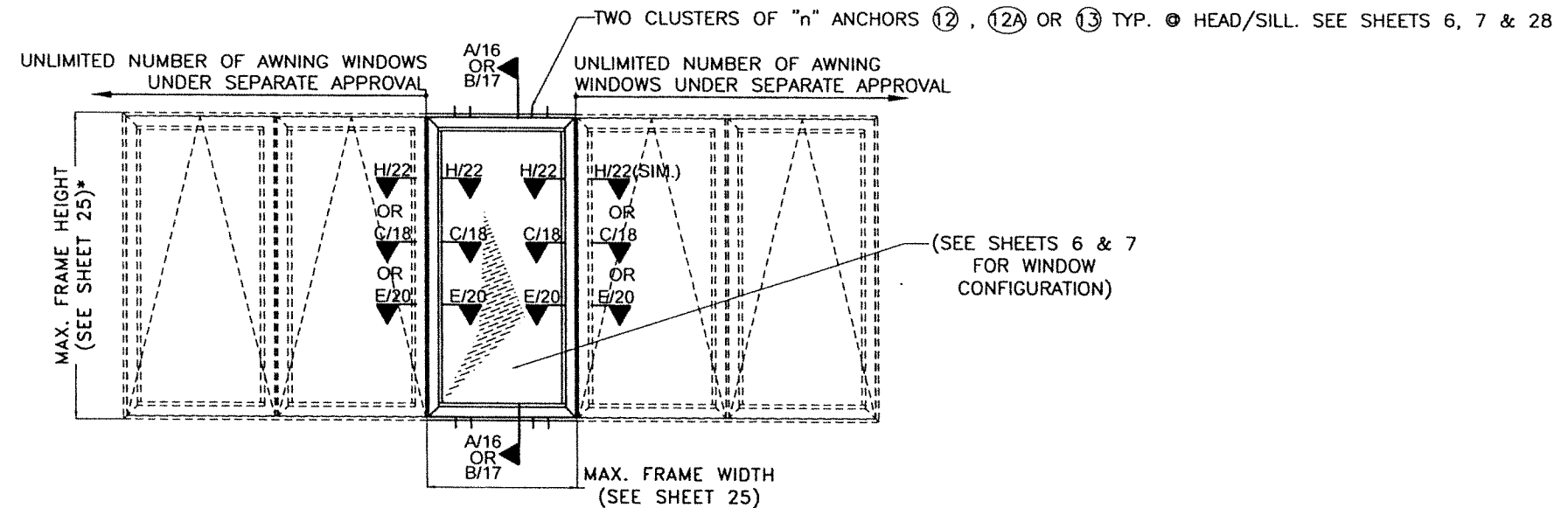
**TILTECO inc.**

TILLIT TESTING & ENGINEERING COMPANY  
6355 N.W. 36th St., Ste. 305, VIRGINIA GARDENS, FL 33166  
Phone: (305)871-1530 Fax: (305)871-1531  
CA-0006719  
WALTER A. TILLIT Jr. P.E.  
FLORIDA Lic. # 44167

<b>SERIES VPF 8000 ALUMINUM FIXED WINDOW-LMI</b>				W.H DRAWN BY:	
 290 WEST 78 ROAD HALEAH, FL 33014 PH: (954)226-5555/(305)558-8103 FAX: (305)558-6665 www.gigwindows.com				09/12/2023 DATE:	
				<b>23-210</b> DRAWING No.	
REV. NO	DESCRIPTION	DATE	REV. No	DESCRIPTION	DATE
1	OLD 20-279	09/12/23	3	-	-
2	-	-	4	-	-



**QUALIFIED CONFIGURATIONS FOR VERTICALLY ORIENTED FIXED WINDOW W/ ACCOMPANYING VERTICALLY ORIENTED FIXED WINDOWS**  
**TYPICAL EXTERIOR ELEVATIONS**  
 SCALE 3/8"=1'-0"



**QUALIFIED CONFIGURATIONS FOR VERTICALLY ORIENTED FIXED WINDOW W/ ACCOMPANYING VERTICALLY ORIENTED AWNING WINDOWS (UNDER SEPARATE APPROVAL)**  
**TYPICAL EXTERIOR ELEVATION**  
 SCALE 3/8"=1'-0"

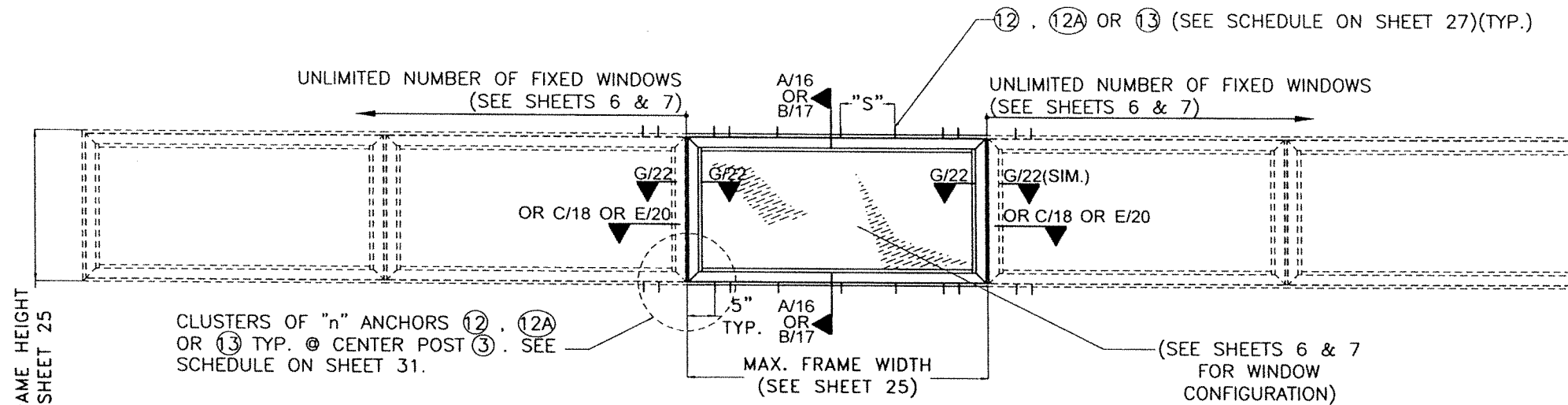
\* MAX. FRAME HEIGHT & FRAME WIDTH OF ACCOMPANYING AWNING WINDOW SHALL BE AS PER SEPARATE APPROVAL AND THE SHORTEST FRAME HEIGHT OF EITHER WINDOW TYPE SHALL BE USED.

WALTER A. TILLIT JR.  
 LICENSE No. 44167  
 STATE OF FLORIDA  
 PROFESSIONAL ENGINEER  
 09/12/2023  
 P.E. SEAL/SIGNATURE/DATE

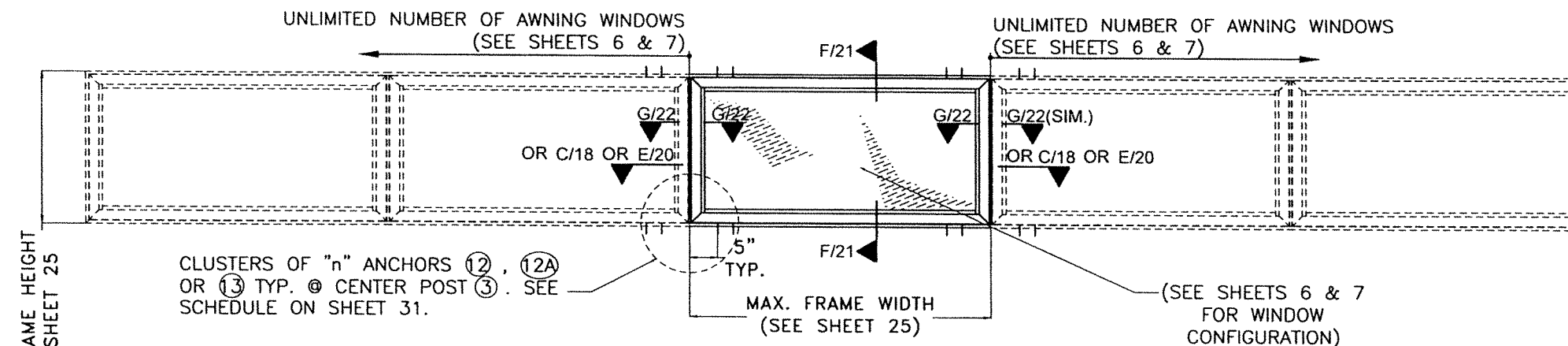
FLORIDA BUILDING CODE (HIGH & NON HIGH VELOCITY HURRICANE ZONE)

©2023 TILTECO, INC.  
**TILTECO inc.**  
 TILLIT TESTING & ENGINEERING COMPANY  
 6355 N.W. 36th St., Ste. 305, VIRGINIA GARDENS, FL 33166  
 Phone : (305)871-1530 · Fax : (305)871-1531  
 CA-0006719  
 WALTER A. TILLIT Jr., P.E.  
 FLORIDA Lic. # 44167

SERIES VPF 8000 ALUMINUM FIXED WINDOW-LMI				W.H DRAWN BY:	
290 WEST 78 ROAD HIALEAH, FL 33014 PH: (954)226-5555/(305)558-8103 FAX: (305)558-6665 www.gigwindows.com				09/12/2023 DATE:	
				23-210 DRAWING No.	
REV. NO	DESCRIPTION	DATE	REV. No	DESCRIPTION	DATE
1	OLD 20-279	09/12/23	3	-	-
2	-	-	4	-	-



**QUALIFIED CONFIGURATIONS FOR HORIZONTALLY ORIENTED FIXED WINDOW W/ ATTACHED HEAD & SILL W/ ACCOMPANYING HORIZONTALLY ORIENTED FIXED WINDOWS**  
**TYPICAL EXTERIOR ELEVATIONS**  
 SCALE 3/8"=1'-0"



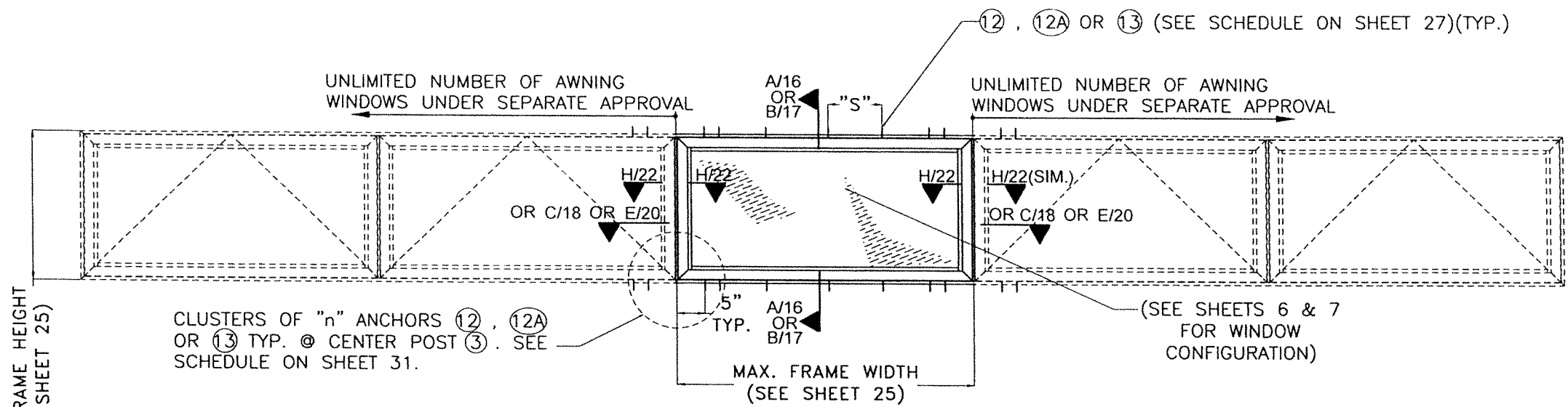
**QUALIFIED CONFIGURATIONS FOR HORIZONTALLY ORIENTED FIXED WINDOW W/ NOT ATTACHED HEAD & SILL W/ ACCOMPANYING HORIZONTALLY ORIENTED FIXED WINDOWS**  
**TYPICAL EXTERIOR ELEVATIONS**  
 SCALE 3/8"=1'-0"

P.E. SEAL/SIGNATURE/DATE

FLORIDA BUILDING CODE (HIGH & NON HIGH VELOCITY HURRICANE ZONE)

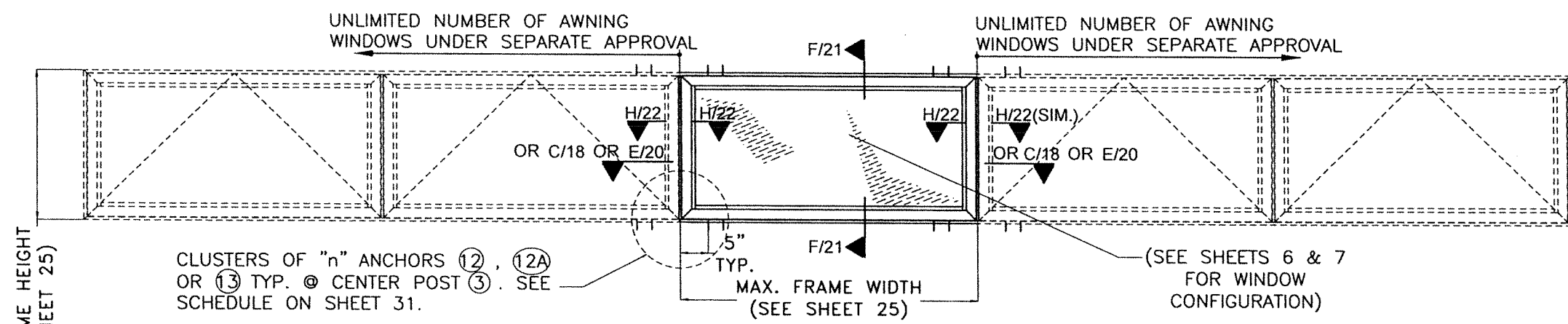
©2023 TILTECO, INC.  
  
 TILLIT TESTING & ENGINEERING COMPANY  
 6355 N.W. 36th St., Ste. 305, VIRGINIA GARDENS, FL 33166  
 Phone : (305)871-1530 . Fax : (305)871-1531  
 CA-0006719  
 WALTER A. TILLIT Jr., P.E.  
 FLORIDA Lic. # 44167

<b>SERIES VPF 8000 ALUMINUM FIXED WINDOW-LMI</b>				W.H DRAWN BY:
 290 WEST 78 ROAD HIALEAH, FL 33014 PH: (954)226-5555/(305)558-8103 FAX: (305)558-6665 www.gigwindows.com				09/12/2023 DATE:
<b>23-210</b>				<b>DRAWING No.</b>
REV. NO	DESCRIPTION	DATE	REV. No	DATE
1	OLD 20-279	09/12/23	3	-
2	-	-	4	-
SHEET 9 OF 31				



**QUALIFIED CONFIGURATIONS FOR HORIZONTALLY ORIENTED FIXED WINDOW  
W/ ATTACHED HEAD & SILL W/ ACCOMPANYING HORIZONTALLY ORIENTED  
AWNING WINDOWS (UNDER SEPARATE APPROVAL)  
TYPICAL EXTERIOR ELEVATIONS**

SCALE 3/8"=1'-0"



**QUALIFIED CONFIGURATIONS FOR HORIZONTALLY ORIENTED FIXED WINDOW W/  
NOT ATTACHED HEAD & SILL W/ ACCOMPANYING HORIZONTALLY ORIENTED  
AWNING WINDOWS (UNDER SEPARATE APPROVAL)  
TYPICAL EXTERIOR ELEVATIONS**

SCALE 3/8"=1'-0"

WALTER A. TILLIT JR.  
 LICENSE No. 44167  
 STATE OF FLORIDA  
 PROFESSIONAL ENGINEER  
 9/12/23  
 P.E. SEAL/SIGNATURE/DATE

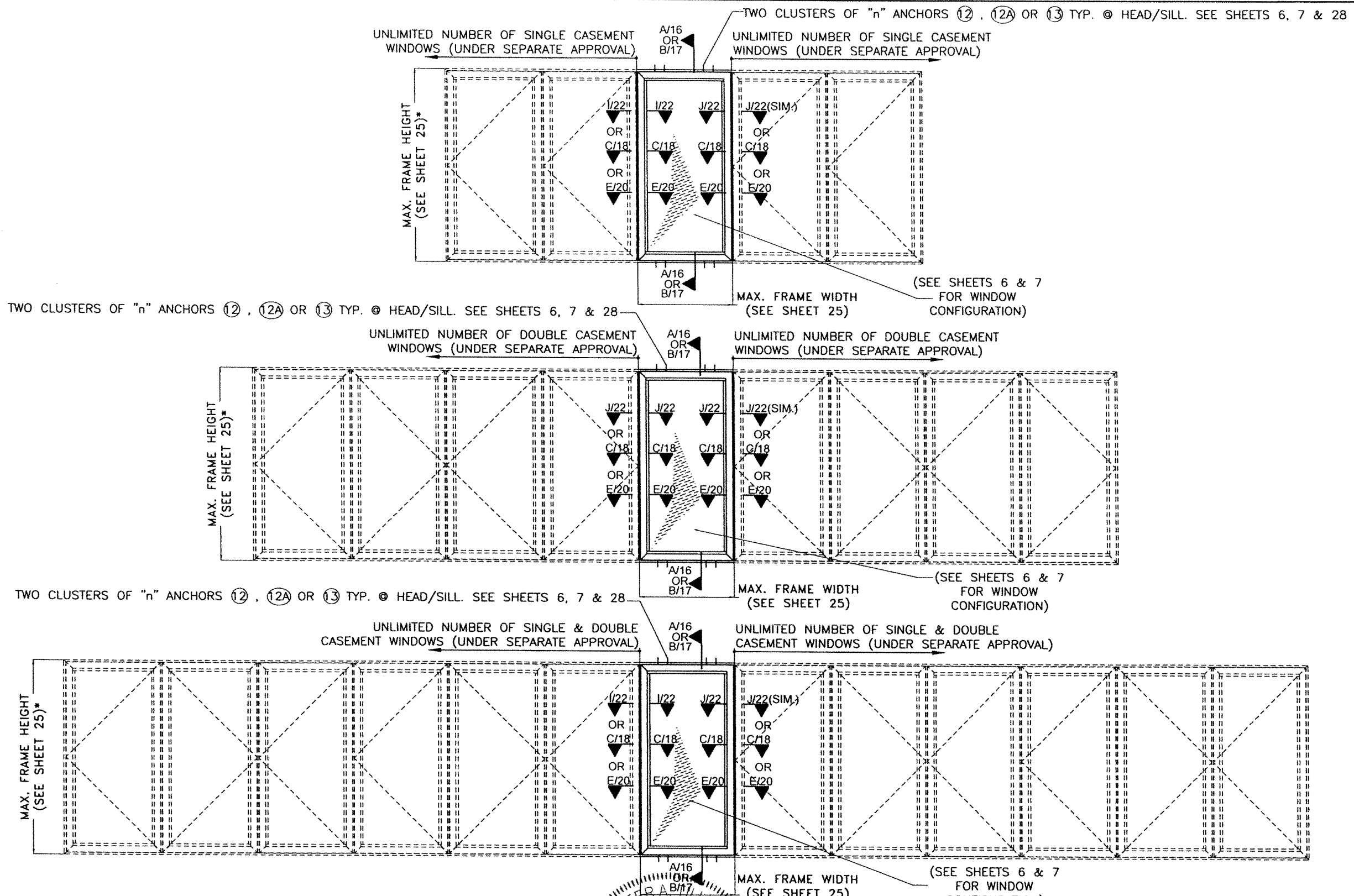
FLORIDA BUILDING CODE (HIGH & NON HIGH VELOCITY HURRICANE ZONE)

©2023 TILTECO, INC.  
  
 TILLIT TESTING & ENGINEERING COMPANY  
 6355 N.W. 38th. St., Ste. 305, VIRGINIA GARDENS, FL 33166  
 Phone : (305)871-1530 Fax : (305)871-1531  
 CA-0006719  
 WALTER A. TILLIT Jr. P.E.  
 FLORIDA Lic. # 44167

**SERIES VPF 8000 ALUMINUM  
FIXED WINDOW-LMI**  
  
 290 WEST 78 ROAD  
 HIALEAH, FL 33014  
 PH: (954)226-5555/(305)558-8103  
 FAX: (305)558-6665  
 www.gigwindows.com

W.H  
 DRAWN BY:  
 09/12/2023  
 DATE:  
**23-210**  
 DRAWING No.  
 SHEET 10 OF 31

REV. NO	DESCRIPTION	DATE	REV. No	DESCRIPTION	DATE
1	OLD 20-279	09/12/23	3	-	-
2	-	-	4	-	-



**QUALIFIED CONFIGURATIONS FOR VERTICALLY ORIENTED FIXED WINDOW W/ ACCOMPANYING SINGLE, DOUBLE OR COMBINATION OF SINGLE AND DOUBLE CASEMENT WINDOWS (UNDER SEPARATE APPROVAL)**  
**TYPICAL EXTERIOR ELEVATIONS**  
 SCALE 3/8"=1'-0"

\* MAX. FRAME HEIGHT & FRAME WIDTH OF ACCOMPANYING CASEMENT WINDOWS SHALL BE AS PER SEPARATE APPROVAL AND THE SHORTEST FRAME HEIGHT OF EITHER WINDOW TYPE SHALL BE USED.

WALTER A. TILLIT JR.  
 No. 44167  
 STATE OF FLORIDA  
 PROFESSIONAL ENGINEER  
 9/2023  
 P.E. SEAL/SIGNATURE/DATE

FLORIDA BUILDING CODE (HIGH & NON HIGH VELOCITY HURRICANE ZONE)

©2023 TILTECO, INC.

**TILTECO INC.**

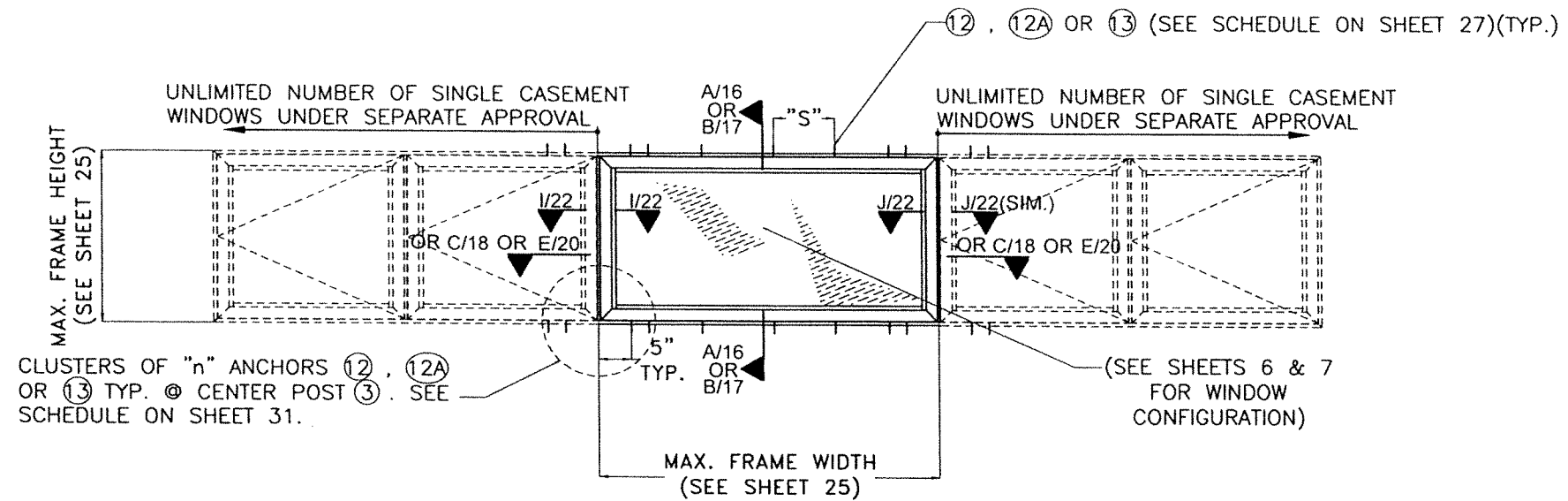
TILLIT TESTING & ENGINEERING COMPANY  
 6355 N.W. 36th St., Ste. 305, VIRGINIA GARDENS, FL 33166  
 Phone : (305)871-1530 . Fax : (305)871-1531  
 CA-0006719  
 WALTER A. TILLIT Jr., P.E.  
 FLORIDA Lic. # 44167

**SERIES VPF 8000 ALUMINUM FIXED WINDOW-LMI**

290 WEST 78 ROAD  
 HIALEAH, FL 33014  
 PH: (954)226-5555/(305)558-8103  
 FAX: (305)558-6665  
 www.gigwindows.com

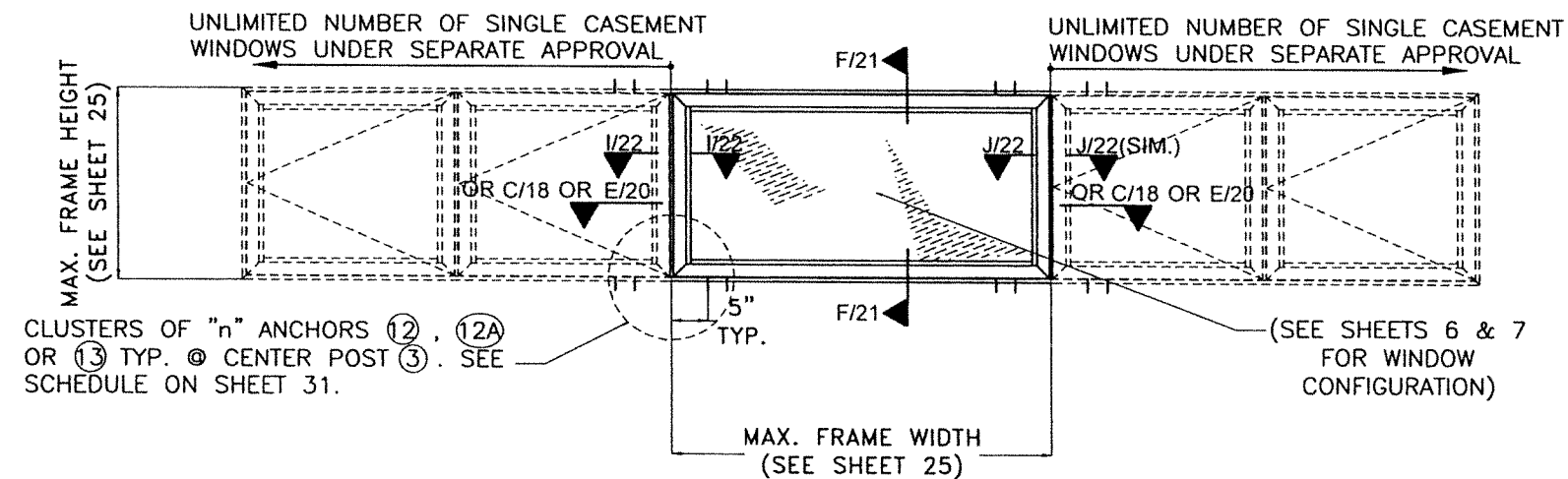
REV. NO	DESCRIPTION	DATE	REV. No	DESCRIPTION	DATE
1	OLD 20-279	09/12/23	3	-	-
2	-	-	4	-	-

W.H. DRAWN BY:  
 DATE: 09/12/2023  
**23-210**  
 DRAWING No.  
 SHEET 11 OF 31



**QUALIFIED CONFIGURATIONS FOR HORIZONTALLY ORIENTED FIXED WINDOW W/ ATTACHED HEAD  
& SILL W/ ACCOMPANYING SINGLE CASEMENT WINDOWS (UNDER SEPARATE APPROVAL)  
TYPICAL EXTERIOR ELEVATIONS**

SCALE 3/8"=1'-0"



**QUALIFIED CONFIGURATIONS FOR HORIZONTALLY ORIENTED FIXED WINDOW W/ NOT ATTACHED HEAD  
& SILL W/ ACCOMPANYING SINGLE CASEMENT WINDOWS (UNDER SEPARATE APPROVAL)  
TYPICAL EXTERIOR ELEVATIONS**

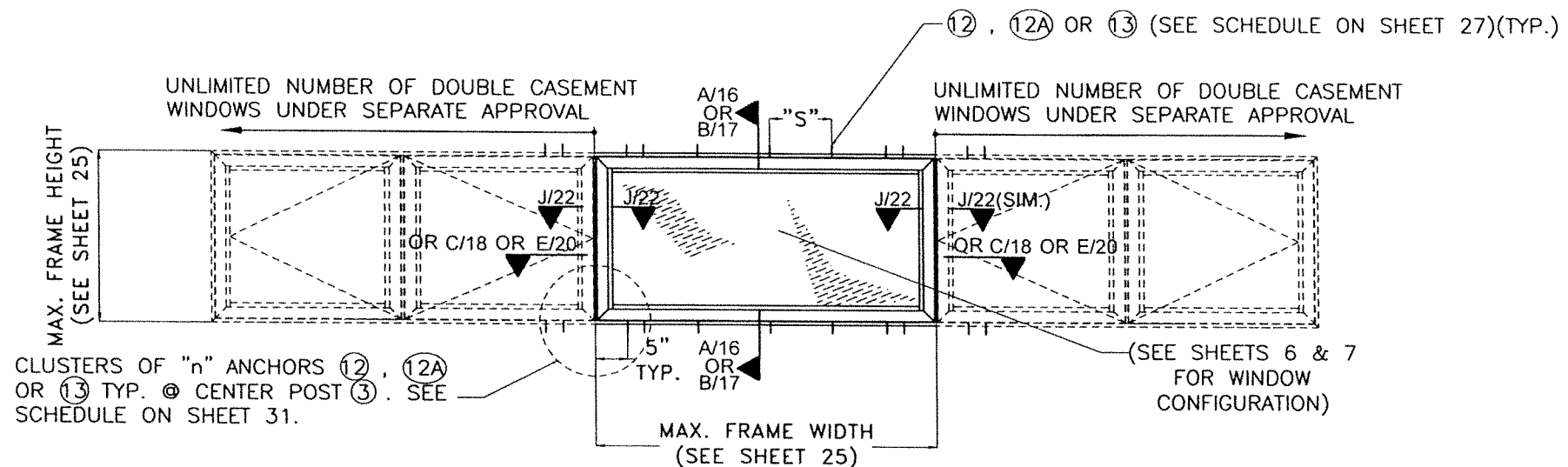
SCALE 3/8"=1'-0"

WALTERS TILLIT JR.  
 LICENSE  
 No. 44167  
 STATE OF FLORIDA  
 PROFESSIONAL ENGINEER  
 P.E. SEAL/SIGNATURE/DATE

FLORIDA BUILDING CODE (HIGH & NON HIGH VELOCITY HURRICANE ZONE)

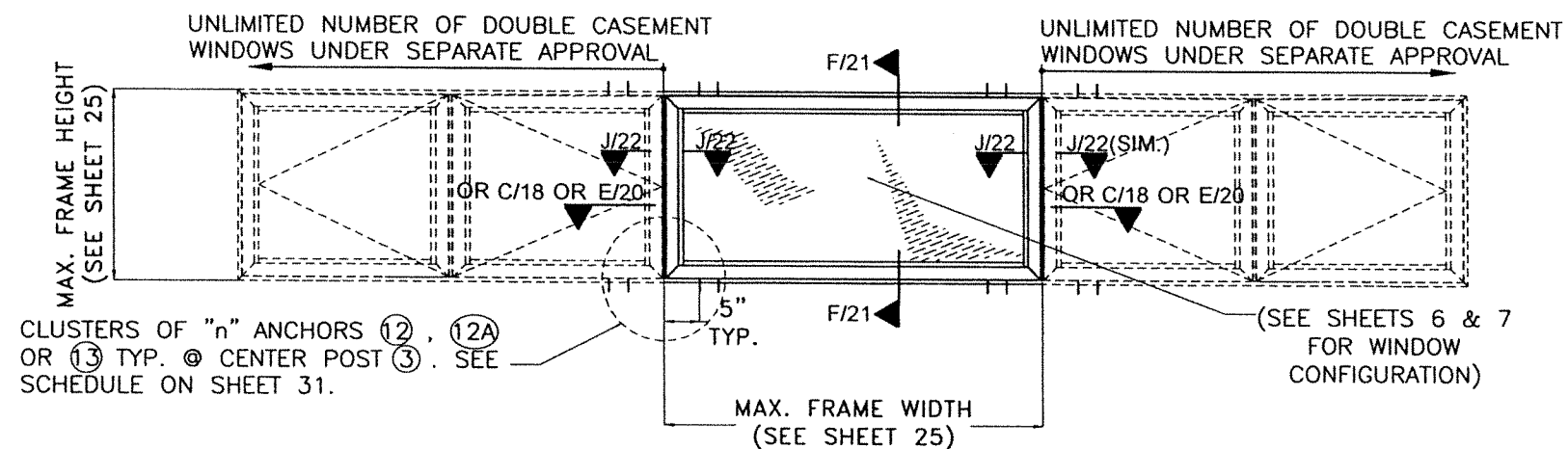
©2023 TILTECO, INC.  
  
 TILLIT TESTING & ENGINEERING COMPANY  
 6355 N.W. 36th St., Ste. 305, VIRGINIA GARDENS, FL 33166  
 Phone : (305)871-1530 . Fax : (305)871-1531  
 CA-0006719  
 WALTER A. TILLIT Jr. P.E.  
 FLORIDA Lic. # 44167

SERIES VPF 8000 ALUMINUM FIXED WINDOW-LMI						W.H DRAWN BY:
 290 WEST 78 ROAD HIALEAH, FL 33014 PH: (954)226-5555/(305)558-8103 FAX: (305)558-6665 www.gigwindows.com						09/12/2023
						DATE:
						<b>23-210</b>
						DRAWING No.
REV. No	DESCRIPTION	DATE	REV. No	DESCRIPTION	DATE	SHEET 12 OF 31
1	OLD 20-279	09/12/23	3	-	-	
2	-	-	4	-	-	



**QUALIFIED CONFIGURATIONS FOR HORIZONTALLY ORIENTED FIXED WINDOW W/ ATTACHED HEAD  
& SILL W/ ACCOMPANYING DOUBLE CASEMENT WINDOWS (UNDER SEPARATE APPROVAL)  
TYPICAL EXTERIOR ELEVATIONS**

SCALE 3/8"=1'-0"



**QUALIFIED CONFIGURATIONS FOR HORIZONTALLY ORIENTED FIXED WINDOW W/ NOT ATTACHED HEAD  
& SILL W/ ACCOMPANYING DOUBLE CASEMENT WINDOWS (UNDER SEPARATE APPROVAL)  
TYPICAL EXTERIOR ELEVATIONS**

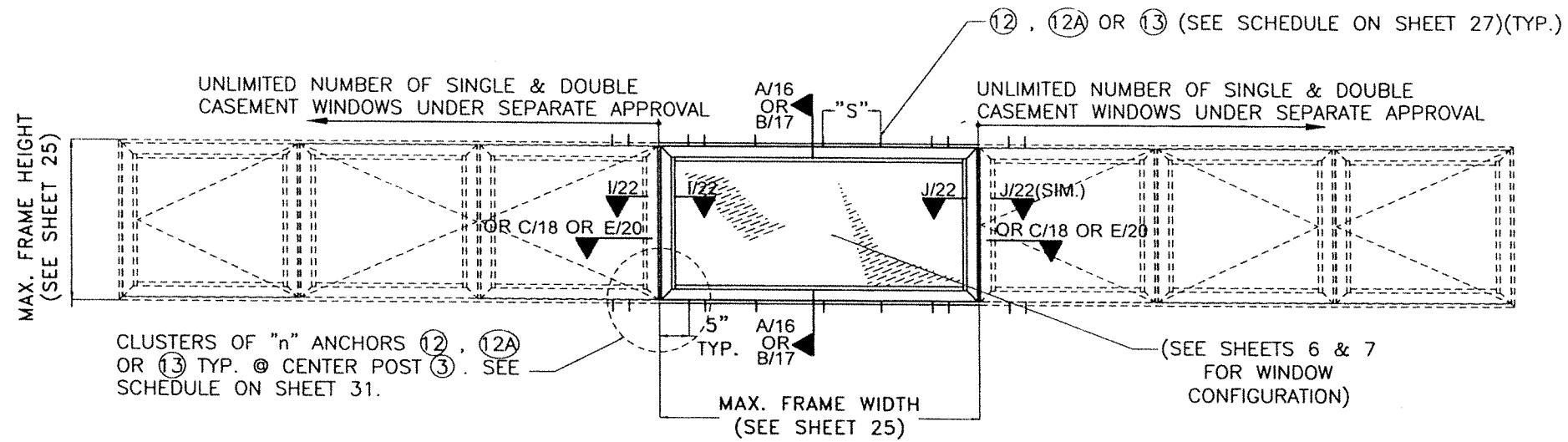
SCALE 3/8"=1'-0"

WALTER A. TILLIT JR.  
 LICENSE  
 No. 44167  
 STATE OF FLORIDA  
 PROFESSIONAL ENGINEER  
 09/12/2023

P.E. SEAL/SIGNATURE/DATE

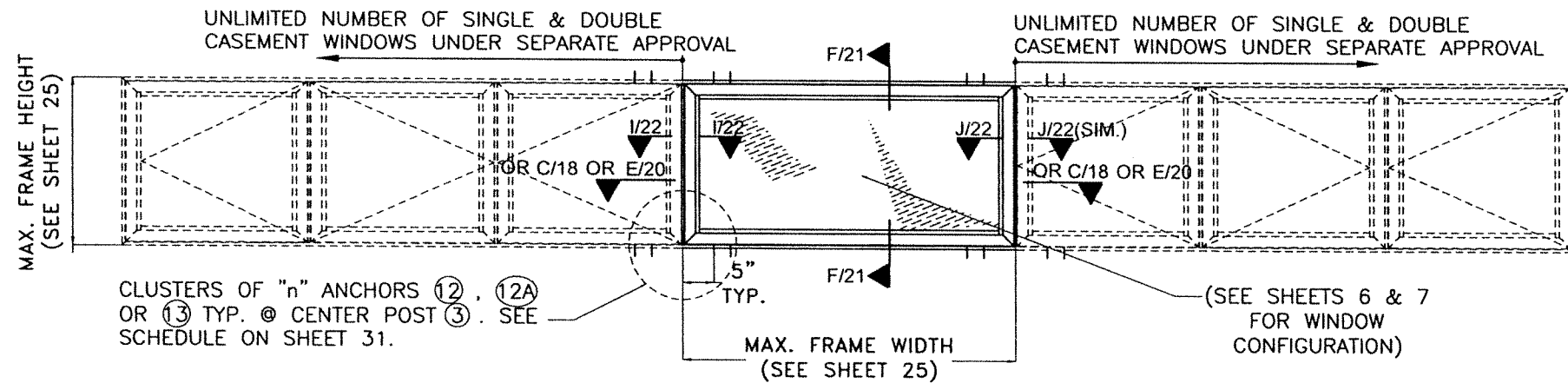
FLORIDA BUILDING CODE (HIGH & NON HIGH VELOCITY HURRICANE ZONE)

©2023 TILTECO, INC.		<b>SERIES VPF 8000 ALUMINUM FIXED WINDOW-LMI</b>	W.H DRAWN BY:																		
	TILLIT TESTING & ENGINEERING COMPANY 6355 N.W. 36th St., Ste. 305, VIRGINIA GARDENS, FL 33166 Phone : (305)871-1530 . Fax : (305)871-1531 CA-0006719 WALTER A. TILLIT Jr. P.E. FLORIDA Lic. # 44167	290 WEST 78 ROAD HIALEAH, FL 33014 PH: (954)226-5555/(305)558-8103 FAX: (305)558-6665 www.gigwindows.com	09/12/2023 DATE:																		
	23-210 DRAWING No.	<table border="1"> <thead> <tr> <th>REV. NO</th> <th>DESCRIPTION</th> <th>DATE</th> <th>REV. No</th> <th>DESCRIPTION</th> <th>DATE</th> </tr> </thead> <tbody> <tr> <td>1</td> <td>OLD 20-279</td> <td>09/12/23</td> <td>3</td> <td>-</td> <td>-</td> </tr> <tr> <td>2</td> <td>-</td> <td>-</td> <td>4</td> <td>-</td> <td>-</td> </tr> </tbody> </table>	REV. NO	DESCRIPTION	DATE	REV. No	DESCRIPTION	DATE	1	OLD 20-279	09/12/23	3	-	-	2	-	-	4	-	-	SHEET 13 OF 31
REV. NO	DESCRIPTION	DATE	REV. No	DESCRIPTION	DATE																
1	OLD 20-279	09/12/23	3	-	-																
2	-	-	4	-	-																



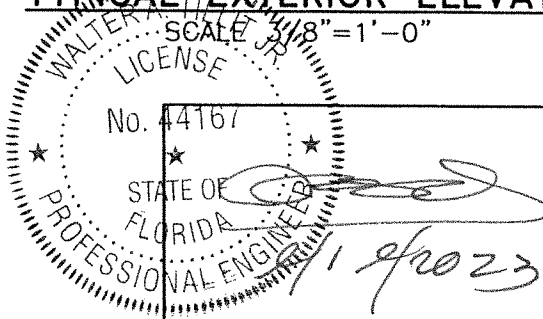
**QUALIFIED CONFIGURATIONS FOR HORIZONTALLY ORIENTED FIXED WINDOW W/ ATTACHED HEAD & SILL W/ ACCOMPANYING SINGLE & DOUBLE CASEMENT WINDOWS (UNDER SEPARATE APPROVAL)**  
**TYPICAL EXTERIOR ELEVATIONS**

SCALE 3/8"=1'-0"



**QUALIFIED CONFIGURATIONS FOR HORIZONTALLY ORIENTED FIXED WINDOW W/ NOT ATTACHED HEAD & SILL W/ ACCOMPANYING SINGLE & DOUBLE CASEMENT WINDOWS (UNDER SEPARATE APPROVAL)**  
**TYPICAL EXTERIOR ELEVATIONS**

SCALE 3/8"=1'-0"



P.E. SEAL/SIGNATURE/DATE

FLORIDA BUILDING CODE (HIGH & NON HIGH VELOCITY HURRICANE ZONE)

©2023 TILTECO, INC.



TILLIT TESTING & ENGINEERING COMPANY  
 6355 N.W. 36th St., Ste. 305, VIRGINIA GARDENS, FL 33166  
 Phone : (305)871-1530 . Fax : (305)871-1531  
 CA-0006719  
 WALTER A. TILLIT Jr. P.E.  
 FLORIDA Lic. # 44167

SERIES VPF 8000 ALUMINUM  
 FIXED WINDOW-LMI



290 WEST 78 ROAD  
 HIALEAH, FL 33014  
 PH: (954)226-5555/(305)558-8103  
 FAX: (305)558-6665  
 www.gigwindows.com

REV. NO	DESCRIPTION	DATE	REV. No	DESCRIPTION	DATE
1	OLD 20-279	09/12/23	3	-	-
2	-	-	4	-	-

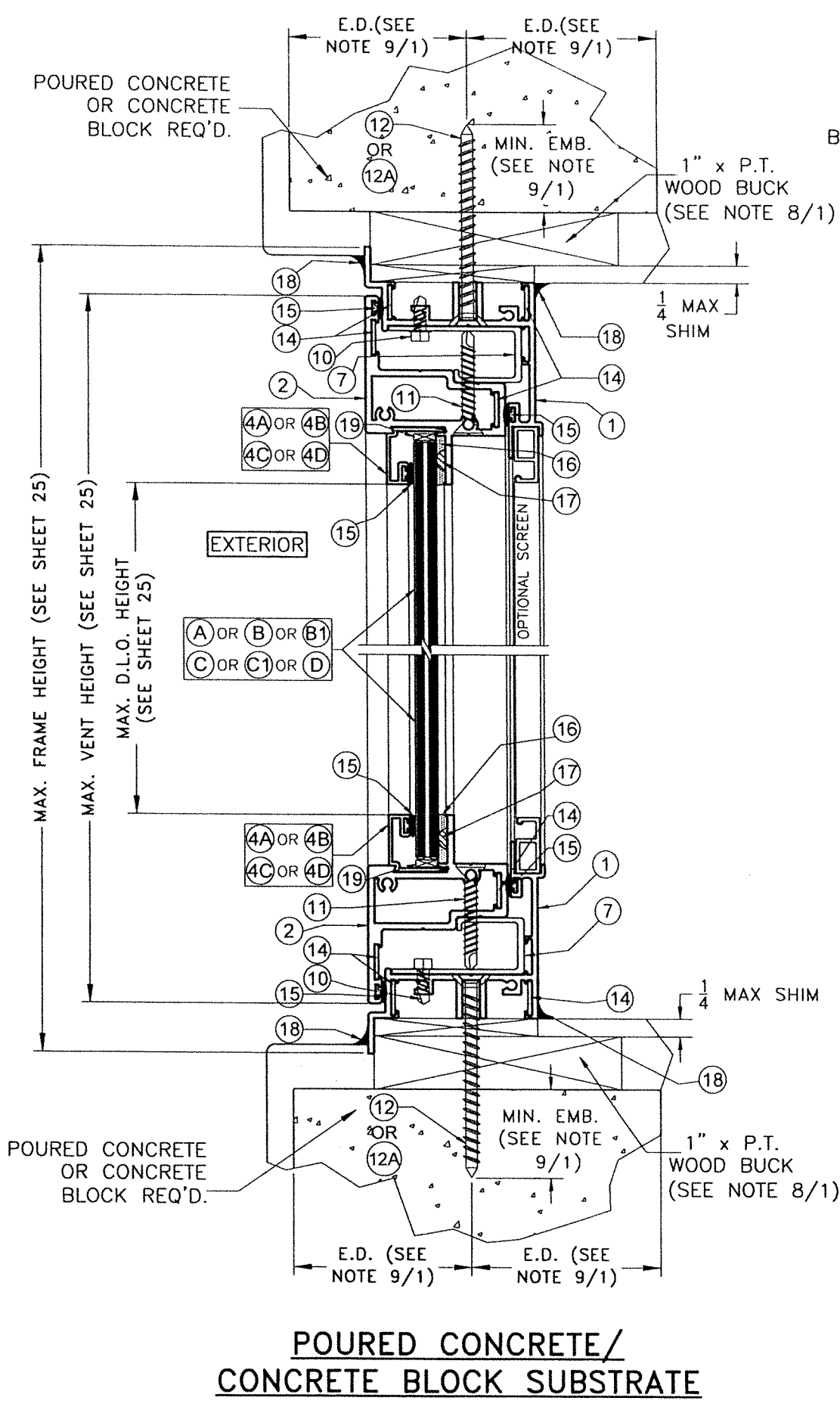
W.H  
 DRAWN BY:

09/12/2023  
 DATE:

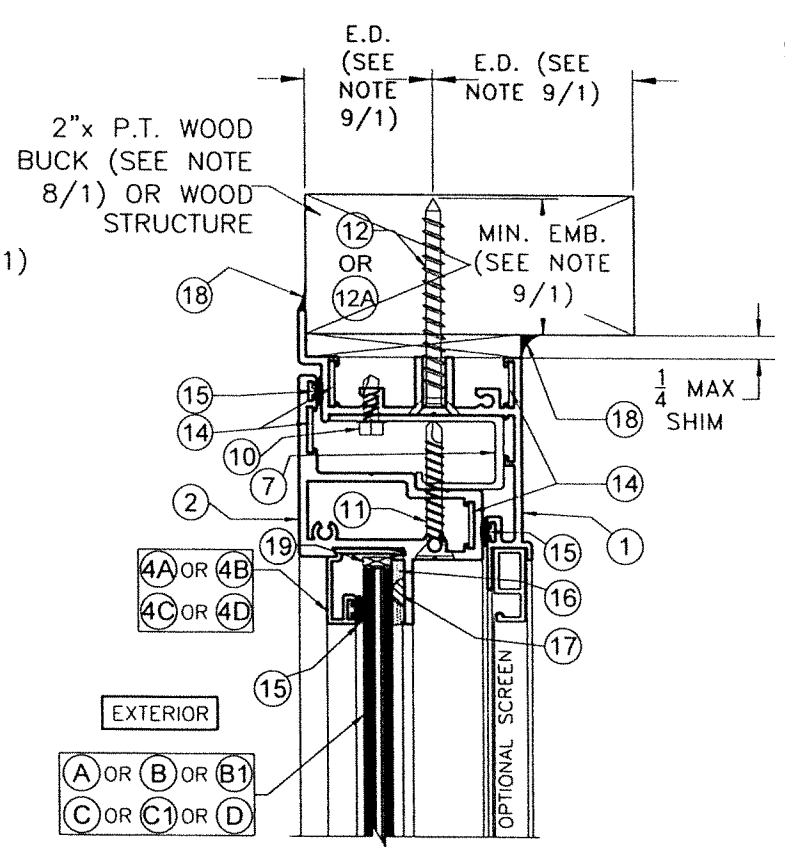
23-210  
 DRAWING No.

SHEET 14 OF 31

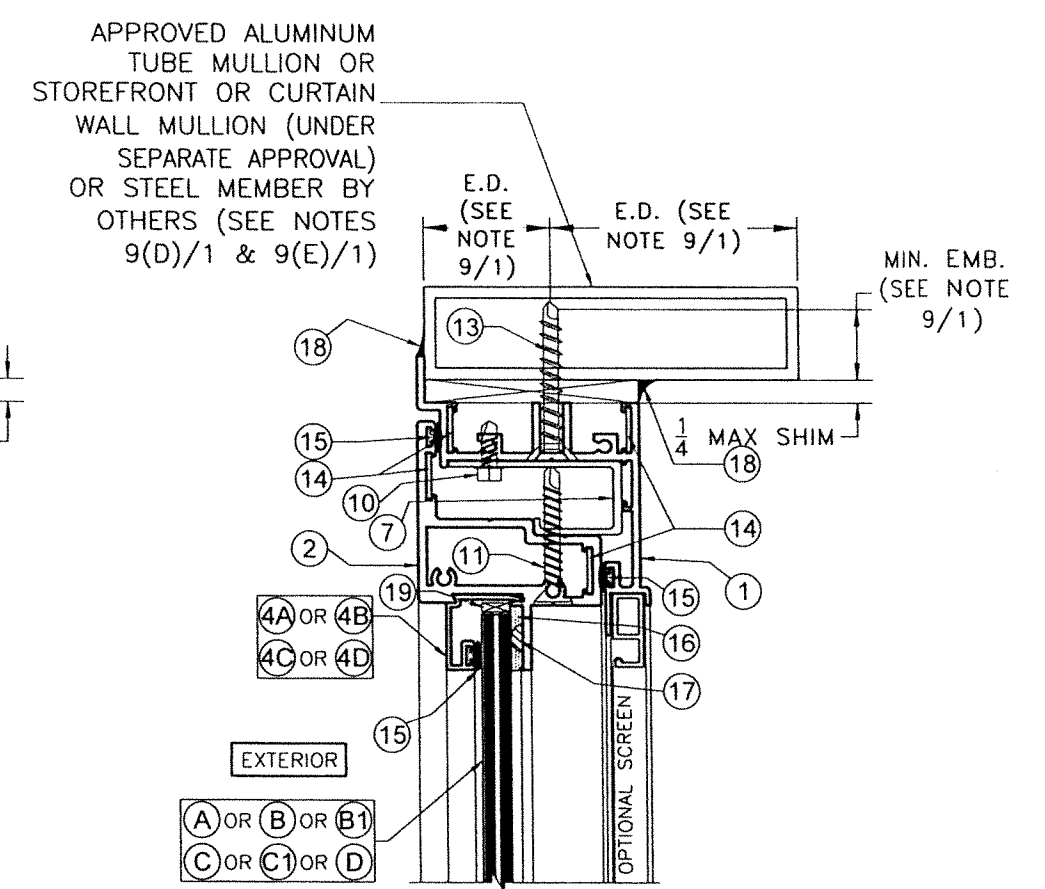




**POURED CONCRETE/  
CONCRETE BLOCK SUBSTRATE**

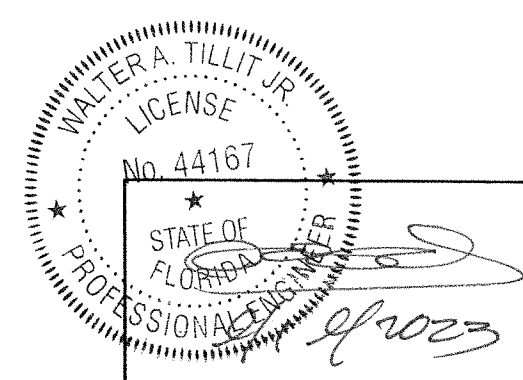


**WOOD  
SUBSTRATE**



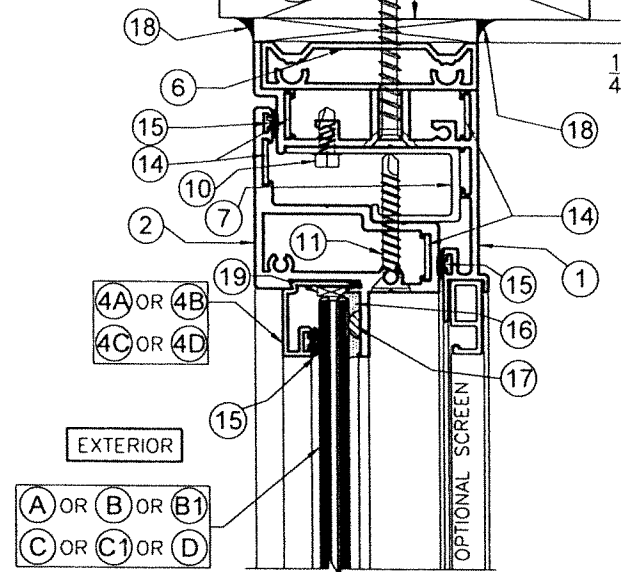
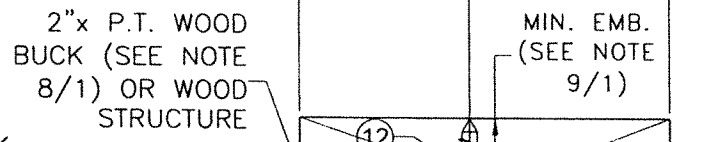
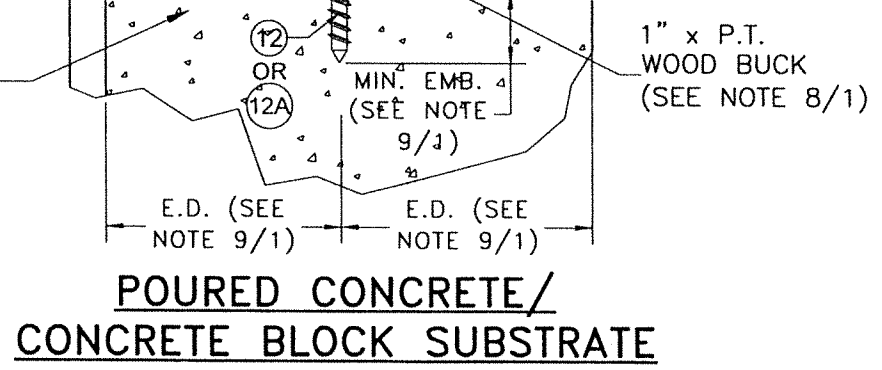
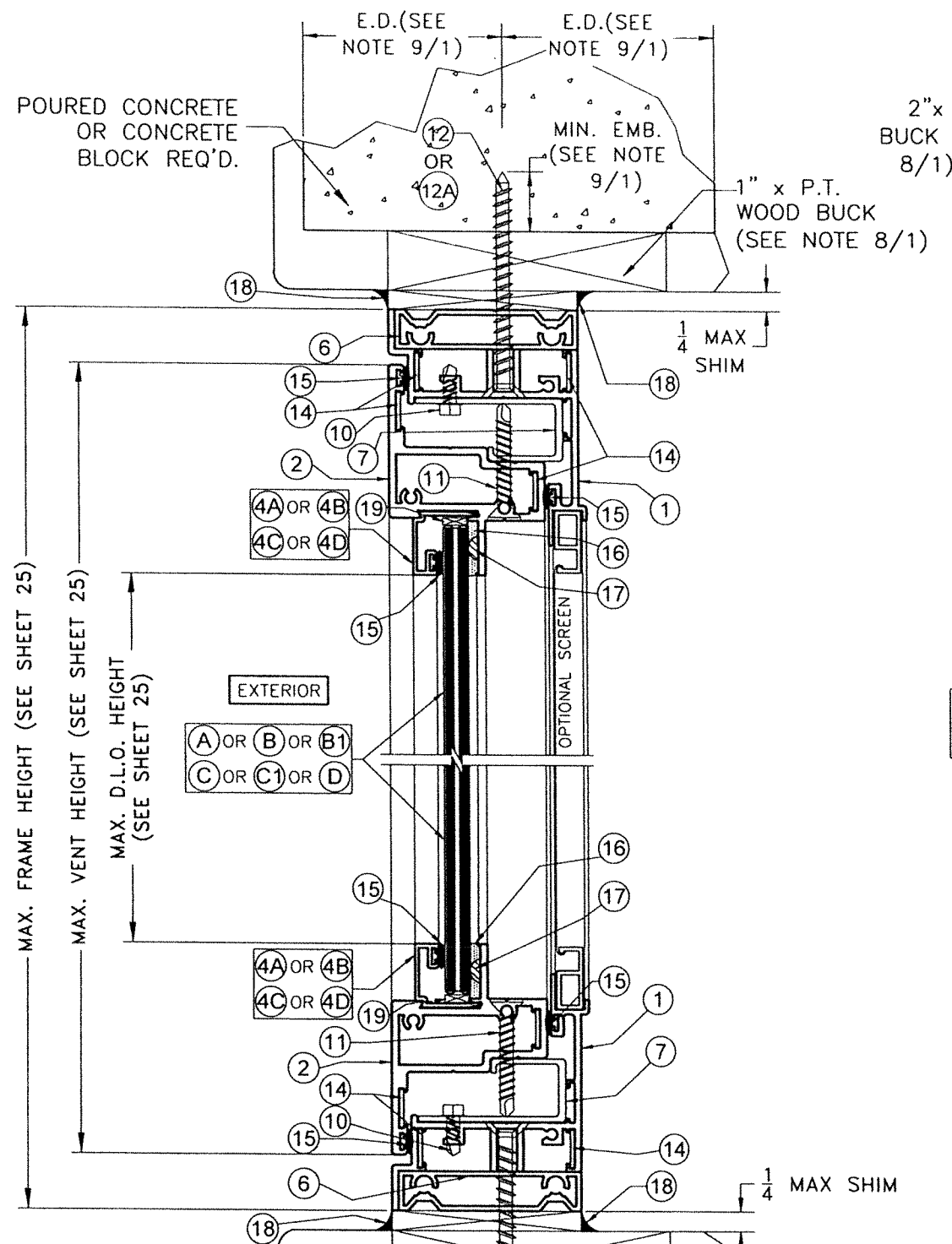
**ALUMINUM MULLION OR  
STEEL MEMBER  
SUBSTRATE**

**SECTION A-A**  
SCALE 1/2"=1"



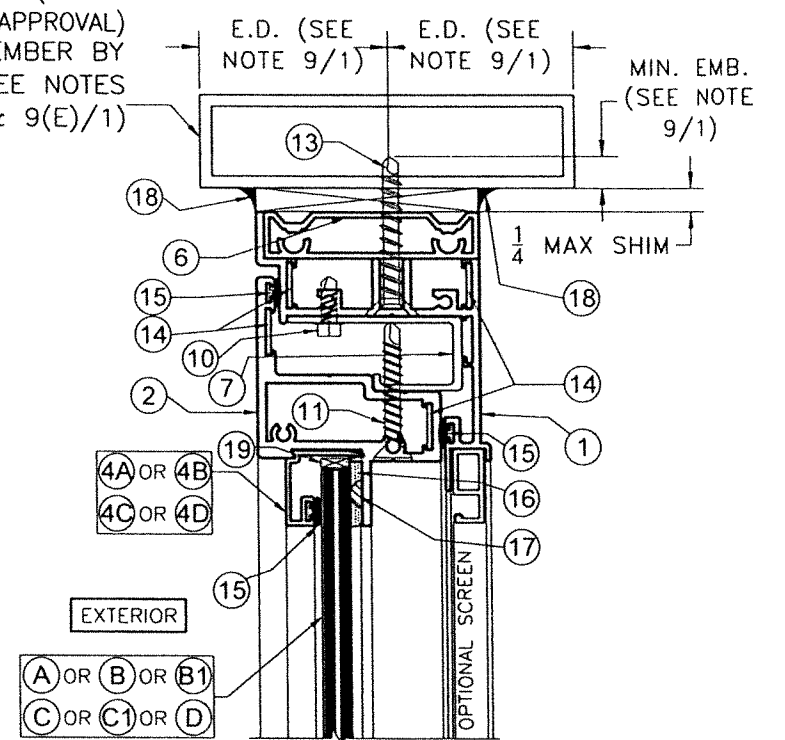
**FLORIDA BUILDING CODE (HIGH & NON HIGH VELOCITY HURRICANE ZONE)**

 TILTECO INC. TILLIT TESTING & ENGINEERING COMPANY 6355 N.W. 36th St., Ste. 305, VIRGINIA GARDENS, FL 33166 Phone: (305)871-1530 Fax: (305)871-1531 CA-0006719 WALTER A. TILLIT Jr. P.E. FLORIDA Lic. # 44167		©2023 TILTECO, INC.		<b>SERIES VPF 8000 ALUMINUM FIXED WINDOW-LMI</b>		W.H. DRAWN BY:
		290 WEST 78 ROAD HIALEAH, FL 33014 PH: (954)226-5555/(305)558-8103 FAX: (305)558-6665 www.gigwindows.com		09/12/2023 DATE:		<b>23-210</b> DRAWING No.
REV. NO 1	DESCRIPTION OLD 20-279	DATE 09/12/23	REV. No 3	DESCRIPTION -	DATE -	SHEET 16 OF 31



**WOOD  
SUBSTRATE**

APPROVED ALUMINUM  
TUBE MULLION OR  
STOREFRONT OR CURTAIN  
WALL MULLION (UNDER  
SEPARATE APPROVAL)  
OR STEEL MEMBER BY  
OTHERS (SEE NOTES  
9(D)/1 & 9(E)/1)




**ALUMINUM MULLION OR  
STEEL MEMBER  
SUBSTRATE**

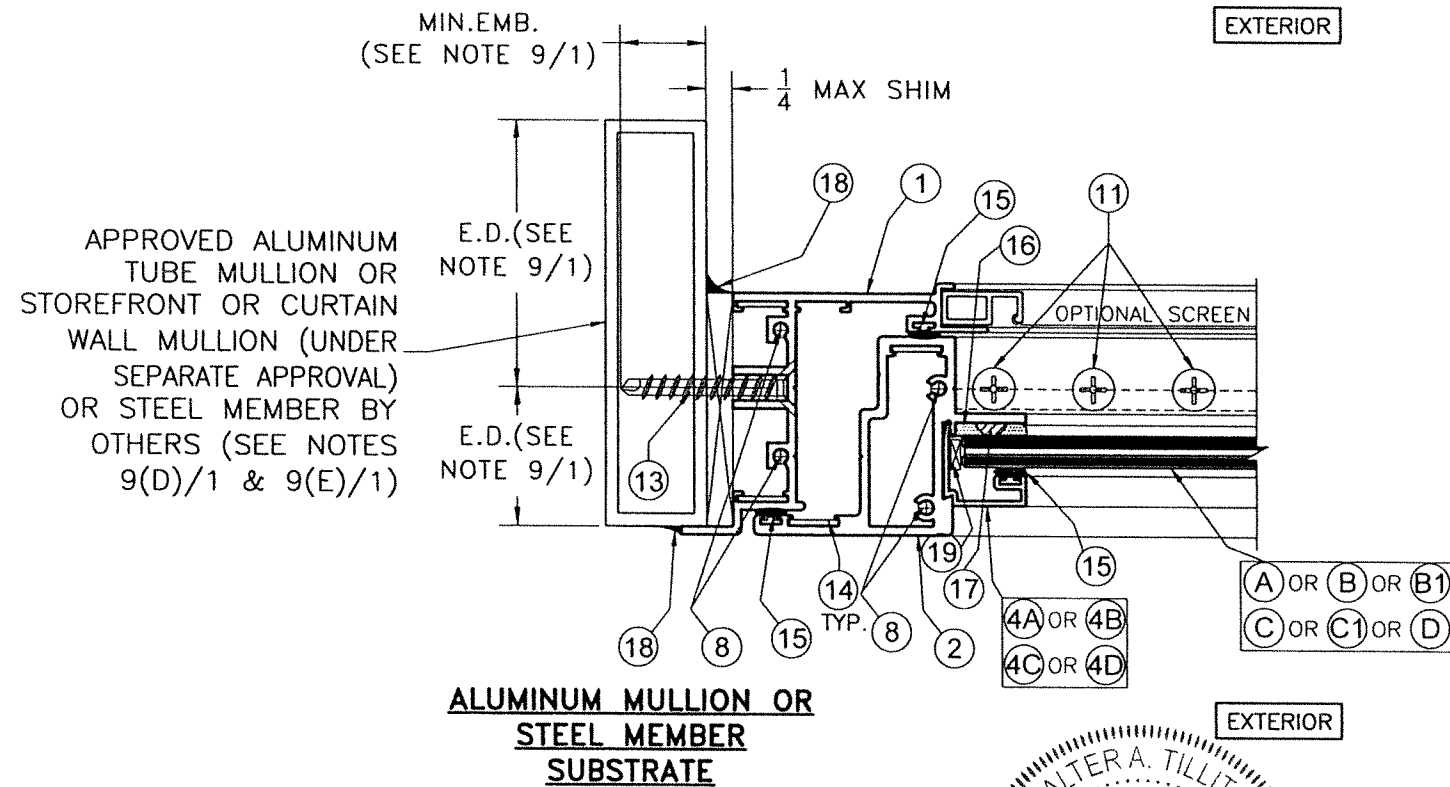
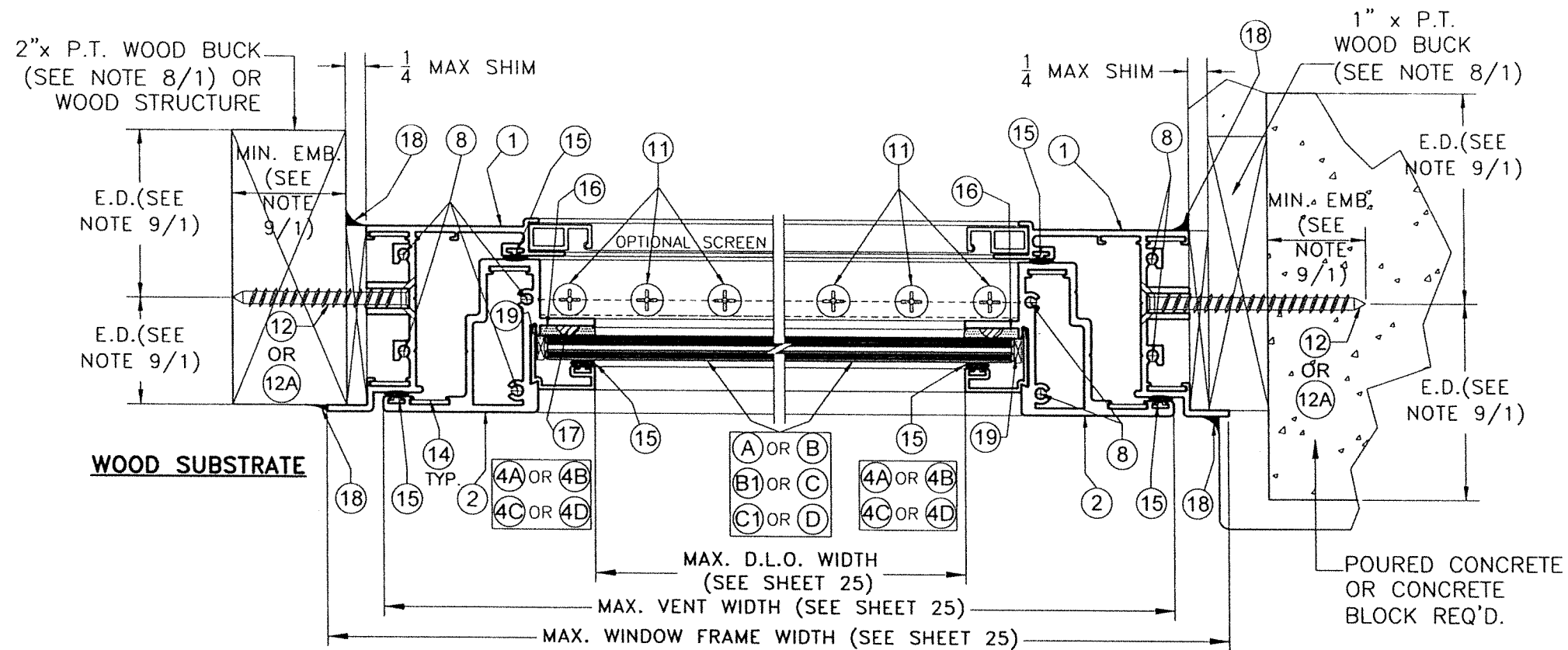
**SECTION B-B**  
SCALE 1/2"=1"

WALTER A. TILLIT JR.  
LICENSE  
No. 44167  
STATE OF FLORIDA  
PROFESSIONAL ENGINEER  
4/12/2023  
P.E. SEAL/SIGNATURE/DATE

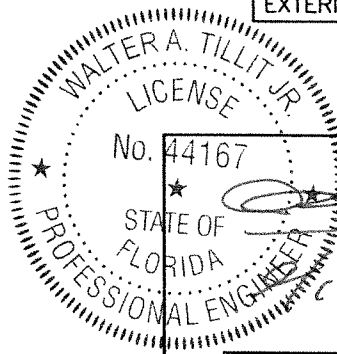
FLORIDA BUILDING CODE (HIGH & NON HIGH VELOCITY HURRICANE ZONE)

©2023 TILTECO, INC.  
**TILTECO INC.**  
TILLIT TESTING & ENGINEERING COMPANY  
6355 N.W. 36th St., Ste. 305, VIRGINIA GARDENS, FL 33166  
Phone : (305)871-1530 Fax : (305)871-1531  
CA-0006719  
WALTER A. TILLIT Jr., P.E.  
FLORIDA Lic. # 44167

SERIES VPF 8000 ALUMINUM FIXED WINDOW-LMI		W.H DRAWN BY:																		
 290 WEST 78 ROAD HIALEAH, FL 33014 PH: (954)226-5555/(305)558-8103 FAX: (305)558-6665 www.gigwindows.com		09/12/2023 DATE:																		
23-210		DRAWING No.																		
<table border="1"> <thead> <tr> <th>REV. NO</th> <th>DESCRIPTION</th> <th>DATE</th> <th>REV. No</th> <th>DESCRIPTION</th> <th>DATE</th> </tr> </thead> <tbody> <tr> <td>1</td> <td>OLD 20-279</td> <td>09/12/23</td> <td>5</td> <td>-</td> <td>-</td> </tr> <tr> <td>2</td> <td>-</td> <td>-</td> <td>4</td> <td>-</td> <td>-</td> </tr> </tbody> </table>		REV. NO	DESCRIPTION	DATE	REV. No	DESCRIPTION	DATE	1	OLD 20-279	09/12/23	5	-	-	2	-	-	4	-	-	SHEET 17 OF 31
REV. NO	DESCRIPTION	DATE	REV. No	DESCRIPTION	DATE															
1	OLD 20-279	09/12/23	5	-	-															
2	-	-	4	-	-															



**SECTION C-C**  
SCALE 1/2"=1"



FLORIDA BUILDING CODE (HIGH & NON HIGH VELOCITY HURRICANE ZONE)

©2023 TILTECO, INC.		SERIES VPF 8000 ALUMINUM FIXED WINDOW-LMI		W.H DRAWN BY:	
 TILLIT TESTING & ENGINEERING COMPANY 6355 N.W. 36th. St., Ste. 305, VIRGINIA GARDENS, FL 33166 Phone : (305)871-1530 . Fax : (305)871-1531 CA-0006719 WALTER A. TILLIT Jr. P.E. FLORIDA Lic. # 44167		 290 WEST 78 ROAD HIALEAH, FL. 33014 PH: (954)226-5555/(305)558-8103 FAX: (305)558-6665 www.gigwindows.com		09/12/2023 DATE:	
				23-210 DRAWING No.	
REV. NO	DESCRIPTION	DATE	REV. No	DESCRIPTION	DATE
1	OLD 20-279	09/12/23	3	-	-
2	-	-	4	-	-

2" x P.T. WOOD  
BUCK (SEE NOTE  
8/1) OR WOOD  
STRUCTURE

1" x P.T.  
WOOD BUCK  
(SEE NOTE 8/1)

**WOOD SUBSTRATE**

POURED CONCRETE OR  
CONCRETE BLOCK REQ'D.

**POURED CONCRETE/  
CONCRETE BLOCK SUBSTRATE**

EXTERIOR

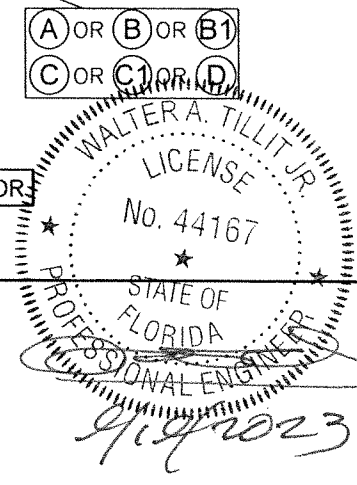
APPROVED ALUMINUM  
TUBE MULLION OR  
STOREFRONT OR CURTAIN  
WALL MULLION (UNDER  
SEPARATE APPROVAL)  
OR STEEL MEMBER BY  
OTHERS (SEE NOTES  
9(D)/1 & 9(E)/1)

**ALUMINUM MULLION OR  
STEEL MEMBER  
SUBSTRATE**

EXTERIOR

# SECTION D-D

SCALE 1/2"=1"



P.E. SEAL/SIGNATURE/DATE

FLORIDA BUILDING CODE (HIGH & NON HIGH VELOCITY HURRICANE ZONE)

©2023 TILTECO, INC.

**TILTECO INC.**

TILLIT TESTING & ENGINEERING COMPANY  
6355 N.W. 36th. St., Ste. 305, VIRGINIA GARDENS, FL 33166  
Phone : (305)871-1530 . Fax : (305)871-1531  
CA-0006719

WALTER A. TILLIT Jr., P.E.  
FLORIDA Lic. # 44167

**SERIES VPF 8000 ALUMINUM  
FIXED WINDOW-LMI**



290 WEST 78 ROAD  
HIALEAH, FL 33014  
PH: (954)226-5555/(305)558-8103  
FAX: (305)558-6665  
www.gigwindows.com

W.H  
DRAWN BY:

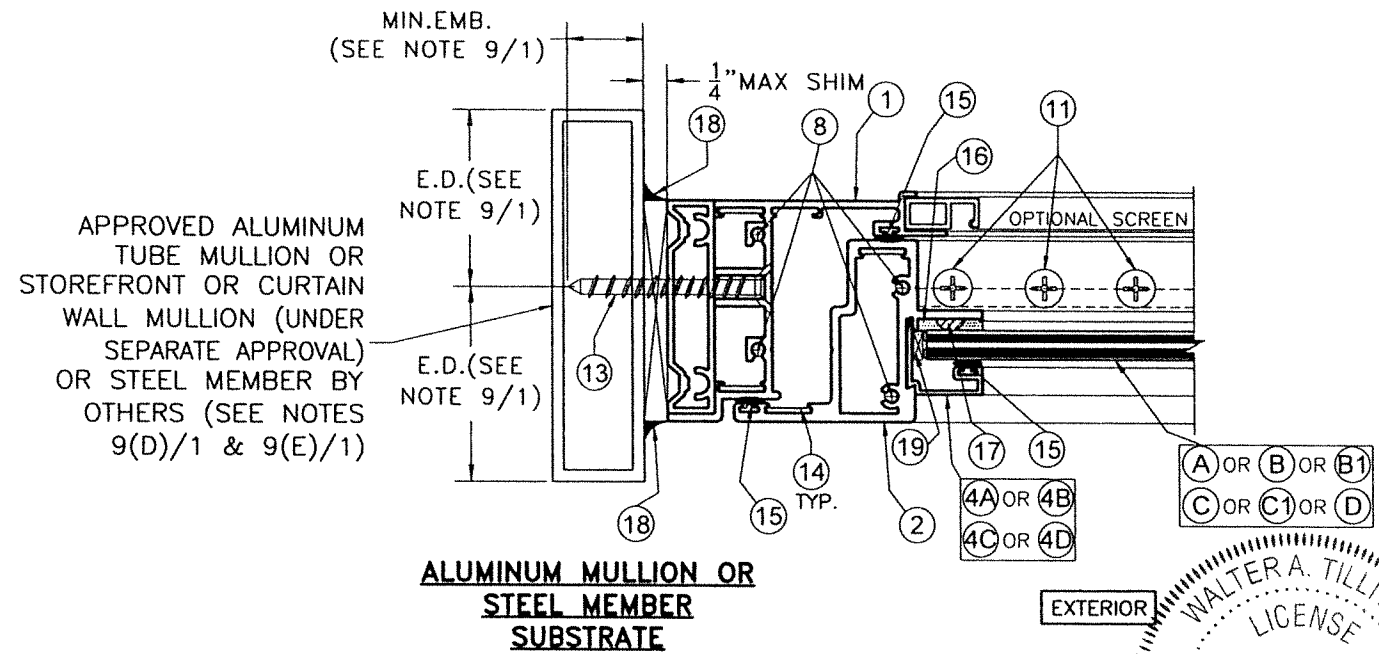
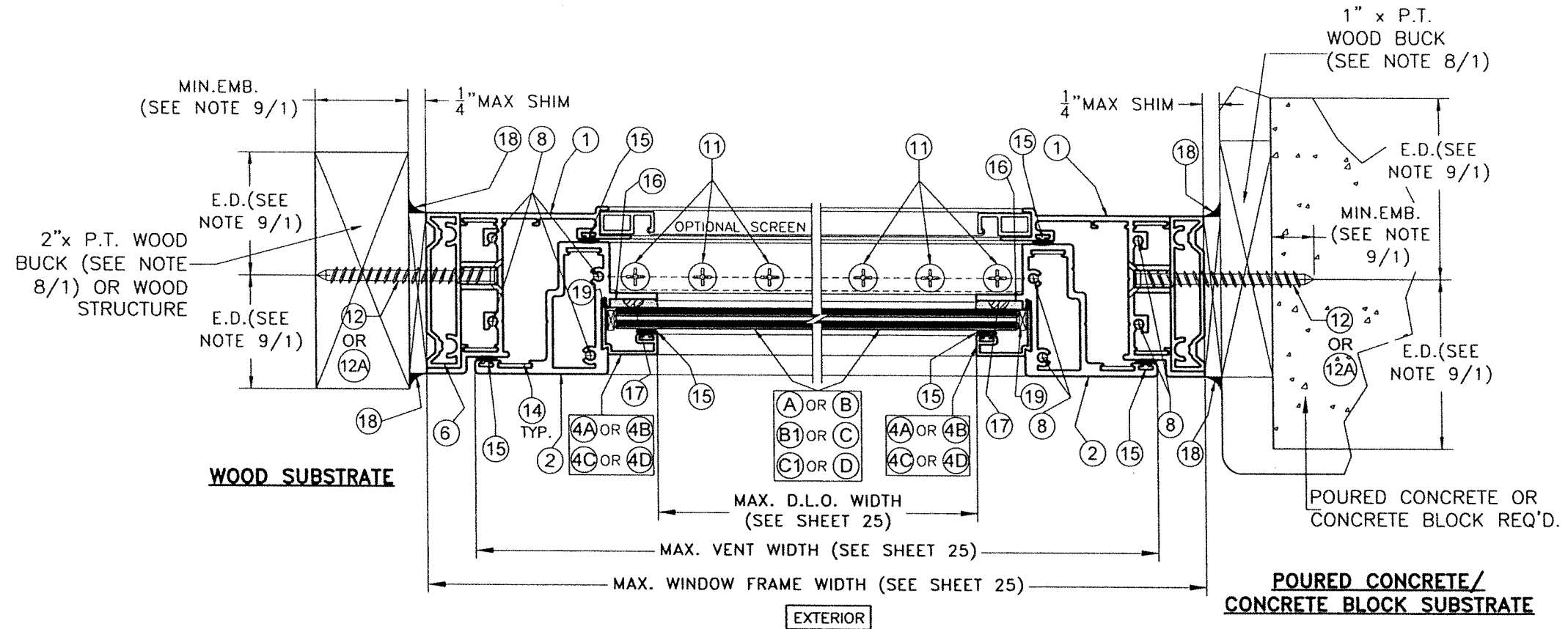
09/12/2023  
DATE:

**23-210**

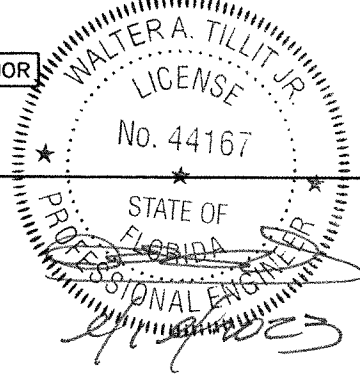
DRAWING No.

REV. NO	DESCRIPTION	DATE	REV. No	DESCRIPTION	DATE
1	OLD 20-279	09/12/23	3	-	-
2	-	-	4	-	-

SHEET 19 OF 31



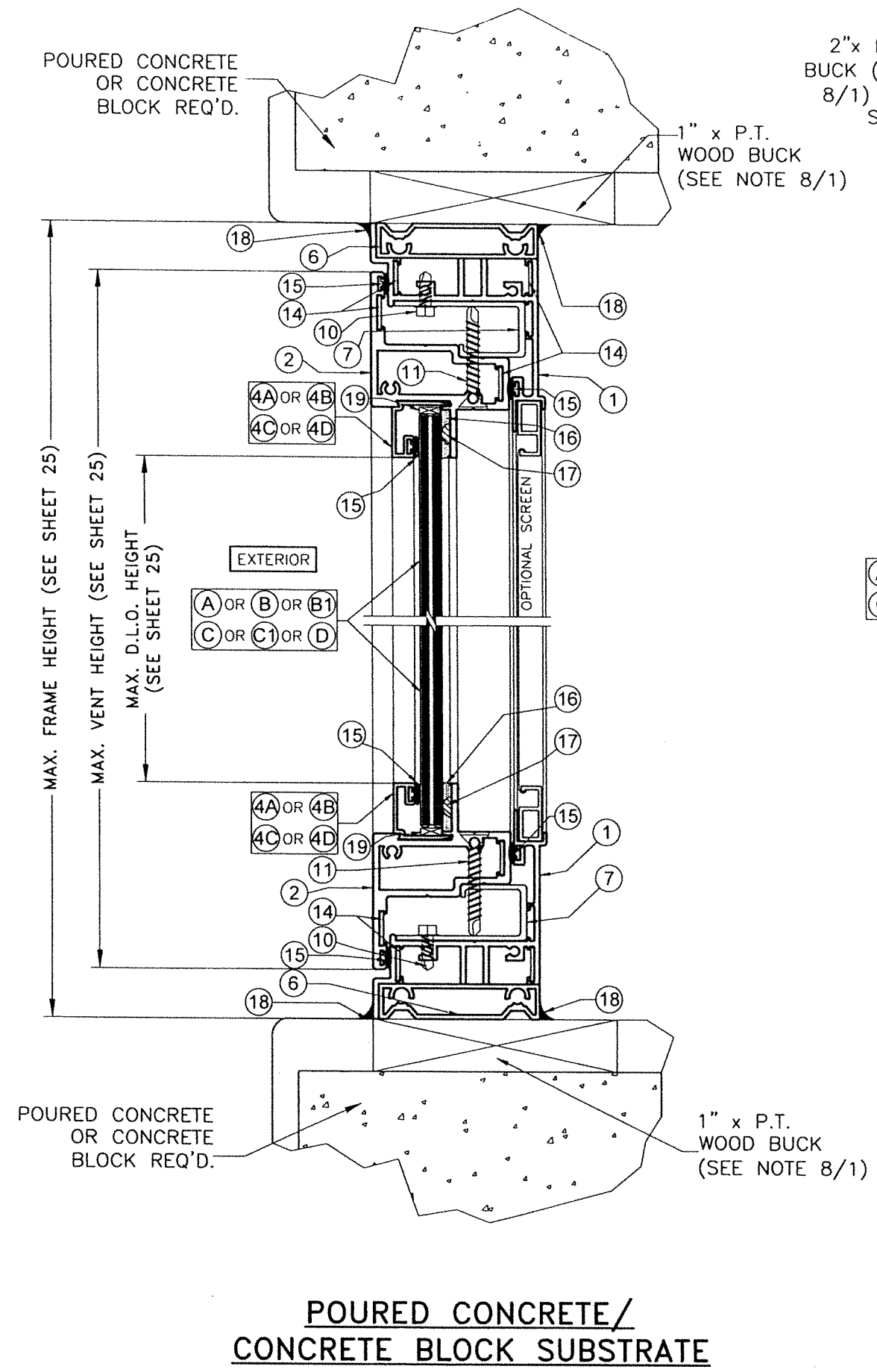
**SECTION E-E**  
SCALE 1/2"=1"



FLORIDA BUILDING CODE (HIGH & NON HIGH VELOCITY HURRICANE ZONE)

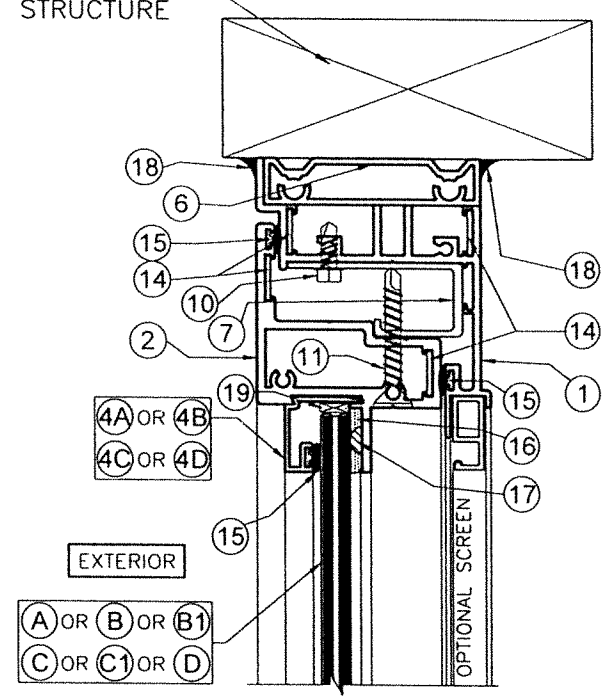
©2023 TILTECO, INC.  TILLIT TESTING & ENGINEERING COMPANY 6355 N.W. 36th St., Ste. 305, VIRGINIA GARDENS, FL 33166 Phone: (305)871-1530 Fax: (305)871-1531 CA-0006719 WALTER A. TILLIT Jr. P.E. FLORIDA Lic. # 44167	 290 WEST 78 ROAD HIALEAH, FL 33014 PH: (954)226-5555/(305)558-8103 FAX: (305)558-6665 www.gigwindows.com	W.H DRAWN BY:
		09/12/2023 DATE:
23-210 DRAWING No.		SHEET 20 OF 31

REV. NO	DESCRIPTION	DATE	REV. No	DESCRIPTION	DATE
1	OLD 20-279	09/12/23	3	-	-
2	-	-	4	-	-



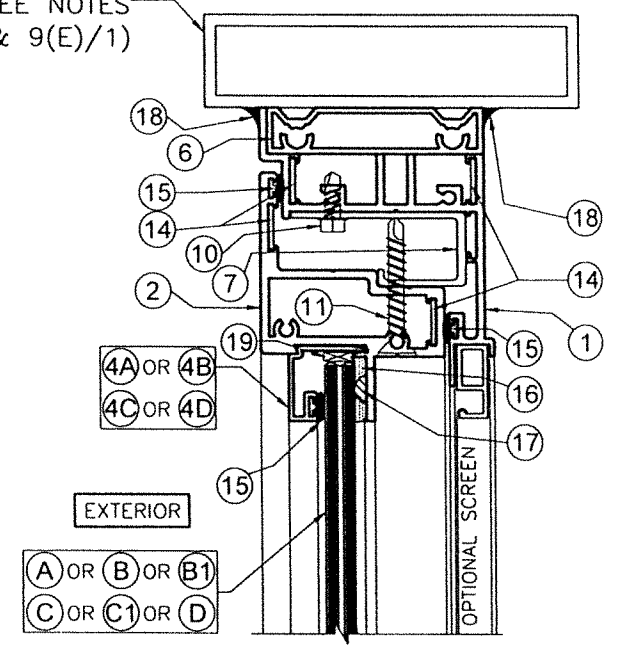
2" x P.T. WOOD BUCK (SEE NOTE 8/1) OR WOOD STRUCTURE

1" x P.T. WOOD BUCK (SEE NOTE 8/1)



**WOOD SUBSTRATE**

APPROVED ALUMINUM TUBE MULLION OR STOREFRONT OR CURTAIN WALL MULLION (UNDER SEPARATE APPROVAL) OR STEEL MEMBER BY OTHERS (SEE NOTES 9(D)/1 & 9(E)/1)



**ALUMINUM MULLION OR STEEL MEMBER SUBSTRATE**

**SECTION F-F**  
SCALE 1/2"=1"

WALTER A. TILLIT JR.  
LICENSE  
No. 44167  
STATE OF FLORIDA  
PROFESSIONAL ENGINEER  
*WALT*  
P.E. SEAL/SIGNATURE/DATE

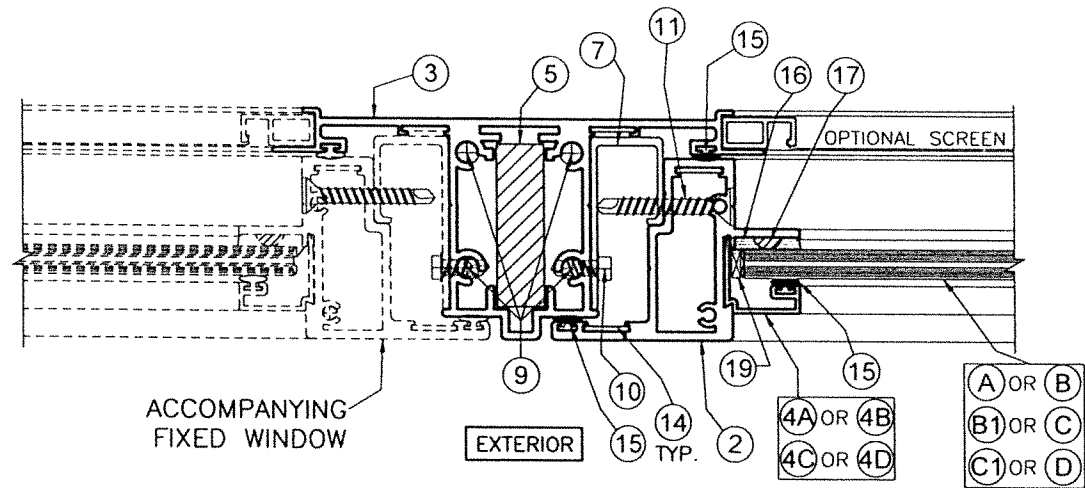
FLORIDA BUILDING CODE (HIGH & NON HIGH VELOCITY HURRICANE ZONE)

©2023 TILTECO, INC.  
**TILTECO INC.**  
TILLIT TESTING & ENGINEERING COMPANY  
6355 N.W. 36th St., Ste. 305, VIRGINIA GARDENS, FL 33166  
Phone: (305)871-1530 Fax: (305)871-1531  
CA-006719  
WALTER A. TILLIT Jr. P.E.  
FLORIDA Lic. # 44167

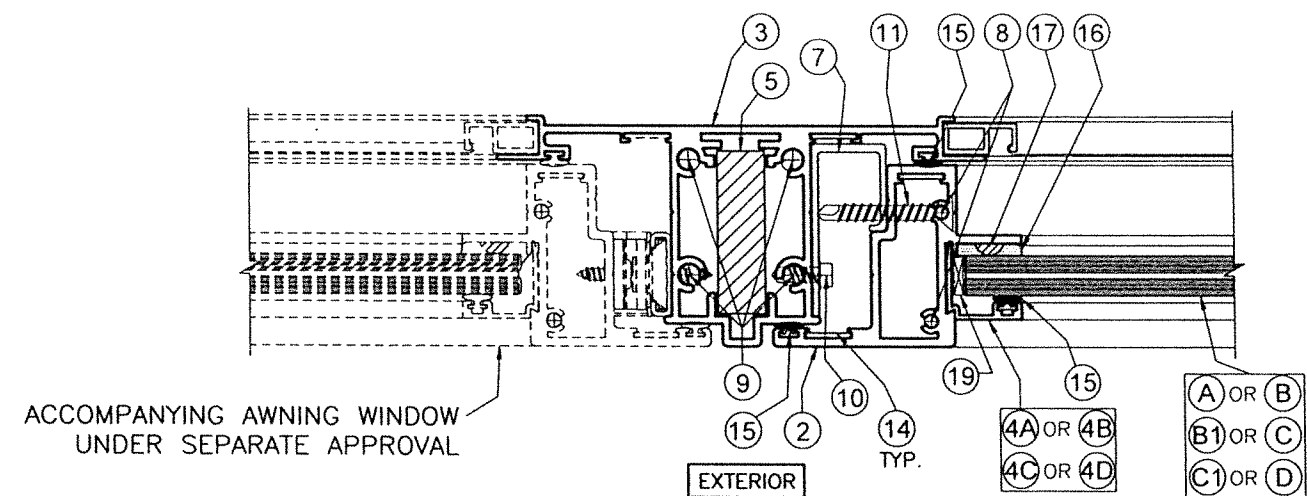
**SERIES VPF 8000 ALUMINUM FIXED WINDOW-LMI**  
290 WEST 78 ROAD  
HALEAH, FL 33014  
PH: (954)226-5555/(305)558-8103  
FAX: (305)558-6665  
www.gigwindows.com

REV. NO	DESCRIPTION	DATE	REV. No	DESCRIPTION	DATE
1	OLD 20-279	09/12/23	3	-	-
2	-	-	4	-	-

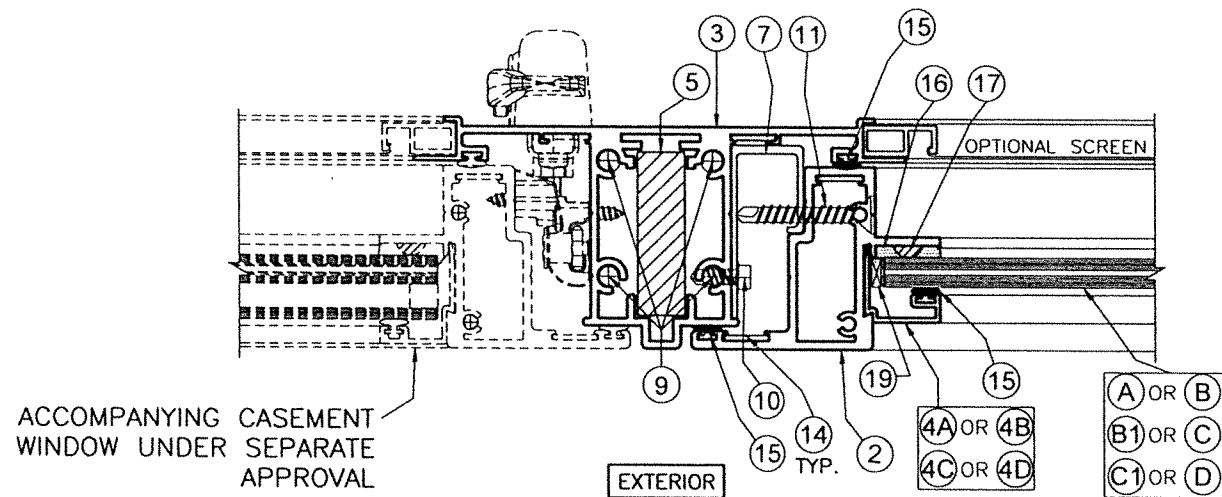
W.H  
DRAWN BY:  
09/12/2023  
DATE:  
**23-210**  
DRAWING No.  
SHEET 21 OF 31



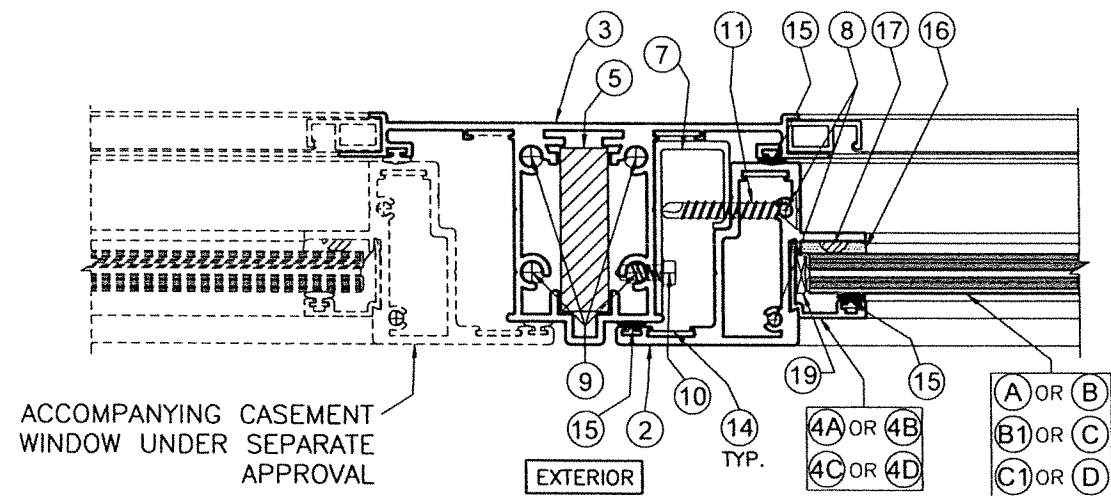
**SECTION G-G**  
SCALE 1/2"=1"



**SECTION H-H**  
SCALE 1/2"=1"



**SECTION I-I**  
SCALE 1/2"=1"



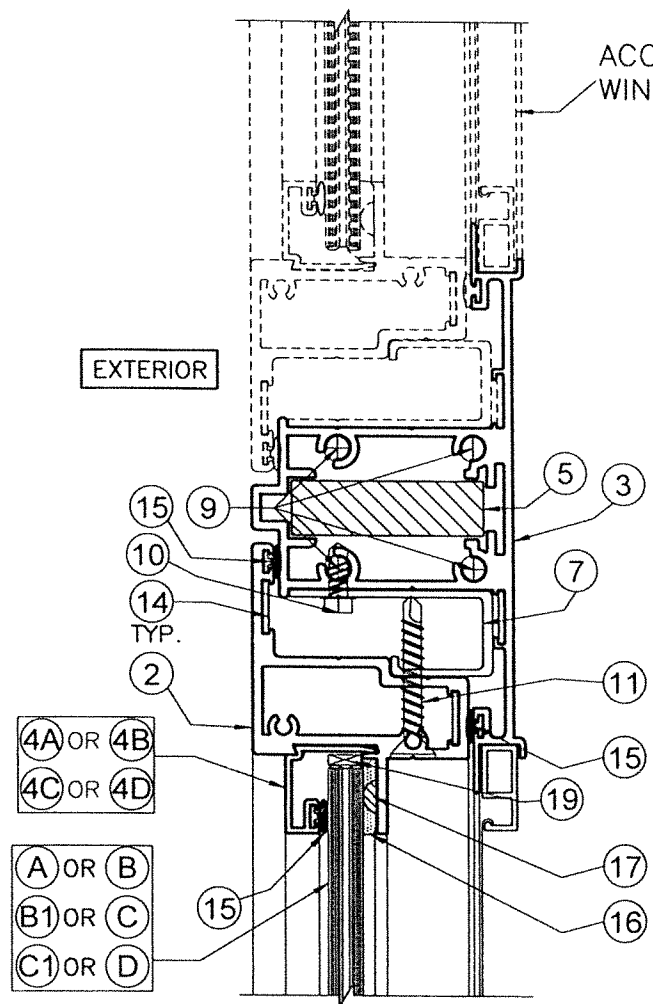
**SECTION J-J**  
SCALE 1/2"=1"

WALTER A. TILLIT JR.  
LICENSE  
No. 44167  
STATE OF FLORIDA  
PROFESSIONAL ENGINEER  
*W.A. Tillit Jr.*  
P.E. SEAL/SIGNATURE/DATE

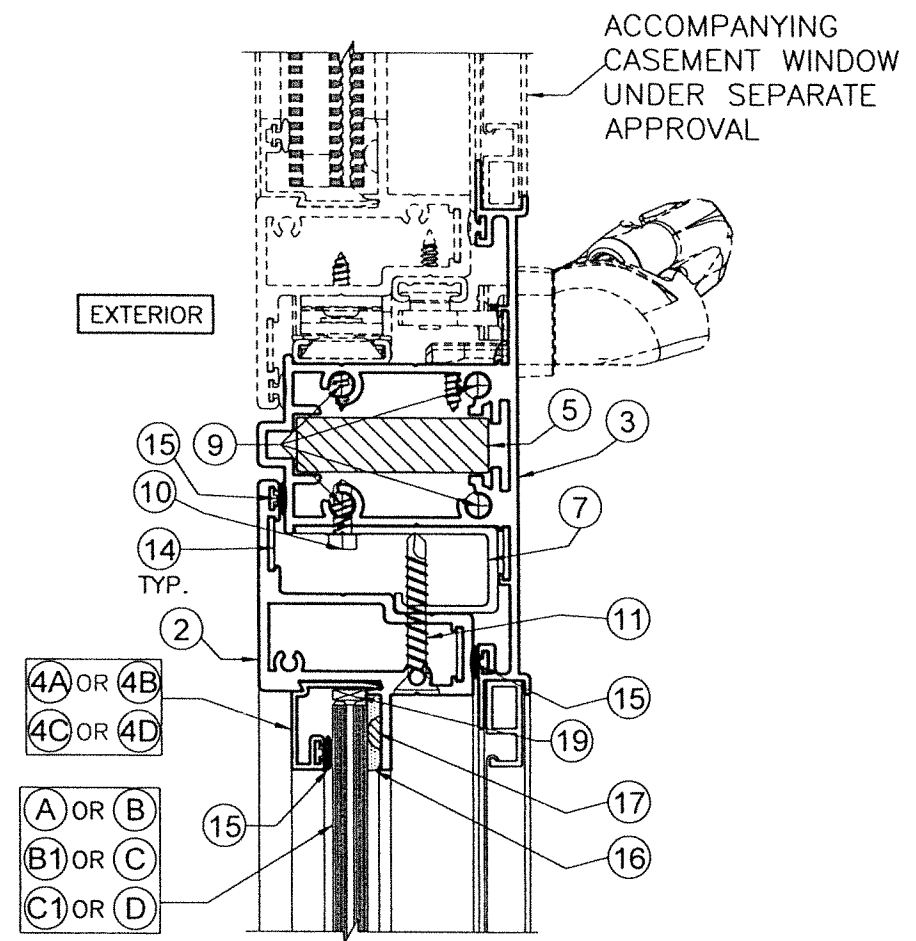
FLORIDA BUILDING CODE (HIGH & NON HIGH VELOCITY HURRICANE ZONE)

©2023 TILTECO, INC.  
**TILTECO INC.**  
TILLIT TESTING & ENGINEERING COMPANY  
6355 N.W. 36th St., Ste. 305, VIRGINIA GARDENS, FL 33166  
Phone: (305)871-1530 Fax: (305)871-1531  
CA-0006719  
WALTER A. TILLIT Jr., P.E.  
FLORIDA Lic. # 44167

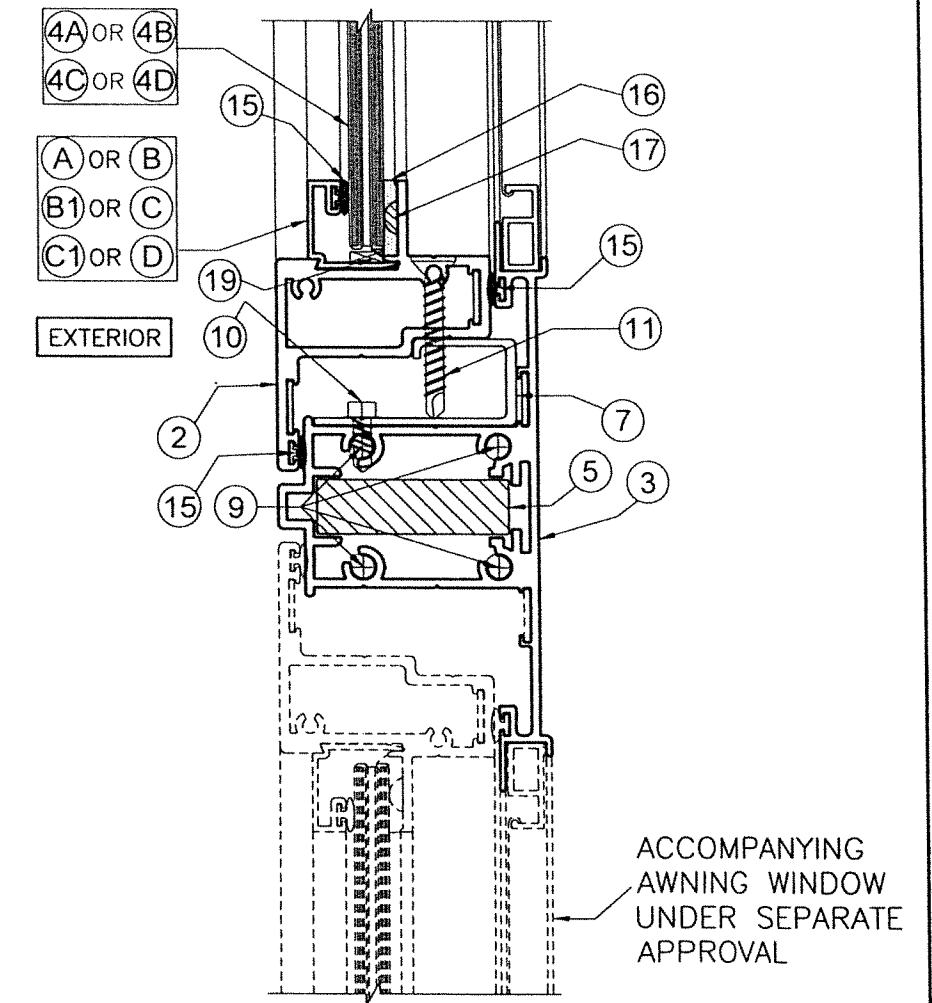
SERIES VPF 8000 ALUMINUM FIXED WINDOW-LMI		W.H. DRAWN BY:																		
290 WEST 78 ROAD HALEAH, FL 33014 PH: (954)226-5555/(305)558-8103 FAX: (305)558-6665 www.gigwindows.com		09/12/2023 DATE:																		
23-210		DRAWING No.																		
<table border="1"> <thead> <tr> <th>REV. NO</th> <th>DESCRIPTION</th> <th>DATE</th> <th>REV. No</th> <th>DESCRIPTION</th> <th>DATE</th> </tr> </thead> <tbody> <tr> <td>1</td> <td>OLD 20-279</td> <td>09/12/23</td> <td>3</td> <td>-</td> <td>-</td> </tr> <tr> <td>2</td> <td>-</td> <td>-</td> <td>4</td> <td>-</td> <td>-</td> </tr> </tbody> </table>		REV. NO	DESCRIPTION	DATE	REV. No	DESCRIPTION	DATE	1	OLD 20-279	09/12/23	3	-	-	2	-	-	4	-	-	SHEET 22 OF 31
REV. NO	DESCRIPTION	DATE	REV. No	DESCRIPTION	DATE															
1	OLD 20-279	09/12/23	3	-	-															
2	-	-	4	-	-															



**SECTION K-K**  
SCALE 1/2"=1"



**SECTION L-L**  
SCALE 1/2"=1"



**SECTION M-M**  
SCALE 1/2"=1"

WALTER A. TILLIT JR.  
LICENSE  
No. 44167  
STATE OF FLORIDA  
PROFESSIONAL ENGINEER  
9/12/2023  
P.E. SEAL/SIGNATURE/DATE

FLORIDA BUILDING CODE (HIGH & NON HIGH VELOCITY HURRICANE ZONE)

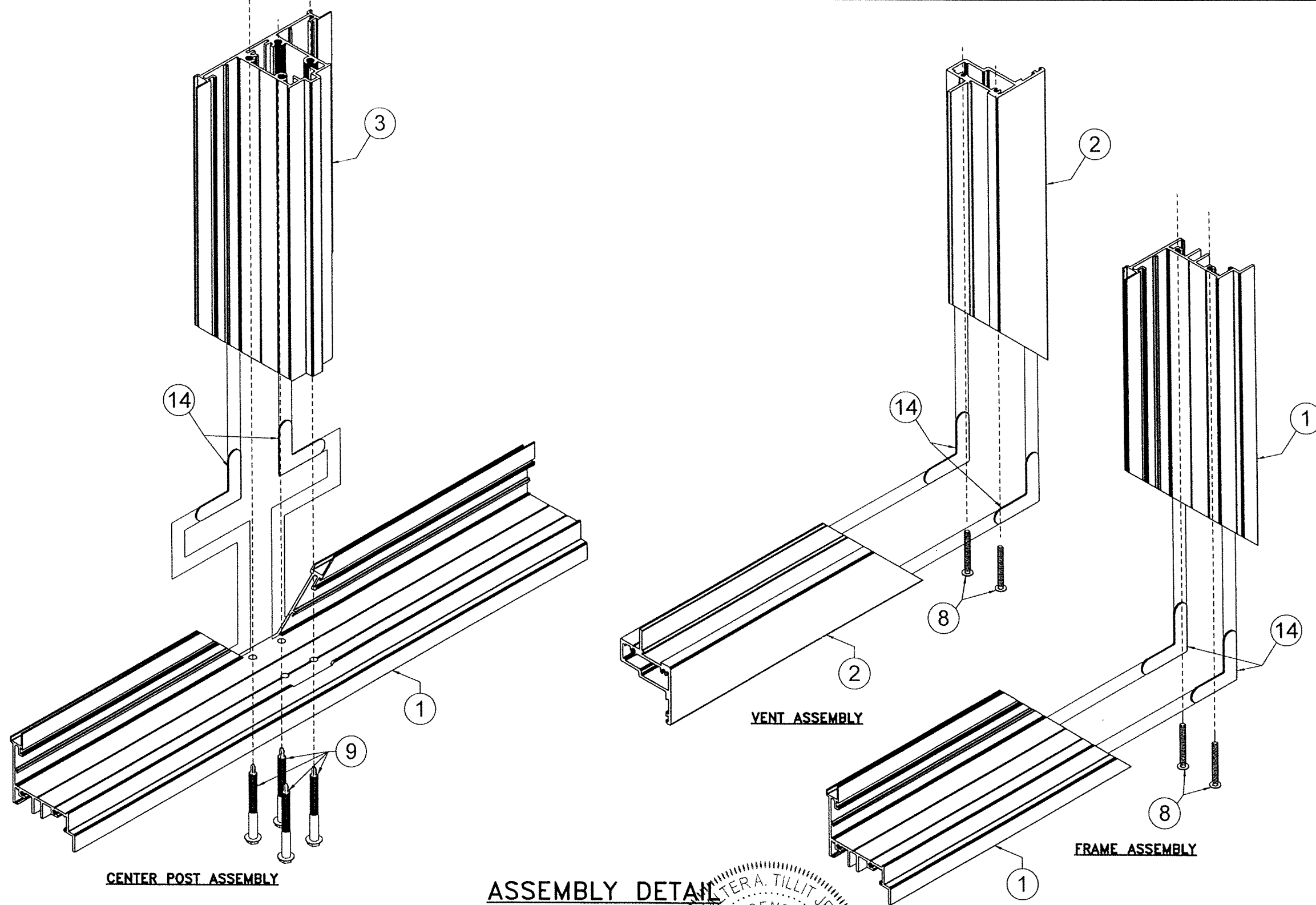
©2023 TILTECO, INC.  
**TILTECO inc.**  
TILLIT TESTING & ENGINEERING COMPANY  
6355 N.W. 36th St., Ste. 305, VIRGINIA GARDENS, FL 33166  
Phone : (305)871-1530 . Fax : (305)871-1531  
CA-0006719  
WALTER A. TILLIT Jr. P.E.  
FLORIDA Lic. # 44167

**SERIES VPF 8000 ALUMINUM  
FIXED WINDOW-LMI**

290 WEST 78 ROAD  
HALEAH, FL 33014  
PH: (954)226-5555/(305)558-8103  
FAX: (305)558-6665  
www.gigwindows.com

REV. NO	DESCRIPTION	DATE	REV. No	DESCRIPTION	DATE
1	OLD 20-279	09/12/23	3	-	-
2	-	-	4	-	-

W.H  
DRAWN BY:  
09/12/2023  
DATE:  
**23-210**  
DRAWING No.  
SHEET 23 OF 31



**CENTER POST ASSEMBLY**

**VENT ASSEMBLY**


**FRAME ASSEMBLY**

**ASSEMBLY DETAIL  
ISOMETRIC**

WALTER A. TILLIT JR.  
 LICENSE  
 No. 44167  
 STATE OF FLORIDA  
 PROFESSIONAL ENGINEER  
 9/17/2023  
 P.E. SEAL/SIGNATURE/DATE

**FLORIDA BUILDING CODE (HIGH & NON HIGH VELOCITY HURRICANE ZONE)**

©2023 TILTECO, INC.  
**TILTECO INC.**  
 TILLIT TESTING & ENGINEERING COMPANY  
 6355 N.W. 36th. St., Ste. 305, VIRGINIA GARDENS, FL 33166  
 Phone : (305)871-1530 . Fax : (305)871-1531  
 CA-0006719  
 WALTER A. TILLIT Jr. P.E.  
 FLORIDA Lic. # 44167

**SERIES VPF 8000 ALUMINUM  
FIXED WINDOW-LMI**  
  
 290 WEST 78 ROAD  
 HIALEAH, FL 33014  
 PH: (954)226-5555/(305)558-8103  
 FAX: (305)558-6665  
 www.gigwindows.com

REV. NO	DESCRIPTION	DATE	REV. No	DESCRIPTION	DATE
1	OLD 20-279	09/12/23	3	-	-
2	-	-	4	-	-

W.H  
 DRAWN BY:  
 09/12/2023  
 DATE:  
**23-210**  
 DRAWING No.  
 SHEET 24 OF 31

SCHEDULE #1: VALID FOR INSTALLATIONS ON SHEETS 6 THRU 15 (VERTICAL ORIENTATION)							
MAX. ASD. DESIGN PRESSURE RATING AND CORRESPONDING MAX. FRAME, VENT & DLO. DIMENSIONS FOR FIXED WINDOWS							
MAX. ASD DESIGN PRESSURE RATING	MAX. FRAME WIDTH	MAX. FRAME HEIGHT	MAX. VENT WIDTH	MAX. VENT HEIGHT	MAX. D.L.O. WIDTH	MAX. D.L.O. HEIGHT	REQ'D. GLASS TYPE
+72.0, -72.0	42"	74"	41"	72 9/16"	35 5/8"	67 3/16"	(A) (B) (C) (D)
+105.0, -105.0	42"	55"	41"	53 1/2"	35 5/8"	48 1/16"	(B) (C)
+110.0, -110.0	40"	58"	39"	56 1/2"	33 5/8"	51 1/16"	(B) (C)
+120.0, -120.0	37"	63"	36"	61 1/2"	30 5/8"	56 1/16"	(B) (C)

SCHEDULE #2: VALID FOR INSTALLATIONS ON SHEETS 6 THRU 15 (HORIZONTAL ORIENTATION)							
MAX. ASD. DESIGN PRESSURE RATING AND CORRESPONDING MAX. FRAME, VENT & DLO. DIMENSIONS FOR FIXED WINDOWS							
MAX. ASD DESIGN PRESSURE RATING	MAX. FRAME WIDTH	MAX. FRAME HEIGHT	MAX. VENT WIDTH	MAX. VENT HEIGHT	MAX. D.L.O. WIDTH	MAX. D.L.O. HEIGHT	REQ'D. GLASS TYPE
+72.0, -72.0	74"	42"	72 9/16"	41"	67 3/16"	35 5/8"	(A) (B) (C) (D)
+105.0, -105.0	55"	42"	53 1/2"	41"	48 1/16"	35 5/8"	(B) (C)
+110.0, -110.0	58"	40"	56 1/2"	39"	51 1/16"	33 5/8"	(B) (C)
+120.0, -120.0	63"	37"	61 1/2"	36"	56 1/16"	30 5/8"	(B) (C)

WALTER A. TILLIT JR.  
 LICENSE  
 No. 44167  
 STATE OF FLORIDA  
 PROFESSIONAL ENGINEER  
 09/12/2023  
 P.E. SEAL/SIGNATURE/DATE

FLORIDA BUILDING CODE (HIGH & NON HIGH VELOCITY HURRICANE ZONE)

©2023 TILTECO, INC.		<b>SERIES VPF 8000 ALUMINUM FIXED WINDOW-LMI</b>	W.H DRAWN BY:		
TILLIT TESTING & ENGINEERING COMPANY 6355 N.W. 36th St., Ste. 305, VIRGINIA GARDENS, FL 33166 Phone : (305)871-1530 . Fax : (305)871-1531 CA-0006719 WALTER A. TILLIT Jr. P.E. FLORIDA Lic. # 44167		290 WEST 78 ROAD HIALEAH, FL 33014 PH: (954)226-5555/(305)558-8103 FAX: (305)558-6665 www.gigwindows.com	09/12/2023 DATE:		
REV. NO    DESCRIPTION    DATE    REV. No    DESCRIPTION    DATE			<b>23-210</b> DRAWING No.		
1	OLD 20-279	09/12/23	3	-	-
2	-	-	4	-	-
			SHEET 25 OF 31		

**MAXIMUM ANCHOR SPACING "S" AT ATTACHED JAMB FOR FIXED WINDOWS (VERTICAL ORIENTATION)**

SUBSTRATE	ANCHOR TYPE	MAX. ASD DESIGN PRESSURE RATING (psf.)	MAX. FRAME WIDTH	MAX. FRAME HEIGHT	"S" (O.C.) AT JAMB
POURED CONCRETE f'c=3000psi	(12) OR (12A)	+72.0, -72.0	42"	74"	15"
		+75.0, -75.0	42"	55"	14"
			40"	58"	15"
		+80.0, -80.0	37"	63"	16"
			42"	55"	13"
		+85.0, -85.0	40"	58"	14"
			37"	63"	15"
		+90.0, -90.0	42"	55"	12"
			40"	58"	13"
		+95.0, -95.0	37"	63"	13"
			42"	55"	11"
		+100.0, -100.0	40"	58"	12"
			37"	63"	12"
		+105.0, -105.0	42"	55"	10"
			40"	58"	11"
		+110.0, -110.0	37"	63"	11"
40"	58"		10"		
+115.0, -115.0	37"	63"	10"		
	+120.0, -120.0	37"	63"	10"	

**CONTINUED**

SUBSTRATE	ANCHOR TYPE	MAX. ASD DESIGN PRESSURE RATING (psf.)	MAX. FRAME WIDTH	MAX. FRAME HEIGHT	"S" (O.C.) AT JAMB
CONCRETE BLOCK	(12) OR (12A)	+72.0, -72.0	42"	74"	12"
		+75.0, -75.0	42"	55"	12"
			40"	58"	12"
		+80.0, -80.0	37"	63"	13"
			42"	55"	11"
		+85.0, -85.0	40"	58"	12"
			37"	63"	13"
		+90.0, -90.0	42"	55"	10"
			40"	58"	10"
		+95.0, -95.0	37"	63"	11"
			42"	55"	9"
		+100.0, -100.0	40"	58"	10"
			37"	63"	10"
		+105.0, -105.0	42"	55"	9"
			40"	58"	9"
		+110.0, -110.0	37"	63"	9"
40"	58"		8"		
+115.0, -115.0	37"	63"	9"		
	+120.0, -120.0	37"	63"	8"	

**CONTINUED**

SUBSTRATE	ANCHOR TYPE	MAX. ASD DESIGN PRESSURE RATING (psf.)	MAX. FRAME WIDTH	MAX. FRAME HEIGHT	"S" (O.C.) AT JAMB
ALUMINUM OR STEEL	(13)	+72.0, -72.0	42"	74"	16"
		+75.0, -75.0	42"	55"	16"
			40"	58"	16"
		+80.0, -80.0	37"	63"	16"
			42"	55"	16"
		+85.0, -85.0	40"	58"	16"
			37"	63"	16"
		+90.0, -90.0	42"	55"	15"
			40"	58"	15"
		+95.0, -95.0	37"	63"	16"
			42"	55"	13"
		+100.0, -100.0	40"	58"	14"
			37"	63"	14"
		+105.0, -105.0	42"	55"	12"
			40"	58"	13"
		+110.0, -110.0	37"	63"	14"
40"	58"		12"		
+115.0, -115.0	37"	63"	13"		
	+120.0, -120.0	37"	63"	12"	


**CONTINUED**

SUBSTRATE	ANCHOR TYPE	MAX. ASD DESIGN PRESSURE RATING (psf.)	MAX. FRAME WIDTH	MAX. FRAME HEIGHT	"S" (O.C.) AT JAMB
WOOD	(12) OR (12A)	+72.0, -72.0	42"	74"	15"
		+75.0, -75.0	42"	55"	14"
			40"	58"	15"
		+80.0, -80.0	37"	63"	16"
			42"	55"	13"
		+85.0, -85.0	40"	58"	14"
			37"	63"	15"
		+90.0, -90.0	42"	55"	12"
			40"	58"	12"
		+95.0, -95.0	37"	63"	13"
			42"	55"	11"
		+100.0, -100.0	40"	58"	12"
			37"	63"	13"
		+105.0, -105.0	42"	55"	11"
			40"	58"	11"
		+110.0, -110.0	37"	63"	11"
40"	58"		10"		
+115.0, -115.0	37"	63"	11"		
	+120.0, -120.0	37"	63"	10"	

WALTER A. TILLIT JR.  
LICENSE  
No. 44167  
STATE OF FLORIDA  
PROFESSIONAL ENGINEER  
W.A.T. 9/12/2023  
P.E. SEAL/SIGNATURE/DATE

FLORIDA BUILDING CODE (HIGH & NON HIGH VELOCITY HURRICANE ZONE)

©2023 TILTECO, INC.  
**TILTECO inc.**  
TILLIT TESTING & ENGINEERING COMPANY  
6355 N.W. 36th St., Ste. 305, VIRGINIA GARDENS, FL 33166  
Phone : (305)871-1530 . Fax : (305)871-1531  
CA-0006719  
WALTER A. TILLIT Jr. P.E.  
FLORIDA Lic. # 44167

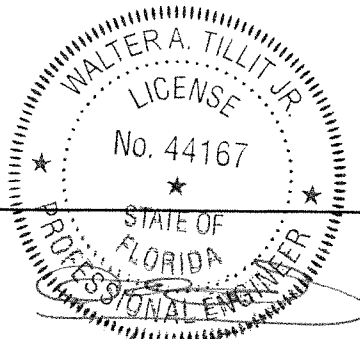
SERIES VPF 8000 ALUMINUM FIXED WINDOW-LMI						W.H DRAWN BY:
 290 WEST 78 ROAD HIALEAH, FL 33014 PH: (954)226-5555/(305)558-8103 FAX: (305)558-6665 www.gigwindows.com						09/12/2023 DATE:
						23-210 DRAWING No.
REV. NO	DESCRIPTION	DATE	REV. No	DESCRIPTION	DATE	SHEET 26 OF 31
1	OLD 20-279	09/12/23	3	-	-	
2	-	-	4	-	-	

MAXIMUM ANCHOR SPACING "S" AT ATTACHED HEAD/SILL FOR FIXED WINDOWS (HORIZONTAL ORIENTATION)					
SUBSTRATE	ANCHOR TYPE	MAX. ASD DESIGN PRESSURE RATING (psf.)	MAX. FRAME WIDTH	MAX. FRAME HEIGHT	"S" (O.C.) AT JAMB
POURED CONCRETE f'c=3000psi	⑫ OR ⑫A	+72.0, -72.0	74"	42"	15"
			55"	42"	14"
		+75.0, -75.0	58"	40"	15"
			63"	37"	16"
		+80.0, -80.0	55"	42"	13"
			58"	40"	14"
			63"	37"	15"
		+85.0, -85.0	55"	42"	12"
			58"	40"	13"
			63"	37"	14"
		+90.0, -90.0	55"	42"	12"
			58"	40"	12"
			63"	37"	13"
		+95.0, -95.0	55"	42"	11"
			58"	40"	12"
			63"	37"	13"
		+100.0, -100.0	55"	42"	11"
			58"	40"	11"
			63"	37"	12"
		+105.0, -105.0	55"	42"	10"
			58"	40"	11"
			63"	37"	11"
		+110.0, -110.0	58"	40"	10"
			63"	37"	11"
+115.0, -115.0	63"	37"	10"		
+120.0, -120.0	63"	37"	10"		


CONTINUED					
SUBSTRATE	ANCHOR TYPE	MAX. ASD DESIGN PRESSURE RATING (psf.)	MAX. FRAME WIDTH	MAX. FRAME HEIGHT	"S" (O.C.) AT JAMB
CONCRETE BLOCK	⑫ OR ⑫A	+72.0, -72.0	74"	42"	12"
			55"	42"	12"
		+75.0, -75.0	58"	40"	12"
			63"	37"	13"
			55"	42"	11"
		+80.0, -80.0	58"	40"	12"
			63"	37"	13"
			55"	42"	10"
		+85.0, -85.0	58"	40"	11"
			63"	37"	12"
			55"	42"	10"
		+90.0, -90.0	58"	40"	10"
			63"	37"	11"
			55"	42"	9"
		+95.0, -95.0	58"	40"	10"
			63"	37"	10"
			55"	42"	9"
		+100.0, -100.0	58"	40"	9"
			63"	37"	10"
			55"	42"	8"
		+105.0, -105.0	58"	40"	9"
			63"	37"	9"
			58"	40"	8"
		+110.0, -110.0	63"	37"	9"
63"	37"		9"		
+115.0, -115.0	63"	37"	9"		
+120.0, -120.0	63"	37"	8"		


CONTINUED					
SUBSTRATE	ANCHOR TYPE	MAX. ASD DESIGN PRESSURE RATING (psf.)	MAX. FRAME WIDTH	MAX. FRAME HEIGHT	"S" (O.C.) AT JAMB
ALUMINUM OR STEEL	⑬	+72.0, -72.0	74"	42"	16"
			55"	42"	16"
		+75.0, -75.0	58"	40"	16"
			63"	37"	16"
			55"	42"	16"
		+80.0, -80.0	58"	40"	16"
			63"	37"	16"
			55"	42"	15"
		+85.0, -85.0	58"	40"	16"
			63"	37"	16"
			55"	42"	14"
		+90.0, -90.0	58"	40"	15"
			63"	37"	16"
			55"	42"	13"
		+95.0, -95.0	58"	40"	14"
			63"	37"	15"
			55"	42"	13"
		+100.0, -100.0	58"	40"	13"
			63"	37"	14"
			55"	42"	12"
		+105.0, -105.0	58"	40"	13"
			63"	37"	14"
			58"	40"	12"
		+110.0, -110.0	63"	37"	13"
63"	37"		12"		
+115.0, -115.0	63"	37"	12"		
+120.0, -120.0	63"	37"	12"		

CONTINUED					
SUBSTRATE	ANCHOR TYPE	MAX. ASD DESIGN PRESSURE RATING (psf.)	MAX. FRAME WIDTH	MAX. FRAME HEIGHT	"S" (O.C.) AT JAMB
WOOD	⑫ OR ⑫A	+72.0, -72.0	74"	42"	15"
			55"	42"	14"
		+75.0, -75.0	58"	40"	15"
			63"	37"	16"
			55"	42"	13"
		+80.0, -80.0	58"	40"	14"
			63"	37"	15"
			55"	42"	12"
		+85.0, -85.0	58"	40"	13"
			63"	37"	14"
			55"	42"	12"
		+90.0, -90.0	58"	40"	12"
			63"	37"	13"
			55"	42"	11"
		+95.0, -95.0	58"	40"	12"
			63"	37"	13"
			55"	42"	11"
		+100.0, -100.0	58"	40"	11"
			63"	37"	12"
			55"	42"	10"
		+105.0, -105.0	58"	40"	11"
			63"	37"	11"
			58"	40"	10"
		+110.0, -110.0	63"	37"	11"
63"	37"		10"		
+115.0, -115.0	63"	37"	10"		
+120.0, -120.0	63"	37"	10"		

  
 WALTER A. TILLIT JR.  
 LICENSE  
 No. 44167  
 STATE OF FLORIDA  
 PROFESSIONAL ENGINEER  
 09/12/2023  
 P.E. SEAL/SIGNATURE/DATE

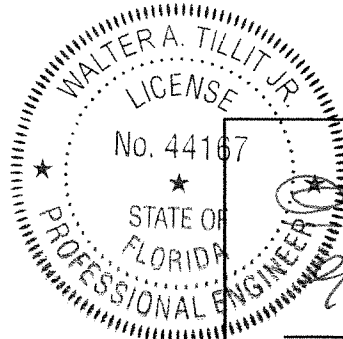
FLORIDA BUILDING CODE (HIGH & NON HIGH VELOCITY HURRICANE ZONE)

©2023 TILTECO, INC.  
  
 TILLIT TESTING & ENGINEERING COMPANY  
 6355 N.W. 36th. St., Ste. 305, VIRGINIA GARDENS, FL 33166  
 Phone : (305)871-1530 . Fax : (305)871-1531  
 CA-0006719  
 WALTER A. TILLIT Jr. P.E.  
 FLORIDA Lic. # 44167

SERIES VPF 8000 ALUMINUM FIXED WINDOW-LMI						W.H DRAWN BY:
						09/12/2023 DATE:
290 WEST 78 ROAD HIALEAH, FL 33014 PH: (954)226-5555/(305)558-8103 FAX: (305)558-6665 www.gigwindows.com						<b>23-210</b>
REV. NO	DESCRIPTION	DATE	REV. No	DESCRIPTION	DATE	DRAWING No.
1	OLD 20-279	09/12/23	3	-	-	SHEET 27 OF 31
2	-	-	4	-	-	

SCHEDULE #5: VALID FOR INSTALLATIONS PER SHEETS 7, 8, 11, 15 (AS APPLICABLE) (VERTICAL ORIENTATION)							
MAXIMUM # OF ANCHORS "n" AT EA. OF TWO CLUSTERS AT HEAD OR SILL FOR FIXED WINDOWS WHEN JAMBS ARE NOT ATTACHED TO WALL							
SUBSTRATE	ANCHOR TYPE	MAX. ASD DESIGN PRESSURE RATING (psf.)	MAX. FRAME WIDTH	MAX. FRAME HEIGHT	"n"		
POURED CONCRETE f'c=3000psi	(12) OR (12A)	+72.0, -72.0	42"	74"	3		
		+75.0, -75.0 TO +80.0, -80.0	42"	55"	2		
			40"	58"	2		
			37"	63"	2		
		+85.0, -85.0 TO +115.0, -115.0	42"	55"	3		
			40"	58"	3		
			37"	63"	3		
		+120.0, -120.0	37"	63"	3		
		ALUMINUM OR STEEL	(13)	+72.0, -72.0	42"	74"	2
				+75.0, -75.0 TO +95.0, -95.0	42"	55"	2
40"	58"				2		
37"	63"				2		
+100.0, -100.0 TO +115.0, -115.0	42"			55"	3		
	40"			58"	3		
	37"			63"	3		
+120.0, -120.0	37"			63"	3		

SCHEDULE #5 (CONTINUED)							
SUBSTRATE	ANCHOR TYPE	MAX. ASD DESIGN PRESSURE RATING (psf.)	MAX. FRAME WIDTH	MAX. FRAME HEIGHT	"n"		
CONCRETE BLOCK	(12) OR (12A)	+72.0, -72.0	42"	74"	3		
		+75.0, -75.0 TO +100.0, -100.0	42"	55"	3		
			40"	58"	3		
			37"	63"	3		
		+105.0, -105.0 TO +115.0, -115.0	42"	55"	4		
			40"	58"	4		
			37"	63"	4		
		+120.0, -120.0	37"	63"	4		
		WOOD	(12) OR (12A)	+72.0, -72.0	42"	74"	3
				+75.0, -75.0 TO +80.0, -80.0	42"	55"	2
40"	58"				2		
37"	63"				2		
+85.0, -85.0 TO +115.0, -115.0	42"			55"	3		
	40"			58"	3		
	37"			63"	3		
+120.0, -120.0	37"			63"	3		



*[Signature]*  
P.E. SEAL/SIGNATURE/DATE

©2023 TILTECO, INC.

**TILTECO INC.**

TILLIT TESTING & ENGINEERING COMPANY  
6355 N.W. 36th. St., Ste. 305, VIRGINIA GARDENS, FL. 33166  
Phone : (305)871-1530 . Fax : (305)871-1531  
CA-0006719  
WALTER A. TILLIT Jr. P.E.  
FLORIDA Lic. # 44167

FLORIDA BUILDING CODE (HIGH & NON HIGH VELOCITY HURRICANE ZONE)

**SERIES VPF 8000 ALUMINUM  
FIXED WINDOW-LMI**

W.H  
DRAWN BY:

09/12/2023  
DATE:

**23-210**  
DRAWING No.

290 WEST 78 ROAD  
HIALEAH, FL. 33014  
PH: (954)226-5555/(305)558-8103  
FAX: (305)558-6665  
www.gigwindows.com

REV. NO	DESCRIPTION	DATE	REV. No	DESCRIPTION	DATE
1	OLD 20-279	09/12/23	3	-	-
2	-	-	4	-	-

SHEET 28 OF 31

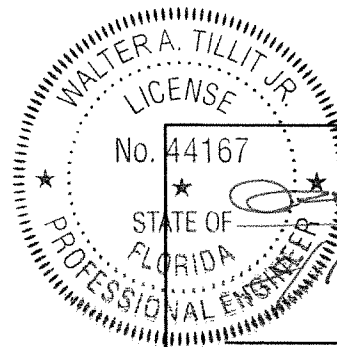
**SCHEDULE #6: VALID FOR INSTALLATIONS PER SHEETS 7, 9, 10, 12, 13, 14, 15(AS APPLICABLE) (HORIZONTAL ORIENTATION)**

**MAXIMUM # OF ANCHORS "n" AT EA. OF TWO CLUSTERS AT JAMBS FOR FIXED WINDOWS WHEN HEAD/SILL ARE NOT ATTACHED TO WALL**

SUBSTRATE	ANCHOR TYPE	MAX. ASD DESIGN PRESSURE RATING (psf.)	MAX. FRAME WIDTH	MAX. FRAME HEIGHT	"n"
POURED CONCRETE f'c=3000psi	⑫ OR ⑫A	+72.0, -72.0	74"	42"	3
		+75.0, -75.0 TO +80.0, -80.0	55"	42"	2
			58"	40"	2
		+85.0, -85.0 TO +115.0, -115.0	63"	37"	2
			55"	42"	3
		58"	40"	3	
63"	37"	3			
ALUMINUM OR STEEL	⑬	+72.0, -72.0	74"	42"	2
		+75.0, -75.0 TO +95.0, -95.0	55"	42"	2
			58"	40"	2
		+100.0, -100.0 TO +115.0, -115.0	63"	37"	2
			55"	42"	3
		58"	40"	3	
63"	37"	3			
+120.0, -120.0	63"	37"	3		

**SCHEDULE #6 (CONTINUED)**

SUBSTRATE	ANCHOR TYPE	MAX. ASD DESIGN PRESSURE RATING (psf.)	MAX. FRAME WIDTH	MAX. FRAME HEIGHT	"n"
CONCRETE BLOCK	⑫ OR ⑫A	+72.0, -72.0	74"	42"	3
		+75.0, -75.0 TO +100.0, -100.0	55"	42"	3
			58"	40"	3
		+105.0, -105.0 TO +115.0, -115.0	63"	37"	3
			55"	42"	4
		58"	40"	4	
63"	37"	4			
WOOD	⑫ OR ⑫A	+120.0, -120.0	63"	37"	4
		+72.0, -72.0	74"	42"	3
		+75.0, -75.0 TO +80.0, -80.0	55"	42"	2
			58"	40"	2
		+85.0, -85.0 TO +115.0, -115.0	63"	37"	2
			55"	42"	3
58"	40"	3			
63"	37"	3			
+120.0, -120.0	63"	37"	3		



P.E. SEAL/SIGNATURE/DATE

FLORIDA BUILDING CODE (HIGH & NON HIGH VELOCITY HURRICANE ZONE)

 ©2023 TILTECO, INC. TILTECO INC. TILLIT TESTING & ENGINEERING COMPANY 6355 N.W. 36th St., Ste. 305, VIRGINIA GARDENS, FL 33166 Phone: (305)871-1530 Fax: (305)871-1531 CA-0006719 WALTER A. TILLIT Jr. P.E. FLORIDA Lic. # 44167		SERIES VPF 8000 ALUMINUM FIXED WINDOW-LMI  290 WEST 78 ROAD HIALEAH, FL 33014 PH: (954)226-5555/(305)558-8103 FAX: (305)558-6665 www.gigwindows.com	W.H. DRAWN BY: 09/12/2023 DATE: <b>23-210</b> DRAWING No. SHEET 29 OF 31		
REV. NO	DESCRIPTION	DATE	REV. No	DESCRIPTION	DATE
1	OLD 20-279	09/12/23	3	-	-
2	-	-	4	-	-

SCHEDULE #7: VALID FOR INSTALLATIONS PER SHEET 15

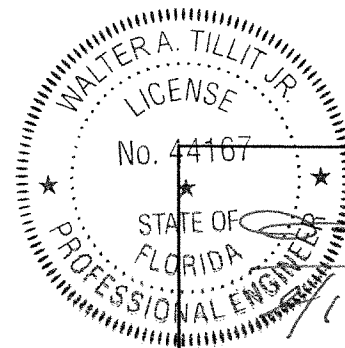
MAXIMUM # OF ANCHORS "n" AT CLUSTER AT EA. END OF HORIZONTAL CENTER POST ③ AT JAMBS FOR VERTICAL COMBINATION OF VERTICALLY ORIENTED FIXED WINDOWS

SUBSTRATE	ANCHOR TYPE	MAX. ASD DESIGN PRESSURE RATING (psf.)	MAX. FRAME WIDTH	MAX. FRAME HEIGHT	"n"		
POURED CONCRETE f'c=3000psi	⑫ OR ⑫A	+72.0, -72.0	42"	74"	6		
		+75.0, -75.0 TO +80.0, -80.0	42"	55"	4		
			40"	58"	4		
		+85.0, -85.0 TO +115.0, -115.0	37"	63"	4		
			42"	55"	6		
			40"	58"	6		
		+120.0, -120.0	37"	63"	6		
			37"	63"	6		
		ALUMINUM OR STEEL	⑬	+72.0, -72.0	42"	74"	4
				+75.0, -75.0 TO +95.0, -95.0	42"	55"	4
40"	58"				4		
37"	63"				4		
+100.0, -100.0 TO +115.0, -115.0	42"			55"	6		
	40"			58"	6		
	37"			63"	6		
+120.0, -120.0	37"			63"	6		

SCHEDULE #7 (CONTINUED)

SUBSTRATE	ANCHOR TYPE	MAX. ASD DESIGN PRESSURE RATING (psf.)	MAX. FRAME WIDTH	MAX. FRAME HEIGHT	"n"		
CONCRETE BLOCK	⑫ OR ⑫A	+72.0, -72.0	42"	74"	6		
		+75.0, -75.0 TO +100.0, -100.0	42"	55"	6		
			40"	58"	6		
			37"	63"	6		
		+105.0, -105.0 TO +115.0, -115.0	42"	55"	8		
			40"	58"	8		
			37"	63"	8		
			+120.0, -120.0	37"	63"	8	
		WOOD	⑫ OR ⑫A	+72.0, -72.0	42"	74"	6
				+75.0, -75.0 TO +80.0, -80.0	42"	55"	4
40"	58"				4		
37"	63"				4		
+85.0, -85.0 TO +115.0, -115.0	42"			55"	6		
	40"			58"	6		
	37"			63"	6		
+120.0, -120.0	37"			63"	6		

\* TOTAL NUMBER OF ANCHORS SHALL BE UNIFORMLY DISTRIBUTED AT (n/2) ANCHORS ABOVE & BELOW OF HORIZONTAL CENTER POST ③ AT JAMBS



P.E. SEAL/SIGNATURE/DATE

FLORIDA BUILDING CODE (HIGH & NON HIGH VELOCITY HURRICANE ZONE)

©2023 TILTECO, INC.		SERIES VPF 8000 ALUMINUM FIXED WINDOW-LMI		W.H DRAWN BY:	
 TILLIT TESTING & ENGINEERING COMPANY 6355 N.W. 36th St., Ste. 305, VIRGINIA GARDENS, FL 33166 Phone: (305)871-1530 Fax: (305)871-1531 CA-0006719 WALTER A. TILLIT Jr., P.E. FLORIDA Lic. # 44167		 290 WEST 78 ROAD HIALEAH, FL 33014 PH: (954)226-5555/(305)558-8103 FAX: (305)558-6665 www.gigwindows.com		09/12/2023	
				DATE:	
				23-210	
				DRAWING No.	
				SHEET 30 OF 31	

REV. NO	DESCRIPTION	DATE	REV. No	DESCRIPTION	DATE
1	OLD 20-279	09/12/23	3	-	-
2	-	-	4	-	-

**SCHEDULE #8: VALID FOR INSTALLATIONS PER SHEET 15**

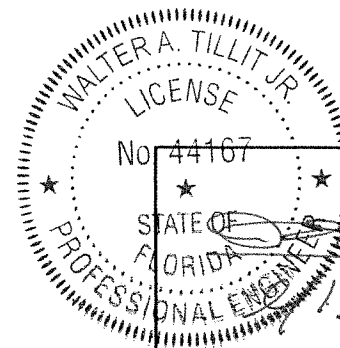
**MAXIMUM # OF ANCHORS "n" AT CLUSTER AT EA. END OF HORIZONTAL CENTER POST ③ AT JAMBS FOR VERTICAL COMBINATION OF HORIZONTALLY ORIENTED FIXED, CASEMENT & AWNINGS WINDOWS**

SUBSTRATE	ANCHOR TYPE	MAX. ASD DESIGN PRESSURE RATING (psf.)	MAX. FRAME WIDTH	MAX. FRAME HEIGHT	"n"
POURED CONCRETE f'c=3000psi	⑫ OR ⑫A	+72.0, -72.0	74"	42"	6
		+75.0, -75.0 TO +80.0, -80.0	55"	42"	4
			58"	40"	4
			63"	37"	4
		+85.0, -85.0 TO +115.0, -115.0	55"	42"	6
			58"	40"	6
	63"	37"	6		
		+120.0, -120.0	63"	37"	6
ALUMINUM OR STEEL	⑬	+72.0, -72.0	74"	42"	4
		+75.0, -75.0 TO +95.0, -95.0	55"	42"	4
			58"	40"	4
			63"	37"	4
		+100.0, -100.0 TO +115.0, -115.0	55"	42"	6
			58"	40"	6
	63"	37"	6		
		+120.0, -120.0	63"	37"	6

**SCHEDULE #8 (CONTINUED)**

SUBSTRATE	ANCHOR TYPE	MAX. ASD DESIGN PRESSURE RATING (psf.)	MAX. FRAME WIDTH	MAX. FRAME HEIGHT	"n"
CONCRETE BLOCK	⑫ OR ⑫A	+72.0, -72.0	74"	42"	6
		+75.0, -75.0 TO +100.0, -100.0	55"	42"	6
			58"	40"	6
			63"	37"	6
		+105.0, -105.0 TO +115.0, -115.0	55"	42"	8
			58"	40"	8
	63"	37"	8		
		+120.0, -120.0	63"	37"	8
WOOD	⑫ OR ⑫A	+72.0, -72.0	74"	42"	6
		+75.0, -75.0 TO +80.0, -80.0	55"	42"	4
			58"	40"	4
			63"	37"	4
		+85.0, -85.0 TO +115.0, -115.0	55"	42"	6
			58"	40"	6
	63"	37"	6		
		+120.0, -120.0	63"	37"	6

\* TOTAL NUMBER OF ANCHORS SHALL BE UNIFORMLY DISTRIBUTED AT (n/2) ANCHORS ABOVE & BELOW OF HORIZONTAL CENTER POST ③ AT JAMBS



P.E. SEAL/SIGNATURE/DATE

FLORIDA BUILDING CODE (HIGH & NON HIGH VELOCITY HURRICANE ZONE)

©2023 TILTECO, INC.



TILLIT TESTING & ENGINEERING COMPANY  
6355 N.W. 36th St., Ste. 305, VIRGINIA GARDENS, FL 33166  
Phone : (305)871-1530 . Fax : (305)871-1531  
CA-0006719  
WALTER A. TILLIT Jr. P.E.  
FLORIDA Lic. # 44167

**SERIES VPF 8000 ALUMINUM  
FIXED WINDOW-LMI**



290 WEST 78 ROAD  
HIALEAH, FL 33014  
PH: (954)226-5555/(305)558-8103  
FAX: (305)558-6665  
www.gigwindows.com

W.H  
DRAWN BY:

09/12/2023  
DATE:

**23-210**

DRAWING No.

REV. NO	DESCRIPTION	DATE	REV. No	DESCRIPTION	DATE
1	OLD 20-279	09/12/23	3	-	-
2	-	-	4	-	-

SHEET 31 OF 31