



Product Approval
USER: Public User

[Product Approval Menu](#) > [Product or Application Search](#) > [Application List](#) > **Application Detail**

OFFICE OF THE
SECRETARY

FL #	FL42323										
Application Type	New										
Code Version	2023										
Application Status	Approved										
Comments											
Archived	<input type="checkbox"/>										
Product Manufacturer	GIG Windows & Doors										
Address/Phone/Email	290 W 78 Road Hialeah, FL 33014 (305) 558-8103 tony@generalimpact.com										
Authorized Signature	Jose Zuniga tony@generalimpact.com										
Technical Representative											
Address/Phone/Email											
Quality Assurance Representative											
Address/Phone/Email											
Category	Exterior Doors										
Subcategory	Sliding Exterior Door Assemblies										
Compliance Method	Evaluation Report from a Florida Registered Architect or a Licensed Florida Professional Engineer <input type="checkbox"/> Evaluation Report - Hardcopy Received										
Florida Engineer or Architect Name who developed the Evaluation Report	Walter A. Tillit Jr., P.E.										
Florida License	PE-44167										
Quality Assurance Entity	National Accreditation and Management Institute										
Quality Assurance Contract Expiration Date	12/31/2026										
Validated By	John W. Knezevich, PE <input checked="" type="checkbox"/> Validation Checklist - Hardcopy Received										
Certificate of Independence	FL42323_R0_COI_COI Dwg 23-173 GIG Windows and Doors.pdf										
Referenced Standard and Year (of Standard)	<table border="0"> <thead> <tr> <th>Standard</th> <th>Year</th> </tr> </thead> <tbody> <tr> <td>ASTM E1300</td> <td>2009</td> </tr> <tr> <td>TAS 201</td> <td>1994</td> </tr> <tr> <td>TAS 202</td> <td>1994</td> </tr> <tr> <td>TAS 203</td> <td>1994</td> </tr> </tbody> </table>	Standard	Year	ASTM E1300	2009	TAS 201	1994	TAS 202	1994	TAS 203	1994
Standard	Year										
ASTM E1300	2009										
TAS 201	1994										
TAS 202	1994										
TAS 203	1994										
Equivalence of Product Standards Certified By											
Sections from the Code											

Product Approval Method

Method 1 Option D

Date Submitted

08/17/2023

Date Validated

08/18/2023

Date Pending FBC Approval

08/23/2023

Date Approved

10/17/2023

Summary of Products

FL #	Model, Number or Name	Description
42323.1	Series 26000 High Impact Sliding Glass Door Large & Small Missile	Door system made of laminated or insulated laminated impact resistant glass retained by aluminum profile frame, wet glazed.
Limits of Use Approved for use in HVHZ: Yes Approved for use outside HVHZ: Yes Impact Resistant: Yes Design Pressure: +varies/-varies Other: ASD Pressure Rating varies; see sheets 8 & 9 of installation drawing for ASD pressures and corresponding door sizes. See Section 7 of Evaluation Report for additional Limitations and Conditions of Use.		Installation Instructions FL42323_R0_II_PED Dwg 23-173 GIG Windows and Doors.pdf Verified By: Walter A. Tillit Jr., P.E. PE 44167 Created by Independent Third Party: Yes Evaluation Reports FL42323_R0_AE_PER Dwg 23-173 GIG Windows and Doors.pdf Created by Independent Third Party: Yes

[Back](#)

[Next](#)

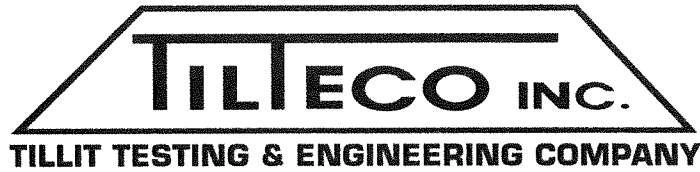
Contact Us :: 2601 Blair Stone Road, Tallahassee FL 32399 Phone: 850-487-1824

The State of Florida is an AA/EEO employer. [Copyright 2007-2013 State of Florida.](#) :: [Privacy Statement](#) :: [Accessibility Statement](#) :: [Refund Statement](#)

Under Florida law, email addresses are public records. If you do not want your e-mail address released in response to a public-records request, do not send electronic mail to this entity. Instead, contact the office by phone or by traditional mail. If you have any questions, please contact 850.487.1395. *Pursuant to Section 455.275(1), Florida Statutes, effective October 1, 2012, licensees licensed under Chapter 455, F.S. must provide the Department with an email address if they have one. The emails provided may be used for official communication with the licensee. However email addresses are public record. If you do not wish to supply a personal address, please provide the Department with an email address which can be made available to the public. To determine if you are a licensee under Chapter 455, F.S., please click [here](#).

Product Approval Accepts:





WALTER A. TILLIT, JR., P.E.

CERTIFICATE OF INDEPENDENCE

tilteco@aol.com
FL P.E. License No. 44167
FL C.A. License No. 0006719

Evaluation Report #: 23-0811.01

Date: August 11, 2023

Product Category: Exterior Door

Product Subcategory: Sliding Exterior Door Assemblies

Product Name: **SERIES 26000 HIGH IMPACT SLIDING
GLASS DOOR LARGE AND SMALL MISSILE**

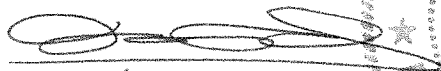
Manufacturer Name: **GIG Windows & Doors**
290 West 78th Road
Hialeah, FL 33014

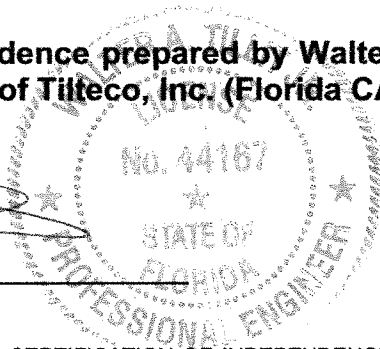
Dear Sir (Madam):

This is to certify that this Florida Professional Engineer, performing this evaluation does not have nor will acquire, a financial interest in any company manufacturing or distributing products for which the reports are being issued.

This is also to certify that this Florida Professional Engineer performing this evaluation does not have, nor will acquire, a financial interest in any other entity involved in the approval process of the product.

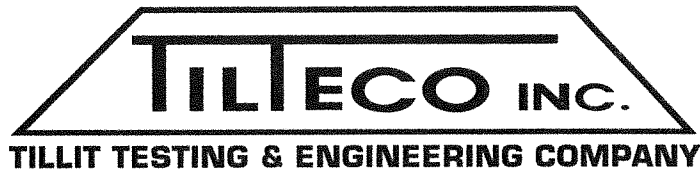
Certificate of Independence prepared by Walter A. Tillit, Jr., P.E. (Florida License No. 44167), President of Tilteco, Inc. (Florida CA-0006719).


8/11/2023



WAT\ma

D:\TILTECO ADMIN RECORDS \ CERTIFICATION OF INDEPENDENCE \ GIG WINDOWS & DOORS \ SERIES 26000 HIGH IMPACT SLIDING GLASS DOOR LARGE AND SMALL MISSILE \ EVALUATION REPORT # 23-0811.01



WALTER A. TILLIT, JR., P.E.

tilteco@aol.com
FL P.E. License No. 44167
FL C.A. License No. 0006719

PRODUCT EVALUATION REPORT

REPORT No.: 23-0811.01

DATE: August 11, 2023

PRODUCT CATEGORY: Exterior Doors

PRODUCT SUB-CATEGORY: Sliding Exterior Door Assemblies

PRODUCT NAME: **SERIES 26000 HIGH IMPACT SLIDING
GLASS DOOR LARGE & SMALL
MISSILE**

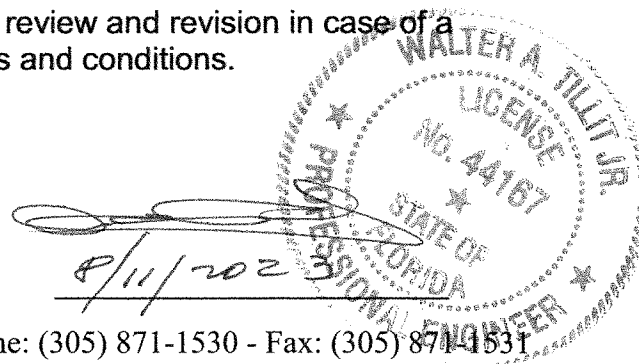
MANUFACTURER: **GIG Windows & Doors**
290 West 78th Road
Hialeah, FL 33014

1. PURPOSE OF EVALUATION:

This is a Product Evaluation Report issued by **Walter A. Tillit, Jr., P.E.** (System ID # 1906) to **GIG Windows & Doors**, based on **Rule Chapter No. 61G20-3, Method 1D of the Florida Department of Business and Professional Regulation.**

This product is being issued an Evaluation Report as described herein and has been verified for compliance in accordance with the 2023 8th Edition of the Florida Building Code, and to verify that the product is for the purpose intended at least equivalent to that required by the Code.

This Product Evaluation Report shall be subject to review and revision in case of a Building Code change that may affect its limitations and conditions.



2. EVIDENCE SUBMITTED:

2.1. PRODUCT EVALUATION DOCUMENT (P.E.D.):

Drawing No. 23-173, titled “**SERIES 26000 HIGH IMPACT SLIDING GLASS DOOR LARGE & SMALL MISSILE**” sheets 1 thru 26 (includes 17A, 18A, 19A, 20A & 20B) prepared by **Tilteco, Inc.**; signed and sealed by **Walter A. Tillit, Jr., P.E.**; dated **8/11/2023**. This drawing is an integral part of this Evaluation Report.

2.2. TEST REPORTS:

Impact and Cyclic Tests as per Protocol TAS-201, TAS-203, Uniform Static Load as per Protocol TAS 202 per sections 1626 and 1609.1.2, respectively of the Florida Building Code.

Test reports prepared by Fenestration Testing Lab Inc., Reports No.11026, 12031 & 12031.01 signed and sealed by Idalmis Ortega, P.E.

2.3. STRUCTURAL ENGINEERING CALCULATIONS:

On Series 26000 High Impact Sliding Glass Door Large & Small Missile for Maximum Pressure Rating vs. Maximum anchor spacing, maximum width and height, and Maximum Glass Size, based on rational and comparative analysis, in accordance with sections 1604 and 1616 of the Florida Building Code. Calculations prepared by Tilteco, Inc., dated 02/05/2020, 03/27/2017, 05/11/2020, and 08/05/2021 signed and sealed by Walter A. Tillit, Jr., P.E. Glass Verified per ASTM E-1300-09a, per section 2404.1 of the Florida Building Code.

3. MISSILE IMPACT RESISTANCE:

Large and Small Missile Impact resistance is provided per TAS 201, as applicable (Large Missile 50 ft/sec, Small Missile 130 ft/sec)

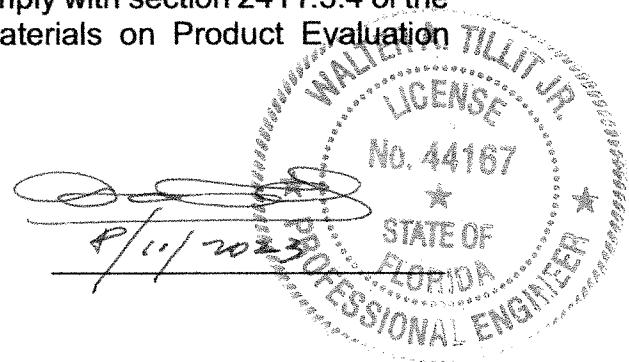
4. WIND LOADS RESISTANCE:

On Series 26000 High Impact Sliding Glass Door Large & Small Missile has been verified to keep sustain wind pressures. Maximum Glass Panel Dimensions, door width and height shall be as indicated on sheets 8 and 9 of Product Evaluation Document (P.E.D.), Drawing No. **23-173**

5. INSTALLATION:

Installation shall be performed strictly in accordance with General Notes # 3 thru 11, indicated on Product Evaluation Document (P.E.D.), drawing No. **23-173**.

Gaskets and setting blocks used at installations comply with section 2411.3.4 of the Florida Building Code as specified on Bill of Materials on Product Evaluation Document (P.E.D.), drawing No. **23-173**.



6. MATERIAL CHARACTERISTICS AND SPECIFICATIONS:

Shall be strictly in accordance with General Notes and Components indicated on, Product Evaluation Document (P.E.D.), **Drawing No. 23-173.**

Anchor specifications shall be as indicated on sheet 1, Note 9 of Product Evaluation Document (P.E.D.), Drawing No. **23-173.** Max anchor spacing shall be as indicated Product Evaluation Document (P.E.D), Drawing No. **23-173.**

7. LIMITATIONS AND CONDITIONS OF USE:

7.1. Shall be strictly in compliance with General Notes No. 1 thru 8, indicated on sheet 1 of Product Evaluation Document (P.E.D.), Drawing No. **23-173** prepared by Tilteco, Inc. and signed and sealed by Walter A. Tillit, Jr., P.E.

7.2. Product **may** be installed within HIGH VELOCITY HURRICANE ZONES as defined on section 202 of the Florida Building Code and out of it.

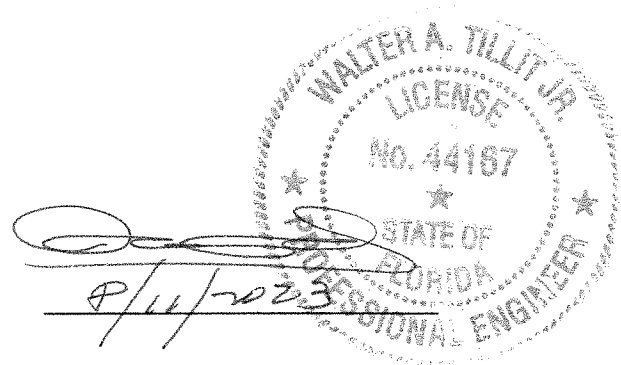
7.3. Product shall only be installed into substrates with limitations as indicated on of Product Evaluation Document (P.E.D.), Drawing No. **23-173.**

7.4. Product shall only be installed for Maximum pressure ratings as indicated on sheets 8, 9, 16 & 25 of Product Evaluation Document (P.E.D.), Drawing No 23-173

Product Evaluation Report prepared by Walter A. Tillit, Jr., P.E. (Florida License No. 44167), President of Tilteco, Inc. (Florida CA-0026719).

WATma

D:\TILTECO ADMIN RECORDS \ P. E. REPORT.23 \ GIG WINDOWS & DOORS \ SERIES 26000 HIGH IMPACT SLIDING GLASS DOOR LARGE & SMALL MISSILE\ DRWG # 23-173 \ REPORT # 23-0811.01



GENERAL NOTES:

- SERIES 26000 HIGH IMPACT SLIDING GLASS DOOR (2,3,4 & 5 TRACK DOORS) SHOWN ON THIS PRODUCT EVALUATION DOCUMENT (P.E.D.) HAS BEEN VERIFIED FOR COMPLIANCE IN ACCORDANCE WITH THE 2023 (8th EDITION) OF THE FLORIDA BUILDING CODE. SERIES 26000 HIGH IMPACT SLIDING GLASS DOOR MAY BE INSTALLED AT HIGH VELOCITY HURRICANE ZONES (H.V.H.Z) AND OUT OF IT (N.H.V.H.Z).

DESIGN WIND LOADS SHALL BE DETERMINED AS PER SECTIONS 1620 AND 1609 OF THE ABOVE MENTIONED CODE, USING ASCE 7-22 AND SHALL NOT EXCEED THE MAXIMUM (A.S.D.) DESIGN PRESSURE RATINGS INDICATED ON NOTE 3 BELOW.

IN ORDER TO VERIFY THE ABOVE CONDITION, ULTIMATE DESIGN WIND LOADS DETERMINED PER ASCE 7-22 SHALL BE FIRST REDUCED TO A.S.D. DESIGN WIND LOADS BY MULTIPLYING THEM BY 0.6 IN ORDER TO COMPARE THESE W/ MAX. (A.S.D.) DESIGN PRESSURE RATINGS INDICATED ON NOTE 3 BELOW.

IN ORDER TO VERIFY THAT ANCHORS ON THIS P.E.D., AS TESTED, WERE NOT OVERSTRESSED, A 33% INCREASE IN ALLOWABLE STRESS FOR WIND LOADS WAS NOT USED IN THEIR ANALYSIS. A DURATION FACTOR CD=1.60 WAS USED TO VERIFY FASTENERS IN WOOD. FASTENERS SPACING TO WOOD HAS BEEN DETERMINED IN ACCORDANCE WITH N.D.S. 2018.
THESE DOOR'S ADEQUACY FOR IMPACT AND WIND RESISTANCE HAS BEEN VERIFIED IN ACCORDANCE WITH SECTIONS 1626 & 1609.1.2 OF THE ABOVE MENTIONED CODE AS PER PROTOCOLS TAS-201, TAS-202, TAS-203, PER FENESTRATION TESTING LABORATORY INC., LAB REPORTS # 11026 , 12031 & 12031.01 AND AS PER SUBMITTED STRUCTURAL CALCULATIONS, PERFORMED AS PER SECTIONS 1616 & 1604 OF THE FLORIDA BUILDING CODE. GLASS VERIFIED PER ASTM-1300, PER SECTION 2404.1 OF THE FLORIDA BUILDING CODE.
- REMAINING COMPONENTS FOR THIS SLIDING GLASS DOOR SYSTEM SHALL BE AS INDICATED ON BILL OF MATERIALS SHEETS 2,3,4,5 & 6 OF THIS DRAWING.
- MAXIMUM A.S.D. DESIGN PRESSURE RATINGS FOR THESE DOORS SHALL BE AS SHOWN ON SHEETS 8 & 9 (SMALL & LARGE MISSILE). SEE DOOR ELEVATION ON SHEET 7 FOR QUALIFIED CONFIGURATIONS & NOTES.**
- THIS SERIES 26000 HIGH IMPACT SLIDING GLASS DOOR WILL NOT REQUIRE A HURRICANE PROTECTION DEVICE.**
- THIS SERIES 26000 HIGH IMPACT SLIDING GLASS DOOR IS APPROVED FOR AIR AND WATER INFILTRATION, FOLLOWING LIMITATIONS INDICATED ON SHEET 8 BASED ON RISER SILL USED.**
- ALL ALUMINUM EXTRUSIONS IN CONTACT WITH DISSIMILAR MATERIALS SHALL COMPLY WITH SECTION III-6 OF THE 2020 ALUMINUM DESIGN MANUAL.
- ALL SCREWS USED FOR ASSEMBLY CONNECTIONS (METAL TO METAL) TO BE STAINLESS STEEL 304 OR 316 AISI SERIES OR CORROSION RESISTANT COATED CARBON STEEL AS PER DIN 50018 WITH 50 ksi YIELD STRENGTH AND 90 ksi TENSILE STRENGTH & SHALL COMPLY W/ FLORIDA BUILDING CODE SECTION 2411.3.3.4.
- WOOD BUCKS, BY OTHERS, MUST BE ANCHORED PROPERLY TO TRANSFER LOADS TO THE BUILDING STRUCTURE. WOOD BUCKS MUST BE SOUTHERN PINE, G=0.55. AND SHALL COMPLY WITH SECTIONS 2411.3.3.3 & 2411.3.3.4 OF THE FLORIDA BUILDING CODE SEE BELOW.
 - 2X WOOD BUCKS MUST BE PROPERLY ANCHORED TO EXISTING STRUCTURE TO TRANSFER LOADS TO IT. ANCHORAGE IS INDEPENDENT OF SLIDING DOOR FRAME ANCHORAGE. SLIDING DOOR FRAME MUST BE SEPARATELY ANCHORED TO 2X WOOD BUCK FOLLOWING DETAILS ON THIS DRAWING.
 - 1X WOOD BUCK (OR ANY WOOD BUCK LESS THAN 2X) MUST BE PROPERLY ANCHORED TO EXISTING STRUCTURE TO TRANSFER LOADS TO IT. SLIDING DOOR FRAME ANCHOR SHALL BE USED TO ATTACH 1X WOOD BUCK TO EXISTING STRUCTURE BY DRIVING ANCHOR THRU BOTH SLIDING DOOR FRAME & 1X WOOD BUCK INTO EXISTING STRUCTURE W/ PROPER EMBEDMENT AND EDGE DISTANCE AS SHOWN ON THIS DRAWING.
 - SLIDING DOOR FRAME MAY BE DIRECTLY CONNECTED TO EXISTING STRUCTURE WITH NO NEED OF WOOD BUCKS WHEN MASONRY OPENING IS NOT LARGER THAN ACTUAL DOOR OVERALL DIMENSIONS. HOWEVER, SHIMS (SEE NOTE 10) MAY BE ALLOWED AT SLIDING DOOR FRAME ANCHOR LOCATION IF NEEDED.
- ANCHOR NOTES:** EMBEDMENT AND EDGE DISTANCE ARE BEYOND ANY FINISH.
 - TO EXISTING POURED CONCRETE:** (Min. f_c = 3,000 ksi), MIN. EDGE DISTANCE = 2 1/2".
- 1/4"Ø ULTRACON W/ 1 3/4" MIN. EMBEDMENT, AS MANUFACTURED BY ELCO CONSTRUCTION PRODUCTS, INC. (COMPONENT 30), THRU 1" P.T. WOOD BUCK.
 - TO EXISTING A.S.T.M. C-90 CONCRETE BLOCK** MIN. EDGE DISTANCE = 2 1/2". (APPLICABLE TO JAMBS ONLY)
- 1/4"Ø ULTRACON W/ 1 1/4" MIN. EMBEDMENT, AS MANUFACTURED BY ELCO CONSTRUCTION PRODUCTS, INC. (COMPONENT 30), THRU 1" P.T. WOOD BUCK.
 - TO EXISTING 2x P.T. WOOD BUCK (MIN. G=0.55).** MIN. EDGE DISTANCE = 1".
- 1/4"Ø ULTRACON W/ 1 1/2" MIN. THREADED PENETRATION, AS MANUFACTURED BY ELCO CONSTRUCTION PRODUCTS, INC. (COMPONENT 30).
 - TO EXISTING 1/8" (6063-T5) ALUMINUM OR 1/8" GRADE 33 STEEL:** MIN. EDGE DISTANCE= 1/2"
- 1/4" AISI 401 TEK SCREWS W/MIN. 3 THREADS PASSED METAL THICKNESS EMBEDMENT, AS MANUFACTURED BY ITW / BUILDEX (COMPONENT 30A).
- PROVIDE 1/4" MAX. LOAD BEARING SHIM, WHEN ALLOWED BY THIS DRAWING.
- PRODUCT MANUFACTURER'S LABEL SHALL BE LOCATED ON A READILY VISIBLE LOCATION AT PRODUCT IN ACCORDANCE WITH SECTION 1709.5 OF THE FLORIDA BUILDING CODE. ONE LABEL SHALL BE PLACED FOR EVERY OPENING.
- (a) THIS P.E.D. PREPARED BY THIS ENGINEER IS GENERIC AND DOES NOT PROVIDE INFORMATION FOR A SITE SPECIFIC PROJECT; i.e. WHERE THE SITE CONDITIONS DEVIATE FROM THE P.E.D.

(b) CONTRACTOR TO BE RESPONSIBLE FOR THE SELECTION, PURCHASE AND INSTALLATION INCLUDING LIFE SAFETY OF THIS PRODUCT, BASED ON THIS P.E.D., PROVIDED HE/SHE DOES NOT DEVIATE FROM THE CONDITIONS DETAILED ON THIS DOCUMENT. CONSTRUCTION SAFETY AT SITE IS THE CONTRACTOR'S RESPONSIBILITY.

(c) THIS P.E.D. WILL BE CONSIDERED INVALID IF ALTERED BY ANY MEANS.

(b) SITE SPECIFIC PROJECTS SHALL BE PREPARED BY A FLORIDA REGISTERED ENGINEER OR ARCHITECT WHICH WILL BECOME THE PROFESSIONAL OF RECORD (P.O.R.) FOR THE PROJECT AND WHO WILL BE RESPONSIBLE FOR THE PROPER USE OF THE PED.

(c) ORIGINAL P.E.D. SHALL BEAR THE DATE AND ORIGINAL SEAL AND SIGNATURE OF THE PROFESSIONAL ENGINEER OF RECORD THAT PREPARED IT.

S.G.D SELECTION PROCEDURE :

STEP 1: DETERMINE A.S.D. DESIGN WIND LOAD REQUIREMENTS BASED ON WIND VELOCITY, BUILDING HEIGHT, WIND ZONE, USING APPLICABLE ASCE 7 STANDARD.

STEP 2: GO TO SCHEDULES BASED ON MAXIMUM DOOR FRAME HEIGHT ON SHEETS 8 & 9 TO DETERMINE MAXIMUM A.S.D. DESIGN PRESSURE RATING (psf) OF DESIRED GLASS & DOOR HEIGHT & PANEL WIDTH.

STEP 3: DETERMINE MAXIMUM DOOR FRAME HEIGHT (in) FOR A GIVEN DESIGN PRESSURE, ON SCHEDULE ON SHEET 8, 9, 24 & 25. SELECT ANCHOR AT JAMBS & HEAD/SILL W/ A.S.D. DESIGN PRESSURE RATING EQUAL OR GREATER THAN DESIGN LOAD SPECIFIED IN STEP 1 USING ELEVATIONS AND SECTIONS ON SHEETS 7 & 10 THRU 22 FOR LARGE & SMALL MISSILE DOORS.

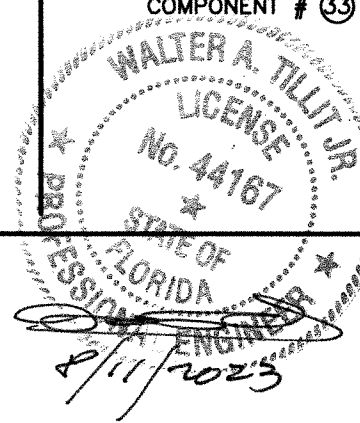
WEEP HOLES		
DESCRIPTION	DISTANCE	MAX. A.S.D. PRESSURE RATING/ MISSILE TYPE
0.60" BY 1/4" WIDE WEEP HOLES	13" FROM LEFT JAMB, AND 5" FROM RIGHT USE (4) EACH END PANEL + (4) AT OPERABLE PANEL AT BALANCE AT MAX 8" O.C AT EA. TRACK.	GREATER THAN +100 psf. UP TO 140 psf FOR SMALL MISSILE INSTALLATIONS.
1/8" X 1" WIDE WEEP HOLES	6 3/4" FROM CORNERS THEN @ 47" O.C. (MAX.) EA. TRACK.	EQUAL OR LESS THAN +100 psf, FOR LARGE MISSILE INSTALLATIONS.

PADS AND GASKETS		
PADS AND GASKET TYPE	NUMBER AND SIZE	LOCATION
SELF ADHESIVE PILE PADS	3" LONG BY 1" WIDE	FRAME HEAD AND FRAME SILL AT INTERIOR STILE AND ASTRAGAL STILE

FIXED PANEL INSTALLATION TO FRAME JAMB

1. ANY FIXED END PANEL ("0") SHALL BE FASTENED TO THE FRAME JAMB THRU THE SILL REAR FLANGE USING COMPONENT # 33 LOCATED 8" FROM TOP AND BOTTOM.

THIS DRAWING SHALL BE USED ONLY TO OBTAIN PERMITS IN THE STATE OF FLORIDA



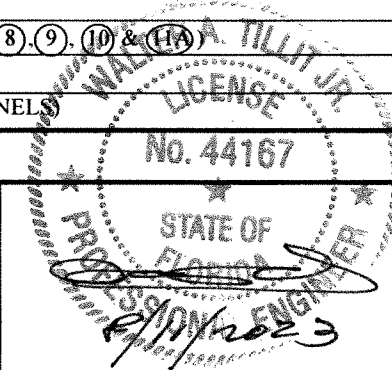
P.E. SEAL/SIGNATURE/DATE

FLORIDA BUILDING CODE (High & Non High Velocity Hurricane Zone)

© 2023 TILTECO INC. TILTECO INC. TILLIT TESTING & ENGINEERING COMPANY 6355 N.W. 36th St., Ste. 305, VIRGINIA GARDENS, FL 33166 Phone : (305)871-1530 . Fax : (305)871-1531 e-mail: tilteco@aol.com CA-0006719 WALTER A. TILLIT Jr., P.E. FLORIDA Lic. 44167		SERIES 26000 HIGH IMPACT SLIDING GLASS DOOR / LARGE AND SMALL MISSILE 290 WEST 78 ROAD HIALEAH, FL. 33014 PH: (954)226-5555/(305)558-8103 FAX: (305)558-6665 www.gigwindows.com	W.H. DRAWN BY: 08/11/2023 DATE 23-173 DRAWING No		
REV. NO 1	DESCRIPTION OLD 21-114	DATE 08/11/23	REV. No 2	DESCRIPTION -	DATE -


BILL OF MATERIALS: FOR LARGE & SMALL MISSILE DOOR

COMPONENT #	DESCRIPTION	DIMENSIONS/REMARKS	MATERIAL
1A	FRAME HEAD & SILL 2 TRACKS	SEE SHEET 4	6005-T5
1B	FRAME JAMB 2 TRACKS	SEE SHEET 4	6005-T5
1C	FRAME HEAD & SILL 2 TRACKS ALT.	SEE SHEET 4, VALID ONLY FOR ±60 psf ASD PRESSURE RATING INSTALLATIONS.	6005-T5
2A	FRAME HEAD & SILL 3 TRACKS	SEE SHEET 4	6005-T5
2B	FRAME JAMB 3 TRACKS	SEE SHEET 4	6005-T5
2C	FRAME HEAD & SILL 3 TRACKS ALT.	SEE SHEET 4, VALID ONLY FOR ±60 psf ASD PRESSURE RATING INSTALLATIONS.	6005-T5
3A	FRAME HEAD & SILL 4 TRACKS	SEE SHEET 4	6005-T5
3B	FRAME JAMB 4 TRACKS	SEE SHEET 4	6005-T5
3C	FRAME HEAD & SILL 4 TRACKS ALT.	SEE SHEET 4, VALID ONLY FOR ±60 psf ASD PRESSURE RATING INSTALLATIONS.	6005-T5
4A	FRAME HEAD & SILL 5 TRACKS ADAPT	SEE SHEET 4	6005-T5
4B	FRAME JAMB 5 TRACKS ADAPT	SEE SHEET 4	6005-T5
4C	FRAME HEAD & SILL 5 TRACKS ADAPT ALT.	SEE SHEET 4, VALID ONLY FOR ±60 psf ASD PRESSURE RATING INSTALLATIONS.	6005-T5
5A	TOP & BOTTOM RAIL 4 INCH	SEE SHEET 4 (FOR 39A & 39B)	6005-T5
5B	TOP & BOTTOM RAIL 4 INCH	SEE SHEET 4 (FOR 39C)	6005-T5
6A	BOTTOM RAIL 6 INCH	SEE SHEET 4 (FOR 39A & 39B)	6005-T5
6B	BOTTOM RAIL 6 INCH	SEE SHEET 4 (FOR 39C)	6005-T5
7	LOCK STILE	SEE SHEET 4	6005-T5
7A	ALTERNATE LOCK STILE	SEE SHEET 4	6005-T5
8	MEETING STILE INNER LOCK	SEE SHEET 4	6005-T5
9	MEETING STILE OUTER LOCK	SEE SHEET 4	6005-T5
10	ASTRAGAL	SEE SHEET 4	6005-T5
10A	ASTRAGAL ADAPT	SEE SHEET 5	6005-T5
11A	GLAZING BEAD 7/16"	SEE SHEET 5	6005-T5
11B	GLAZING BEAD 9/16"	SEE SHEET 5	6005-T5
11C	GLAZING BEAD 1"	SEE SHEET 5	6005-T5
12	ROLLER PIN	SEE SHEET 5	6005-T5
13	HEAD INSERT	SEE SHEET 5	6005-T5
14A	SILL RISER 3"	SEE SHEET 5	6005-T5
14B	SILL RISER 4"	SEE SHEET 5	6005-T5
14C	SILL RISER 5-1/2"	SEE SHEET 5	6005-T5
15	SCREW COVER	SEE SHEET 5	6005-T5
16	SCREW COVER JAMB	SEE SHEET 5	6005-T5
17	HOOK STRIP	SEE SHEET 5	6005-T5
18	JAMB REINFORCEMENT 2 TRACKS	SEE SHEET 5	6005-T5
19	JAMB REINFORCEMENT 3 TRACKS	SEE SHEET 5	6005-T5
20	1/4"x1-7/8" ALUMINUM REINFORCEMENT LS	SEE SHEET 5 (FOR 7)	6005-T5
21	1/4"x2-1/8" ALUMINUM REINFORCEMENT IL	SEE SHEET 5 (FOR 8 & 9)	6005-T5
22	1/4"x2-1/4" ALUMINUM REINFORCEMENT AA	SEE SHEET 5 (FOR 10A)	6005-T5
23	GLAZING GASKET	SEE SHEET 5	T.P.E.
24	GLAZING PRO-LON	SEE SHEET 5	FOAM
25	CORNER 90° ACTIVE	SEE SHEET 5	6005-T5
26	CORNER 90° IN-ACTIVE	SEE SHEET 5	6005-T5
27	PANEL SEAL	SEE SHEETS 4 & 5 (FOR PARTS 7, 8, 9, 10 & 11A)	NYLON
28	SETTING BLOCK	0.122"x0.5" (ULTRAFAB)	E.P.D.M.
29	#14 x 2 1/2" H.H SCREW	ASSEMBLY SCREW (FRAME & PANELS)	STEEL


 P.E. SEAL/SIGNATURE/DATE

© 2023 TILTECO INC.
TILTECO INC.
 TILLIT TESTING & ENGINEERING COMPANY
 6355 N.W. 36th St., Ste. 305, VIRGINIA GARDENS, FL 33166
 Phone : (305)871-1530 . Fax : (305)871-1531
 e-mail: tilliteco@aol.com
 CA-0006719
 WALTER A. TILLIT Jr., P.E.
 FLORIDA Lic. 44167

FLORIDA BUILDING CODE (High & Non High Velocity Hurricane Zone)

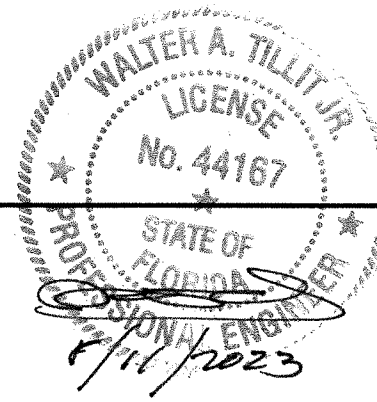
**SERIES 26000 HIGH IMPACT SLIDING
 GLASS DOOR / LARGE AND SMALL MISSILE**

 290 WEST 78 ROAD
 HIALEAH, FL 33014
 PH: (954)226-5555/(305)558-8103
 FAX: (305)558-6665
 www.gigwindows.com

W.H
 DRAWN BY:
 08/11/2023
 DATE
 23-173
 DRAWING No
 SHEET 2 OF 26

REV. NO	DESCRIPTION	DATE	REV. No	DESCRIPTION	DATE
1	OLD 21-114	08/11/23	2	-	-

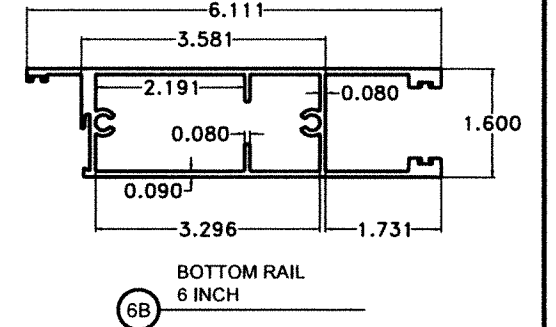
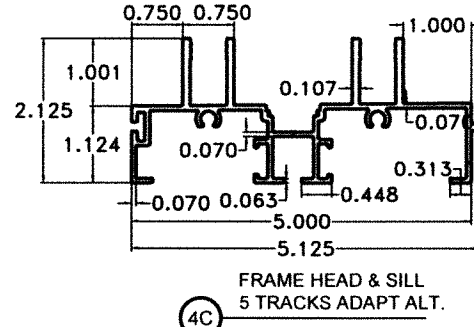
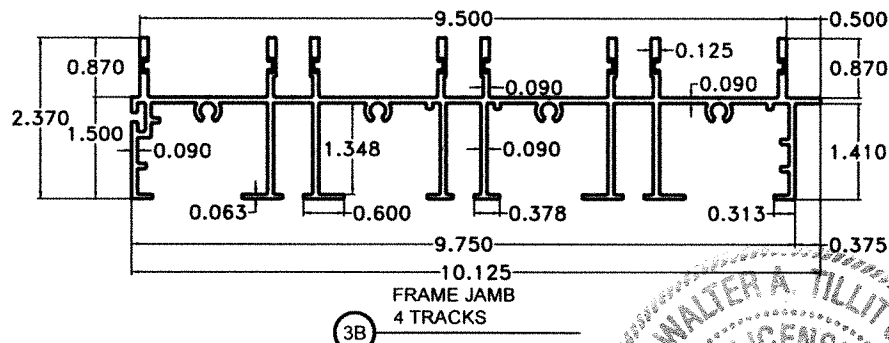
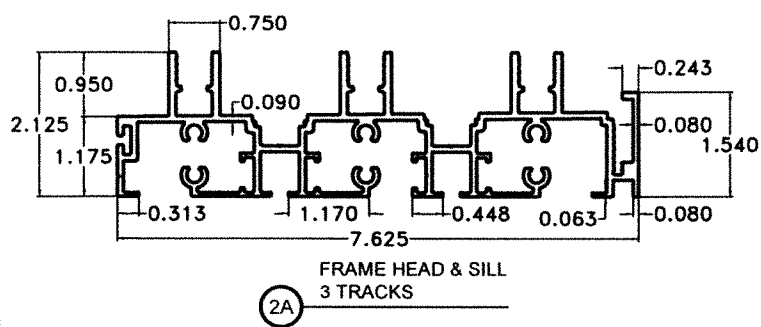
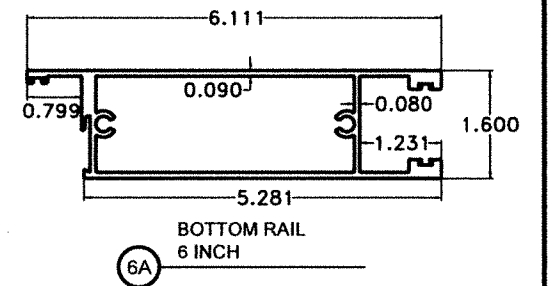
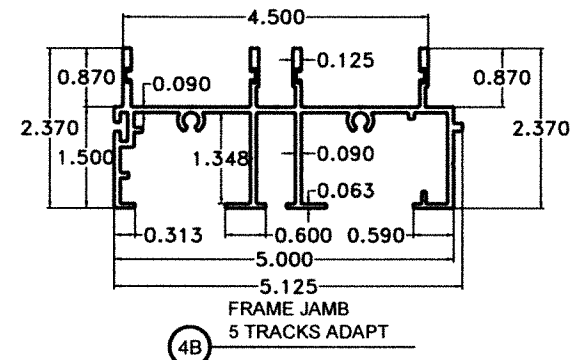
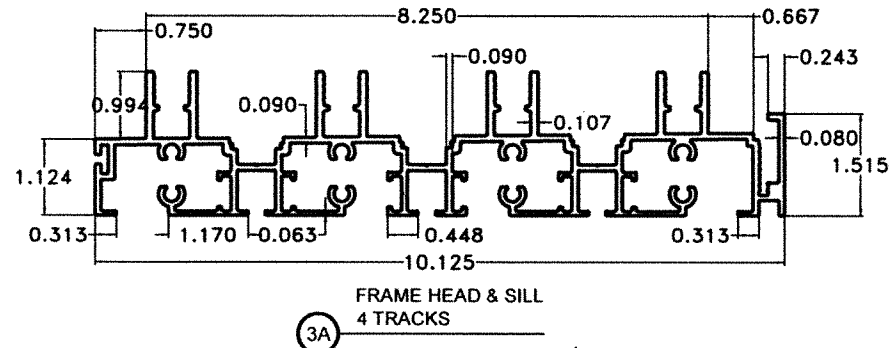
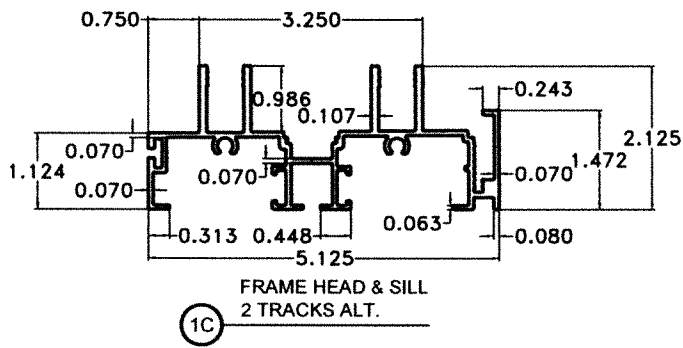
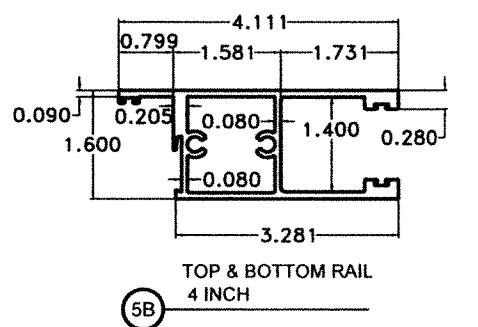
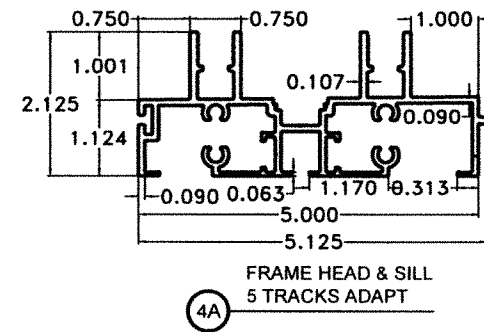
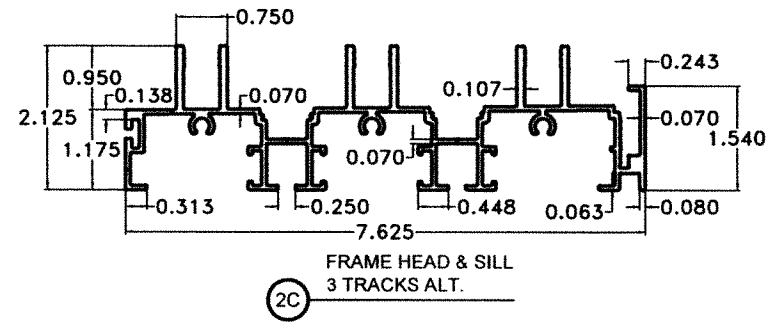
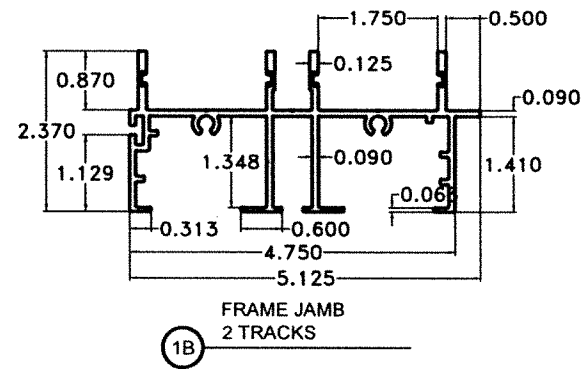
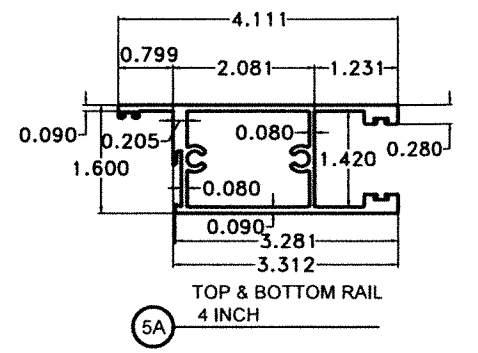
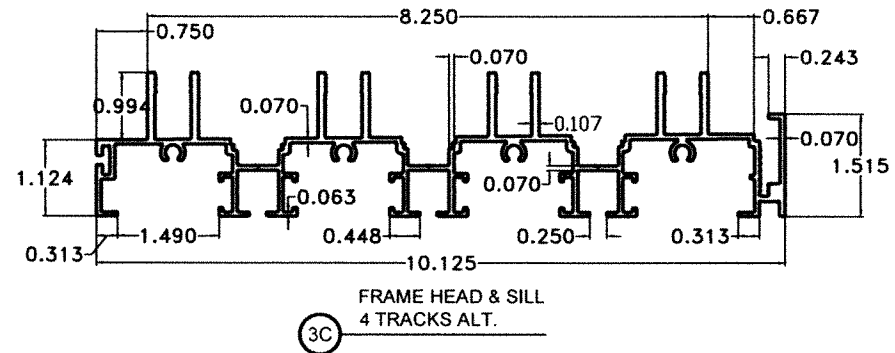
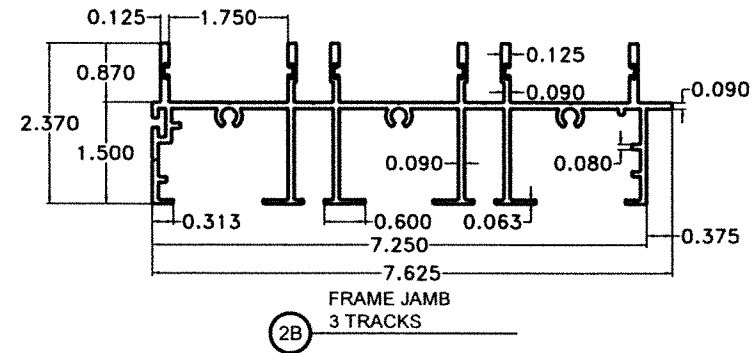
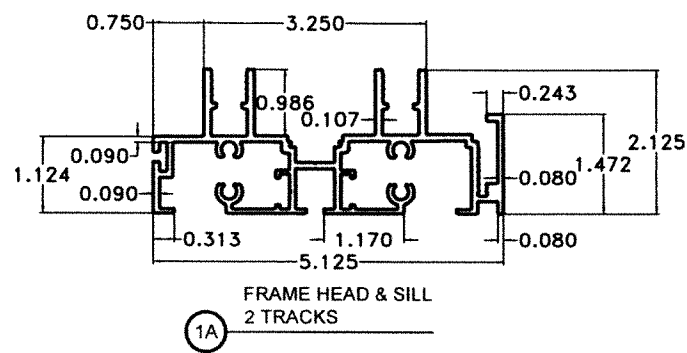
BILL OF MATERIALS CONTINUATION: FOR LARGE & SMALL MISSILE DOOR

COMPONENT #	DESCRIPTION	DIMENSIONS/REMARKS	MATERIAL
30	1/4" Ø ULTRACON ANCHOR	BY ELCO CONSTRUCTION PRODUCTS	COATED STEEL
30A	1/4" Ø-14 TEK SCREWS	BY I.T.W. BUILDEX	AISI 401 S.S.
33	#10 x 1/2" FH S.S SELF DRILL SCREW	FIXED PANEL, ASTRAGAL ADAPTER & INACTIVE CORNER 90°	S.S.
34	#10 x 1/2" S.S MACHINE SCREW W/ NUT	5 TRACKS ASSEMBLY (PARTS (2A) WITH (4A) & (2B) WITH (4B)) 3" FROM EDGE & 1' O.C MAX	S.S.
35	STRUCTURAL SILICONE DOWSIL 983	ALL AROUND GLASS	SILICONE
35A	NON STRUCTURAL SILICONE	CCS (CONTRACTORS CONCRETE SEALANT) ALL AROUND FRAME AS SHOWN ON SECTIONS	SILICONE
35B	STRUCTURAL SILICONE-SIKASIL SG-500 CN	ALL AROUND GLASS	SILICONE
36	T-SLOT ULTRA FIN	W23211NK000B (0.210Hx0.187W) ULTRAFAB	PLASTIC
37	T-SLOT ULTRA FIN	W23351NK000B (0.350Hx0.187W) ULTRAFAB	PLASTIC
38	T-SLOT EXTRUDED SEAL	E23318KN2020 (0.450Hx0.187W) ULTRAFAB	VINYL
39A	SR-2003	TEANDEM ROLLER ASSY S/S HOUSING WITH 1-1/4" S/S WHEELS BY DELTA INDUSTRIAL SYSTEMS (LOCATED AT 5" MIN FROM PANEL END)	S.S.
39B	PR03-6000	SS7000 TANDEM ROLLER S/S TUNED WITH 1-1/4" S/S WHEELS ANTHONY INNOVATIONS (INTERLOCK USA) (LOCATED AT 7" MIN FROM PANEL END)	S.S.
39C	PJS-TA-188-OF-PRN	TANDEM ROLLER S/S TUNED WITH 1-5/8" ACETAL (DERLIN) WHEELS (LOCATED AT 7" MIN FROM PANEL END)	S.S.
40	FASTENER	(2)#10x1" LONG ROLLER ASSEMBLY FASTENING	S.S.
41	PS01-1020	SMLM 2PT MORTICE LOCK STAINLESS HOOKS	S.S.
42	PS01-1015	15mm ADJUSTABLE SBML STRIKE + MOUNTING SCREW (2) #10x1 1/4" P.H. S.D.S.	S.S.
43	2307	IMPACT DOOR STOPPER	
44	INSULATED GLASS UNIT SPACER	SEE SHEET 5	3105-H24 ALUMINUM
45	T-SLOT ULTRA FIN	D7593AMK (0.750Hx0.750W) ULTRAFAB (FOR INACTIVE PANEL 90°)	PLASTIC
46	T-SLOT ULTRA FIN	D3893AMK (0.750Hx0.375W) ULTRAFAB (FOR WATER INTRUSION ADHESIVE AT SILL TRACK AT EACH INTERLOCK 3" LONG)	PLASTIC
47	#10-24 x 5/16" PH PHILLIPS MACHINE SCREW	CORNER 90° ACTIVE PANEL (3" FROM EDGE & 8" O.C. MAX)	S.S.



FLORIDA BUILDING CODE (High & Non High Velocity Hurricane Zone)

 TILTECO INC. TILLIT TESTING & ENGINEERING COMPANY 6355 N.W. 38th St., Ste. 305, VIRCHIA GARDENS, FL 33166 Phone: (305)871-1530 Fax: (305)871-1531 e-mail: tilteco@aol.com CA-0006719 WALTER A. TILLIT Jr., P.E. FLORIDA Lic. 44167		© 2023 TILTECO INC.		SERIES 26000 HIGH IMPACT SLIDING GLASS DOOR / LARGE AND SMALL MISSILE		W.H DRAWN BY:
		 WINDOWS & DOORS 290 WEST 78 ROAD HIALEAH, FL. 33014 PH: (954)226-5555/(305)558-8103 FAX: (305)558-6665 www.gigwindows.com		08/11/2023 DATE	23-173 DRAWING No	
REV. NO	DESCRIPTION	DATE	REV. No	DESCRIPTION	DATE	SHEET 3 OF 26
1	OLD 21-114	08/11/23	2	-	-	



COMPONENTS LARGE & SMALL MISSILE DOORS
SCALE: 3/8"=1"

WALTER A. TILLIT JR.
LICENSE
No. 44167
STATE OF FLORIDA
PROFESSIONAL ENGINEER
8/11/2023
P.E. SEAL/SIGNATURE/DATE

© 2023 TILTECO INC.
TILTECO INC.
TILLIT TESTING & ENGINEERING COMPANY
6355 N.W. 38th St., Ste. 305, VIRGINIA GARDENS, FL 33166
Phone : (305)871-1530 Fax : (305)871-1531
e-mail: tilteco@aol.com
CA-0006719
WALTER A. TILLIT Jr., P.E.
FLORIDA Lic. 44167

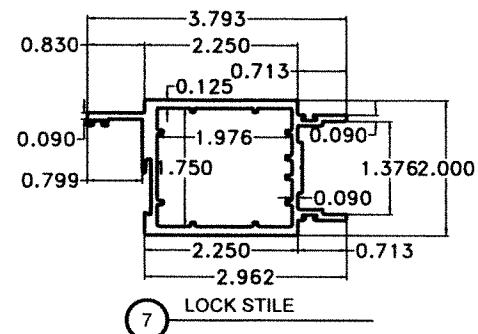
FLORIDA BUILDING CODE (High & Non High Velocity Hurricane Zone)

**SERIES 26000 HIGH IMPACT SLIDING
GLASS DOOR / LARGE AND SMALL MISSILE**

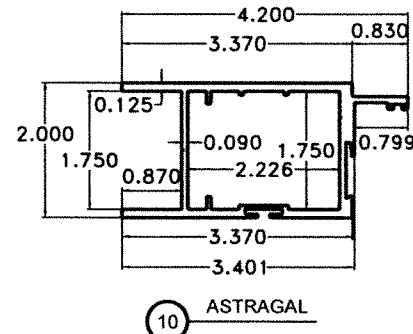
290 WEST 78 ROAD
HIALEAH, FL 33014
PH: (954)226-5555/(305)558-8103
FAX: (305)558-6665
www.glgwindows.com

W.H. DRAWN BY:
08/11/2023
DATE
23-173
DRAWING No
SHEET 4 OF 26

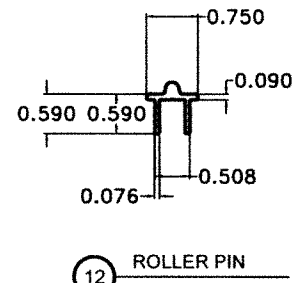
REV. NO	DESCRIPTION	DATE	REV. No	DESCRIPTION	DATE
1	OLD 21-114	08/11/23	2	-	-



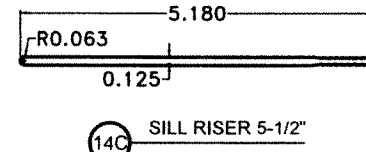
7 LOCK STILE



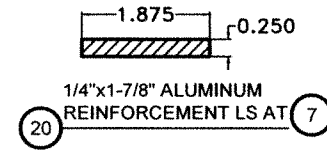
10 ASTRAGAL



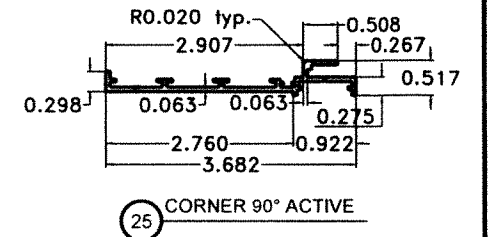
12 ROLLER PIN



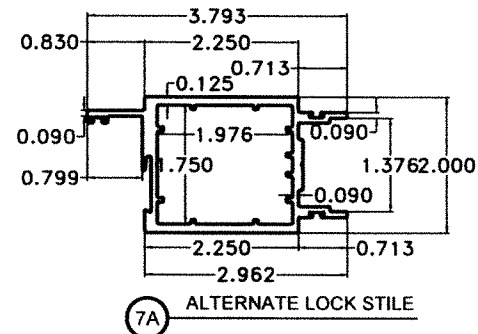
14C SILL RISER 5-1/2"



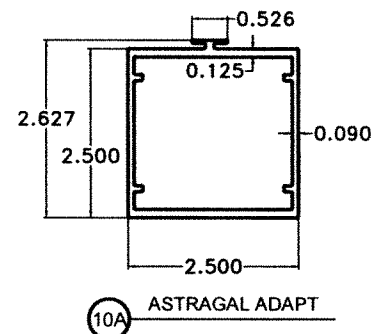
20 1/4"x1-7/8" ALUMINUM REINFORCEMENT LS AT (7)



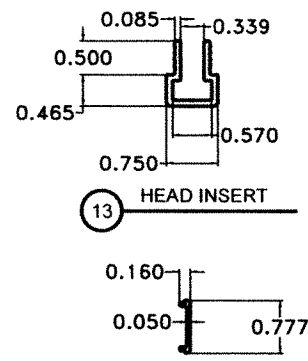
25 CORNER 90° ACTIVE



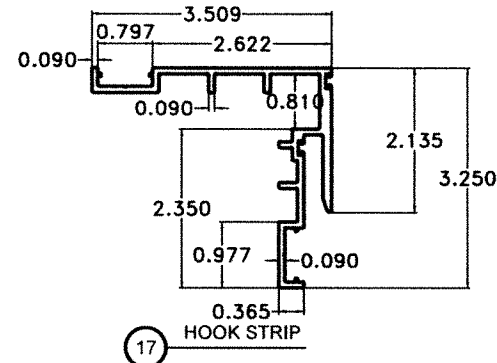
7A ALTERNATE LOCK STILE



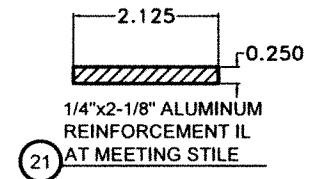
10A ASTRAGAL ADAPT



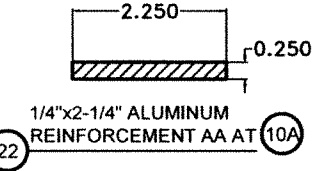
13 HEAD INSERT



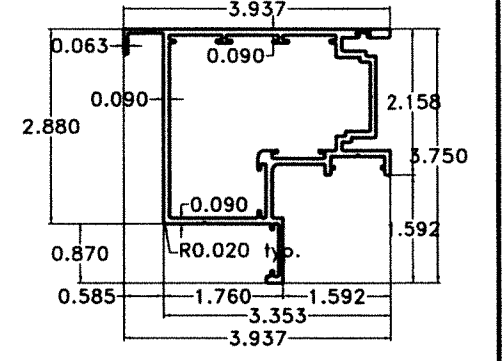
17 HOOK STRIP



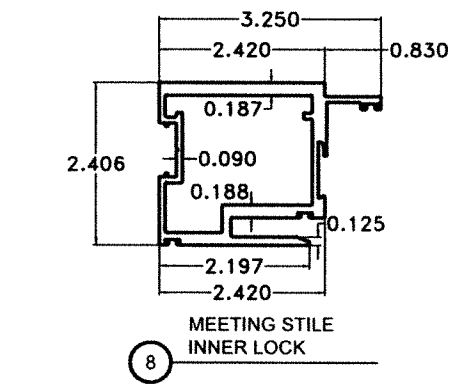
21 1/4"x2-1/8" ALUMINUM REINFORCEMENT IL AT MEETING STILE



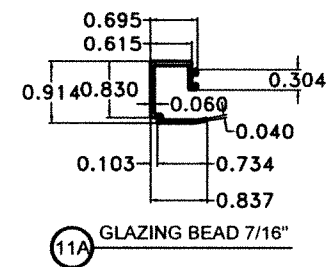
22 1/4"x2-1/4" ALUMINUM REINFORCEMENT AA AT (10A)



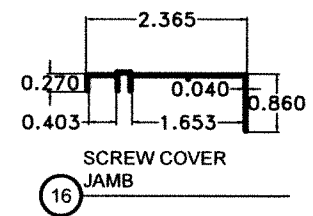
26 CORNER 90° IN-ACTIVE



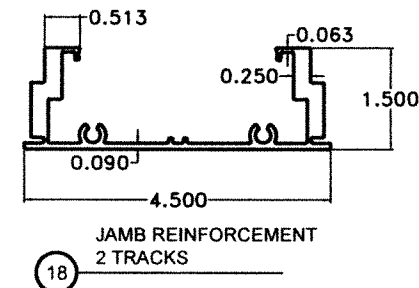
8 MEETING STILE INNER LOCK



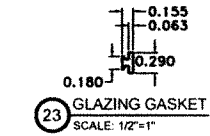
11A GLAZING BEAD 7/16"



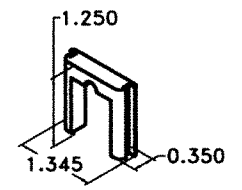
16 SCREW COVER JAMB



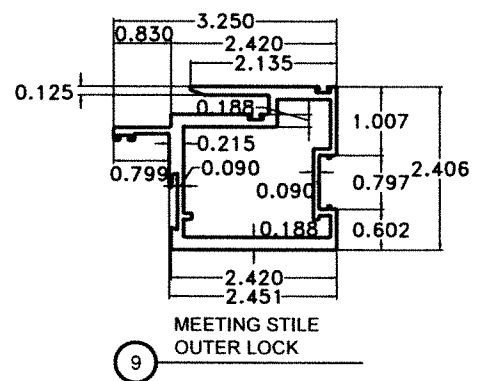
18 JAMB REINFORCEMENT 2 TRACKS



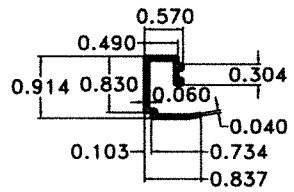
23 GLAZING GASKET SCALE: 1/2"=1"



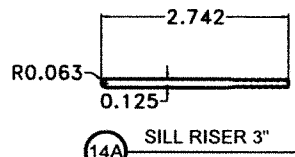
27 PANEL SEAL



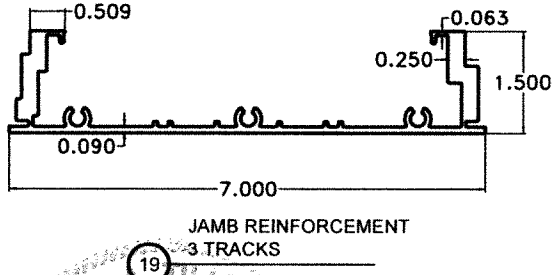
9 MEETING STILE OUTER LOCK



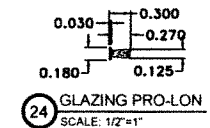
11B GLAZING BEAD 9/16"



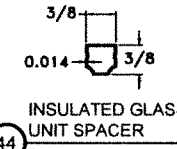
14A SILL RISER 3"



19 JAMB REINFORCEMENT 3 TRACKS



24 GLAZING PRO-LON SCALE: 1/2"=1"



44 INSULATED GLASS UNIT SPACER SCALE: 1/2"=1"

COMPONENTS

CONT'D: LARGE & SMALL MISSILE DOORS
SCALE: 3/8"=1"

WALTER A. TILLIT JR.
LICENSE
No. 44167
STATE OF FLORIDA
P.E. SEAL/SIGNATURE/DATE
8/11/2023

© 2023 TILTECO INC.
TILTECO INC.
TILLIT TESTING & ENGINEERING COMPANY
6355 N.W. 36th St., Ste. 305, VIRGINIA GARDENS, FL 33166
Phone: (305)871-1530 Fax: (305)871-1531
e-mail: tiltcco@aol.com
CA-0006719
WALTER A. TILLIT JR., P.E.
FLORIDA Lic. 44167

FLORIDA BUILDING CODE (High & Non High Velocity Hurricane Zone)

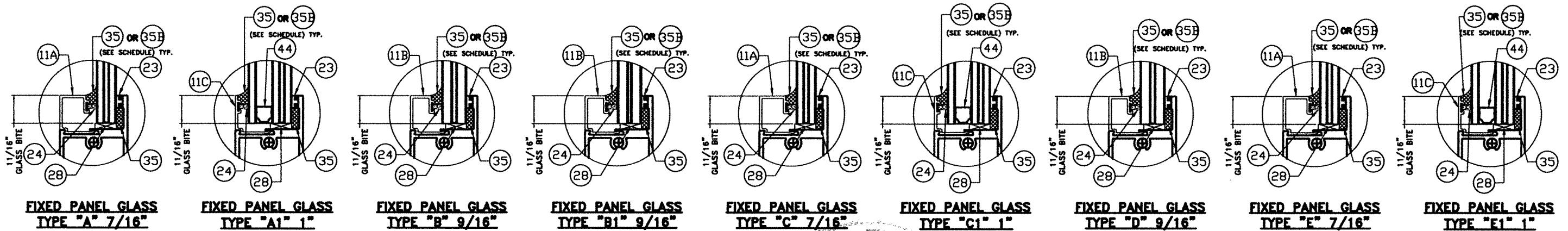
SERIES 26000 HIGH IMPACT SLIDING GLASS DOOR / LARGE AND SMALL MISSILE
290 WEST 78 ROAD
HIALEAH, FL 33014
PH: (954)226-5555/(305)558-8103
FAX: (305)558-6665
www.glgwindows.com

REV. NO	DESCRIPTION	DATE	REV. No	DESCRIPTION	DATE
1	OLD 21-114	06/11/23	2	-	-

W.H. DRAWN BY:
08/11/2023 DATE
23-173 DRAWING No
SHEET 5 OF 26

BILL OF MATERIALS (CONT'D): REQUIRED GLASS FOR QUALIFIED LARGE & SMALL MISSILE DOORS

COMPONENT #	DESCRIPTION	ALLOWED MISSILE TYPE
A	7/16" NOMINAL LAMINATED GLASS W/ 3/16" H.S. GLASS +0.090" TROSIFOL PVB INTERLAYER BY KURARAY AMERICA, INC. + 3/16" H.S. GLASS.	LARGE & SMALL MISSILE
A1	1" NOMINAL INSULATED-LAMINATED GLASS W/ 3/16" TEMPERED GLASS OUT BOARD - 3/8" ARGON SPACER + 3/16" H.S. GLASS +0.090" TROSIFOL PVB INTERLAYER BY KURARAY AMERICA, INC. + 3/16" H.S. GLASS.	LARGE & SMALL MISSILE
B	9/16" NOMINAL LAMINATED GLASS W/ 1/4" H.S. GLASS +0.090" TROSIFOL PVB INTERLAYER BY KURARAY AMERICA, INC. + 1/4" H.S. GLASS.	LARGE & SMALL MISSILE
B1	9/16" NOMINAL LAMINATED GLASS W/ 1/4" TEMPERED GLASS +0.060" TROSIFOL PVB INTERLAYER BY KURARAY AMERICA, INC. + 1/4" TEMPERED GLASS.	SMALL MISSILE
C	7/16" NOMINAL LAMINATED GLASS W/ 3/16" H.S. GLASS +0.090" SENTRYGLAS® INTERLAYER BY KURARAY AMERICA, INC. + 3/16" H.S. GLASS.	LARGE & SMALL MISSILE
C1	1" NOMINAL INSULATED-LAMINATED GLASS W/ 3/16" TEMPERED GLASS OUT BOARD - 3/8" ARGON SPACER + 3/16" H.S. GLASS +0.090" SENTRYGLAS® INTERLAYER BY KURARAY AMERICA, INC. + 3/16" H.S. GLASS.	LARGE & SMALL MISSILE
D	9/16" NOMINAL LAMINATED GLASS W/ 1/4" H.S. GLASS +0.090" SENTRYGLAS® INTERLAYER BY KURARAY AMERICA, INC. + 1/4" H.S. GLASS.	LARGE & SMALL MISSILE
E	7/16" NOMINAL LAMINATED GLASS W/ 3/16" ANNEALED GLASS +0.090" TROSIFOL PVB INTERLAYER BY KURARAY AMERICA, INC. + 3/16" ANN. GLASS.	LARGE & SMALL MISSILE
E1	1" NOMINAL INSULATED-LAMINATED GLASS W/ 3/16" TEMPERED GLASS OUT BOARD - 3/8" ARGON SPACER + 3/16" ANN. GLASS +0.090" TROSIFOL PVB INTERLAYER BY KURARAY AMERICA, INC. + 3/16" ANN. GLASS.	LARGE & SMALL MISSILE



STRUCTURAL SILICONE SCHEDULE

COMPONENT #	MAX. NEGATIVE ASD PRESSURE RATING	MISSILE TYPE
35	177 psf	LM & SM
35B	60 psf	LM & SM

GLASS CONFIGURATION

WALTER A. TILLIT JR., P.E.
 No. 44167
 8/11/2023
 P.E. SEAL/SIGNATURE/DATE

© 2023 TILTECO INC.
TILTECO INC.
 TILLIT TESTING & ENGINEERING COMPANY
 6355 N.W. 36th. St. Ste. 305, VIRGINIA GARDENS, FL 33166
 Phone : (305)871-1530 . Fax : (305)871-1531
 e-mail: tilteco@aol.com
 CA-0006719
 WALTER A. TILLIT Jr., P.E.
 FLORIDA Lic. 44167

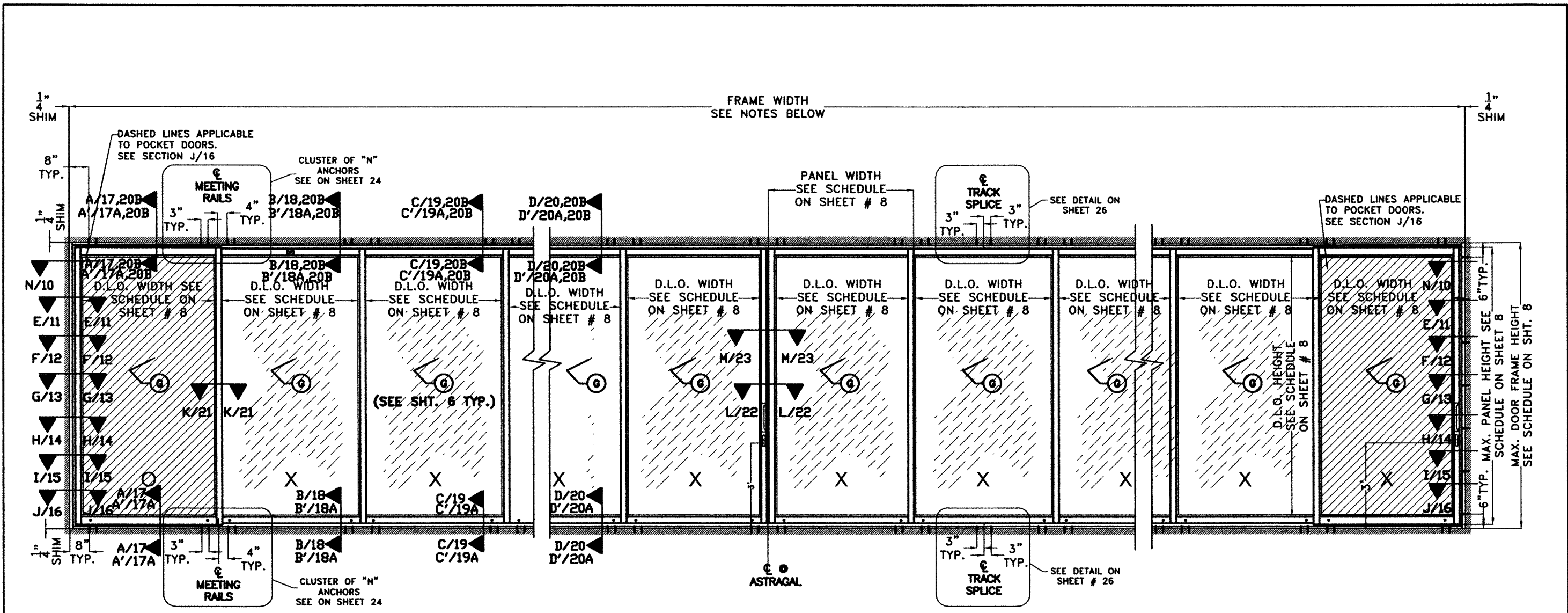
FLORIDA BUILDING CODE (High & Non High Velocity Hurricane Zone)

SERIES 28000 HIGH IMPACT SLIDING GLASS DOOR / LARGE AND SMALL MISSILE

 290 WEST 78 ROAD
 HIALEAH, FL. 33014
 PH: (954)226-5555/(305)558-8103
 FAX: (305)558-6665
 www.gigwindows.com

REV. NO	DESCRIPTION	DATE	REV. No	DESCRIPTION	DATE
1	OLD 21-114	08/11/23	2	-	-

W.H. DRAWN BY:
 08/11/2023 DATE
 23-173 DRAWING No
 SHEET 6 OF 26



TYPICAL EXTERIOR ELEVATION 2 THRU 5 TRACK DOOR: LARGE & SMALL MISSILE DOOR
N.T.S.

NOTES:

LARGE & SMALL MISSILE DOORS

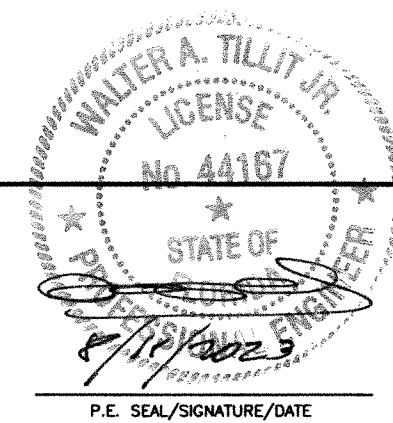
1-TYPICAL EXTERIOR ELEVATION SHOWS A 2 THRU 5 TRACK DOOR WITH VARIABLE PANEL CONDITION AS PER SCHEDULE ON SHEET 8. SECTION N/10 SHOWS A FULL VIEW OF A DOOR WITH 5 TRACKS AS A GENERIC VIEW. DOORS W/ 2 , 3 & 4 TRACKS WILL LOOK SIMILAR AS PER SECTIONS A-A THRU N-N. SEE SECTIONS A-A',B',C',C',D',E,F,G,H,I,J FOR 2 , 3 , 4 AND 5 TRACK DOOR CONFIGURATIONS.

2- IF NEEDED, AND BASED ON 50'-4" TOTAL TESTED UNREINFORCED DOOR FRAME WIDTH, AN ALLOWABLE NEW TOTAL FRAME WIDTH OF 1.5x 50'-4" = 75'-5" WILL BE ALLOWED TO BE INSTALLED FOR UP TO 120" FRAME HEIGHT DOORS AND A MAXIMUM PANEL WIDTH OF 60". ALTERNATIVELY, AND BASED ON 41'-11 1/2" TOTAL TESTED REINFORCED DOOR FRAME WIDTH, AN ALLOWABLE NEW TOTAL FRAME WIDTH OF 1.5x 41'-11 1/2" = 62'-11" WILL BE ALLOWED FOR UP TO 144" FRAME HEIGHT AND A MAXIMUM PANEL WIDTH OF 50". SEE MAX. A.S.D. LOADS FOR UNREINFORCED & REINFORCED DOORS ON SCHEDULE ON SHEET 9.

3- TYPICAL EXTERIOR ELEVATION SHOWS A CONFIGURATION W/ ATTACHED JAMBS AT RIGHT SIDE AND FREE STANDING JAMB MULLION (REINFORCED) AT LEFT SIDE. ANY INSTALLATION MAY USE BOTH JAMBS EITHER ATTACHED, FREE STANDING OR A COMBINATION OF ATTACHED ON ONE JAMB & FREE STANDING ON THE OTHER ONE, AS LONG AS MAX. PANEL WIDTH IS 60" FOR 120" FRAME HEIGHT UNREINFORCED DOORS AND 50" FOR 144" FRAME HEIGHT REINFORCED DOORS.

4- TYPICAL EXTERIOR ELEVATION SHOWS AN OXOXOXOXOX CONFIGURATION. OTHER ALLOWED CONFIGURATIONS ARE ACCEPTABLE AS LONG AS TYPICAL MEETING RAILS AND ASTRAGAL CONFORM TO SECTIONS K/21 , L/22 & M/23.

5- END PANELS MAY INCLUDE (IF NEEDED) INSTALLATION OF POCKET DOOR. SEE SECTION J ON SHEET 16 FOR DETAILS. DOORS INCLUDING POCKET WILL BE LIMITED TO A TOTAL FRAME WIDTH AS LIMITED BY NOTE 2 ABOVE.



© 2023 TILTECO INC.
TILTECO INC.
 TILLIT TESTING & ENGINEERING COMPANY
 6355 N.W. 36th St., Ste. 305, VIRGINIA GARDENS, FL 33166
 Phone : (305)871-1530 . Fax : (305)871-1531
 e-mail: tilteco@aol.com
 CA-0006719
 WALTER A. TILLIT JR., P.E.
 FLORIDA Lic. 44167

FLORIDA BUILDING CODE (High & Non High Velocity Hurricane Zone)

**SERIES 26000 HIGH IMPACT SLIDING
GLASS DOOR / LARGE AND SMALL MISSILE**

290 WEST 78 ROAD
 HIALEAH, FL 33014
 PH: (954)226-5555/(305)558-8103
 FAX: (305)558-6665
 www.gigwindows.com

REV. NO	DESCRIPTION	DATE	REV. No	DESCRIPTION	DATE
1	OLD 21-114	08/11/23	2	-	-

W.H DRAWN BY:	08/11/2023 DATE
23-173 DRAWING No	
SHEET 7 OF 26	

MAXIMUM A.S.D. DESIGN PRESSURE RATING SCHEDULE FOR A MAXIMUM FRAME HEIGHT, FRAME WIDTH, D.L.O. HEIGHT & D.L.O. WIDTH VALID FOR 2, 3, 4 & 5 TRACK Δ DOORS, LARGE & SMALL MISSILE

MAX. A.S.D. DESIGN PRESSURE RATING*	MAXIMUM FRAME HEIGHT ***	MAXIMUM FRAME WIDTH	MAXIMUM D.L.O. HEIGHT	MAXIMUM D.L.O. WIDTH	MAX. FIXED PANEL WIDTH	MAX. OPERABLE PANEL WIDTH	MAXIMUM PANEL HEIGHT	REQ'D GLASS TYPE & IMPACT RATING ** , *****	REQUIRED LOCK STILE & ASTRAGAL ****	REQUIRED REINFORCED MEETING STILES ****
+60, -60 psf ***	120"	SEE NOTES ON SHEET 7	108 3/16"	56 3/4"	61 5/8"	63 1/4"	116 3/8"	(A), (A1), (B) SMALL & LARGE MISSILE	(7) OR (7A) & (10A) + (10) W/O REINFORCEMENT	NO
+100, -100 psf ***	84"	SEE NOTES ON SHEET 7	72 3/16"	56 3/4"	61 5/8"	63 1/4"	80 3/8"	(A), (A1), (B) SMALL & LARGE MISSILE	(7) OR (7A) & (10A) + (10) W/O REINFORCEMENT	NO
+70, -70 psf ***	144"	SEE NOTES ON SHEET 7	132 3/16"	46 3/4"	51 1/4"	53 1/4"	140 3/8"	(C), (C1), (D) SMALL & LARGE MISSILE	(7) OR (7A) & (10A) + (10) W/ (20) + (22) REINFORCEMENT	YES (21)
+100, -177 psf ***	84"	SEE NOTES ON SHEET 7	72 3/16"	46 3/4"	51 1/4"	53 1/4"	80 3/8"	(C), (C1), (D) SMALL & LARGE MISSILE	(7) OR (7A) & (10A) + (10) W/ (20) + (22) REINFORCEMENT	YES (21)
+55, -55 psf	120"	SEE NOTES ON SHEET 7	108 3/16"	56 3/4"	61 5/8"	63 1/4"	116 3/8"	(A), (A1), (B), (E), (E1) SMALL & LARGE MISSILE	(7) OR (7A) & (10) + (2) (20)	NO
+100, -140 psf	120"	SEE NOTES ON SHEET 7	108 3/16"	44 3/4"	50 9/16"	51 5/8"	116 3/8"	(B1) SMALL MISSILE	(7) OR (7A) & (10A) + (10) W/O REINFORCEMENT	YES (21)
+60, -60 psf	120"	SEE NOTES ON SHEET 7	108 3/16"	54 9/16"	60"	61 5/8"	116 3/8"	(A), (A1), (B), (C), (C1), (D), (E), (E1) ***** SM&LM	(25) + (26) + (2) (7) OR (7A)	NO

SILL RISER SCHEDULE, GIVEN AN A.S.D POSITIVE DESIGN WIND LOAD AND AN EXISTING OVERHANG PROJECTION ABOVE AND OUT FROM DOOR EQUAL TO DOOR FRAME HEIGHT

SILL RISER TYPE	MAX. POSITIVE A.S.D. DESIGN WIND LOAD	OVERHANG REQUIRED	DOOR INCLUDES CORNER W/ (25) & (26) ?
(14A)	50.0 psf or less	NO	ALLOWED †
(4A), (14B), (14C)	Larger than 100.0 psf	YES	NOT ALLOWED
(14B), (14C)	+ 60.0 psf	NO	NOT ALLOWED
(14C)	+ 100.0 psf	NO	NOT ALLOWED
(14B), (14C)	+ 50.0 psf	NO	ALLOWED
(14B), (14C)	+ 60.0 psf	NO	ALLOWED

† : IF POSITIVE ASD DESIGN WIND LOAD IS 50.0 psf OR LESS, NO OVERHANG IS REQUIRED. IF POSITIVE ASD DESIGN WIND LOAD IS LARGER THAN 50.0 psf, OVERHANG, IS REQUIRED.

* SEE SILL RISER SCHEDULE ON THIS SHEET & DETAILS FOR REQUIREMENTS TO ACHIEVE WATER INFILTRATION CAPABILITIES BASED ON SILL RISERS (14A), (14B) OR (14C) AND EXISTING OVERHANG AT BUILDING.

** SEE SHEET 6 FOR LIMITATION FOR SMALL/LARGE MISSILE GIVEN THE GLASS TYPE

*** SEE SCHEDULES #1 & #2 ON SHT. 9 FOR MAX. FRAME HEIGHT & MAX. D.L.O. HEIGHT AND ON CENTERS PANEL WIDTH FOR INTERMEDIATE DESIGN PRESSURES FOR UNREINFORCED OR REINFORCED MEETING STILES & ASTRAGAL.

**** SEE HORIZONTAL SECTIONS FOR REQUIRED REINFORCEMENT (20) & (22) AT ASTRAGALS & REINFORCEMENT (21) AT MEETING STILES ON SHEETS 21, 22 & 23.

***** LIMITED TO ± 55 psf WHEN GLASS (E) OR (E1) IS USED.

Δ SEE LIMITATIONS FOR TRACKS (1C), (2C), (3C) & (4C) ON NOTE Δ, SHEET 9.

FLORIDA BUILDING CODE (High & Non High Velocity Hurricane Zone)

<p align="center">P.E. SEAL/SIGNATURE/DATE</p>	<p align="center">© 2023 TILTECO INC.</p> <p align="center">TILTECO INC.</p> <p align="center">TILLIT TESTING & ENGINEERING COMPANY</p> <p>6355 N.W. 36th St., Ste. 305, VIRGINIA GARDENS, FL 33166 Phone : (305)871-1530 . Fax : (305)871-1531 e-mail: tilteco@aol.com CA-0006719 WALTER A. TILLIT Jr., P.E. FLORIDA Lic. 44167</p>	<p align="center">SERIES 26000 HIGH IMPACT SLIDING GLASS DOOR / LARGE AND SMALL MISSILE</p> <p align="center">290 WEST 78 ROAD HIALEAH, FL 33014 PH: (954)226-5555/(305)558-8103 FAX: (305)558-6665 www.gigwindows.com</p>	<p>W.H. DRAWN BY:</p> <p>08/11/2023 DATE</p>												
			<p>23-173 DRAWING No</p>												
<table border="1"> <thead> <tr> <th>REV. NO</th> <th>DESCRIPTION</th> <th>DATE</th> <th>REV. No</th> <th>DESCRIPTION</th> <th>DATE</th> </tr> </thead> <tbody> <tr> <td>1</td> <td>OLD 21-114</td> <td>08/11/23</td> <td>2</td> <td>-</td> <td>-</td> </tr> </tbody> </table>			REV. NO	DESCRIPTION	DATE	REV. No	DESCRIPTION	DATE	1	OLD 21-114	08/11/23	2	-	-	<p>SHEET 8 OF 26</p>
REV. NO	DESCRIPTION	DATE	REV. No	DESCRIPTION	DATE										
1	OLD 21-114	08/11/23	2	-	-										

SCHEDULE # 1

MAX. DOOR FRAME AND D.L.O HEIGHT* FOR A GIVEN A.S.D. WIND LOAD, VALID FOR 2, 3, 4 & 5 TRACK Δ DOORS W/ UNREINFORCED MEETING STILES AND UNREINFORCED DEEP ASTRAGAL (COMP. ⑦ + ⑩ + ⑩A) AS PER SECTIONS K/21 & L/22, AND 5'-0" O.C. MAX. PANEL WIDTH**

A.S.D. WIND LOAD	MAX. DOOR FRAME HEIGHT			
	L+ (ft-in)	D.L.O. (HEIGHT)	L- (ft-in)	D.L.O. (HEIGHT)
60.0 or LESS	10'-0"	9'-0 3/16"	10'-0"	9'-0 3/16"
62.0	9'-10"	8'-10 3/16"	9'-10"	8'-10 3/16"
64.0	9'-8"	8'-8 3/16"	9'-8"	8'-8 3/16"
66.0	9'-6"	8'-6 3/16"	9'-6"	8'-6 3/16"
68.0	9'-5"	8'-5 3/16"	9'-5"	8'-5 3/16"
70.0	9'-3"	8'-3 3/16"	9'-3"	8'-3 3/16"
72.0	9'-1"	8'-1 3/16"	9'-1"	8'-1 3/16"
74.0	8'-9"	7'-9 3/16"	8'-9"	7'-9 3/16"
76.0	8'-7"	7'-7 3/16"	8'-7"	7'-7 3/16"
78.0	8'-4"	7'-4 3/16"	8'-4"	7'-4 3/16"
80.0	8'-3"	7'-3 3/16"	8'-3"	7'-3 3/16"
82.0	8'-2"	7'-2 3/16"	8'-2"	7'-2 3/16"
84.0	8'-1"	7'-1 3/16"	8'-1"	7'-1 3/16"
86.0	8'-0"	7'-0 3/16"	8'-0"	7'-0 3/16"
88.0	7'-10"	6'-10 3/16"	7'-10"	6'-10 3/16"
90.0	7'-8"	6'-8 3/16"	7'-8"	6'-8 3/16"
92.0	7'-6"	6'-6 3/16"	7'-6"	6'-6 3/16"
94.0	7'-4"	6'-4 3/16"	7'-4"	6'-4 3/16"
96.0	7'-2"	6'-2 3/16"	7'-2"	6'-2 3/16"
98.0	7'-1"	6'-1 3/16"	7'-1"	6'-1 3/16"
100.0	7'-0"	6'-0 3/16"	7'-0"	6'-0 3/16"

SCHEDULE # 2

MAX. DOOR FRAME AND D.L.O HEIGHT* FOR A GIVEN A.S.D. WIND LOAD, VALID FOR 2, 3, 4 & 5 TRACK Δ DOORS W/ REINFORCED MEETING STILES AND REINFORCED DEEP ASTRAGAL (COMP. ⑦ + ⑩ + ⑩A) AS PER SECTIONS K/21 & L/22, AND 4'-2" O.C. MAX. PANEL WIDTH**

A.S.D. WIND LOAD	MAX. DOOR FRAME HEIGHT			
	L+ (ft-in)	D.L.O. (HEIGHT)	L- (ft-in)	D.L.O. (HEIGHT)
+70.0, -70.0 or LESS	12'-0"	11'-0 3/16"	12'-0"	11'-0 3/16"
72.0	11'-6"	10'-6 3/16"	11'-10"	10'-10 3/16"
74.0	11'-0"	10'-0 3/16"	11'-8"	10'-8 3/16"
76.0	10'-6"	9'-6 3/16"	11'-2"	10'-2 3/16"
78.0	10'-0"	9'-0 3/16"	11'-0"	10'-0 3/16"
80.0	9'-8"	8'-8 3/16"	10'-10"	9'-10 3/16"
82.0	9'-4"	8'-4 3/16"	10'-8"	9'-8 3/16"
84.0	9'-0"	8'-0 3/16"	10'-6"	9'-6 3/16"
86.0	8'-8"	7'-8 3/16"	10'-4"	9'-4 3/16"
88.0	8'-6"	7'-6 3/16"	10'-0"	9'-0 3/16"
90.0	8'-4"	7'-4 3/16"	9'-10"	8'-10 3/16"
92.0	8'-1"	7'-1 3/16"	9'-8"	8'-8 3/16"
94.0	7'-9"	6'-9 3/16"	9'-6"	8'-6 3/16"
96.0	7'-6"	6'-6 3/16"	9'-4"	8'-4 3/16"
98.0	7'-3"	6'-3 3/16"	9'-4"	8'-4 3/16"
100.0	7'-0"	6'-0 3/16"	9'-3"	8'-3 3/16"
102.0	-	-	9'-2"	8'-2 3/16"
104.0	-	-	9'-1"	8'-1 3/16"
106.0	-	-	9'-0"	8'-0 3/16"
108.0	-	-	8'-11"	7'-11 3/16"
110.0	-	-	8'-10"	7'-10 3/16"
112.0	-	-	8'-9"	7'-9 3/16"
114.0	-	-	8'-8"	7'-8 3/16"
116.0	-	-	8'-7"	7'-7 3/16"
118.0	-	-	8'-6"	7'-6 3/16"
120.0	-	-	8'-6"	7'-6 3/16"
122.0	-	-	8'-5"	7'-5 3/16"

CONTINUATION				
124.0	-	-	8'-4"	7'-4 3/16"
126.0	-	-	8'-3"	7'-3 3/16"
128.0	-	-	8'-2"	7'-2 3/16"
130.0	-	-	8'-1"	7'-1 3/16"
132.0	-	-	8'-0"	7'-0 3/16"
134.0	-	-	8'-0"	7'-0 3/16"
136.0	-	-	7'-11"	6'-11 3/16"
138.0	-	-	7'-10"	6'-10 3/16"
140.0	-	-	7'-10"	6'-10 3/16"
142.0	-	-	7'-10"	6'-10 3/16"
144.0	-	-	7'-9"	6'-9 3/16"
146.0	-	-	7'-7"	6'-7 3/16"
148.0	-	-	7'-7"	6'-7 3/16"
150.0	-	-	7'-6"	6'-6 3/16"
152.0	-	-	7'-6"	6'-6 3/16"
154.0	-	-	7'-5"	6'-5 3/16"
156.0	-	-	7'-5"	6'-5 3/16"
158.0	-	-	7'-4"	6'-4 3/16"
160.0	-	-	7'-4"	6'-4 3/16"
162.0	-	-	7'-4"	6'-4 3/16"
164.0	-	-	7'-3"	6'-3 3/16"
166.0	-	-	7'-3"	6'-3 3/16"
168.0	-	-	7'-2"	6'-2 3/16"
170.0	-	-	7'-2"	6'-2 3/16"
172.0	-	-	7'-1"	6'-1 3/16"
174.0	-	-	7'-1"	6'-1 3/16"
176.0	-	-	7'-0"	6'-0 3/16"
177.0	-	-	7'-0"	6'-0 3/16"

*** DEFINITIONS :**

L+ : MAXIMUM DOOR FRAME & D.L.O HEIGHT FOR A GIVEN POSITIVE A.S.D. WIND LOAD. SEE SCHEDULE ON SHEET 8 FOR SILL RISER REQUIREMENTS FOR WATER INFILTRATION.

L- : MAXIMUM DOOR FRAME & D.L.O HEIGHT FOR A GIVEN NEGATIVE A.S.D. WIND LOAD.

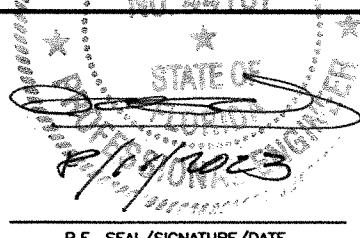


L_{FINAL} : MINIMUM BETWEEN L+, L- FOR A GIVEN A.S.D. WIND LOAD ON A JOB.

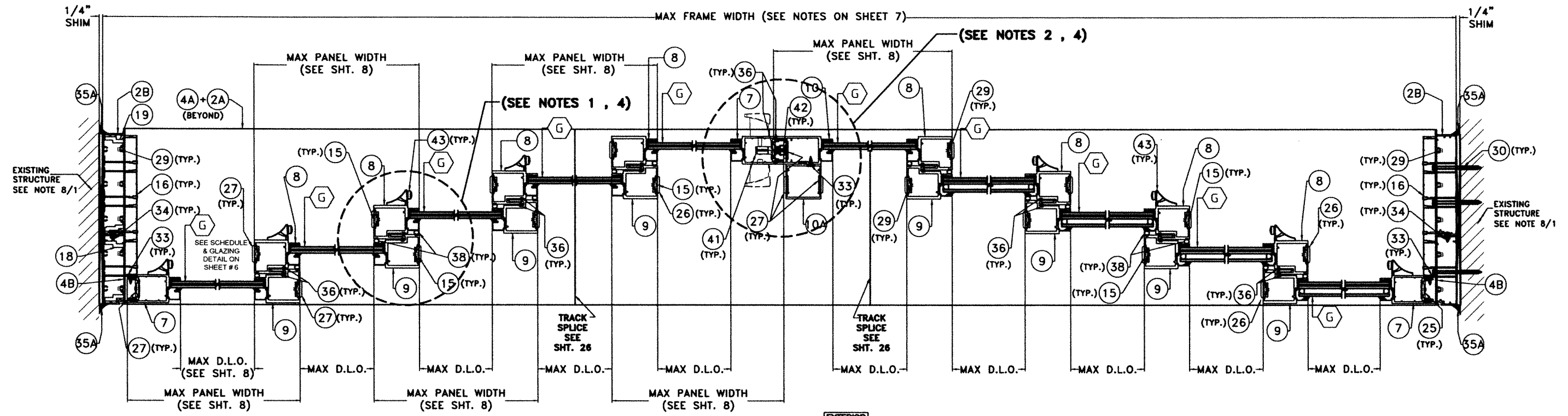
**** MAX. A.S.D. PRESSURE RATING FOR DOORS WITH "SHALLOW" ASTRAGAL PER SECTION M/23 AND /OR WITH ⑰ HOOK STRIP (POCKET DOORS) PER SHT. 16 IS ± 55.0 psf, VALID FOR UP TO 120" FRAME HEIGHT & 5'-0" O.C. PANEL WIDTH.**

MAX. A.S.D. PRESSURE RATING FOR DOORS W/ CORNERS AT 90° W/ ⑳, ㉑ PER SHT. 15 VARIES WITH SILL RISER, USE ④A, ④B PER SCHEDULE ON SHT. 8, BUT NOT TO EXCEED ± 60 p.s.f. VALID FOR UP TO 120" MAX. DOOR HEIGHT & 5'-0" O.C. MAX. PANEL WIDTH.

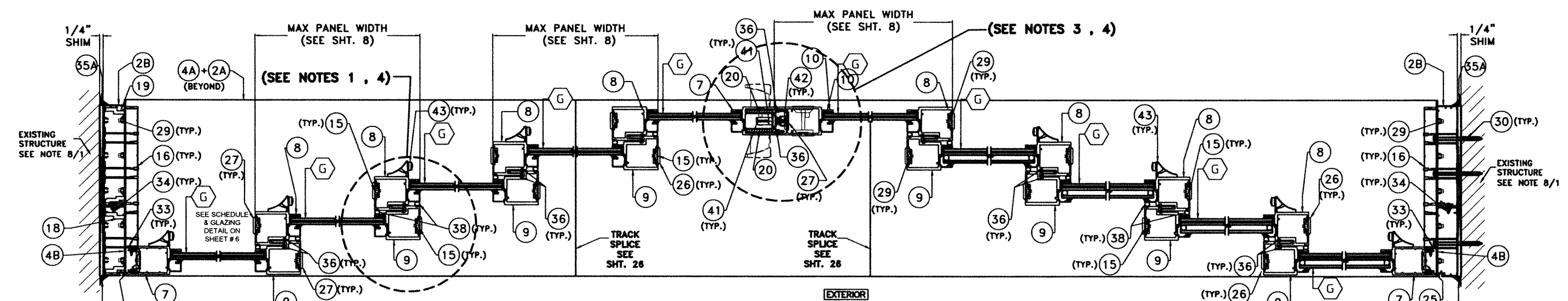
Δ TRACKS ①C, ②C, ③C & ④C ARE LIMITED TO INSTALLATIONS WITH -60 psf MAX. A.S.D. NEGATIVE PRESSURE RATING, AND FOR +50 psf MAX. A.S.D. POSITIVE PRESSURE RATING, IF USED WITH SILL RISER ①A, AND +55 p.s.f., IF USED WITH SILL RISER ④C FOR BOTH LIGHT (COMP. ⑩) OR HEAVY (COMP. ⑩ + ⑩A) ASTRAGAL OR IF USED WITH 90° CORNER ACTIVE & INACTIVE PROFILES (COMP. ⑳, ㉑).

FLORIDA BUILDING CODE (High & Non High Velocity Hurricane Zone)

 P.E. SEAL/SIGNATURE/DATE	© 2023 TILTECO INC.  TILTECO INC. TILLIT TESTING & ENGINEERING COMPANY 6355 N.W. 36th St., Ste. 305, VIRGINIA GARDENS, FL 33166 Phone : (305)871-1530 . Fax : (305)871-1531 e-mail: tilteco@aol.com CA-0006719 WALTER A. TILLIT Jr., P.E. FLORIDA Lic. 44167	SERIES 26000 HIGH IMPACT SLIDING GLASS DOOR / LARGE AND SMALL MISSILE  290 WEST 78 ROAD HIALEAH, FL 33014 PH: (954)226-5555/(305)558-8103 FAX: (305)558-6665 www.gigwindows.com	W.J.H. DRAWN BY: 08/11/2023 DATE 23-173 DRAWING No												
<table border="1" style="width: 100%; border-collapse: collapse; font-size: small;"> <thead> <tr> <th>REV. NO</th> <th>DESCRIPTION</th> <th>DATE</th> <th>REV. No</th> <th>DESCRIPTION</th> <th>DATE</th> </tr> </thead> <tbody> <tr> <td>1</td> <td>OLD 21-114</td> <td>08/11/23</td> <td>2</td> <td>-</td> <td>-</td> </tr> </tbody> </table>			REV. NO	DESCRIPTION	DATE	REV. No	DESCRIPTION	DATE	1	OLD 21-114	08/11/23	2	-	-	SHEET 9 OF 26
REV. NO	DESCRIPTION	DATE	REV. No	DESCRIPTION	DATE										
1	OLD 21-114	08/11/23	2	-	-										



SECTION N-N (W/ "DEEP ASTRAGAL")
 N.T.S.
 (SEE SHEET 7 FOR NOTES ON 2, 3 & 4 TRACK CONFIGURATION)



SECTION N-N (W/ "SHALLOW ASTRAGAL")
 N.T.S.
 (SEE SHEET 7 FOR NOTES ON 2, 3 & 4 TRACK CONFIGURATION)

- NOTES:**
- 1- SEE SHEET 21 FOR REINFORCED & UNREINFORCED MEETING STILES DETAILS.
 - 2- SEE SHEET 22 FOR REINFORCED & UNREINFORCED "DEEP ASTRAGAL" DETAILS.
 - 3- SEE SHEET 23 FOR REINFORCED "SHALLOW ASTRAGAL" DETAILS.
 - 4- SEE SCHEDULE ON SHEET 8 FOR REINFORCED REQUIREMENTS FOR ASTRAGALS & MEETING STILES.

FLORIDA BUILDING CODE (High & Non High Velocity Hurricane Zone)

P.E. SEAL/SIGNATURE/DATE
 8/11/2023

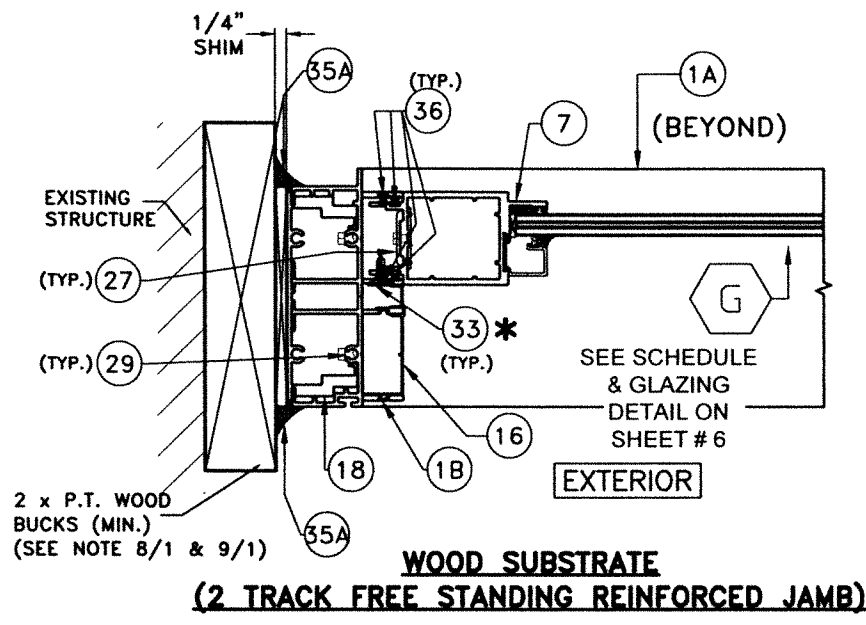
© 2023 TILTECO INC.
TILTECO INC.
 TILLIT TESTING & ENGINEERING COMPANY
 6355 N.W. 36th St., Ste. 305, VIRGINIA GARDENS, FL 33168
 Phone: (305)871-1530 Fax: (305)871-1531
 e-mail: tilliteco@aol.com
 CA-0006719
 WALTER A. TILLIT Jr., P.E.
 FLORIDA Lic. 44167

SERIES 28000 HIGH IMPACT SLIDING GLASS DOOR / LARGE AND SMALL MISSILE

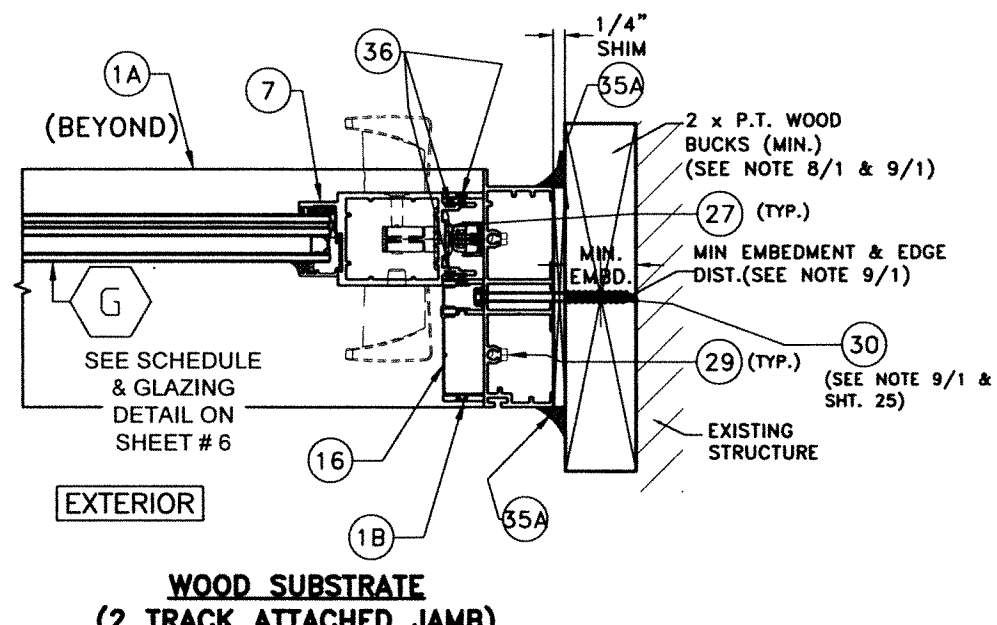
 290 WEST 78 ROAD
 HIALEAH, FL 33014
 PH: (954)226-5555/(305)558-8103
 FAX: (305)558-6685
 www.gigwindows.com

W.H. DRAWN BY:
 08/11/2023 DATE
 23-173 DRAWING No
 SHEET 10 OF 26

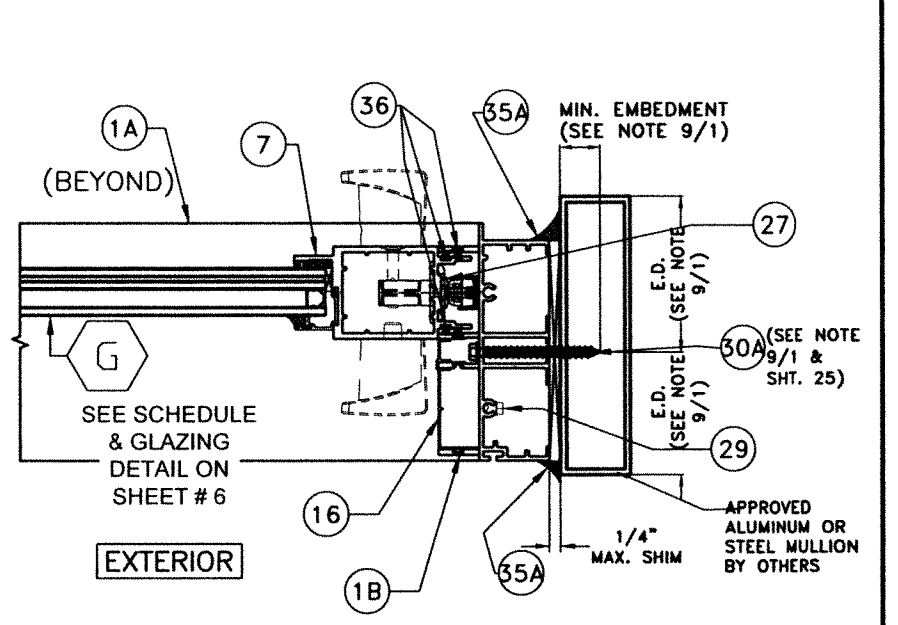
REV. NO	DESCRIPTION	DATE	REV. No	DESCRIPTION	DATE
1	OLD 21-114	08/11/23	2	-	-



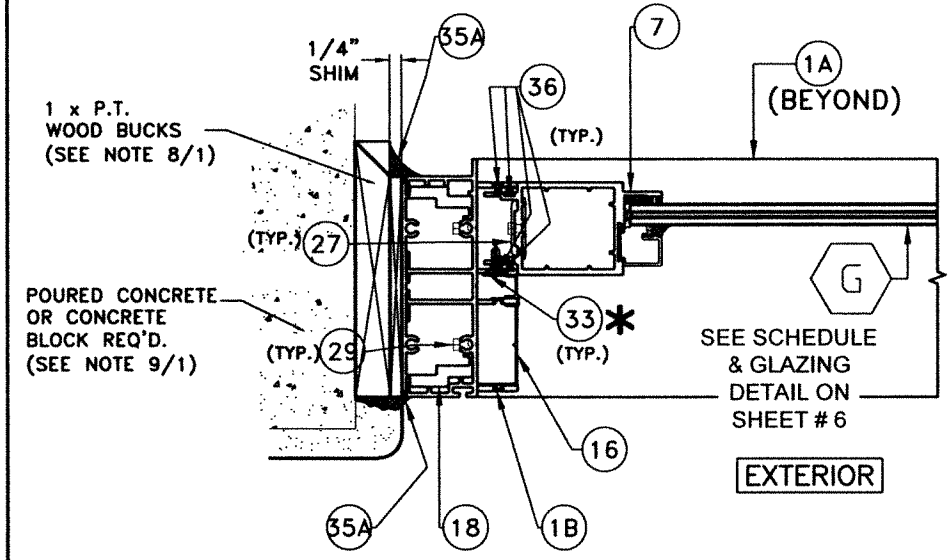
**WOOD SUBSTRATE
(2 TRACK FREE STANDING REINFORCED JAMB)**



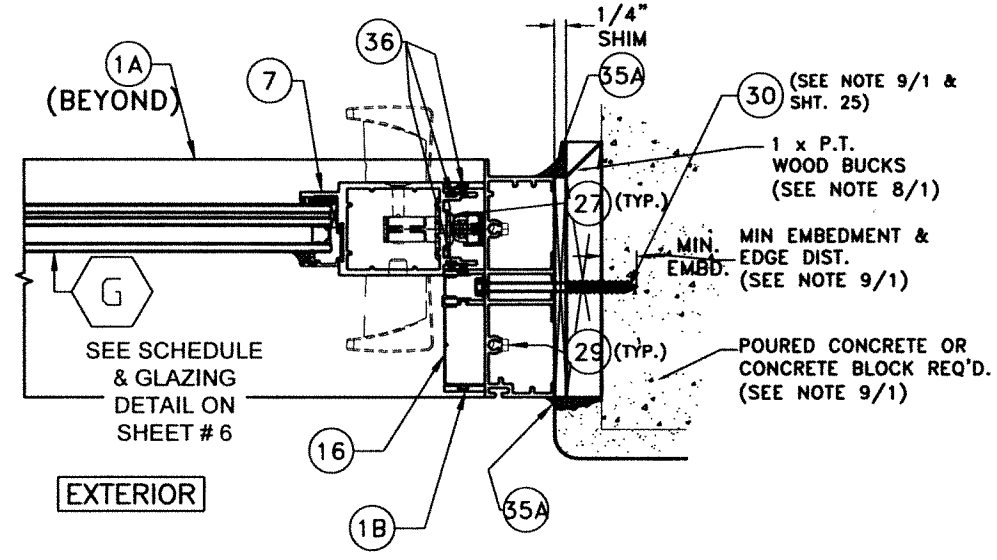
**WOOD SUBSTRATE
(2 TRACK ATTACHED JAMB)**



**ALUMINUM OR STEEL SUBSTRATE
(2 TRACK ATTACHED JAMB)**



**CONCRETE OR CONCRETE BLOCK SUBSTRATE
(2 TRACK FREE STANDING REINFORCED JAMB)**



**CONCRETE OR CONCRETE BLOCK SUBSTRATE
(2 TRACK ATTACHED JAMB)**

**SECTIONS E-E
W/INSULATED OR LAMINATED GLASS
(2 TRACK)**

N.T.S.

NOTE 1: FOR MAXIMUM FRAME, PANEL & DLO LIMITATIONS SEE SCHEDULE ON SHEET 8 & ANCHOR SPACING SEE SCHEDULE ON SHEET 25

NOTE 2: SUBSTRATE CAN BE COMBINED AS APPLICABLE

NOTE 3: GLASS TYPE CAN BE LAMINATED OR INSULATED SEE SCHEDULE FOR LIMITATIONS ON SHEET 6

*** FIX PANEL ASSEMBLY REQUIRES COMPONENT 33 AT TOP & BOTTOM 1\"/>**

WALTER A. TILLIT JR.
LICENSE
NO. 44167
8/11/2023
P.E. SEAL/SIGNATURE/DATE

© 2023 TILTECO INC.
TILTECO INC.
TILLIT TESTING & ENGINEERING COMPANY
6355 N.W. 36th St., Ste. 305, VIRGINIA GARDENS, FL 33166
Phone: (305)871-1530 Fax: (305)871-1531
e-mail: tilteco@aol.com
CA-0006719
WALTER A. TILLIT Jr., P.E.
FLORIDA Lic. 44167

FLORIDA BUILDING CODE (High & Non High Velocity Hurricane Zone)

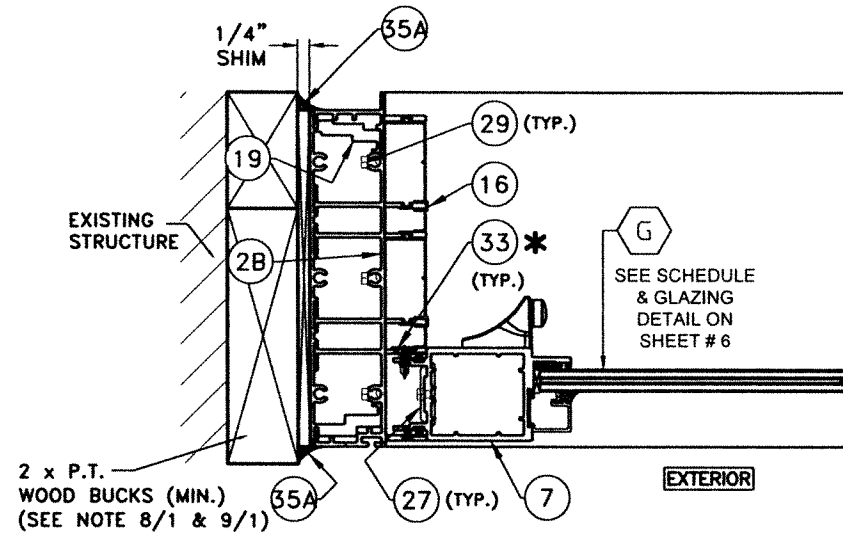
**SERIES 26000 HIGH IMPACT SLIDING
GLASS DOOR / LARGE AND SMALL MISSILE**

W.H. DRAWN BY:
08/11/2023
DATE

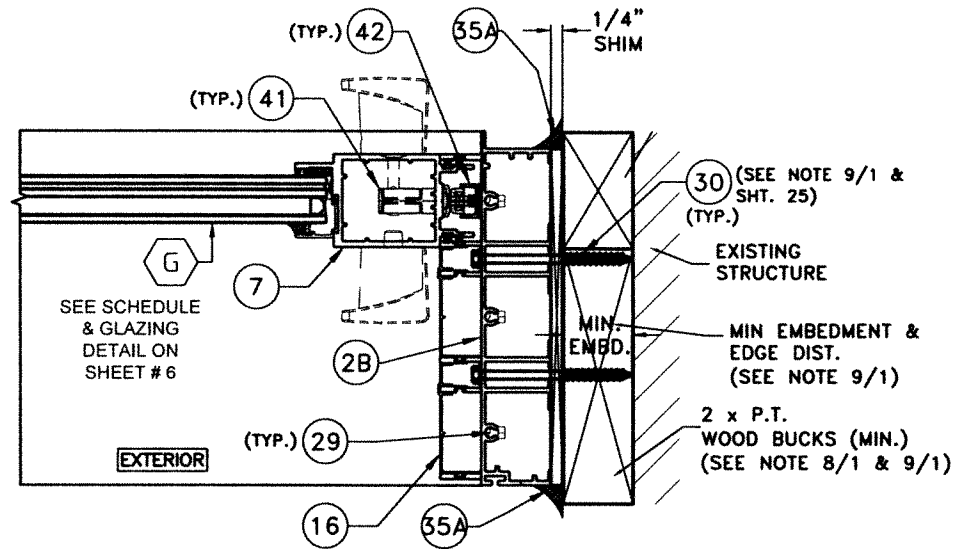
23-173
DRAWING No

290 WEST 78 ROAD
HIALEAH, FL 33014
PH: (954)228-5555/(305)558-8103
FAX: (305)558-6865
www.glgwindows.com

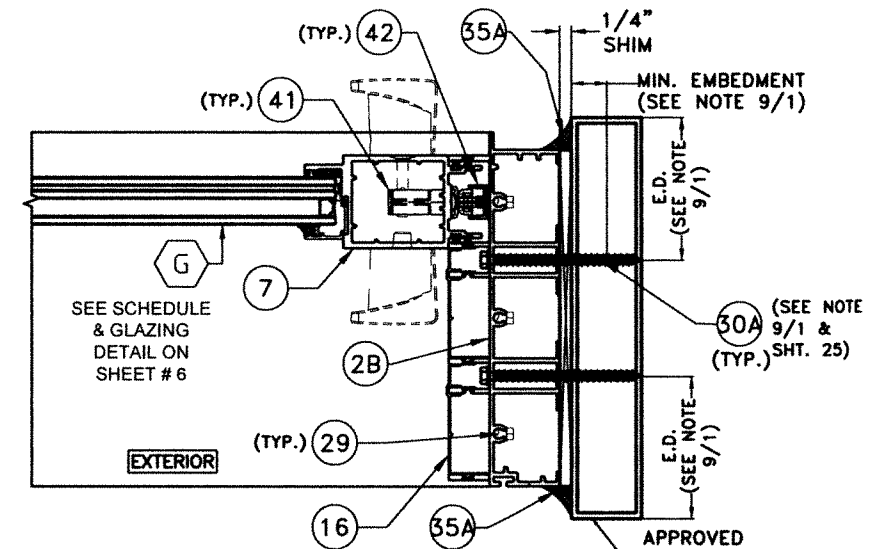
REV. NO	DESCRIPTION	DATE	REV. No	DESCRIPTION	DATE
1	OLD 21-114	08/11/23	2	-	-



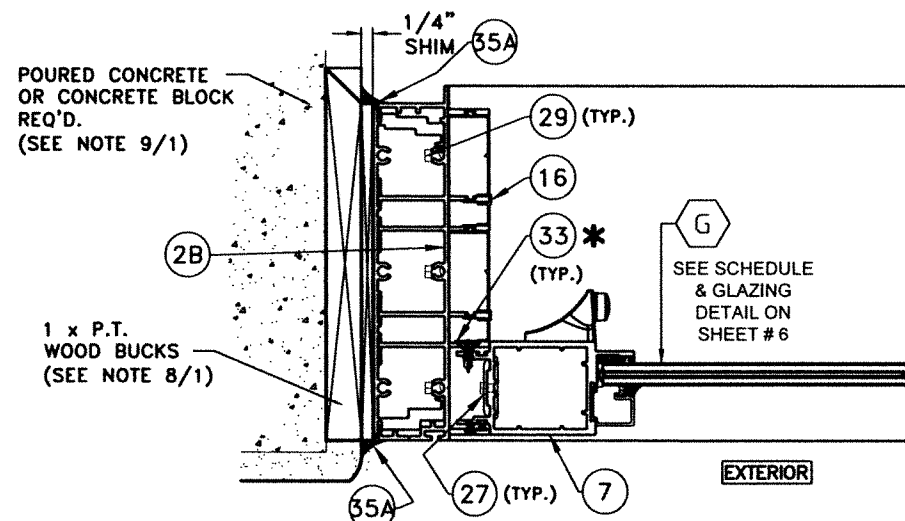
**WOOD SUBSTRATE
(3 TRACK REINFORCED JAMB)**



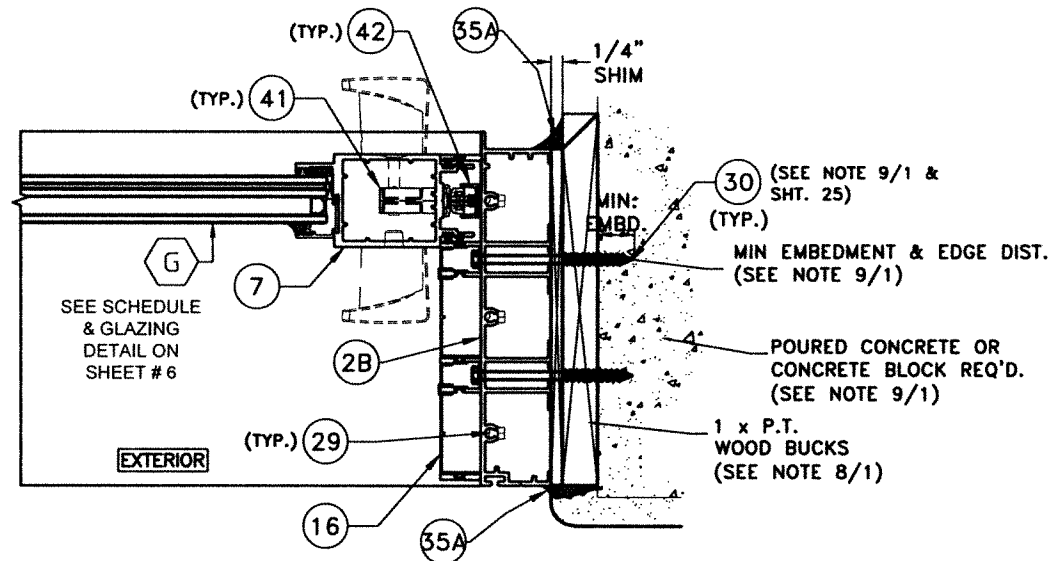
**WOOD SUBSTRATE
(3 TRACK ATTACHED JAMB)**



**ALUMINUM OR STEEL SUBSTRATE
(3 TRACK ATTACHED JAMB)**



**CONCRETE OR CONCRETE BLOCK SUBSTRATE
(3 TRACK FREE STANDING ATTACHED JAMB)**



**CONCRETE OR CONCRETE BLOCK SUBSTRATE
(3 TRACK ATTACHED JAMB)**

**SECTIONS F-F
W/LAMINATED OR INSULATED GLASS
(3 TRACK)
N.T.S.**

NOTE 1: FOR MAXIMUM FRAME, PANEL & DLO LIMITATIONS SEE SCHEDULE ON SHEET 8 & ANCHOR SPACING SEE SCHEDULE ON SHEET 25

NOTE 2: SUBSTRATE CAN BE COMBINED AS APPLICABLE

NOTE 3: GLASS TYPE CAN BE LAMINATED OR INSULATED SEE SCHEDULE FOR LIMITATIONS ON SHEET 6

*** FIX PANEL ASSEMBLY REQUIRES COMPONENT 33 AT TOP & BOTTOM 1" FROM EDGES AND AT 8" O.C.**

WALTER A. TILLIT JR.
LICENSE
No. 44167
STATE OF FLORIDA
8/11/2023
P.E. SEAL/SIGNATURE/DATE

© 2023 TILTECO INC.
TILTECO INC.
TILLIT TESTING & ENGINEERING COMPANY
6355 N.W. 36th St., Ste. 305, VIRGINIA GARDENS, FL 33186
Phone : (305)871-1530 . Fax : (305)871-1531
e-mail: tilteco@aol.com
CA-0006719
WALTER A. TILLIT Jr., P.E.
FLORIDA Lic. 44167

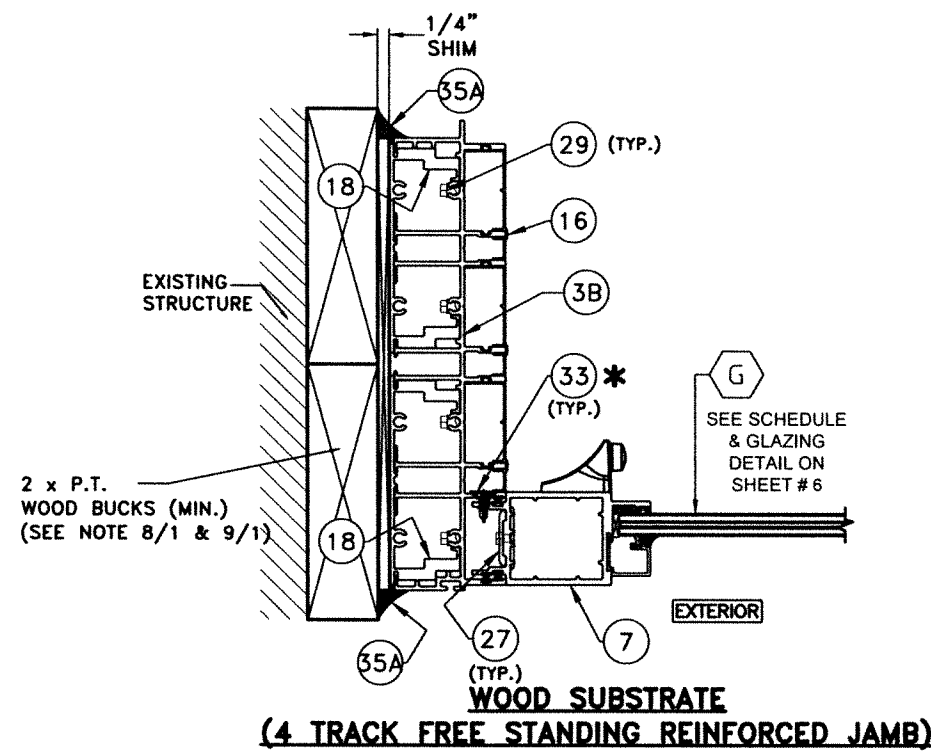
FLORIDA BUILDING CODE (High & Non High Velocity Hurricane Zone)

REV. NO	DESCRIPTION	DATE	REV. No	DESCRIPTION	DATE	W.H DRAWN BY:
1	OLD 21-114	08/11/23	2	-	-	08/11/2023 DATE
						23-173 DRAWING No
						SHEET 12 OF 26

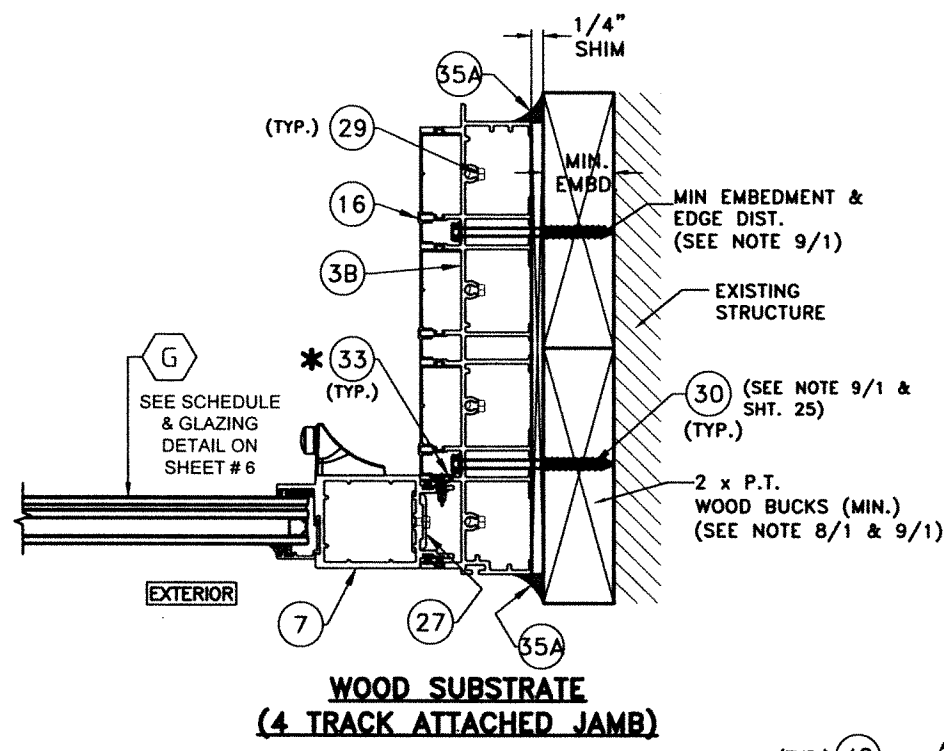
**SERIES 26000 HIGH IMPACT SLIDING
GLASS DOOR / LARGE AND SMALL MISSILE**

GIG
WINDOWS & DOORS

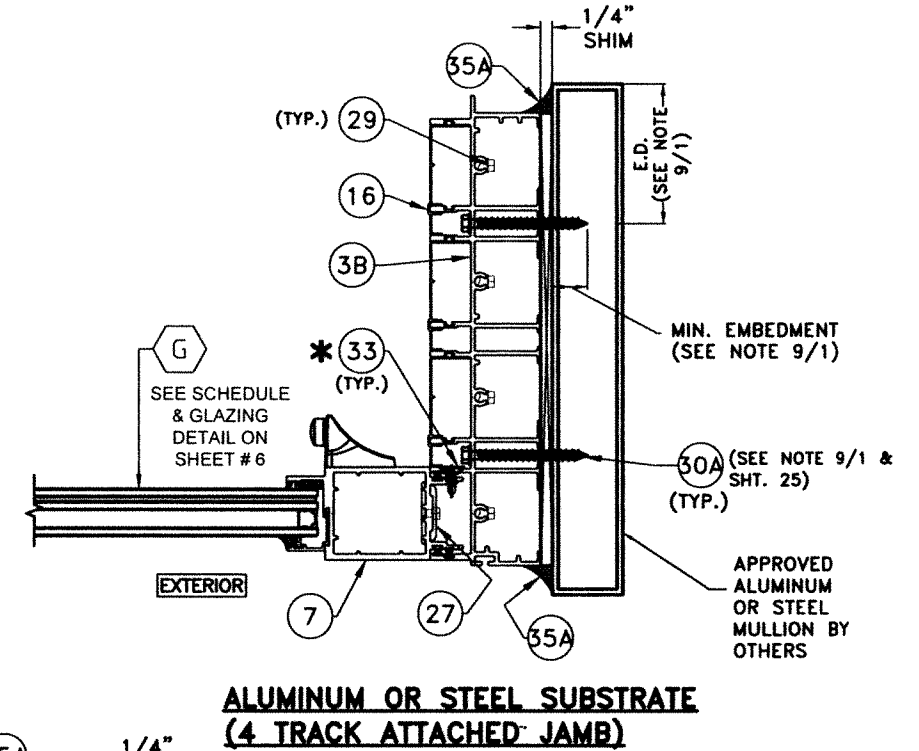
290 WEST 78 ROAD
HIALEAH, FL. 33014
PH: (954)226-5555/(305)558-8103
FAX: (305)558-6665
www.gigwindows.com



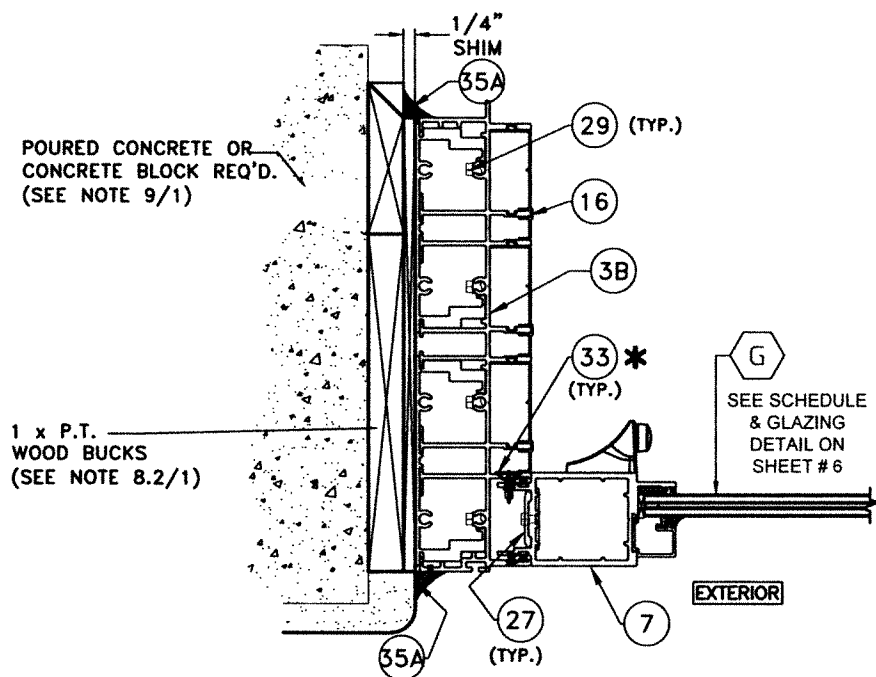
**WOOD SUBSTRATE
(4 TRACK FREE STANDING REINFORCED JAMB)**



**WOOD SUBSTRATE
(4 TRACK ATTACHED JAMB)**

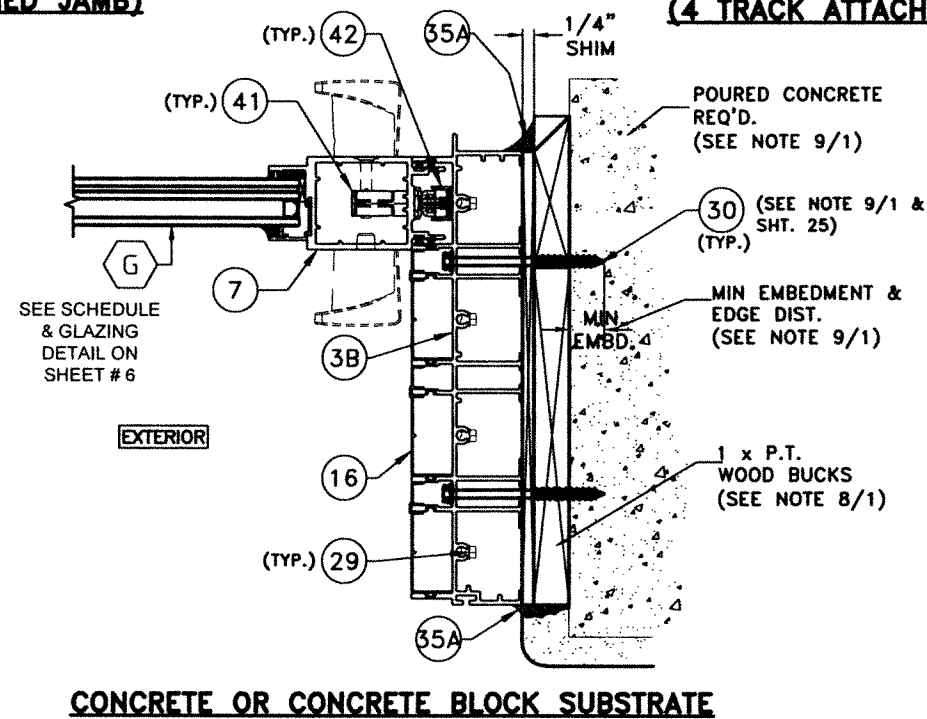


**ALUMINUM OR STEEL SUBSTRATE
(4 TRACK ATTACHED JAMB)**



**CONCRETE OR CONCRETE BLOCK SUBSTRATE
(4 TRACK FREE STANDING REINFORCED JAMB)**

NOTE 1: FOR MAXIMUM FRAME, PANEL & DLO LIMITATIONS SEE SCHEDULE ON SHEET 8 & ANCHOR SPACING SEE SCHEDULE ON SHEET 25
NOTE 2: SUBSTRATE CAN BE COMBINED AS APPLICABLE
NOTE 3: GLASS TYPE CAN BE LAMINATED OR INSULATED SEE SCHEDULE FOR LIMITATIONS ON SHEET 6



**CONCRETE OR CONCRETE BLOCK SUBSTRATE
(4 TRACK ATTACHED JAMB)**

**SECTIONS G-G
W/LAMINATED OR INSULATED GLASS
(4 TRACK)**

*** FIX PANEL ASSEMBLY REQUIRES COMPONENT 33 AT TOP & BOTTOM 1" FROM EDGES AND AT 8" O.C.**

N.T.S.

Professional Engineer Seal/Signature/Date: No. 44167, 8/15/2023, P.E. SEAL/SIGNATURE/DATE

© 2023 TILTECO INC.
TILTECO INC.
 TILLIT TESTING & ENGINEERING COMPANY
 6355 N.W. 36th St., Ste. 305, VIRGINIA GARDENS, FL 33166
 Phone: (305)871-1530, Fax: (305)871-1531
 e-mail: tilteco@aol.com
 CA-0006719
 WALTER A. TILLIT Jr., P.E.
 FLORIDA Lic. 44167

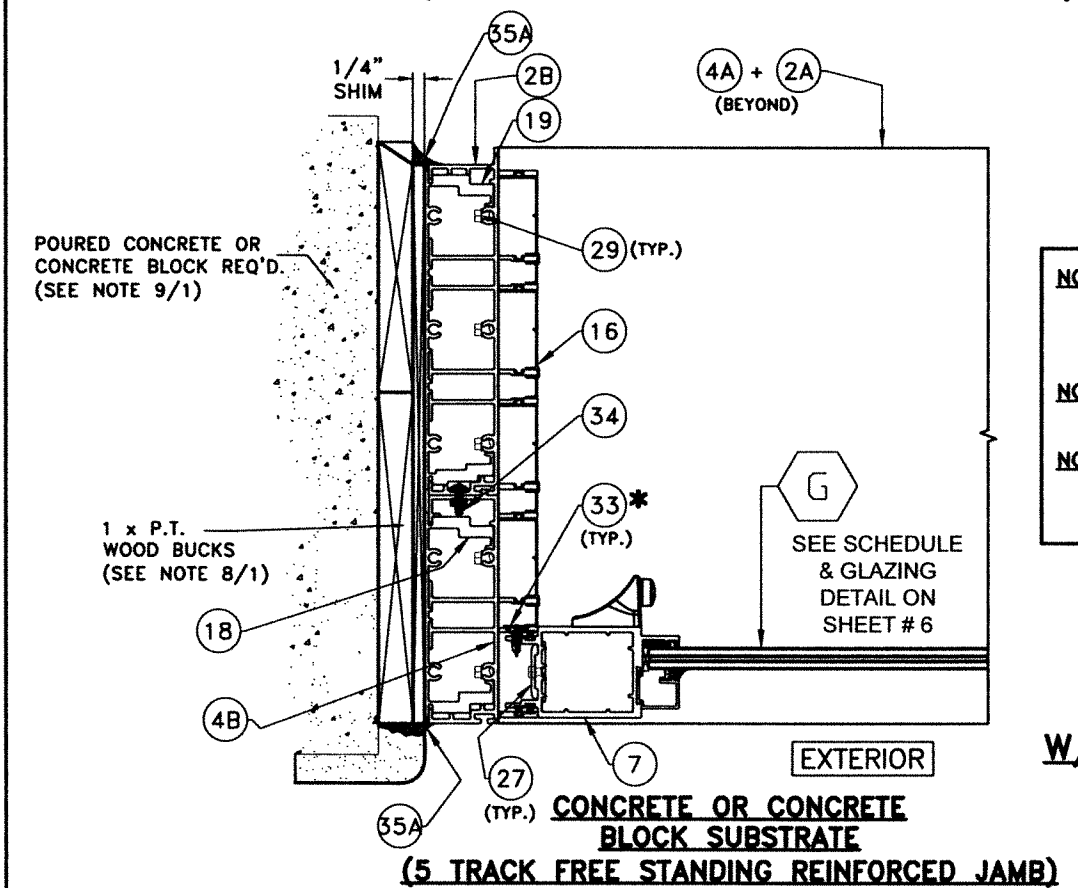
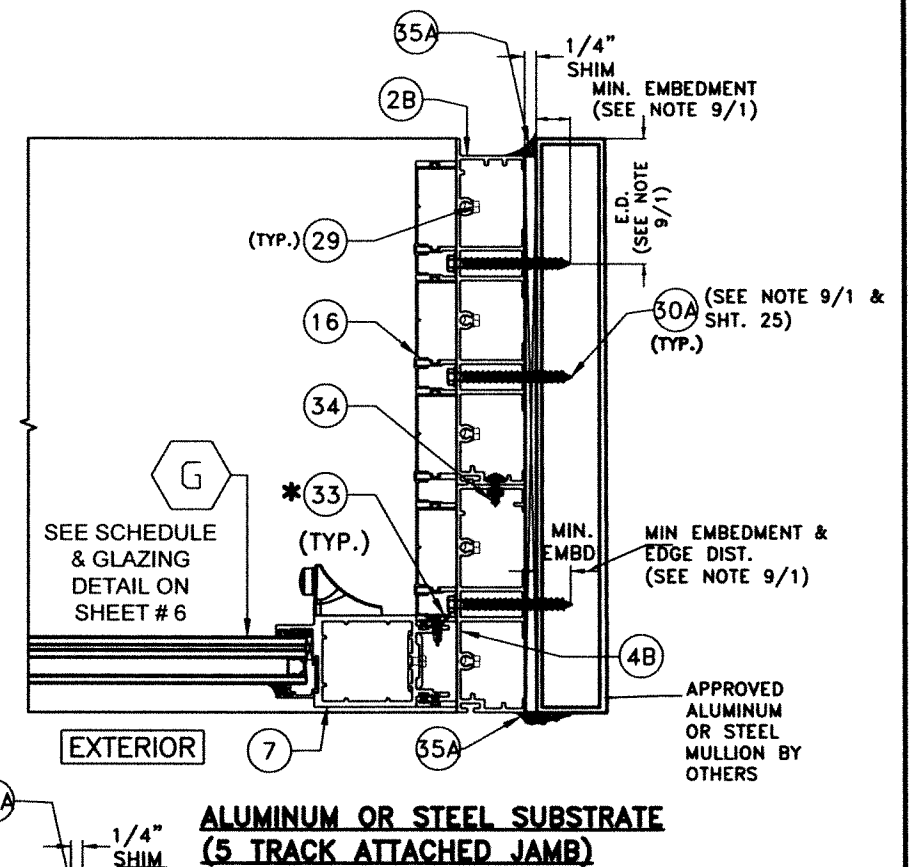
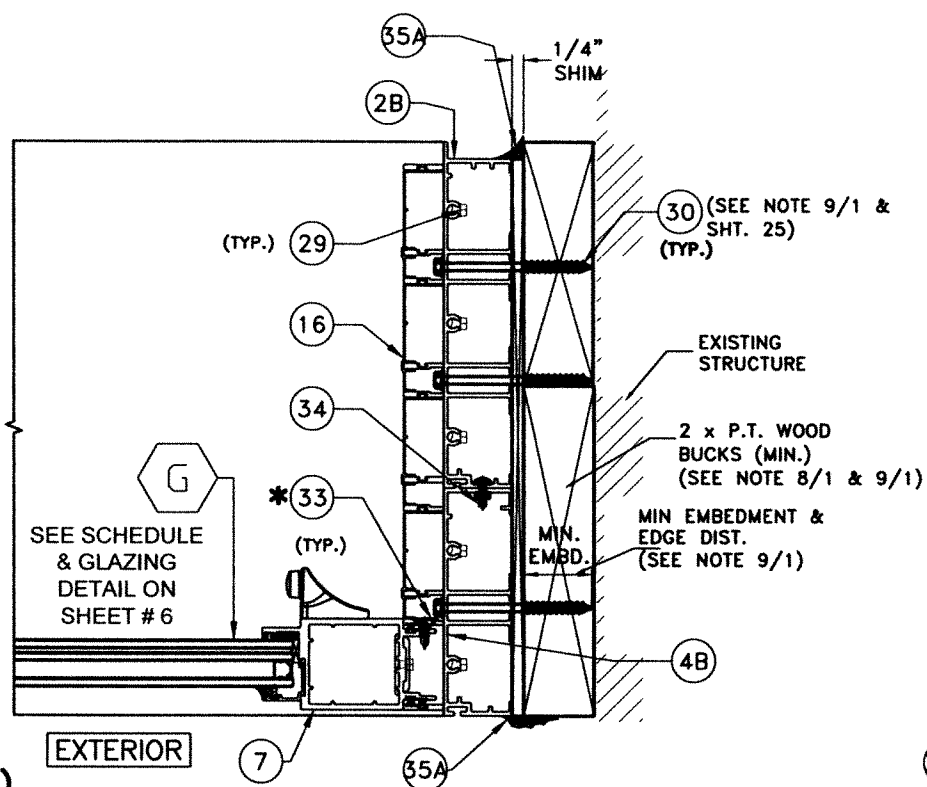
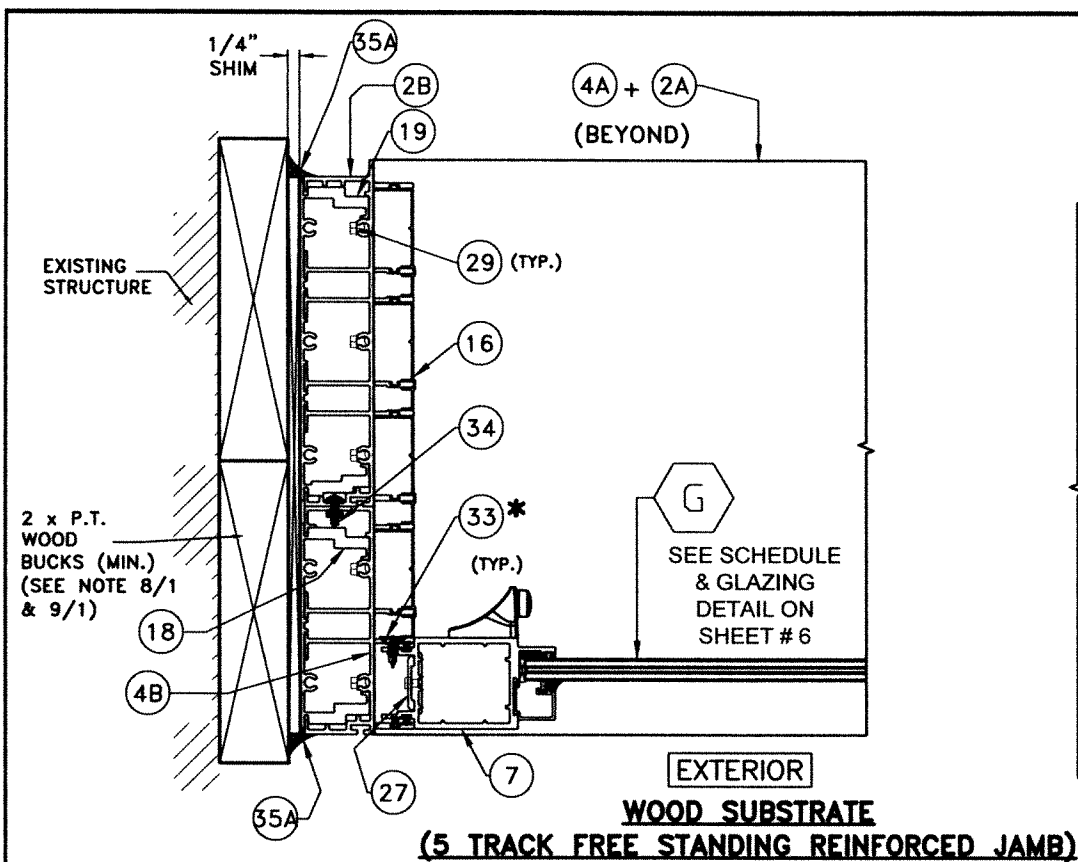
FLORIDA BUILDING CODE (High & Non High Velocity Hurricane Zone)

SERIES 26000 HIGH IMPACT SLIDING GLASS DOOR / LARGE AND SMALL MISSILE				W.H. DRAWN BY:
				08/11/2023 DATE
				23-173 DRAWING No
REV. No	DESCRIPTION	DATE	REV. No	DESCRIPTION
1	OLD 21-114	08/11/23	2	-

290 WEST 78 ROAD
 HIALEAH, FL 33014
 PH: (954)226-5555/(305)558-8103
 FAX: (305)558-6665
 www.gigwindows.com

GIG WINDOWS & DOORS

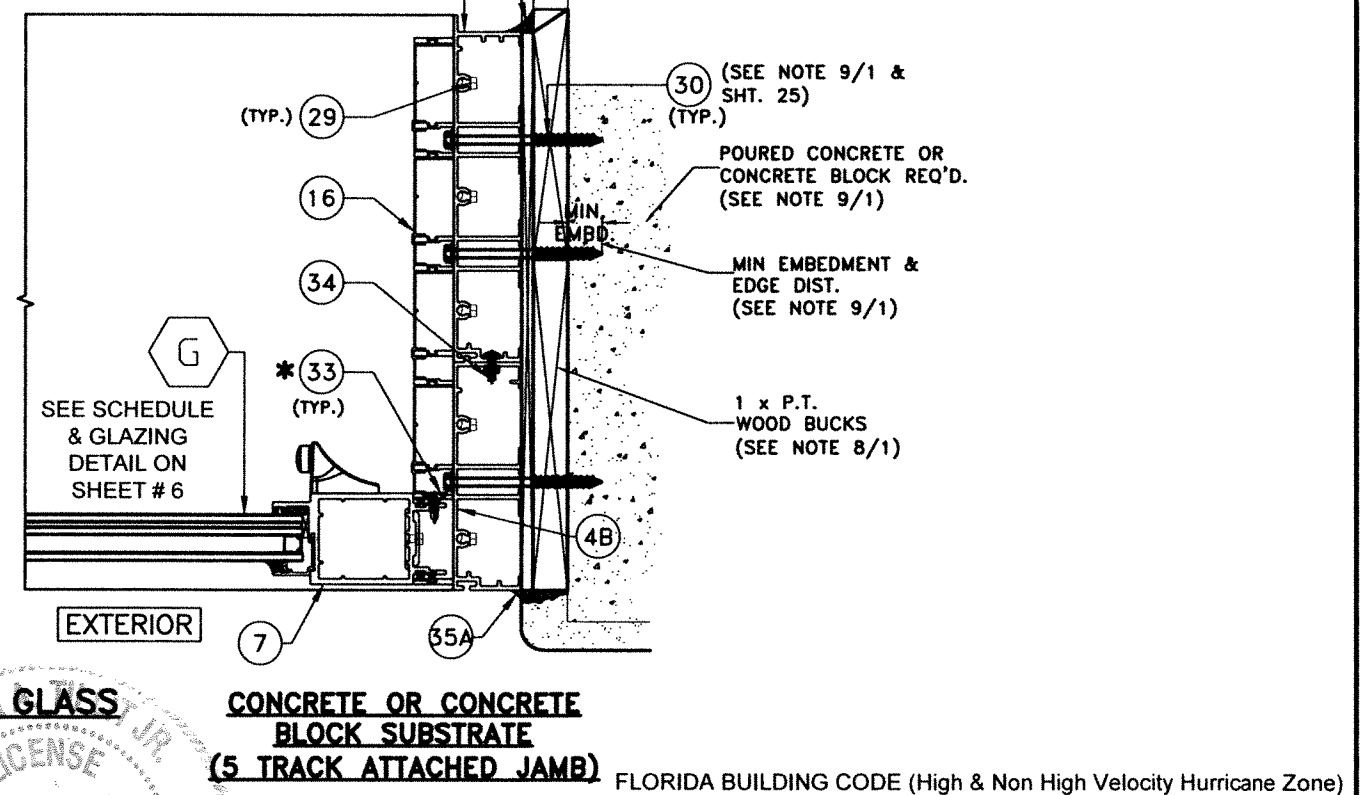
SHEET 13 OF 26



NOTE 1: FOR MAXIMUM FRAME, PANEL & DLO LIMITATIONS SEE SCHEDULE ON SHEET 8 & ANCHOR SPACING SEE SCHEDULE ON SHEET 25

NOTE 2: SUBSTRATE CAN BE COMBINED AS APPLICABLE

NOTE 3: GLASS TYPE CAN BE LAMINATED OR INSULATED SEE SCHEDULE FOR LIMITATIONS ON SHEET 6



**SECTIONS H-H
W/LAMINATED OR INSULATED GLASS
(5 TRACK)
N.T.S.**

FLORIDA BUILDING CODE (High & Non High Velocity Hurricane Zone)

*** FIX PANEL ASSEMBLY REQUIRES COMPONENT 33 AT TOP & BOTTOM 1" FROM EDGES AND AT 8" O.C.**

Professional Engineer Seal/Signature/Date

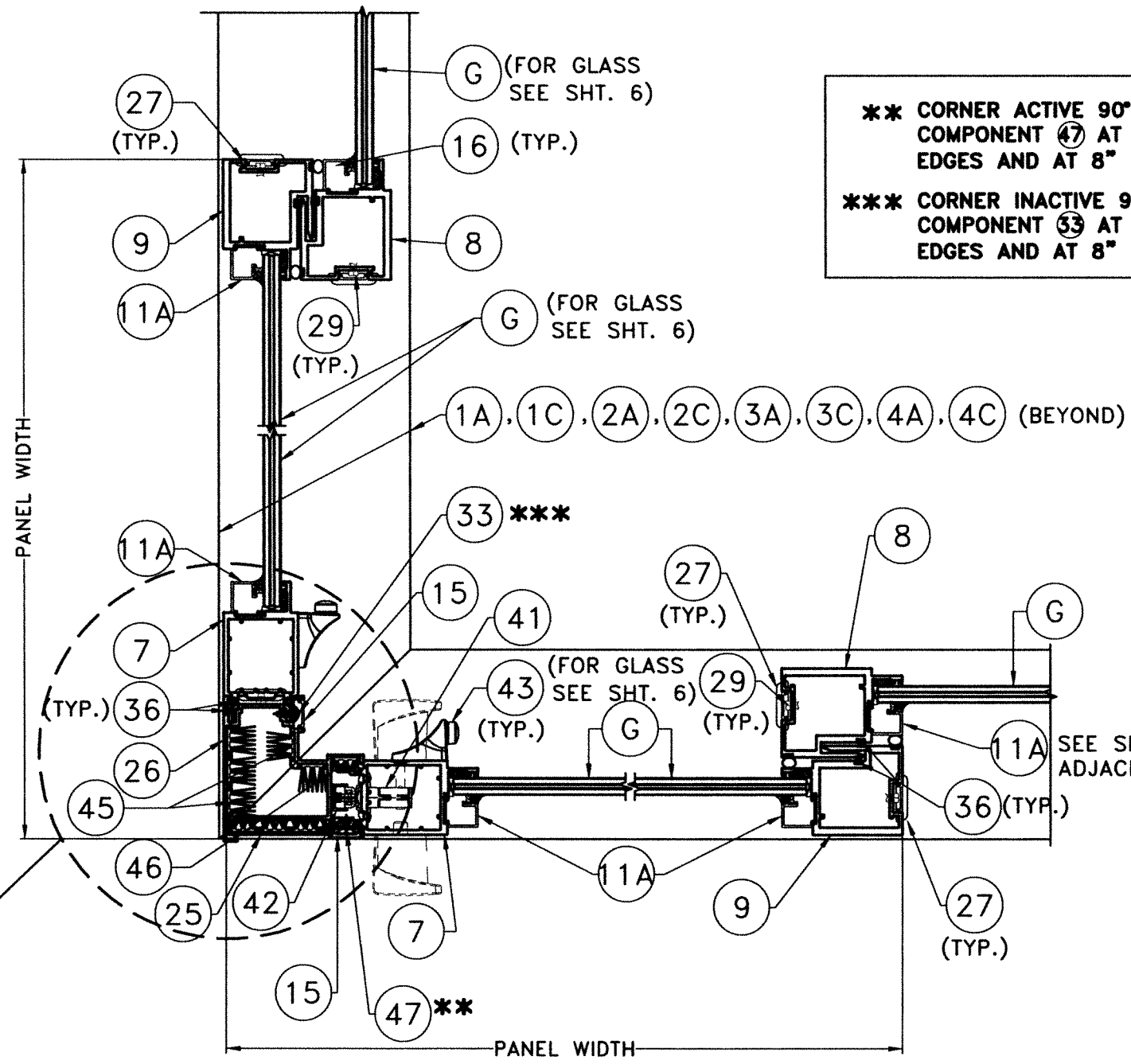
© 2023 TILTECO INC.
TILTECO INC.
TILLIT TESTING & ENGINEERING COMPANY
6355 N.W. 38th St., Ste. 305, VIRGINIA GARDENS, FL 33168
Phone: (305)871-1530 Fax: (305)871-1531
e-mail: tilteco@aol.com
CA-0006719
WALTER A. TILLIT Jr., P.E.
FLORIDA Lic. 44167

**SERIES 28000 HIGH IMPACT SLIDING
GLASS DOOR / LARGE AND SMALL MISSILE**

290 WEST 78 ROAD
HIALEAH, FL. 33014
PH: (954)226-5555/(305)558-8103
FAX: (305)558-6665
www.glgwindows.com

REV. NO	DESCRIPTION	DATE	REV. NO	DESCRIPTION	DATE
1	OLD 21-114	08/11/23	2	-	-

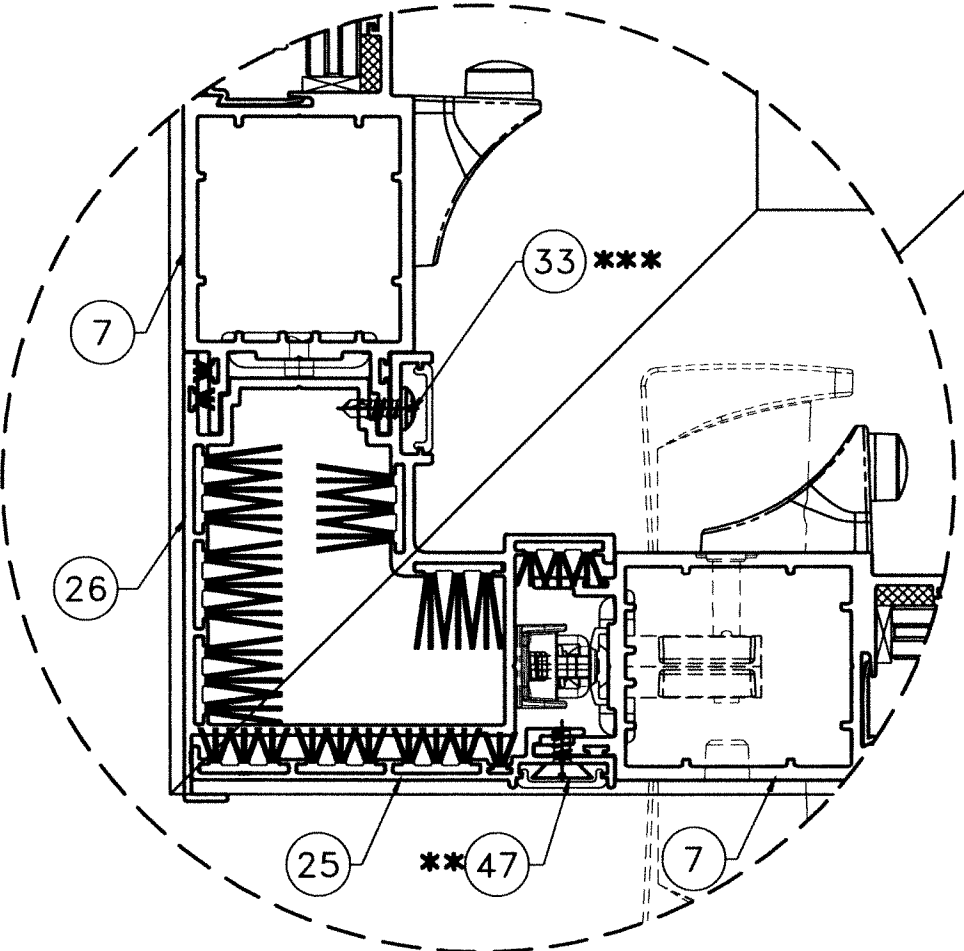
W.H. DRAWN BY:
08/11/2023 DATE
23-173 DRAWING No
SHEET 14 OF 26



** CORNER ACTIVE 90° 25 ASSEMBLY REQUIRES COMPONENT 47 AT TOP & BOTTOM 3" FROM EDGES AND AT 8" O.C.

*** CORNER INACTIVE 90° 26 ASSEMBLY REQUIRES COMPONENT 33 AT TOP & BOTTOM 3" FROM EDGES AND AT 8" O.C.

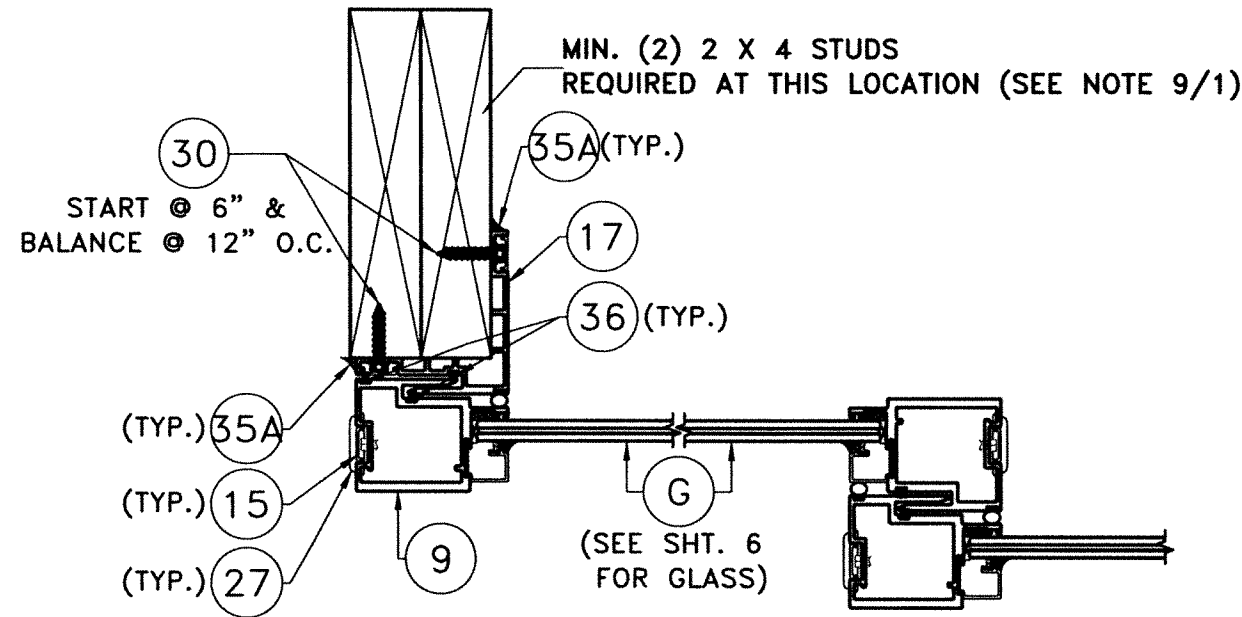
SEE SHT'S 7, 8 & 9 FOR ADJACENT DOOR LIMITATIONS.



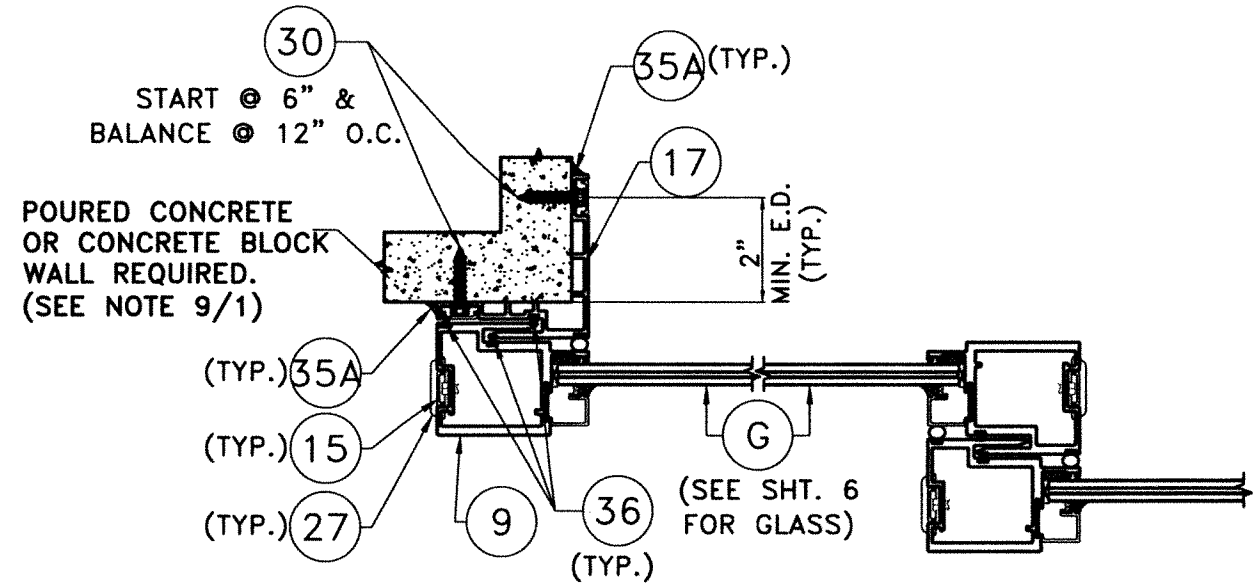
SECTION I-I
N.T.S.
(2, 3, 4, & 5 TRACK)

FLORIDA BUILDING CODE (High & Non High Velocity Hurricane Zone)

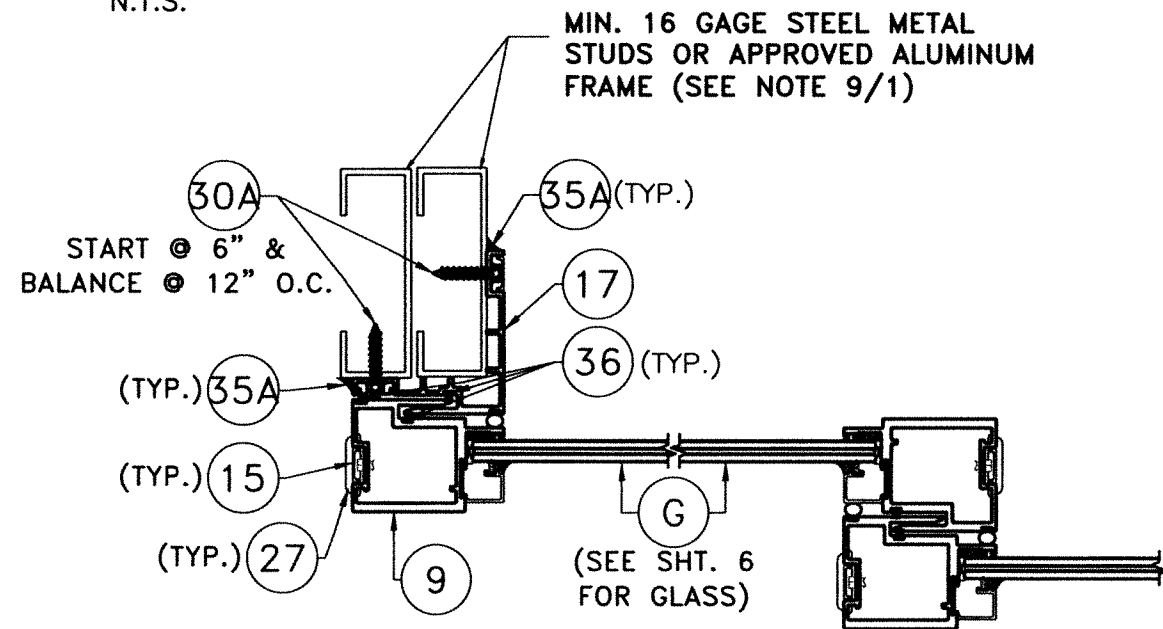
<p>P.E. SEAL/SIGNATURE/DATE</p>	<p>© 2023 TILTECO INC. TILTECO INC. TILLIT TESTING & ENGINEERING COMPANY 6355 N.W. 36th St., Ste. 305, VIRGINIA GARDENS, FL 33166 Phone: (305)871-1530 . Fax: (305)871-1531 e-mail: tilteco@aol.com CA-0006719 WALTER A. TILLIT Jr., P.E. FLORIDA Lic. 44167</p>	<p>SERIES 28000 HIGH IMPACT SLIDING GLASS DOOR / LARGE AND SMALL MISSILE</p> <p>290 WEST 78 ROAD HIALEAH, FL. 33014 PH: (954)226-5555/(305)558-8103 FAX: (305)558-6665 www.gigwindows.com</p>	<p>W.H. DRAWN BY:</p>												
			<p>08/11/2023 DATE</p>												
			<p>23-173 DRAWING No</p>												
<table border="1"> <thead> <tr> <th>REV. NO</th> <th>DESCRIPTION</th> <th>DATE</th> <th>REV. No</th> <th>DESCRIPTION</th> <th>DATE</th> </tr> </thead> <tbody> <tr> <td>1</td> <td>OLD 21-114</td> <td>08/11/23</td> <td>2</td> <td>-</td> <td>-</td> </tr> </tbody> </table>	REV. NO	DESCRIPTION	DATE	REV. No	DESCRIPTION	DATE	1	OLD 21-114	08/11/23	2	-	-			<p>SHEET 15 OF 26</p>
REV. NO	DESCRIPTION	DATE	REV. No	DESCRIPTION	DATE										
1	OLD 21-114	08/11/23	2	-	-										



WOOD SUBSTRATE
N.T.S.



**POURED CONCRETE OR
CONCRETE BLOCK SUBSTRATE**
N.T.S.



STEEL STUDS SUBSTRATE
N.T.S.

SECTIONS J-J
POCKET DOOR DETAIL W/ (17)
(2-5 TRACK DOORS)*

* VALID ONLY FOR MAX. A.S.D. PRESSURE RATING OF ± 55.0 psf, MAX. FRAME HEIGHT OF 120" & MAX. PANEL WIDTH OF 5'-0" O.C.

WALTER A. TILLIT JR.
LICENSE
P.E. SEAL/SIGNATURE/DATE
8/10/2023

© 2023 TILTECO INC.
TILTECO INC.
TILLIT TESTING & ENGINEERING COMPANY
6355 N.W. 36th St., Ste. 305, VIRGINIA GARDENS, FL 33166
Phone : (305)871-1530 . Fax : (305)871-1531
e-mail: tilteco@aol.com
CA-0006719
WALTER A. TILLIT Jr., P.E.
FLORIDA Lic. 44167

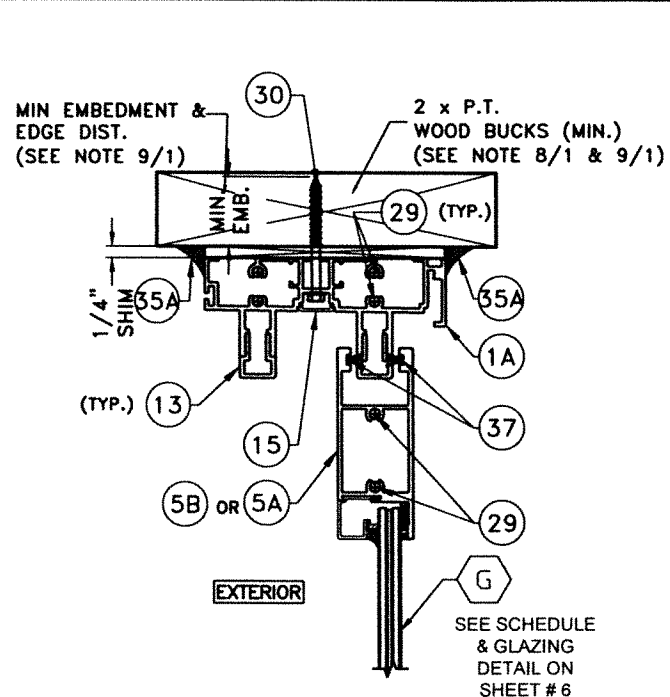
FLORIDA BUILDING CODE (High & Non High Velocity Hurricane Zone)

**SERIES 28000 HIGH IMPACT SLIDING
GLASS DOOR / LARGE AND SMALL MISSILE**

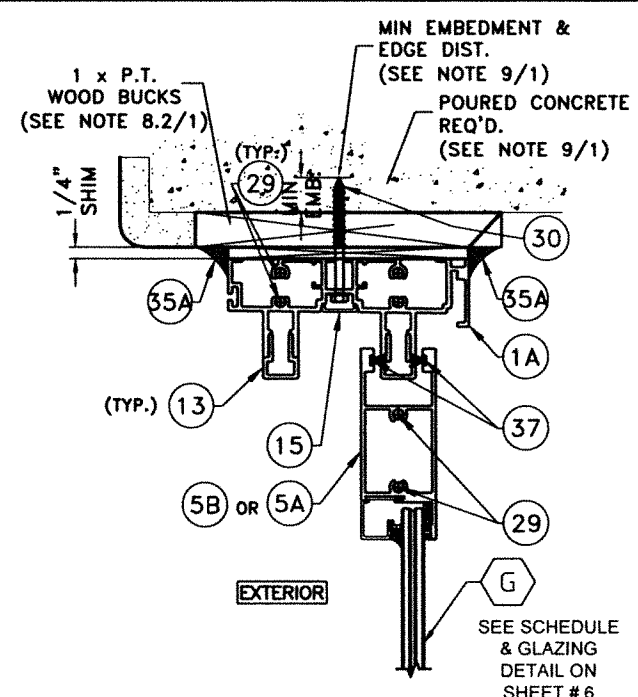
290 WEST 78 ROAD
HIALEAH, FL. 33014
PH: (954)226-5555/(305)558-8103
FAX: (305)558-6665
www.gigwindows.com

W.H
DRAWN BY:
08/11/2023
DATE
23-173
DRAWING No

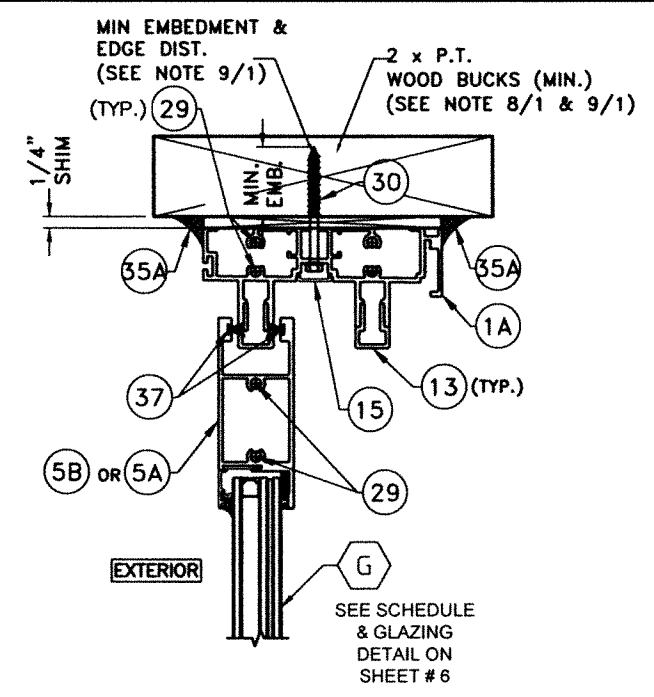
REV. NO	DESCRIPTION	DATE	REV. No	DESCRIPTION	DATE
1	OLD 21-114	08/11/23	2	-	-



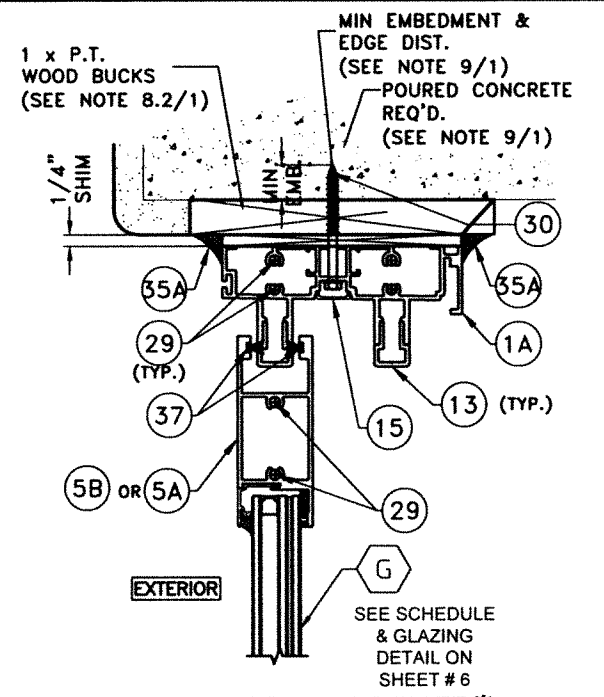
**WOOD SUBSTRATE *
(2 TRACK HEAD)**



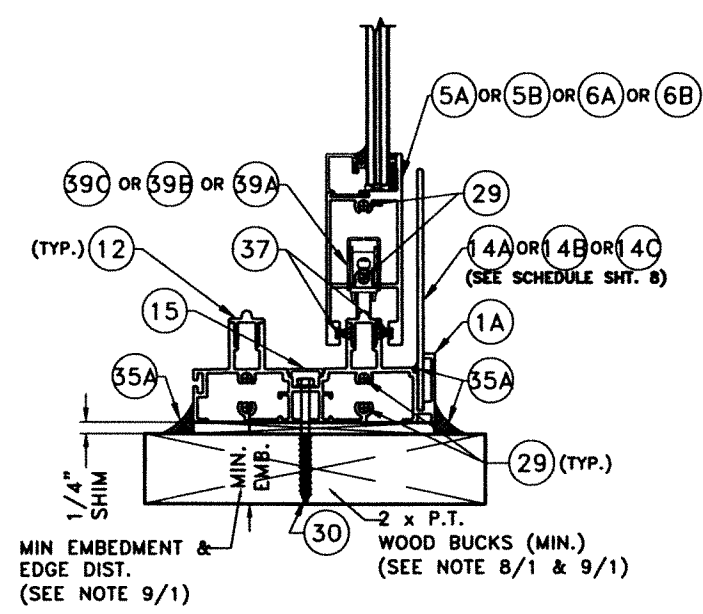
**CONCRETE SUBSTRATE *
(2 TRACK HEAD)**



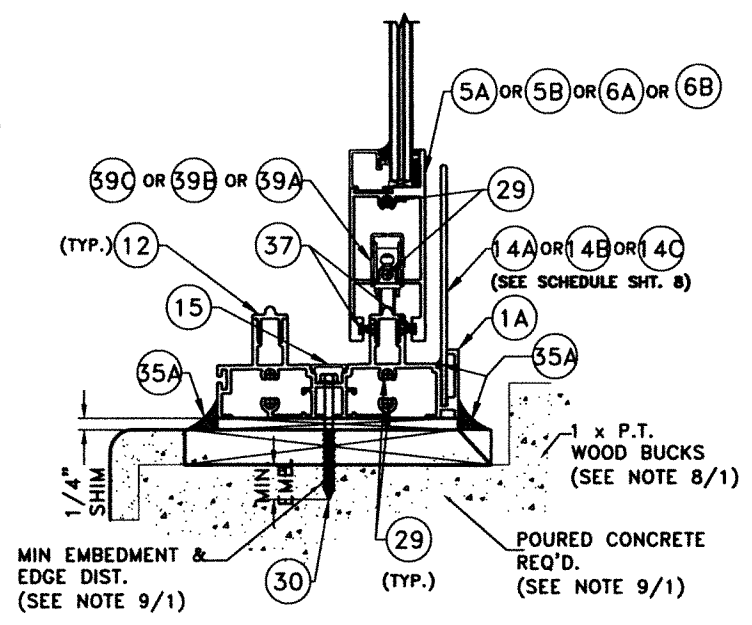
**WOOD SUBSTRATE *
(2 TRACK HEAD)**



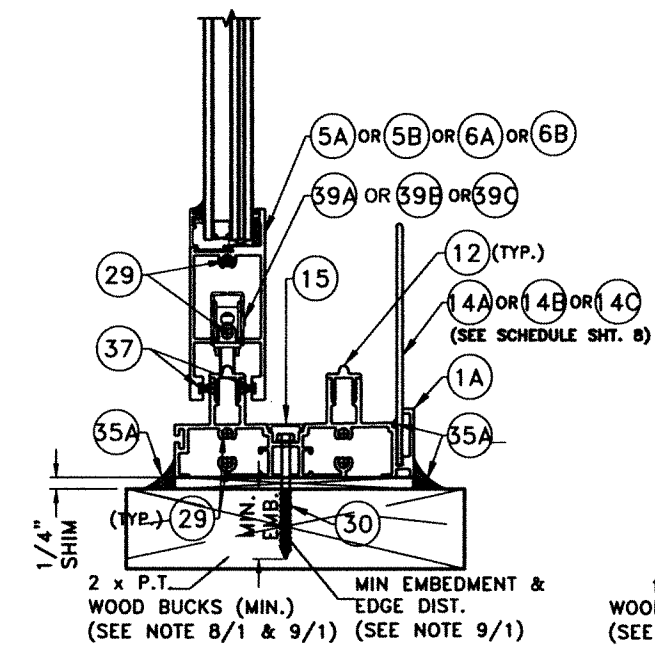
**CONCRETE SUBSTRATE *
(2 TRACK HEAD)**



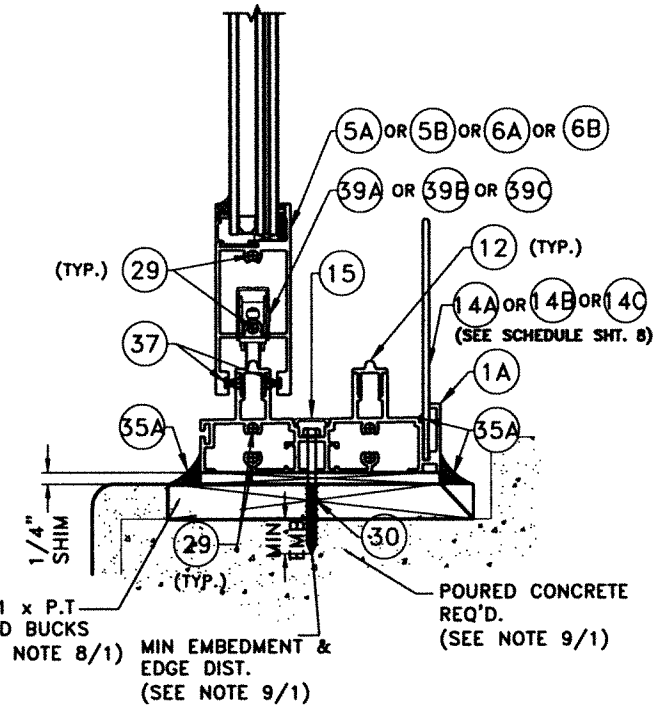
**WOOD SUBSTRATE
(2 TRACK SILL)**



**CONCRETE SUBSTRATE
(2 TRACK SILL)**



**WOOD SUBSTRATE
(2 TRACK SILL)**



**CONCRETE SUBSTRATE
(2 TRACK SILL)**

**SECTIONS A-A
W/LAMINATED GLASS
2 TRACK
N.T.S.**

**SECTIONS A-A
W/INSULATED GLASS
2 TRACK
N.T.S. FLORIDA BUILDING CODE (High & Non High Velocity Hurricane Zone)**

NOTE 1: FOR MAXIMUM FRAME, PANEL & DLO LIMITATIONS SEE SCHEDULE ON SHEET 8 & ANCHOR SPACING SEE SCHEDULE ON SHEET 24

NOTE 2: SUBSTRATE CAN BE COMBINED AS APPLICABLE

NOTE 3: GLASS TYPE CAN BE LAMINATED OR INSULATED SEE SCHEDULE FOR LIMITATIONS ON SHEET 6

*** SEE SHEET 20B FOR
HEADER CONNECTION W/METAL**

WALTER A. TILLIT JR.
LICENSE
No. 44167
STATE OF FLORIDA
REGISTERED PROFESSIONAL ENGINEER
8/11/2023
P.E. SEAL/SIGNATURE/DATE

© 2023 TILTECO INC.
TILTECO INC.
TILLIT TESTING & ENGINEERING COMPANY
6355 N.W. 38th. St., Ste. 305, VIRGINIA GARDENS, FL 33164
Phone: (305)871-1530 Fax: (305)871-1531
e-mail: tiltco@aol.com
CA-0006719
WALTER A. TILLIT Jr., P.E.
FLORIDA Lic. 44167

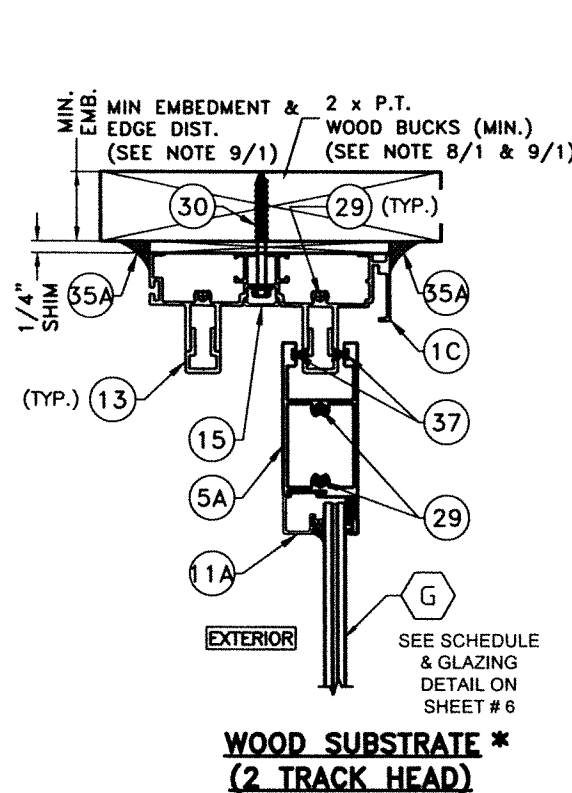
**SERIES 28000 HIGH IMPACT SLIDING
GLASS DOOR / LARGE AND SMALL MISSILE**

W.H. DRAWN BY:
08/11/2023
DATE
23-173
DRAWING No

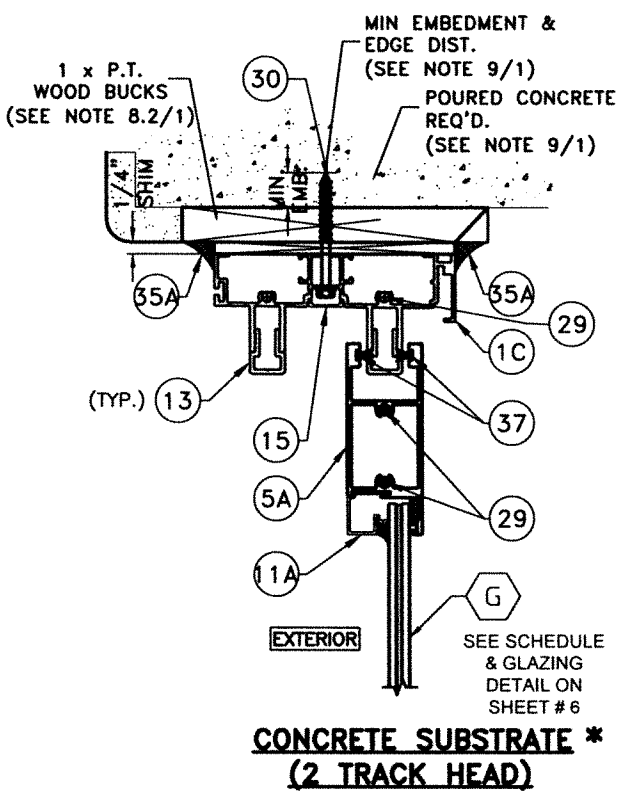
290 WEST 78 ROAD
HALEAH, FL 33014
PH: (954)226-5555/(305)558-8103
FAX: (305)558-6665
www.gigwindows.com

REV. NO	DESCRIPTION	DATE	REV. No	DESCRIPTION	DATE
1	OLD 21-114	08/11/23	2	-	-

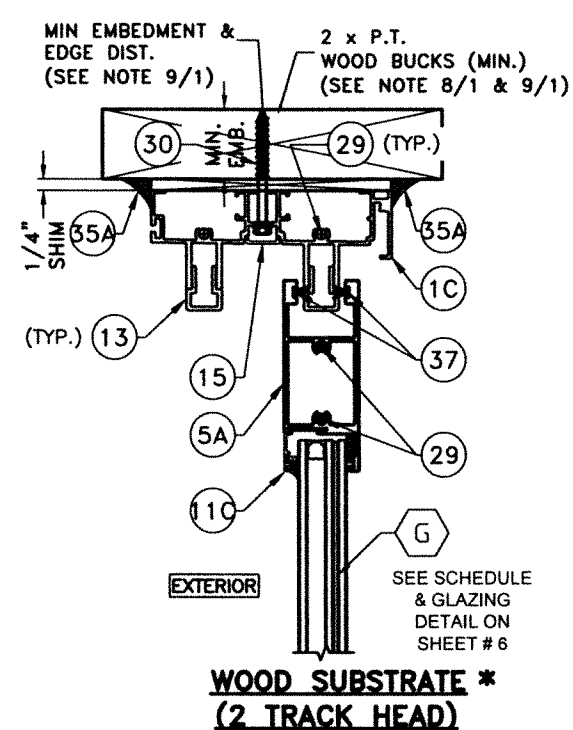
SHEET 17 OF 26



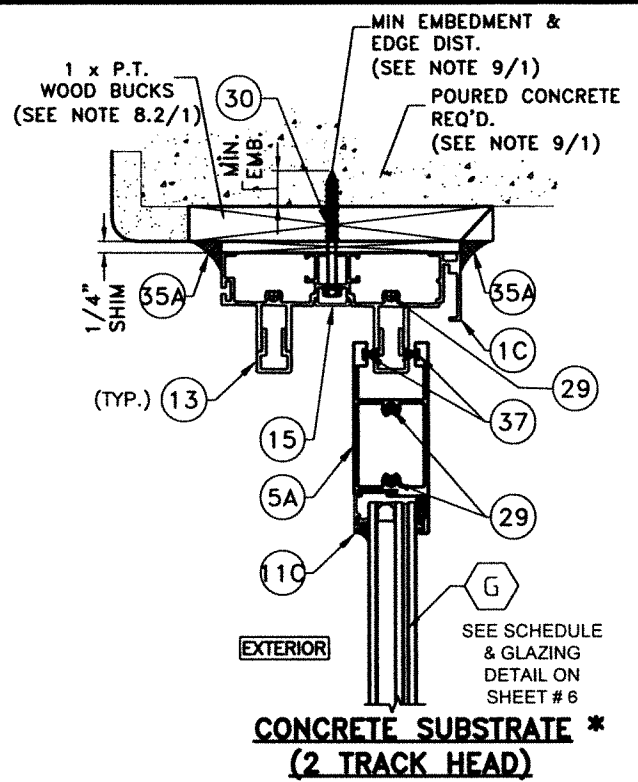
**WOOD SUBSTRATE *
(2 TRACK HEAD)**



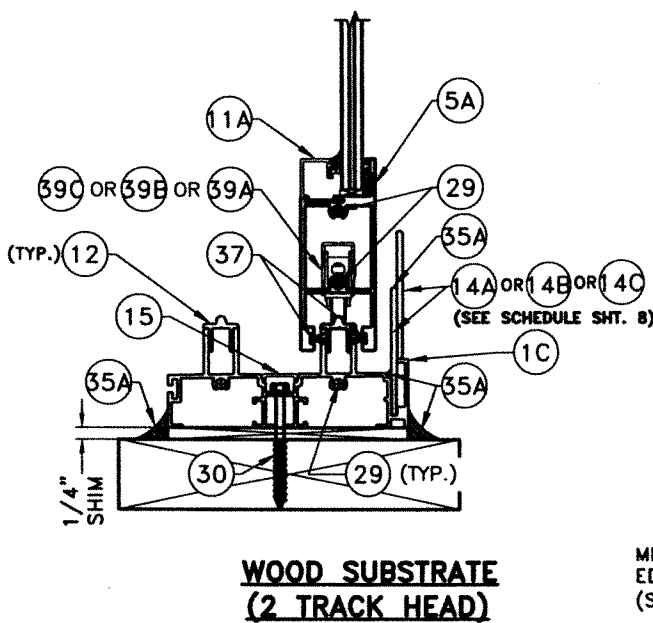
**CONCRETE SUBSTRATE *
(2 TRACK HEAD)**



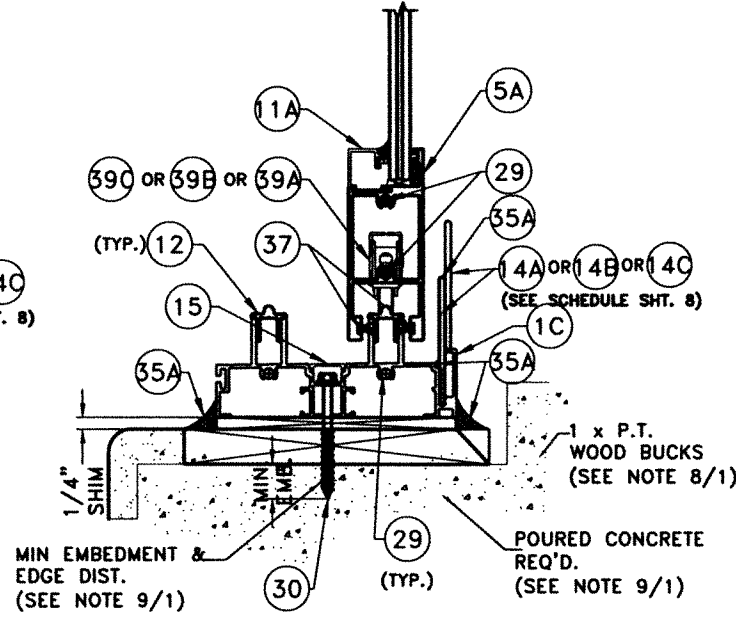
**WOOD SUBSTRATE *
(2 TRACK HEAD)**



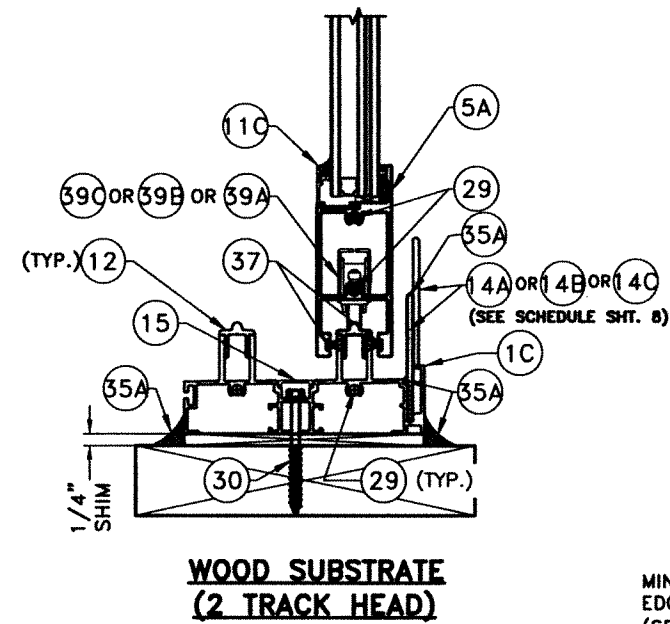
**CONCRETE SUBSTRATE *
(2 TRACK HEAD)**



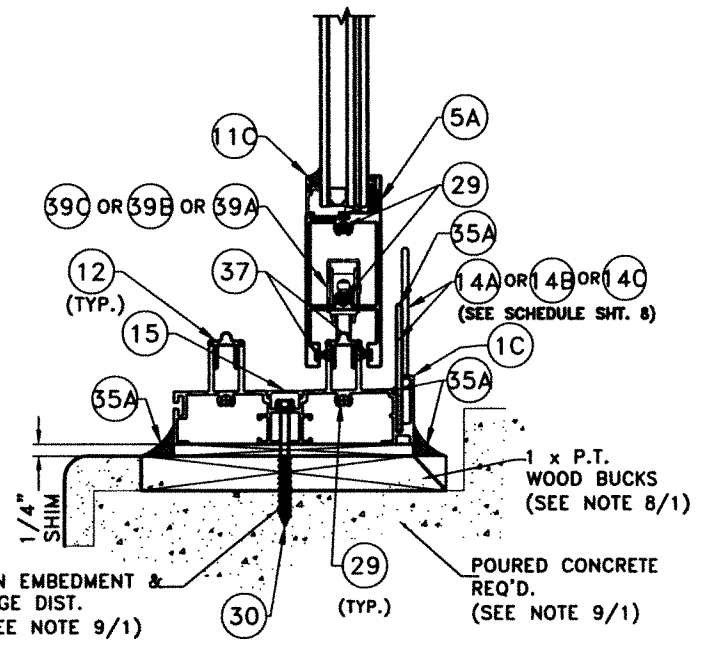
**WOOD SUBSTRATE
(2 TRACK SILL)**



**CONCRETE SUBSTRATE
(2 TRACK SILL)**



**WOOD SUBSTRATE
(2 TRACK HEAD)**



**CONCRETE SUBSTRATE
(2 TRACK SILL)**

**SECTIONS A'-A'
W/INSULATED GLASS
2 TRACK****

N.T.S.

NOTE 1: FOR MAXIMUM FRAME, PANEL & DLO LIMITATIONS SEE SCHEDULE ON SHEET 8 & ANCHOR SPACING SEE SCHEDULE ON SHEET 24

NOTE 2: SUBSTRATE CAN BE COMBINED AS APPLICABLE

NOTE 3: GLASS TYPE CAN BE LAMINATED OR INSULATED SEE SCHEDULE FOR LIMITATIONS ON SHEET 6

**SECTIONS A'-A'
W/LAMINATED GLASS
2 TRACK ****

N.T.S.

**** SEE Δ NOTE ON SHEET 9
FOR LIMITATIONS W/ (1C)**

*** SEE SHEET 20B FOR HEADER
CONNECTION W/ METAL**


8/11/2023
P.E. SEAL/SIGNATURE/DATE

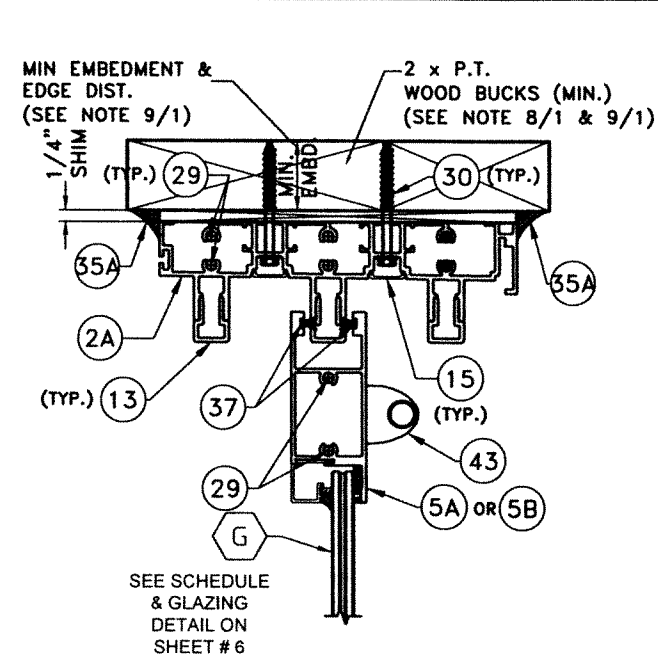
© 2023 TILTECO INC.

TILTECO INC.
TILLIT TESTING & ENGINEERING COMPANY

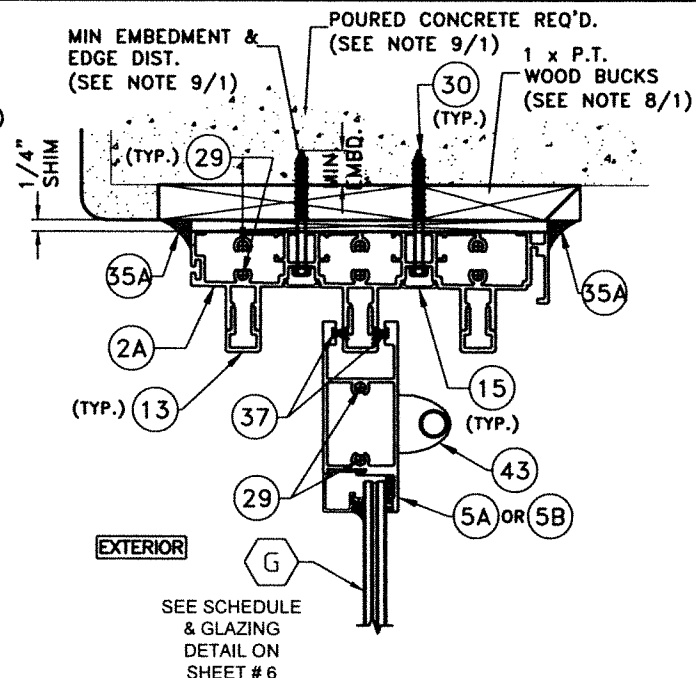
6355 N.W. 36th. St. Ste. 305, VIRGINIA GARDENS, FL 33166
Phone : (305)871-1530 . Fax : (305)871-1531
e-mail: tilteco@aol.com
CA-0006719
WALTER A. TILLIT Jr., P.E.
FLORIDA Lic. 44167

FLORIDA BUILDING CODE (High & Non High Velocity Hurricane Zone)

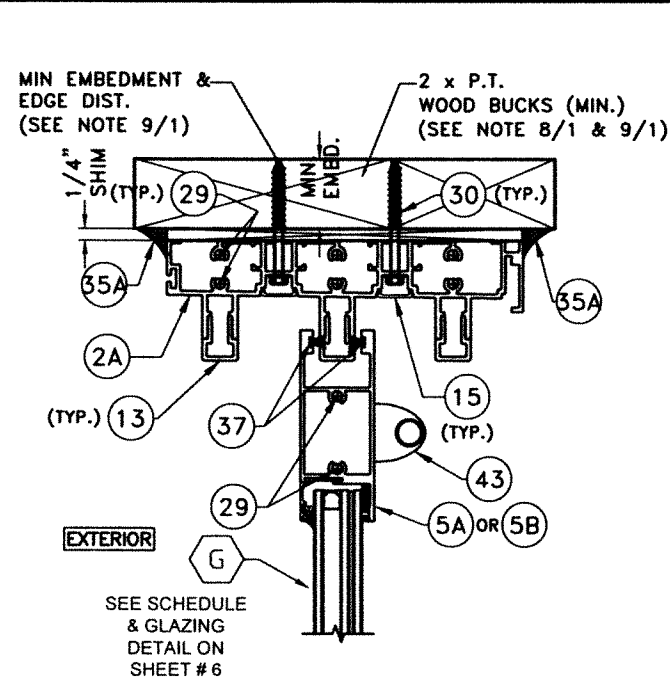
SERIES 28000 HIGH IMPACT SLIDING GLASS DOOR / LARGE AND SMALL MISSILE		W.H DRAWN BY:
 <p>290 WEST 78 ROAD HALEAH, FL. 33014 PH: (954)228-5555/(305)558-8103 FAX: (305)558-6665 www.gigwindows.com</p>		08/11/2023 DATE
		23-173 DRAWING No
REV. NO	DESCRIPTION	DATE
1	OLD 21-114	08/11/23
2	-	-
		SHEET 17A OF 26



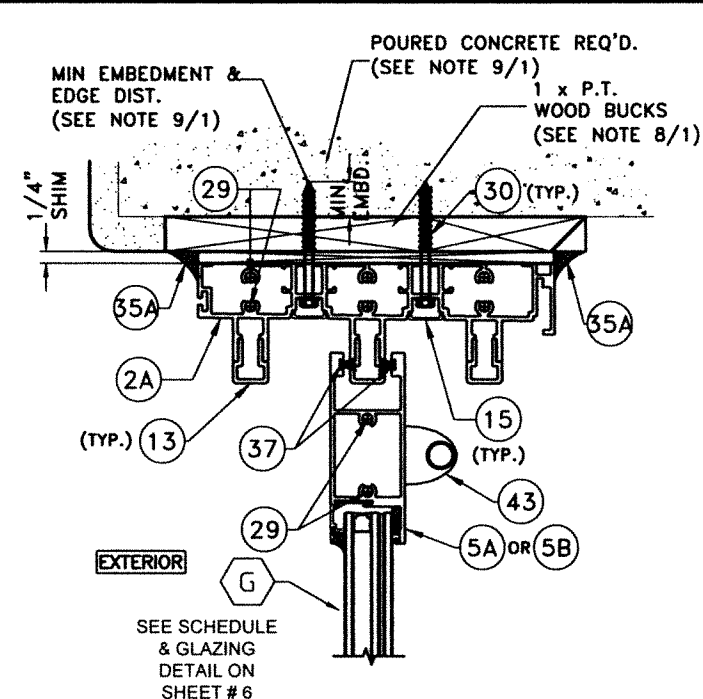
**WOOD SUBSTRATE*
(3 TRACK HEAD)**



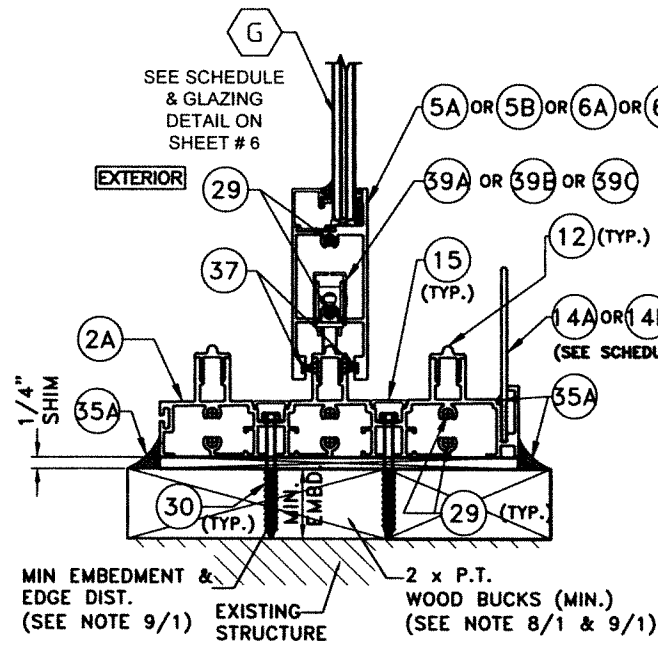
**CONCRETE SUBSTRATE*
(3 TRACK HEAD)**



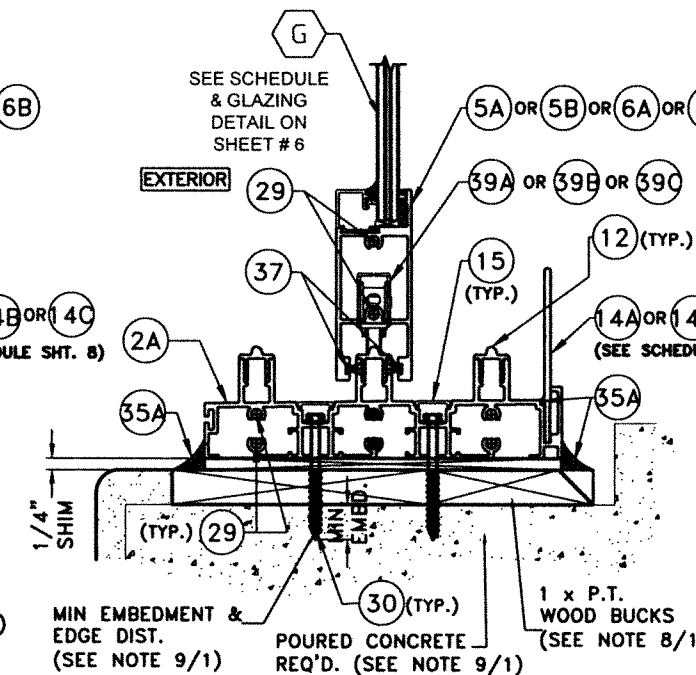
**WOOD SUBSTRATE*
(3 TRACK HEAD)**



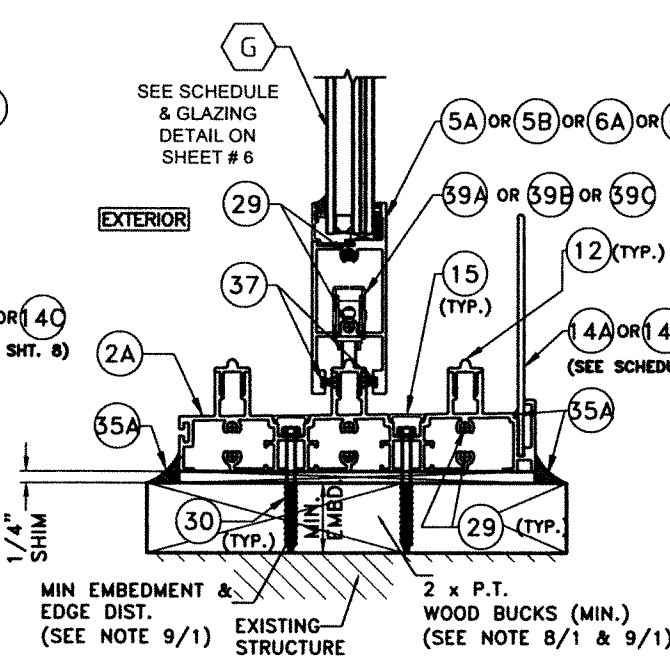
**CONCRETE SUBSTRATE*
(3 TRACK HEAD)**



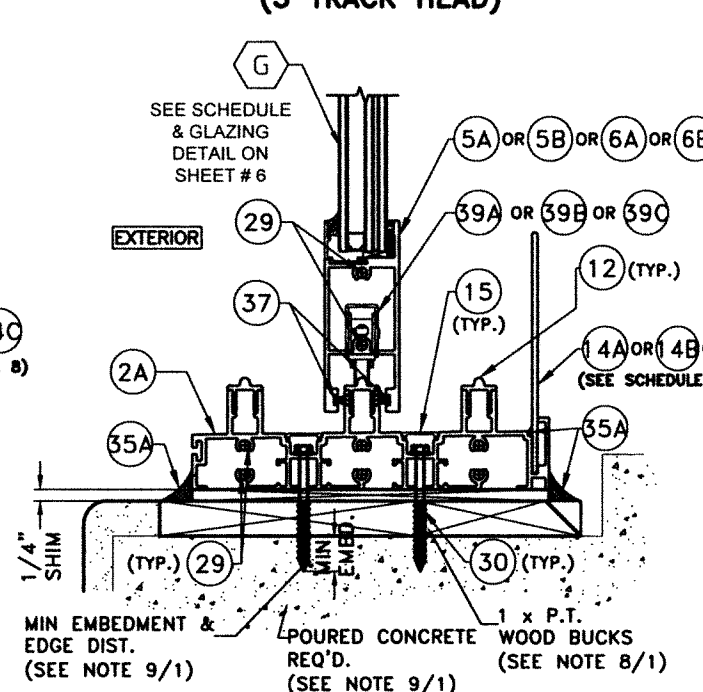
**WOOD SUBSTRATE
(3 TRACK SILL)**



**CONCRETE SUBSTRATE
(3 TRACK SILL)**



**WOOD SUBSTRATE
(3 TRACK SILL)**



**CONCRETE SUBSTRATE
(3 TRACK SILL)**

**SECTIONS B-B
W/LAMINATED GLASS
3 TRACK**

N.T.S.

**SECTIONS B-B
W/INSULATED GLASS
3 TRACK**

N.T.S.

NOTE 1: FOR MAXIMUM FRAME, PANEL & DLO LIMITATIONS SEE SCHEDULE ON SHEET 8 & ANCHOR SPACING SEE SCHEDULE ON SHEET 24

NOTE 2: SUBSTRATE CAN BE COMBINED AS APPLICABLE

NOTE 3: GLASS TYPE CAN BE LAMINATED OR INSULATED SEE SCHEDULE FOR LIMITATIONS ON SHEET 6

*** SEE SHEET 20B FOR
HEADER CONNECTION W/METAL**

WALTER A. TILLIT JR.
LICENSE
NO. 44167
STATE OF FLORIDA
P.E. SEAL/SIGNATURE/DATE
8/14/2023

© 2023 TILTECO INC.
TILTECO INC.
TILLIT TESTING & ENGINEERING COMPANY
6355 N.W. 36th St., Ste. 305, VIRGINIA GARDENS, FL 33166
Phone: (305)871-1530 Fax: (305)871-1531
e-mail: tilteco@aol.com
CA-0006719
WALTER A. TILLIT Jr., P.E.
FLORIDA Lic. 44167

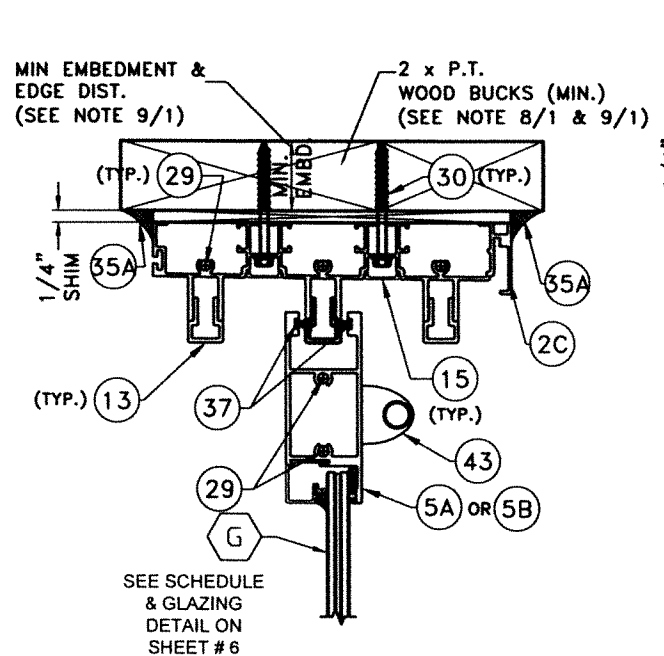
FLORIDA BUILDING CODE (High & Non High Velocity Hurricane Zone)

**SERIES 28000 HIGH IMPACT SLIDING
GLASS DOOR / LARGE AND SMALL MISSILE**

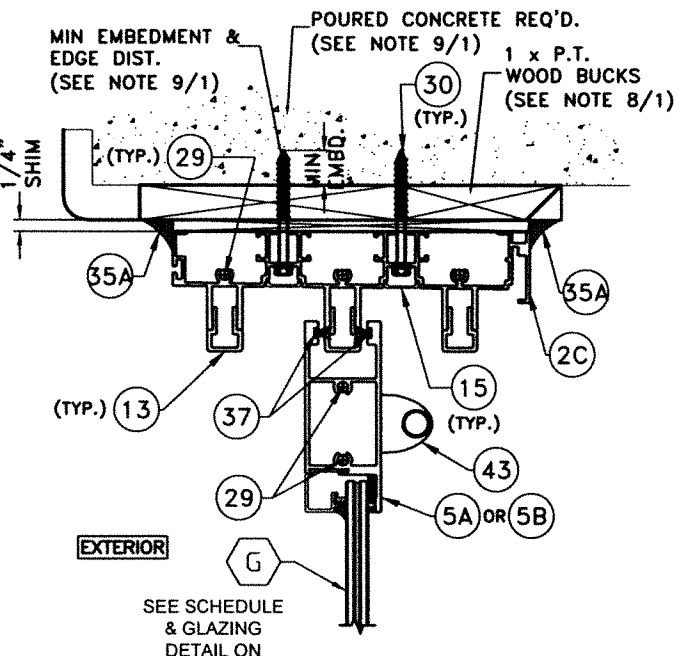
290 WEST 78 ROAD
HALEAH, FL 33014
PH: (854)226-5555/(305)558-8103
FAX: (305)558-6665
www.gigwindows.com

W.H
DRAWN BY:
08/11/2023
DATE
23-173
DRAWING No

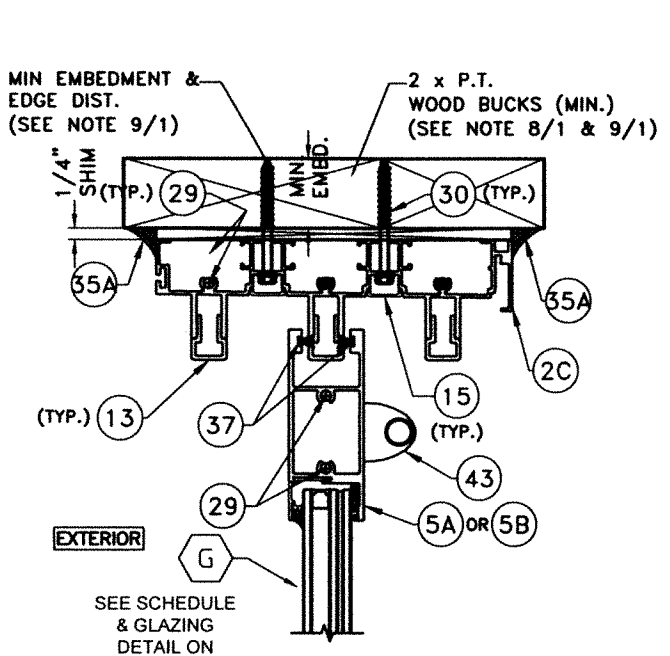
REV. NO	DESCRIPTION	DATE	REV. No	DESCRIPTION	DATE
1	OLD 21-114	06/11/23	2	-	-



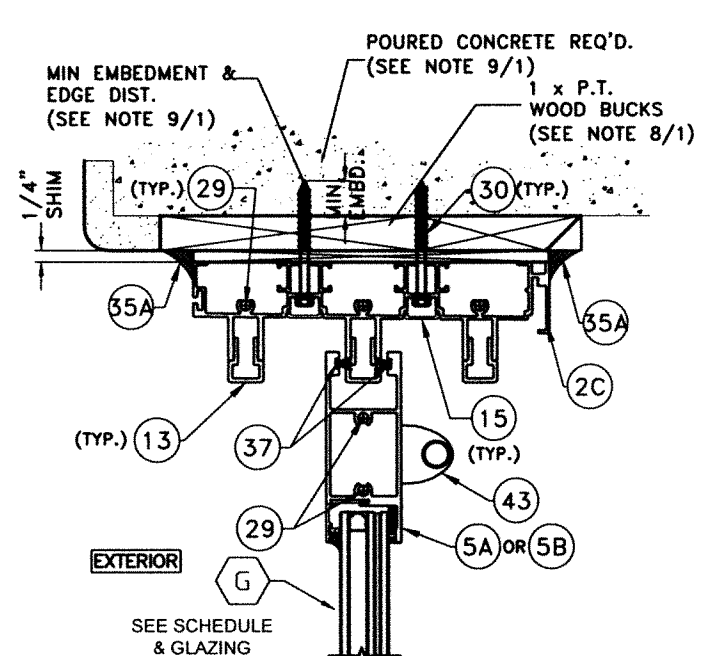
**WOOD SUBSTRATE *
(3 TRACK HEAD)**



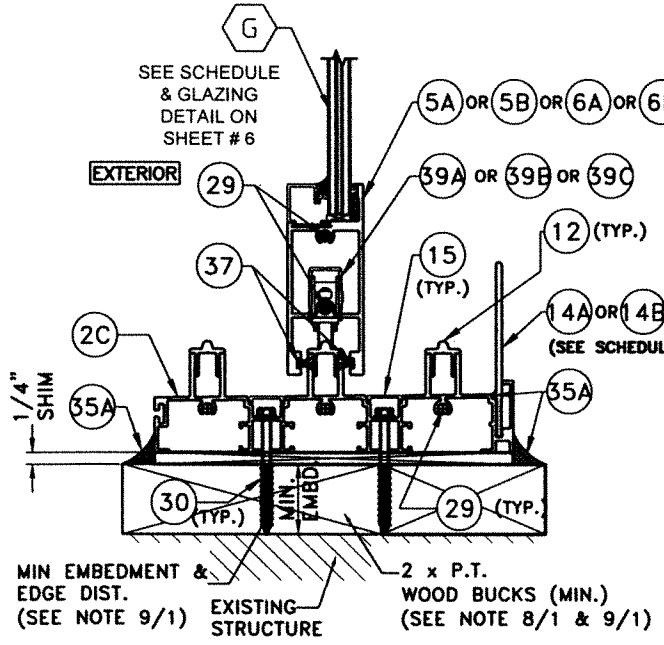
**CONCRETE SUBSTRATE *
(3 TRACK HEAD)**



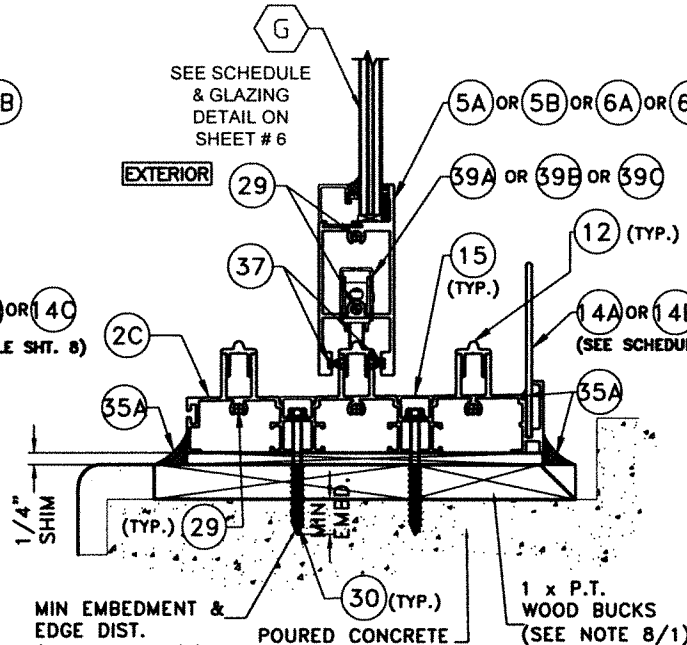
**WOOD SUBSTRATE *
(3 TRACK HEAD)**



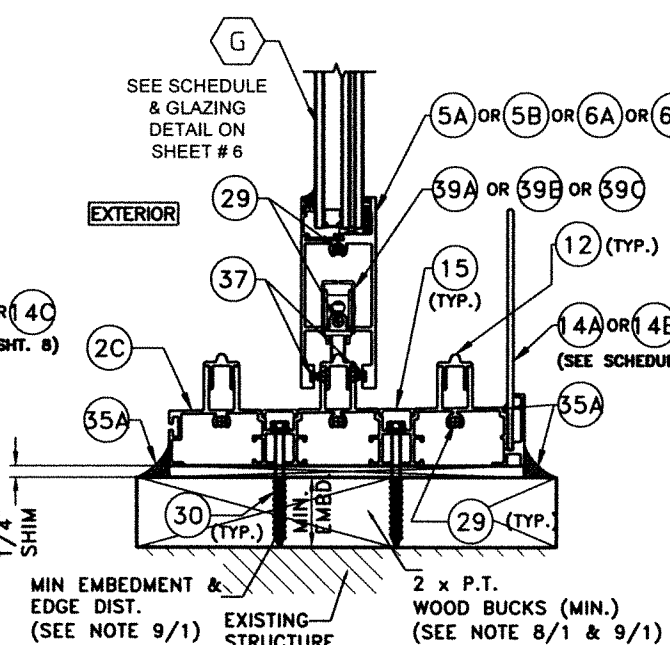
**CONCRETE SUBSTRATE *
(3 TRACK HEAD)**



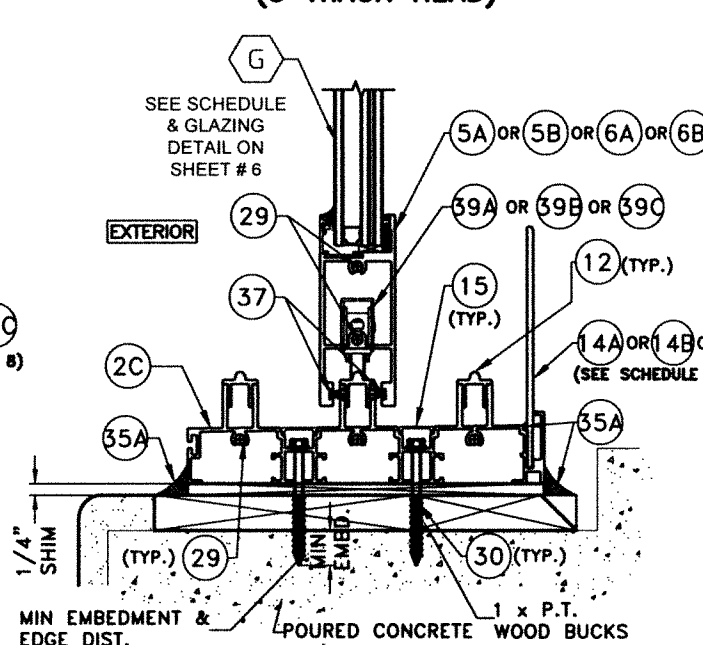
**WOOD SUBSTRATE
(3 TRACK SILL)**



**CONCRETE SUBSTRATE
(3 TRACK SILL)**



**WOOD SUBSTRATE
(3 TRACK SILL)**



**CONCRETE SUBSTRATE
(3 TRACK SILL)**

**SECTIONS B'-B'
W/LAMINATED GLASS
3 TRACK ****
N.T.S.

*** SEE SHEET 20B FOR HEADER CONNECTION W/ METAL**

**** SEE Δ NOTE ON SHEET 9 FOR LIMITATIONS W/ 2C**

**SECTIONS B'-B'
W/INSULATED GLASS
3 TRACK ****
N.T.S.

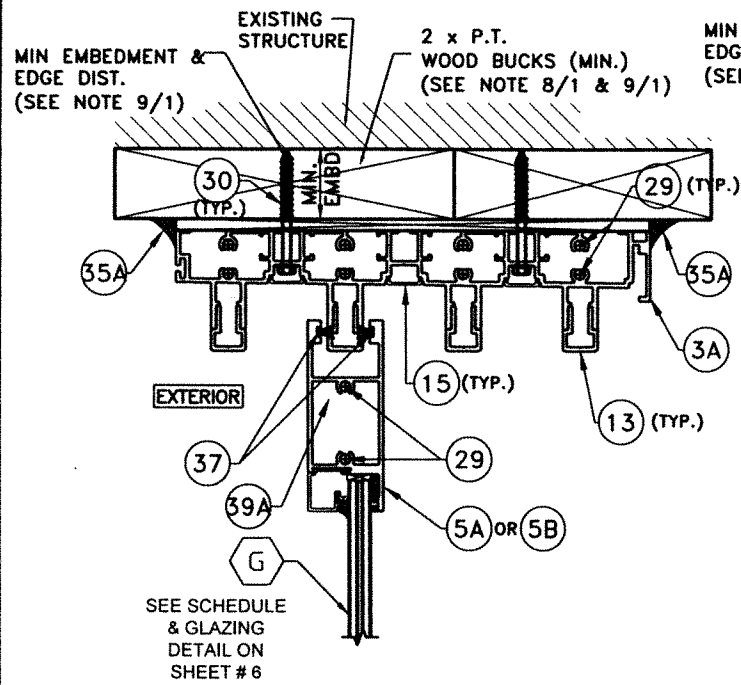
NOTE 1: FOR MAXIMUM FRAME, PANEL & DLO LIMITATIONS SEE SCHEDULE ON SHEET 8 & ANCHOR SPACING SEE SCHEDULE ON SHEET 24

NOTE 2: SUBSTRATE CAN BE COMBINED AS APPLICABLE

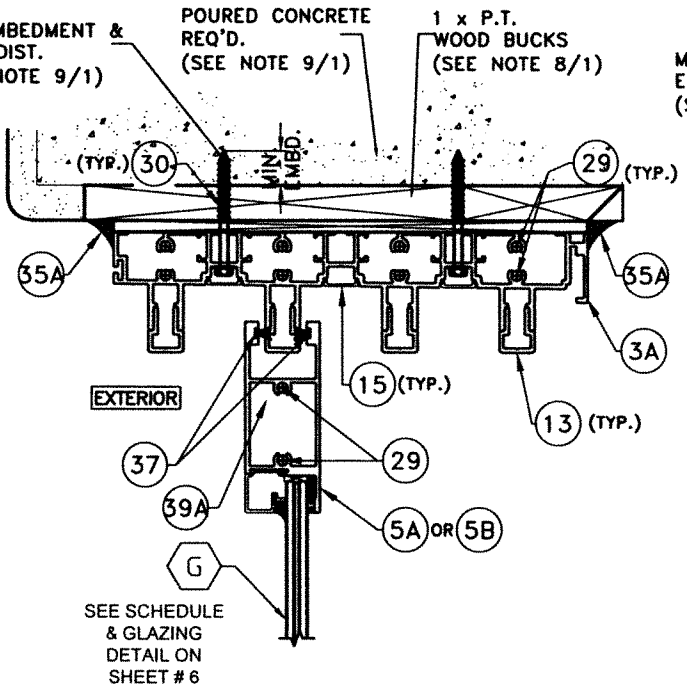
NOTE 3: GLASS TYPE CAN BE LAMINATED OR INSULATED SEE SCHEDULE FOR LIMITATIONS ON SHEET 6

FLORIDA BUILDING CODE (High & Non High Velocity Hurricane Zone)

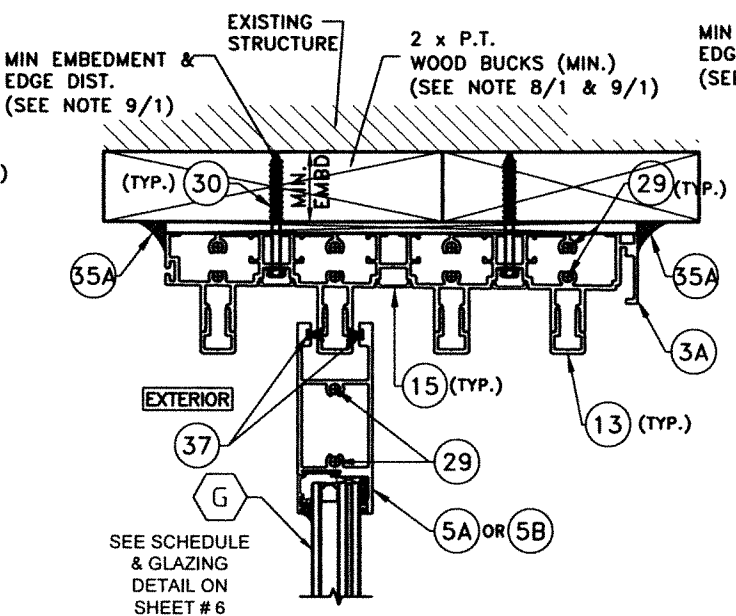
 P.E. SEAL/SIGNATURE/DATE	 TILTECO INC. TILLIT TESTING & ENGINEERING COMPANY 6355 N.W. 36th St., Ste. 305, VIRGINIA GARDENS, FL 33166 Phone: (305)871-1530 Fax: (305)871-1531 e-mail: tilteco@aol.com CA-0006719 WALTER A. TILLIT Jr., P.E. FLORIDA Lic. 44167	SERIES 28000 HIGH IMPACT SLIDING GLASS DOOR / LARGE AND SMALL MISSILE	W.H DRAWN BY:
		 290 WEST 78 ROAD HIALEAH, FL 33014 PH: (954)226-5555/(305)558-8103 FAX: (305)558-6665 www.gigwindows.com	08/11/2023 DATE
		REV. NO DESCRIPTION DATE REV. No DESCRIPTION DATE 1 OLD 21-114 08/11/23 2 - - -	23-173 DRAWING No
		SHEET 18A OF 26	



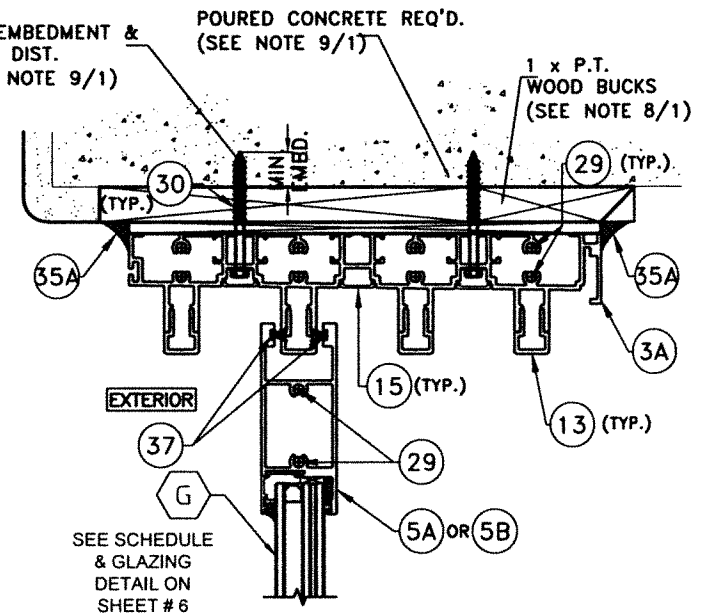
**WOOD SUBSTRATE *
(4 TRACK HEAD)**



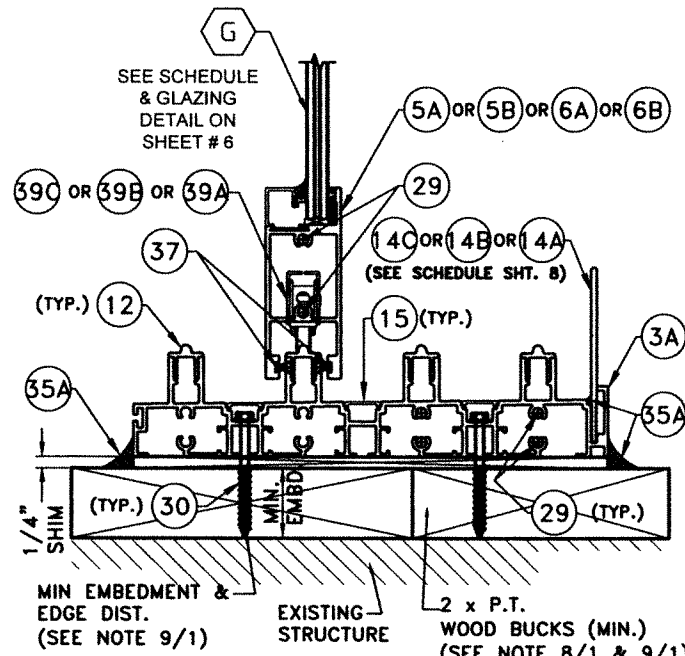
**CONCRETE SUBSTRATE *
(4 TRACK HEAD)**



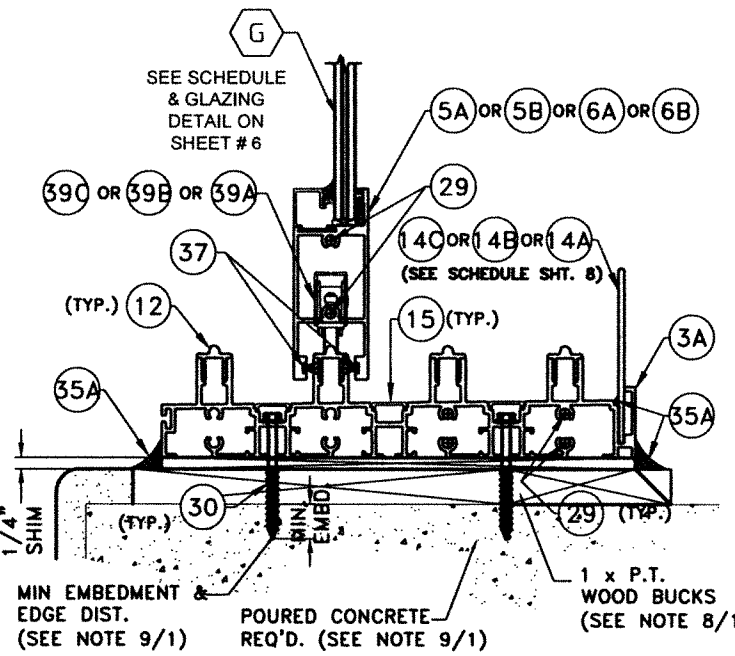
**WOOD SUBSTRATE *
(4 TRACK HEAD)**



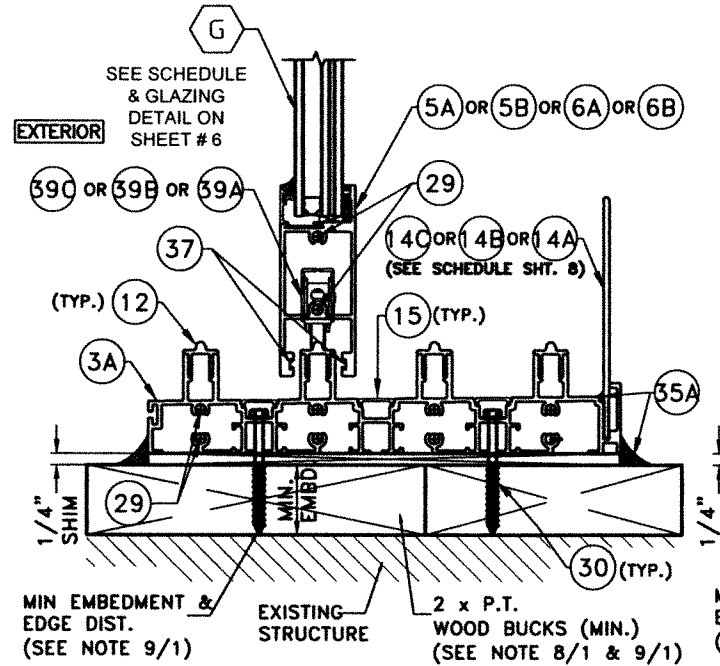
**CONCRETE SUBSTRATE *
(4 TRACK HEAD)**



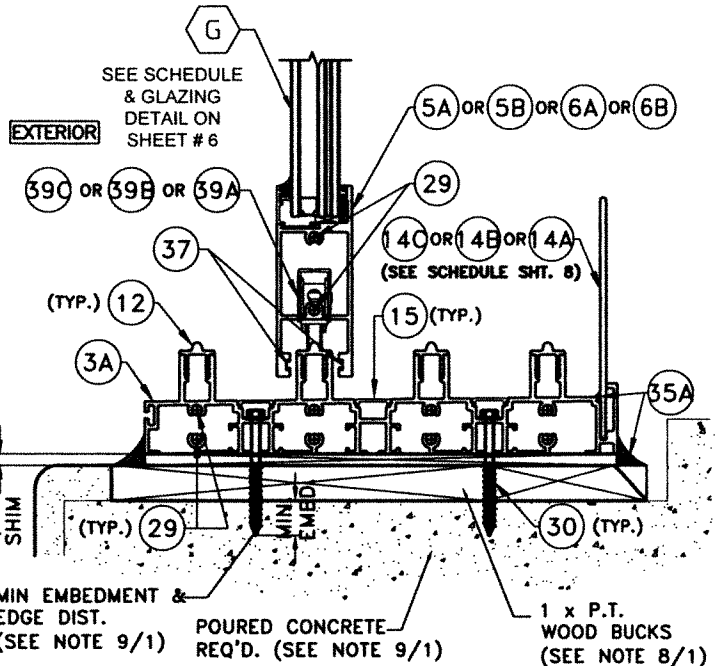
**WOOD SUBSTRATE
(4 TRACK SILL)**



**CONCRETE SUBSTRATE
(4 TRACK SILL)**



**WOOD SUBSTRATE
(4 TRACK SILL)**



**CONCRETE SUBSTRATE
(4 TRACK SILL)**

**SECTIONS C-C
W/INSULATED GLASS
4 TRACK**

N.T.S.
FLORIDA BUILDING CODE (High & Non High Velocity Hurricane Zone)

NOTE 1: FOR MAXIMUM FRAME, PANEL & DLO LIMITATIONS SEE SCHEDULE ON SHEET 8 & ANCHOR SPACING SEE SCHEDULE ON SHEET 24

NOTE 2: SUBSTRATE CAN BE COMBINED AS APPLICABLE

NOTE 3: GLASS TYPE CAN BE LAMINATED OR INSULATED SEE SCHEDULE FOR LIMITATIONS ON SHEET 6

**SECTIONS C-C
W/LAMINATED GLASS
4 TRACK**

N.T.S.

*** SEE SHEET 20B FOR
HEADER CONNECTION W/METAL**

WALTER A. TILLIT JR.
P.E. SEAL/SIGNATURE/DATE
8/11/2023

© 2023 TILTECO INC.

TILTECO INC.
TILLIT TESTING & ENGINEERING COMPANY
6355 N.W. 36th St., Ste. 305, VIRGINIA GARDENS, FL 33166
Phone: (305)871-1530 Fax: (305)871-1531
e-mail: tilteco@aol.com
CA-0006719
WALTER A. TILLIT Jr., P.E.
FLORIDA Lic. 44167

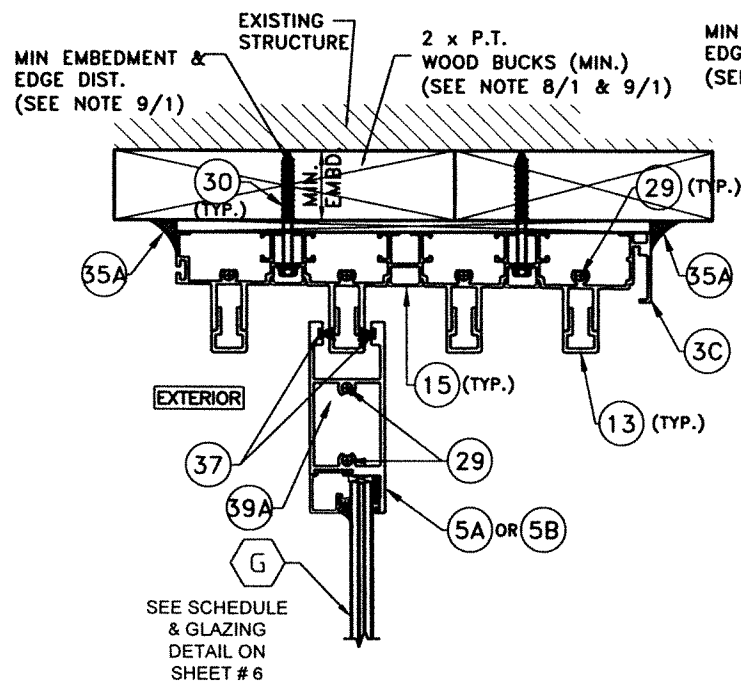
**SERIES 28000 HIGH IMPACT SLIDING
GLASS DOOR / LARGE AND SMALL MISSILE**

290 WEST 78 ROAD
HIALEAH, FL. 33014
PH: (954)226-5555/(305)558-8103
FAX: (305)558-6665
www.gigwindows.com

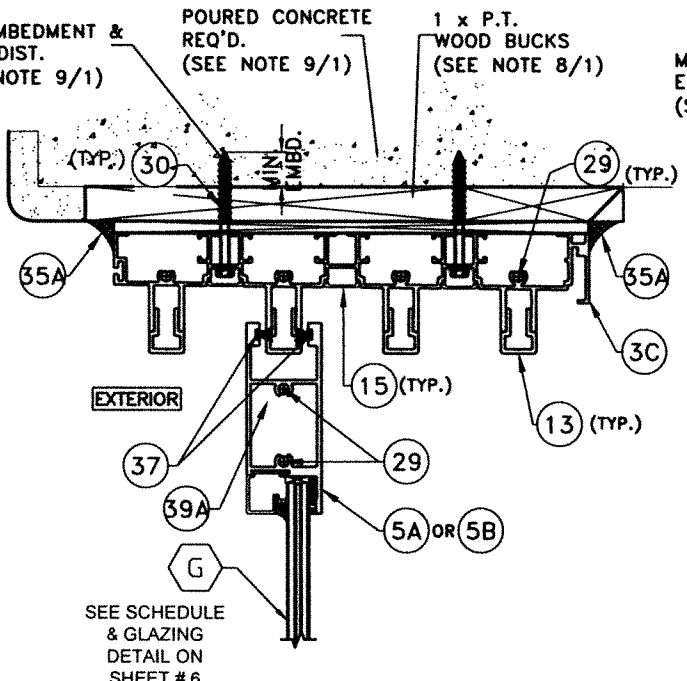
**GIG
WINDOWS & DOORS**

W.H DRAWN BY:	08/11/2023 DATE
23-173 DRAWING No	
SHEET 19 OF 26	

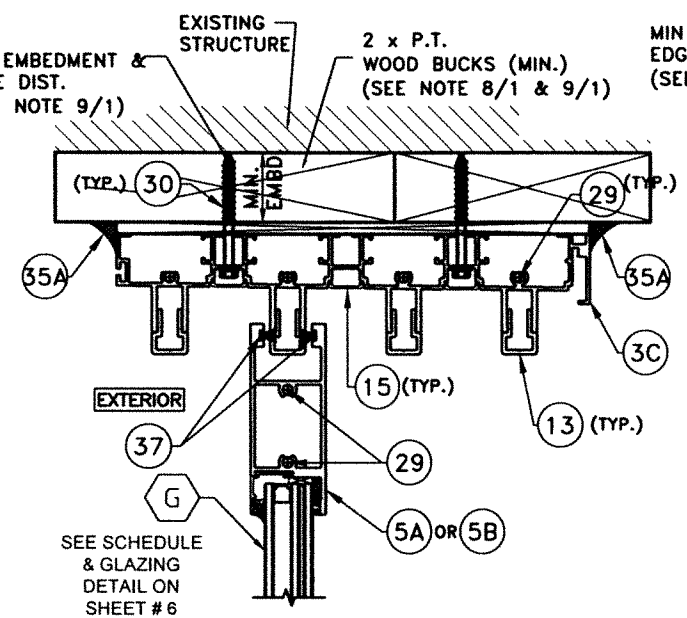
REV. NO	DESCRIPTION	DATE	REV. No	DESCRIPTION	DATE
1	OLD 21-114	08/11/23	2	-	-



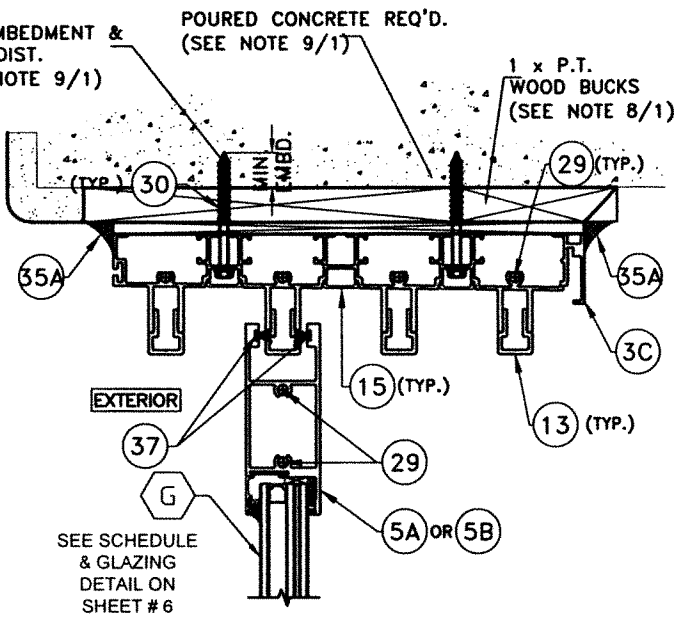
**WOOD SUBSTRATE *
(4 TRACK HEAD)**



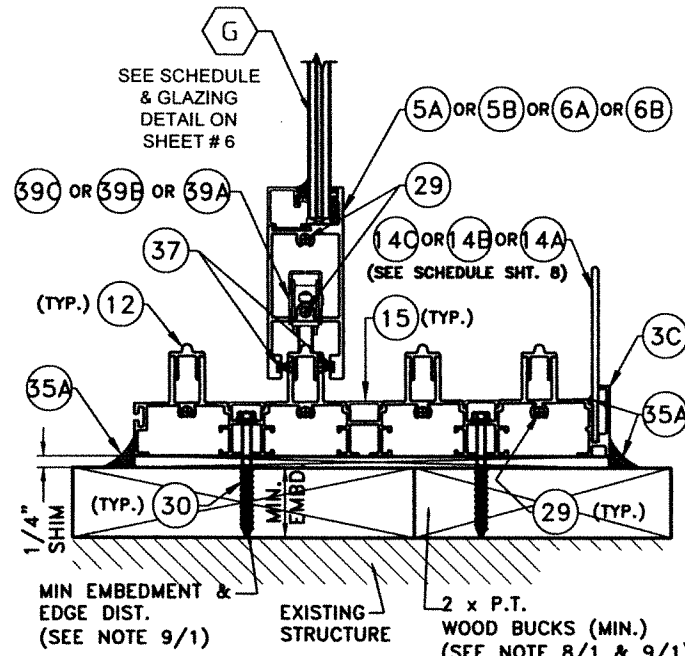
**CONCRETE SUBSTRATE *
(4 TRACK HEAD)**



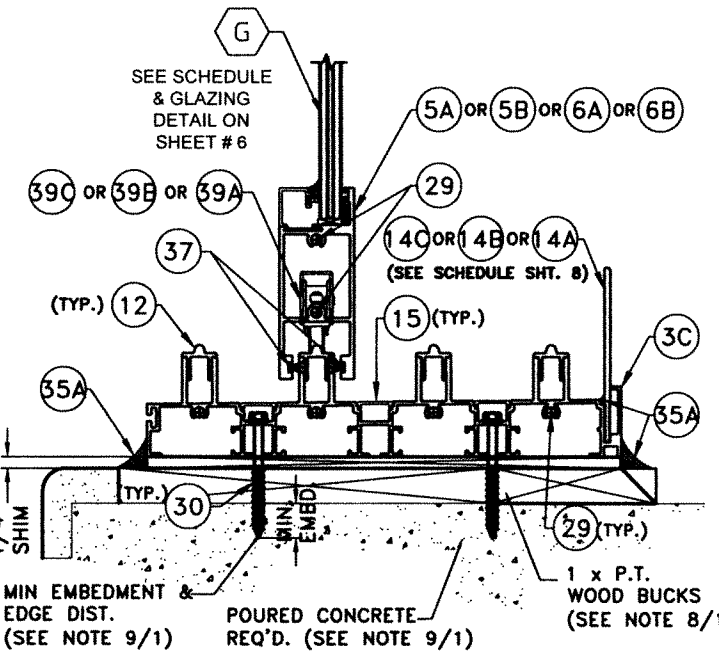
**WOOD SUBSTRATE *
(4 TRACK HEAD)**



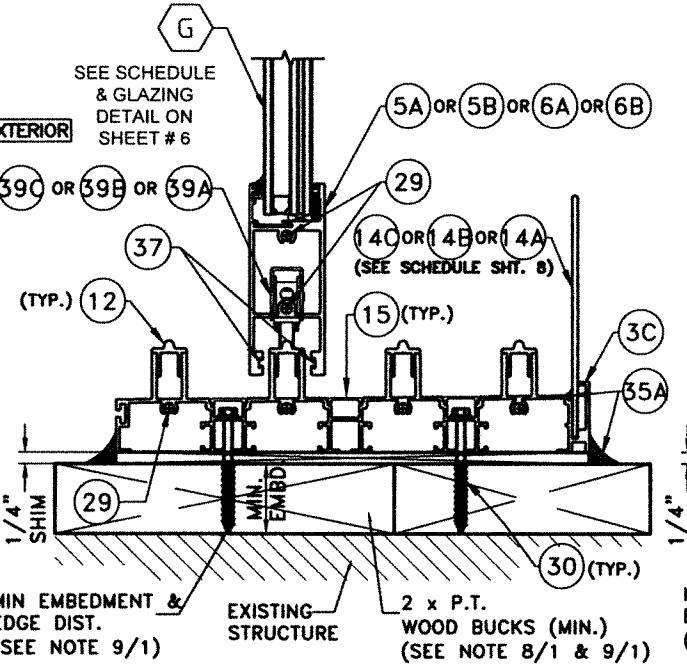
**CONCRETE SUBSTRATE *
(4 TRACK HEAD)**



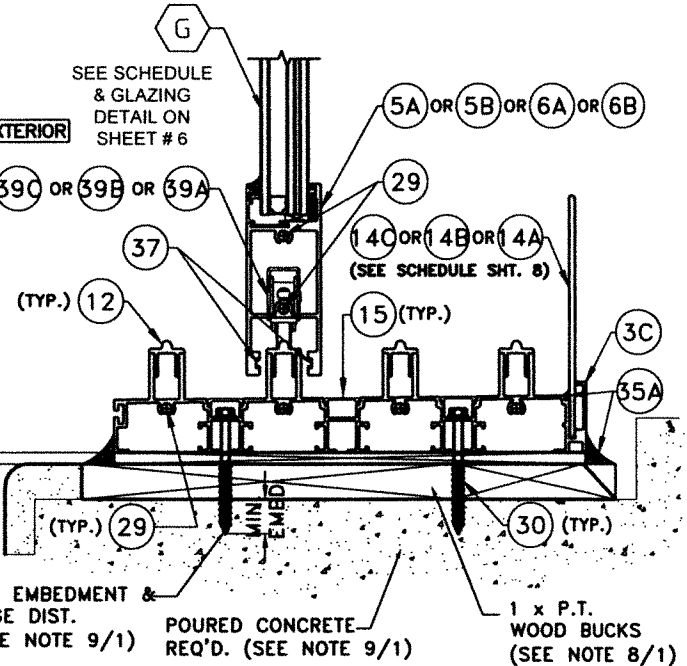
**WOOD SUBSTRATE
(4 TRACK SILL)**



**CONCRETE SUBSTRATE
(4 TRACK SILL)**



**WOOD SUBSTRATE
(4 TRACK SILL)**



**CONCRETE SUBSTRATE
(4 TRACK SILL)**

**SECTIONS C'-C'
W/INSULATED GLASS
4 TRACK****

N.T.S. FLORIDA BUILDING CODE (High & Non High Velocity Hurricane Zone)

NOTE 1: FOR MAXIMUM FRAME, PANEL & DLO LIMITATIONS SEE SCHEDULE ON SHEET 8 & ANCHOR SPACING SEE SCHEDULE ON SHEET 24

NOTE 2: SUBSTRATE CAN BE COMBINED AS APPLICABLE

NOTE 3: GLASS TYPE CAN BE LAMINATED OR INSULATED SEE SCHEDULE FOR LIMITATIONS ON SHEET 6

**SECTIONS C'-C'
W/LAMINATED GLASS
4 TRACK****

** SEE Δ NOTE ON SHEET 9 FOR LIMITATIONS W/ 3C

* SEE SHEET 20B FOR HEADER CONNECTION W/ METAL

STATE OF FLORIDA
Professional Engineer
No. 44107
8/11/2023
P.E. SEAL/SIGNATURE/DATE

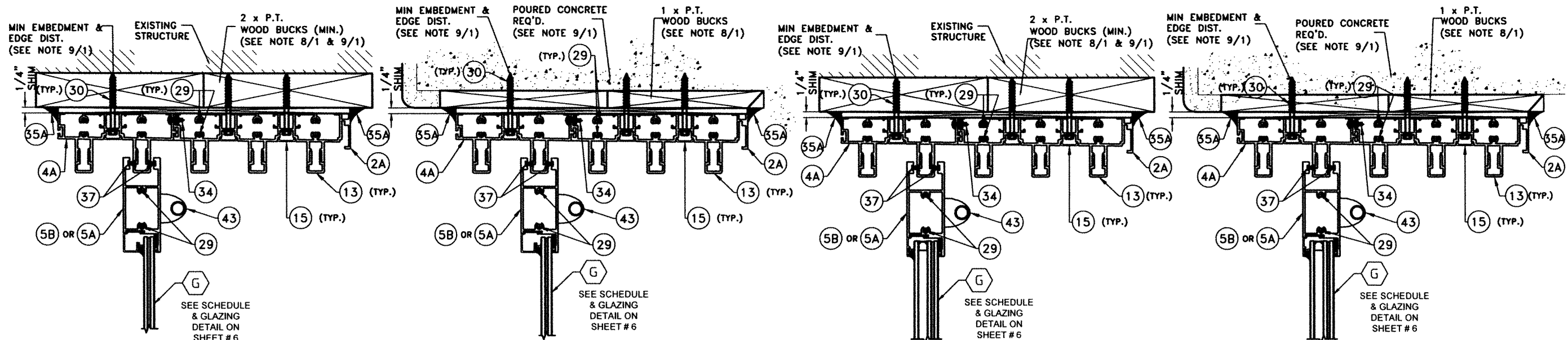
© 2023 TILTECO INC.

TILTECO INC.

TILLIT TESTING & ENGINEERING COMPANY

6355 N.W. 36th. St. Ste. 305, VIRGINIA GARDENS, FL 33166
Phone : (305)871-1530 . Fax : (305)871-1531
e-mail: tilteco@aol.com
CA-0006719
WALTER A. TILLIT Jr., P.E.
FLORIDA Lic. 44167

SERIES 26000 HIGH IMPACT SLIDING GLASS DOOR / LARGE AND SMALL MISSILE		W.H. DRAWN BY:	
		08/11/2023 DATE	
		23-173 DRAWING No	
REV. NO	DESCRIPTION	DATE	REV. No
1	OLD 21-114	08/11/23	2

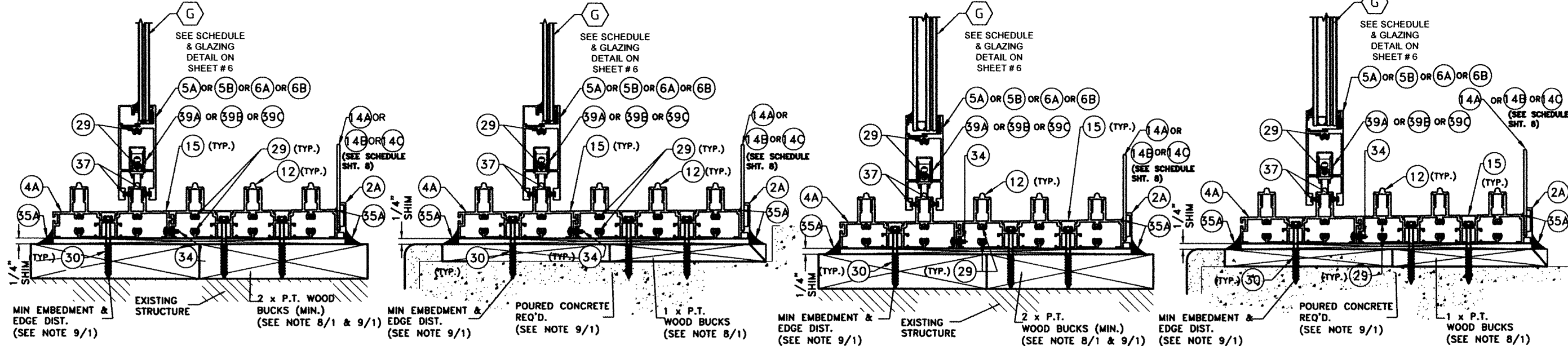


**WOOD SUBSTRATE *
(5 TRACK HEAD)**

**CONCRETE SUBSTRATE *
(5 TRACK HEAD)**

**WOOD SUBSTRATE *
(5 TRACK HEAD)**

**CONCRETE SUBSTRATE *
(5 TRACK HEAD)**



**WOOD SUBSTRATE
(5 TRACK SILL)**

**CONCRETE SUBSTRATE
(5 TRACK SILL)**

**WOOD SUBSTRATE
(5 TRACK SILL)**

**CONCRETE SUBSTRATE
(5 TRACK SILL)**

**SECTIONS D-D
W/LAMINATED GLASS
(5 TRACK)**
N.T.S.

**SECTIONS D-D
W/INSULATED GLASS
(5 TRACK)**
N.T.S.

NOTE 1: FOR MAXIMUM FRAME, PANEL & DLO LIMITATIONS SEE SCHEDULE ON SHEET 8 & ANCHOR SPACING SEE SCHEDULE ON SHEET 24

NOTE 2: SUBSTRATE CAN BE COMBINED AS APPLICABLE

NOTE 3: GLASS TYPE CAN BE LAMINATED OR INSULATED SEE SCHEDULE FOR LIMITATIONS ON SHEET 6

*** SEE SHEET 20B FOR
HEADER CONNECTION W/METAL**

WALTER A. TILLIT JR.
LICENSE
NO. 44167
8/14/2023
P.E. SEAL/SIGNATURE/DATE

© 2023 TILTECO INC.
TILTECO INC.
TILLIT TESTING & ENGINEERING COMPANY
6355 N.W. 36th St., Ste. 305, VIRGINIA GARDENS, FL 33166
Phone : (305)871-1530 Fax : (305)871-1531
e-mail: tilteco@aol.com
CA-0006719
WALTER A. TILLIT JR., P.E.
FLORIDA Lic. 44167

FLORIDA BUILDING CODE (High & Non High Velocity Hurricane Zone)

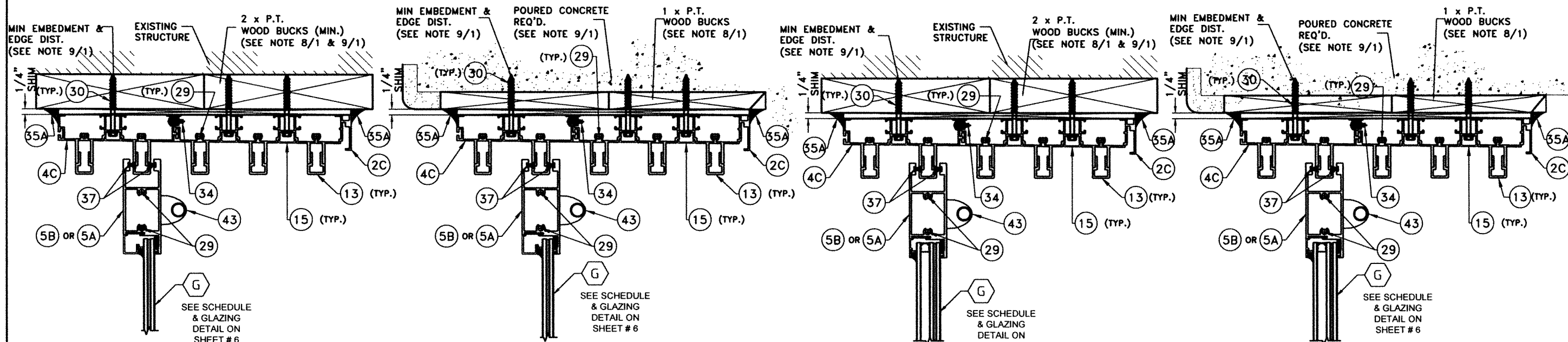
**SERIES 26000 HIGH IMPACT SLIDING
GLASS DOOR / LARGE AND SMALL MISSILE**

290 WEST 78 ROAD
HALEAH, FL 33014
PH: (954)226-5555/(305)558-8103
FAX: (305)558-8665
www.gigwindows.com

W.H
DRAWN BY:
08/11/2023
DATE
23-173
DRAWING No

REV. NO	DESCRIPTION	DATE	REV. No	DESCRIPTION	DATE
1	OLD 21-114	08/11/23	2	-	-

SHEET 20 OF 26

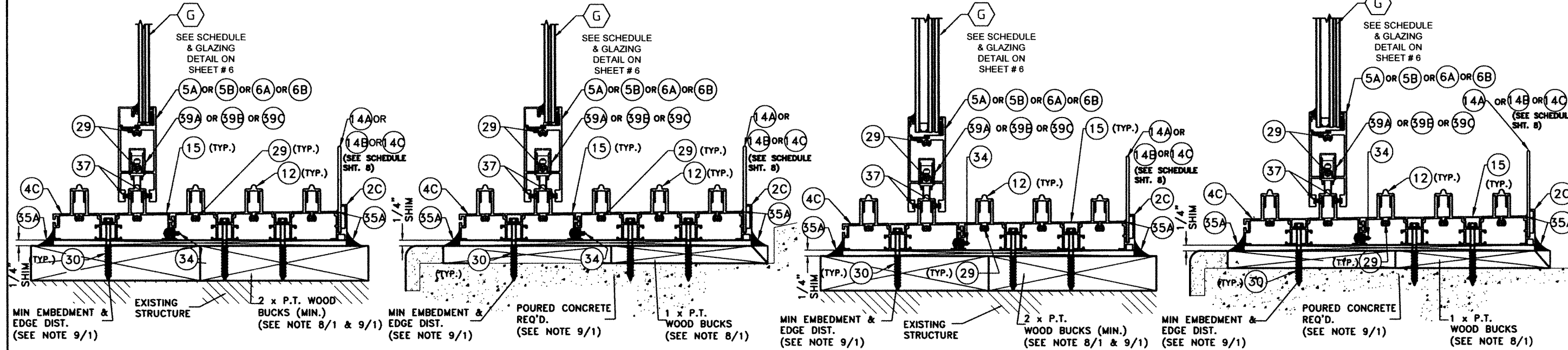


**WOOD SUBSTRATE *
(5 TRACK HEAD)**

**CONCRETE SUBSTRATE *
(5 TRACK HEAD)**

**WOOD SUBSTRATE *
(5 TRACK HEAD)**

**CONCRETE SUBSTRATE *
(5 TRACK HEAD)**



**WOOD SUBSTRATE
(5 TRACK SILL)**

**CONCRETE SUBSTRATE
(5 TRACK SILL)**

**WOOD SUBSTRATE
(5 TRACK SILL)**

**CONCRETE SUBSTRATE
(5 TRACK SILL)**

**SECTIONS D'-D'
W/LAMINATED GLASS
(5 TRACK)**
N.T.S.**

**SECTIONS D'-D'
W/INSULATED GLASS
(5 TRACK)**
N.T.S.**

NOTE 1: FOR MAXIMUM FRAME, PANEL & DLO LIMITATIONS SEE SCHEDULE ON SHEET 8 & ANCHOR SPACING SEE SCHEDULE ON SHEET 24

NOTE 2: SUBSTRATE CAN BE COMBINED AS APPLICABLE

NOTE 3: GLASS TYPE CAN BE LAMINATED OR INSULATED SEE SCHEDULE FOR LIMITATIONS ON SHEET 6

**** SEE Δ NOTE ON SHEET 9 FOR LIMITATIONS W/ (4C) + (2C)**

*** SEE SHEET 20B FOR HEADER CONNECTION W/ METAL**

P.E. SEAL/SIGNATURE/DATE

WALTER A. TILLIT JR.

8/14/2023

© 2023 TILTECO INC.

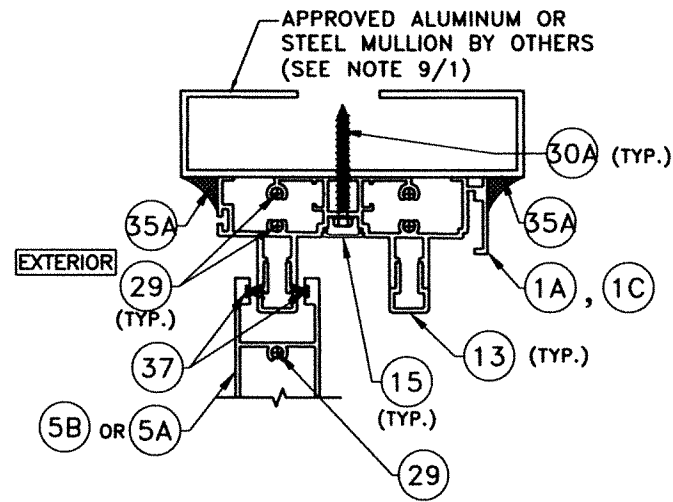
TILTECO INC.

TILLIT TESTING & ENGINEERING COMPANY

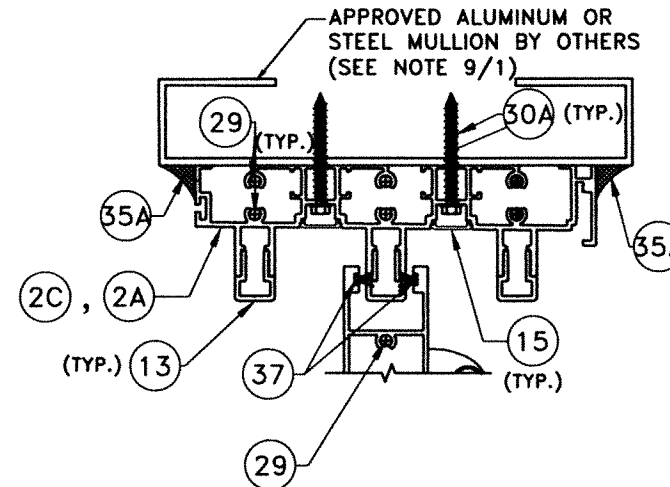
6355 N.W. 36th St., Ste. 305, VIRGINIA GARDENS, FL 33166
 Phone : (305)871-1530 Fax : (305)871-1531
 e-mail: tilteco@aol.com
 CA-0006719
 WALTER A. TILLIT JR., P.E.
 FLORIDA Lic. 44167

FLORIDA BUILDING CODE (High & Non High Velocity Hurricane Zone)

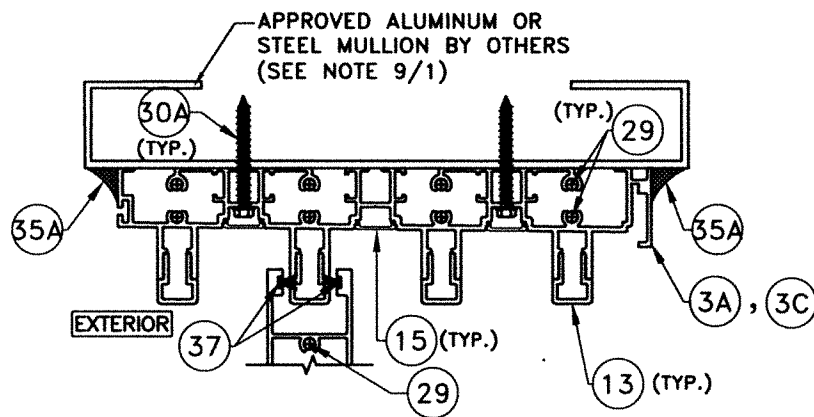
SERIES 26000 HIGH IMPACT SLIDING GLASS DOOR / LARGE AND SMALL MISSILE		W.H. DRAWN BY:
<p>290 WEST 78 ROAD HALEAH, FL. 33014 PH: (954)226-5555/(305)558-8103 FAX: (305)558-6665 www.gigwindows.com</p>		08/11/2023 DATE
		23-173 DRAWING No
REV. NO	DESCRIPTION	DATE
1	OLD 21-114	08/11/23
2		
SHEET 20A OF 26		



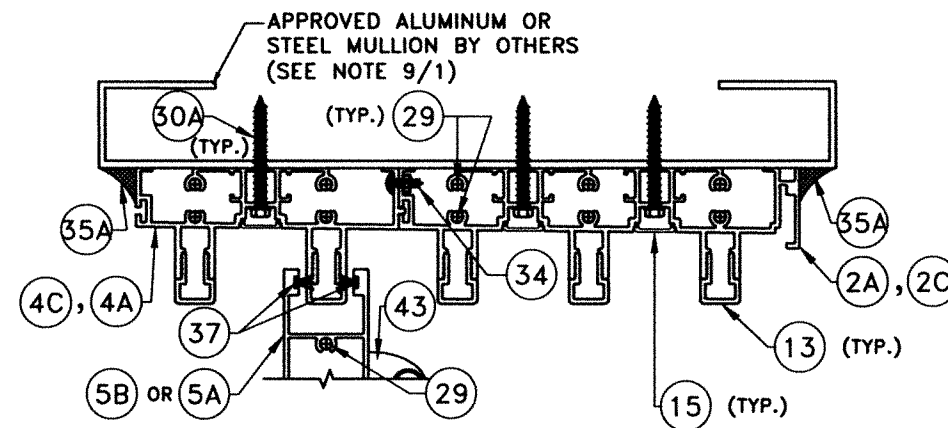
**ALUMINUM & STEEL
SUBSTRATE
(2 TRACK HEAD)**



**ALUMINUM & STEEL
SUBSTRATE
(3 TRACK HEAD)**



**ALUMINUM & STEEL
SUBSTRATE
(4 TRACK HEAD)**



**ALUMINUM & STEEL
SUBSTRATE
(5 TRACK HEAD)**

**SECTIONS A, A', B, B', C, C', D, D' AT HEADER
W/LAMINATED OR INSULATED GLASS
2, 3, 4 & 5 TRACK
TO METAL SUBSTRATE**

WALTER A. TILLIT JR.
P.E. SEAL/SIGNATURE/DATE
8/10/2023

© 2023 TILTECO INC.
TILTECO INC.
TILLIT TESTING & ENGINEERING COMPANY
6355 N.W. 36th St., Ste. 305, VIRGINIA GARDENS, FL 33166
Phone: (305)871-1530 Fax: (305)871-1531
e-mail: tilteco@aol.com
CA-0006719
WALTER A. TILLIT Jr., P.E.
FLORIDA Lic. 44167

FLORIDA BUILDING CODE (High & Non High Velocity Hurricane Zone)

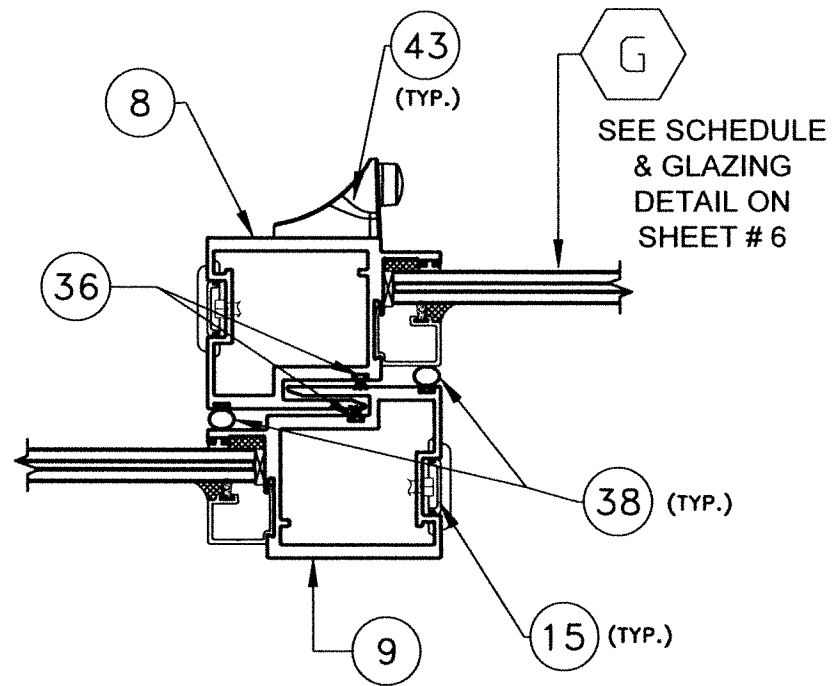
**SERIES 28000 HIGH IMPACT SLIDING
GLASS DOOR / LARGE AND SMALL MISSILE**

290 WEST 78 ROAD
HIALEAH, FL 33014
PH: (954)226-5555/(305)558-8103
FAX: (305)558-6665
www.gigwindows.com

W.H
DRAWN BY:
08/11/2023
DATE
23-173
DRAWING No

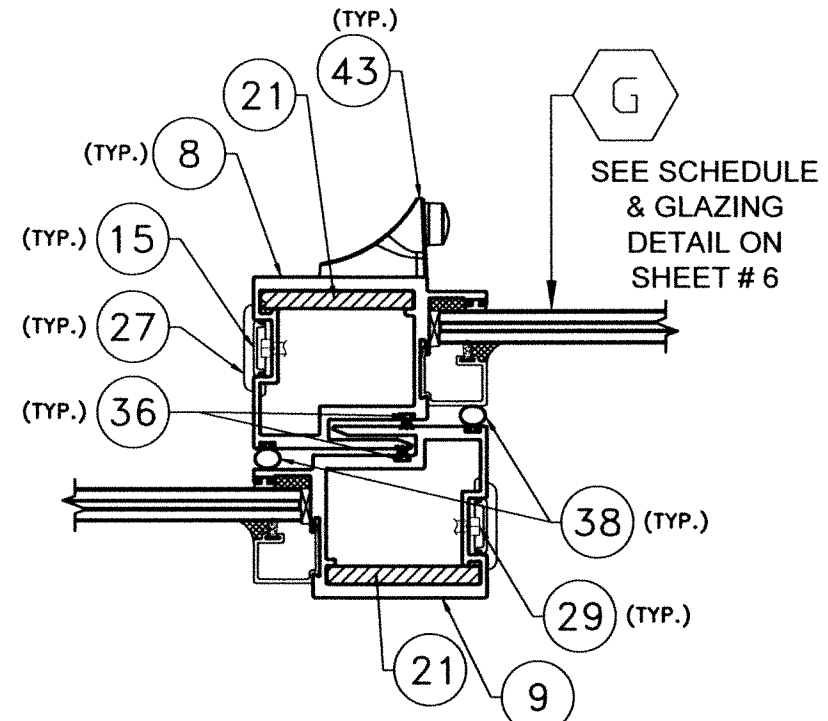
REV. NO	DESCRIPTION	DATE	REV. No	DESCRIPTION	DATE
1	OLD 21-114	08/11/23	2	-	-

SHEET 20B OF 26



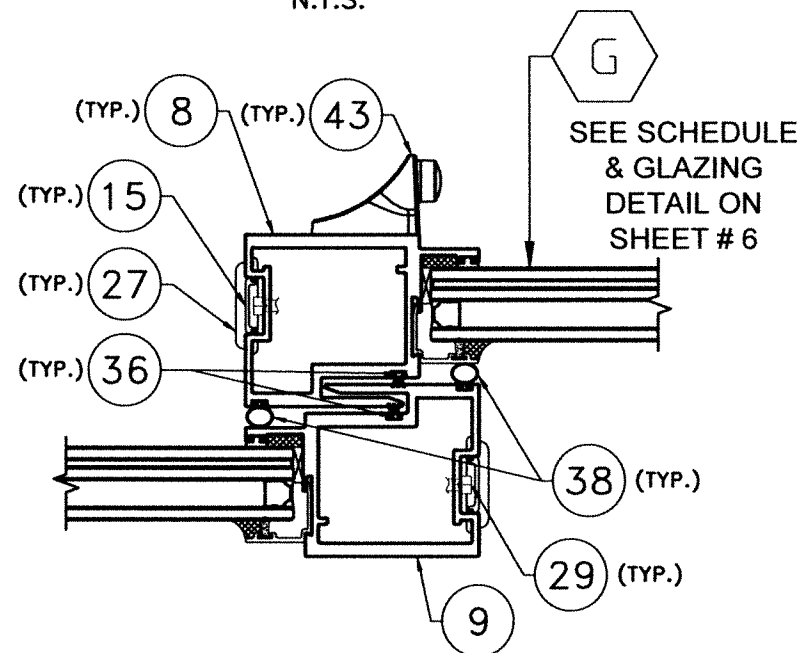
**UNREINFORCED MEETING STILES
W/LAMINATED GLASS**

N.T.S.



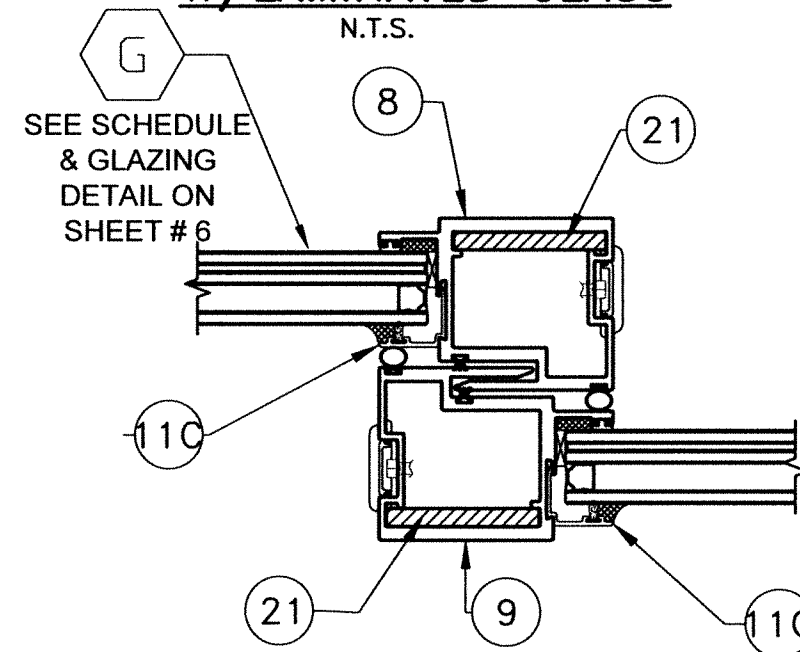
**REINFORCED MEETING STILES
W/LAMINATED GLASS**

N.T.S.



**UNREINFORCED MEETING STILES
W/INSULATED GLASS**

N.T.S.

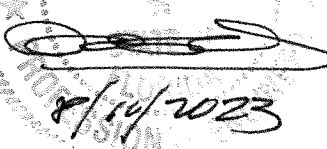


**REINFORCED MEETING STILES
W/INSULATED GLASS**


N.T.S.

SECTIONS K-K

FLORIDA BUILDING CODE (High & Non High Velocity Hurricane Zone)

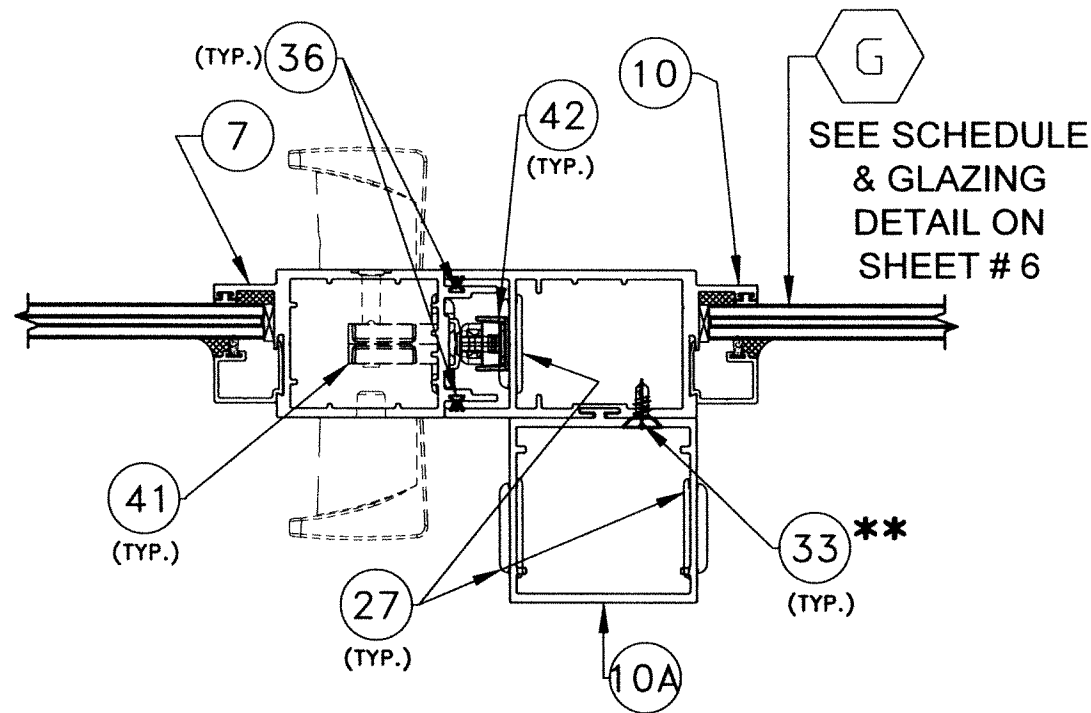

 8/14/2023
 P.E. SEAL/SIGNATURE/DATE

© 2023 TILTECO INC.
TILTECO INC.
 TILLIT TESTING & ENGINEERING COMPANY
 6355 N.W. 38th St., Ste. 305, VIRGINIA GARDENS, FL 33166
 Phone: (305)871-1530 Fax: (305)871-1531
 e-mail: tilteco@aol.com
 CA-0006719
 WALTER A. TILLIT Jr., P.E.
 FLORIDA Lic. 44167

**SERIES 28000 HIGH IMPACT SLIDING
GLASS DOOR / LARGE AND SMALL MISSILE**

 290 WEST 78 ROAD
 HIALEAH, FL 33014
 PH: (954)226-5555/(305)558-8103
 FAX: (305)558-6665
 www.gigwindows.com

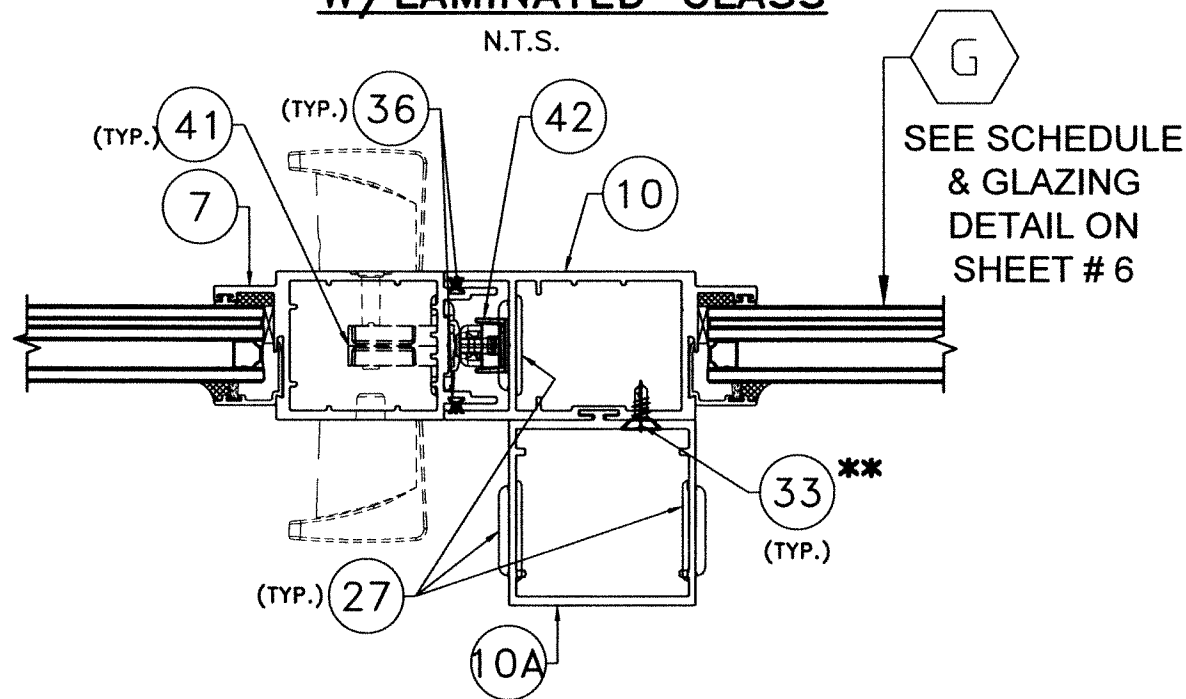
W.H
 DRAWN BY:
 08/11/2023
 DATE
 23-173
 DRAWING No
 SHEET 21 OF 26

REV. NO	DESCRIPTION	DATE	REV. No	DESCRIPTION	DATE
1	OLD 21-114	08/11/23	2	-	-



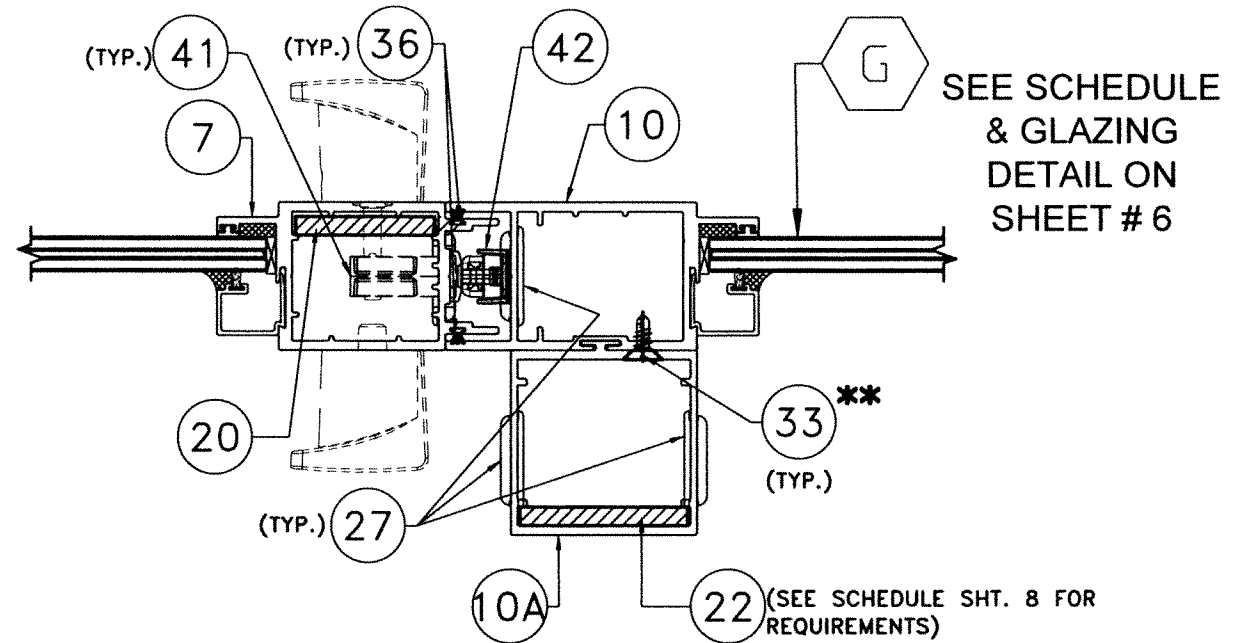
**UNREINFORCED DEEP ASTRAGAL
W/LAMINATED GLASS**

N.T.S.



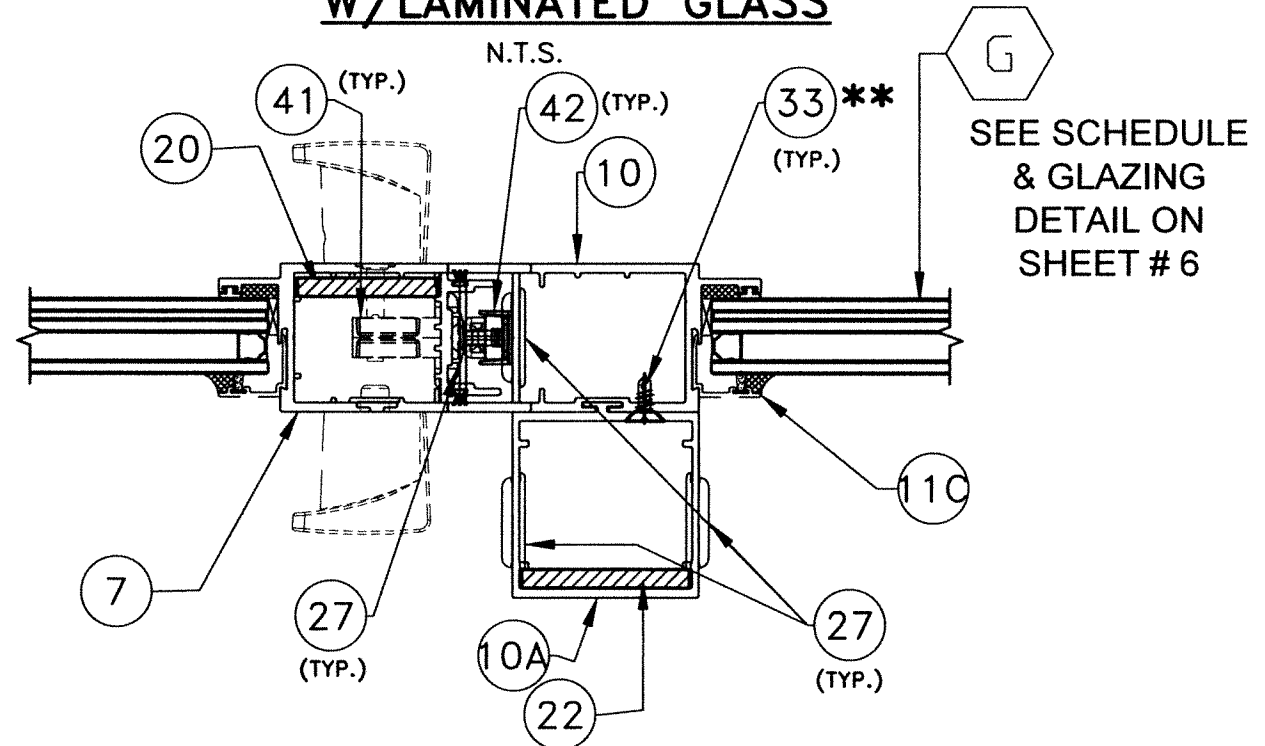
**UNREINFORCED DEEP ASTRAGAL
W/INSULATED GLASS**

N.T.S.



**REINFORCED DEEP ASTRAGAL
W/LAMINATED GLASS**

N.T.S.



**REINFORCED DEEP ASTRAGAL
W/INSULATED GLASS**

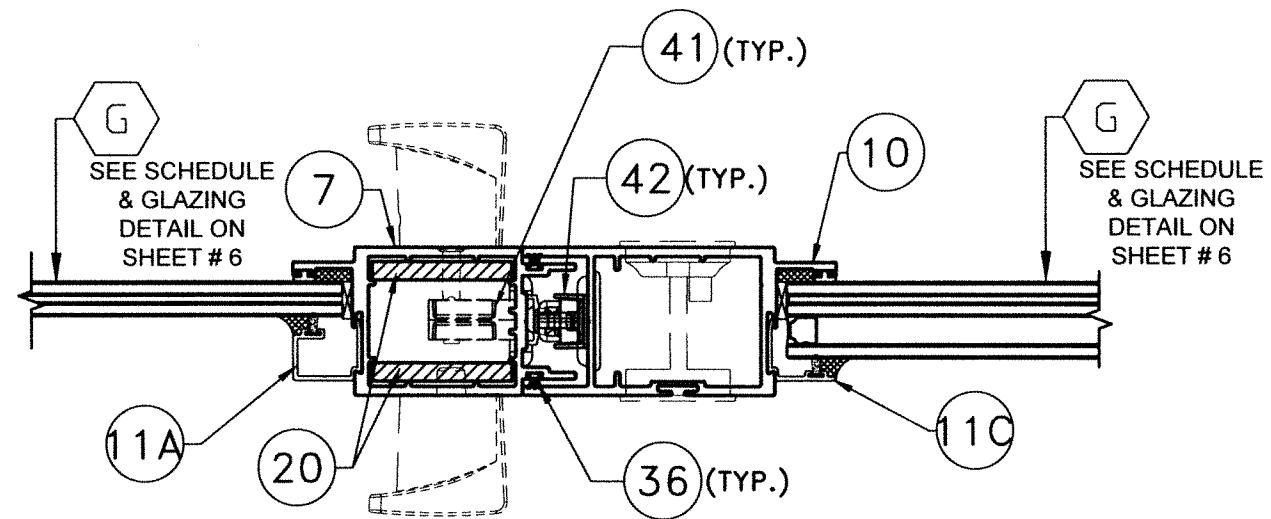
N.T.S.

FLORIDA BUILDING CODE (High & Non High Velocity Hurricane Zone)

**** ASTRAGAL ASSEMBLY REQUIRES
COMPONENT 33 AT TOP & BOTTOM
AT 1" FROM EDGES**

SECTIONS L-L

 P.E. SEAL/SIGNATURE/DATE	© 2023 TILTECO INC. TILTECO INC. TILLIT TESTING & ENGINEERING COMPANY 6355 N.W. 36th St., Ste. 305, VIRGINIA GARDENS, FL 33186 Phone: (305)871-1530, Fax: (305)871-1531 e-mail: tiltco@aol.com CA-0006719 WALTER A. TILLIT JR., P.E. FLORIDA Lic. 44167	SERIES 28000 HIGH IMPACT SLIDING GLASS DOOR / LARGE AND SMALL MISSILE 290 WEST 78 ROAD HIALEAH, FL. 33014 PH: (954)226-5555/(305)558-8103 FAX: (305)558-6665 www.gigwindows.com	W.H DRAWN BY:												
			08/11/2023 DATE												
			23-173 DRAWING No												
<table border="1"> <thead> <tr> <th>REV. NO</th> <th>DESCRIPTION</th> <th>DATE</th> <th>REV. No</th> <th>DESCRIPTION</th> <th>DATE</th> </tr> </thead> <tbody> <tr> <td>1</td> <td>OLD 21-114</td> <td>08/11/23</td> <td>2</td> <td>-</td> <td>-</td> </tr> </tbody> </table>			REV. NO	DESCRIPTION	DATE	REV. No	DESCRIPTION	DATE	1	OLD 21-114	08/11/23	2	-	-	SHEET 22 OF 26
REV. NO	DESCRIPTION	DATE	REV. No	DESCRIPTION	DATE										
1	OLD 21-114	08/11/23	2	-	-										




**"SHALLOW" ASTRAGAL
W/REINFORCEMENT (20)**
N.T.S.

SECTIONS M-M

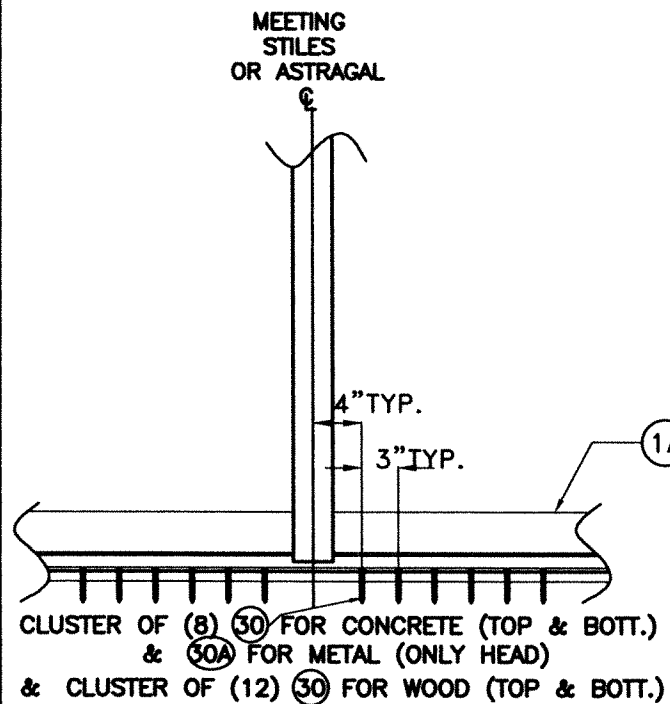
WALTER A. TILLIT JR.
LICENSE
No. 44167
STATE OF FLORIDA
[Signature]
8/11/2023
P.E. SEAL/SIGNATURE/DATE

© 2023 TILTECO INC.
TILTECO INC.
TILLIT TESTING & ENGINEERING COMPANY
6355 N.W. 36th. St., Ste. 305, VIRGINIA GARDENS, FL 33166
Phone : (305)871-1530 . Fax : (305)871-1531
e-mail: tilteco@aol.com
CA-0006719
WALTER A. TILLIT Jr., P.E.
FLORIDA Lic. 44167

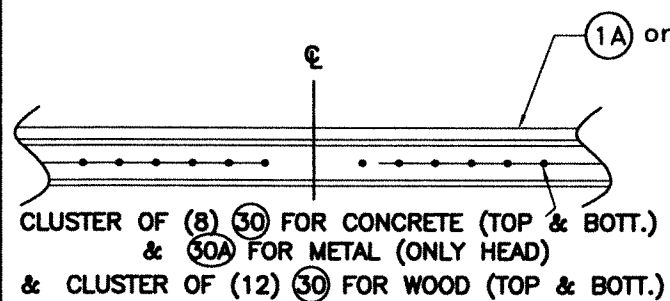
FLORIDA BUILDING CODE (High & Non High Velocity Hurricane Zone)

SERIES 28000 HIGH IMPACT SLIDING GLASS DOOR / LARGE AND SMALL MISSILE				W.H DRAWN BY:	
 <p>290 WEST 78 ROAD HIALEAH, FL 33014 PH: (954)226-5555/(305)558-8103 FAX: (305)558-6665 www.gigwindows.com</p>				08/11/2023 DATE	
				23-173 DRAWING No	
REV. No	DESCRIPTION	DATE	REV. No	DESCRIPTION	DATE
1	OLD 21-114	08/11/23	2	-	-
					SHEET 23 OF 26

**REQUIRED CLUSTER OF ANCHORS (30) AT TOP & BOTTOM & (30A) (ONLY AT TOP) OF MEETING STILES AND ASTRAGAL
AT HEAD & SILL FOR ANY GIVEN A.S.D. DESIGN WIND LOAD AND ANY DOOR PANEL WIDTH AND
FRAME HEIGHT, GIVEN A 2, 3, 4, 5 TRACK DOOR TYPE AND SUBSTRATE TYPE
(LARGE & SMALL MISSILE DOORS) ***

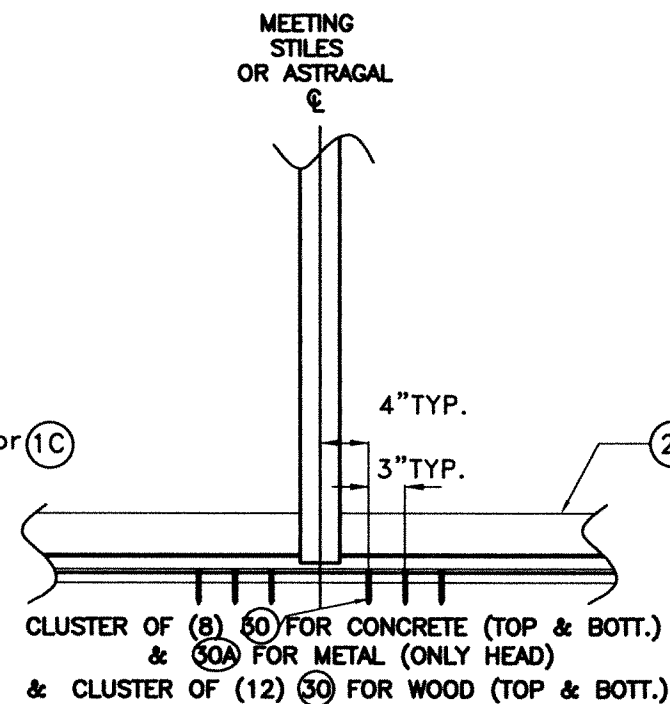


ELEVATION

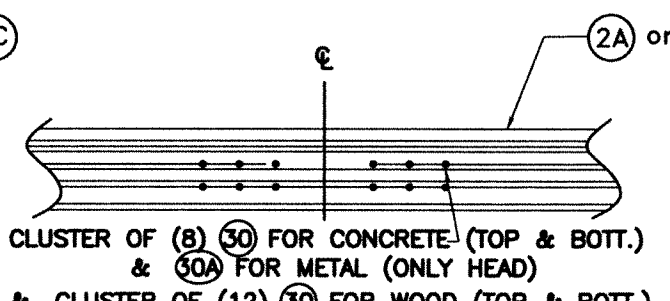


PLAN

2 TRACK DOOR

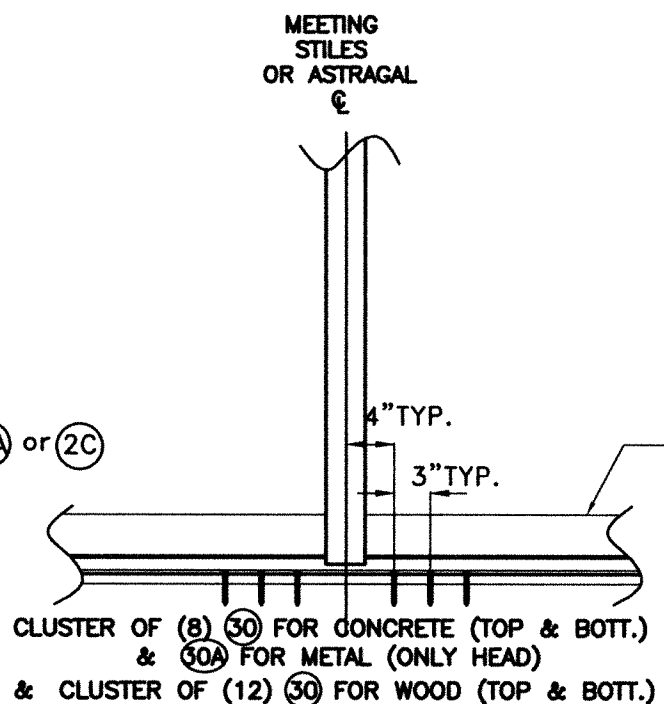


ELEVATION

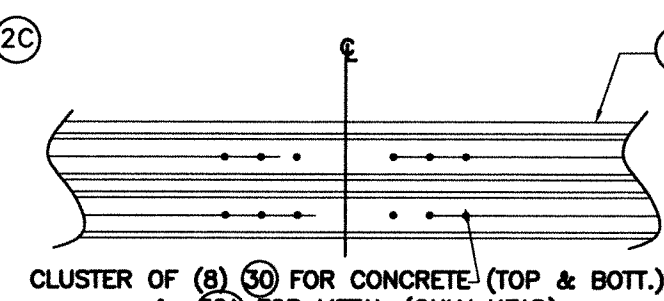


PLAN

3 TRACK DOOR

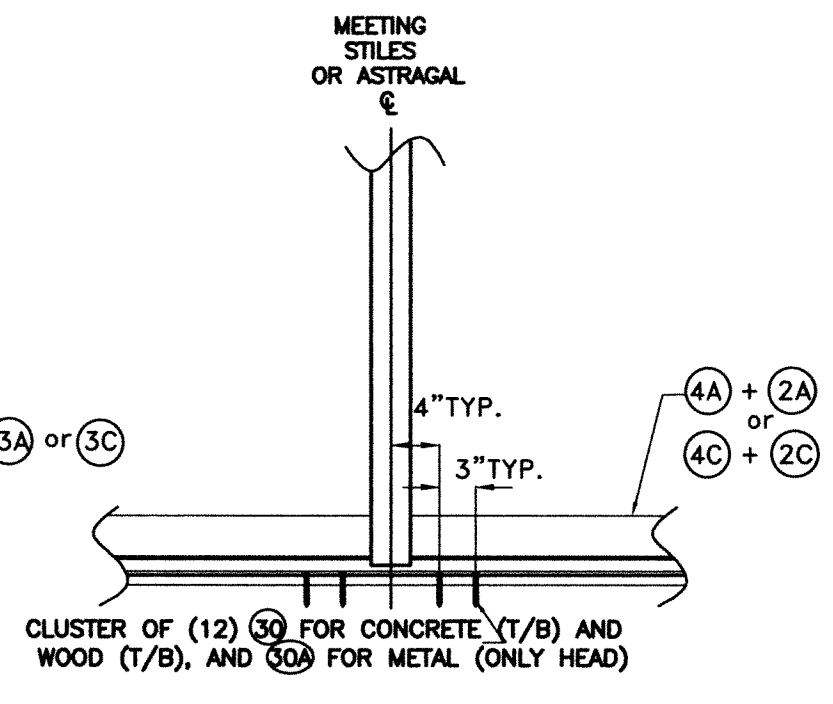


ELEVATION

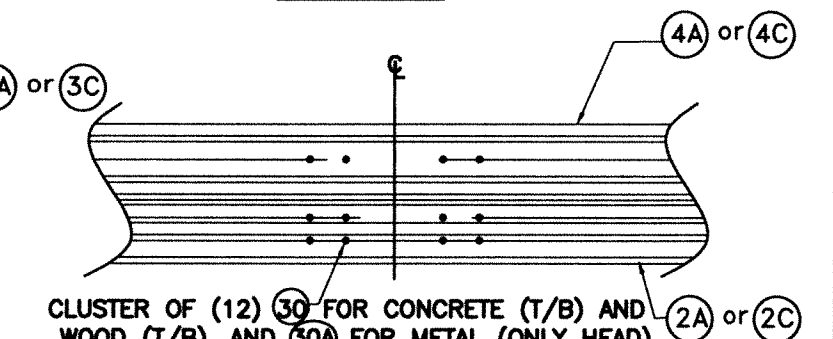


PLAN

4 TRACK DOOR



ELEVATION



PLAN

5 TRACK DOOR

*** NOTE:**

- USE HALF OF TOTAL ANCHORS CLUSTER AT HEAD & SILL AT JAMBS (ATTACHED OR FREE STANDING).
- SEE VERTICAL SECTIONS A , A' , B , B' , C , C' , D & D' ON SHT'S 17 THRU 20B.
- SEE NOTE 9/1 FOR SUBSTRATE DEFINITION FOR EACH ANCHOR TYPE.

FLORIDA BUILDING CODE (High & Non High Velocity Hurricane Zone)

WALTER A. TILLIT JR.
 P.E. SEAL/SIGNATURE/DATE
 8/10/2023

© 2023 TILTECO INC.
TILTECO INC.
 TILLIT TESTING & ENGINEERING COMPANY
 6355 N.W. 36th St., Ste. 305, VIRGINIA GARDENS, FL 33166
 Phone : (305)871-1530 . Fax : (305)871-1531
 e-mail: tilteco@aol.com
 CA-0006719
 WALTER A. TILLIT Jr., P.E.
 FLORIDA Lic. 44167

**SERIES 28000 HIGH IMPACT SLIDING
GLASS DOOR / LARGE AND SMALL MISSILE**

290 WEST 78 ROAD
 HIALEAH, FL. 33014
 PH: (954)226-5555/(305)558-8103
 FAX: (305)558-6665
 www.gigwindows.com

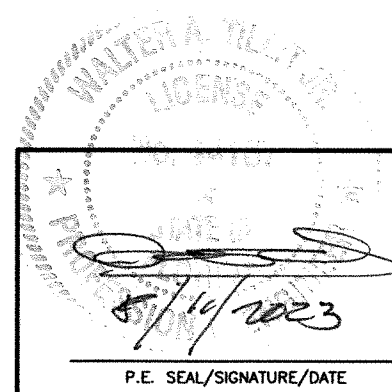
W.H
 DRAWN BY:
 08/11/2023
 DATE
 23-173
 DRAWING No
 SHEET 24 OF 26

REV. NO	DESCRIPTION	DATE	REV. No	DESCRIPTION	DATE
1	OLD 21-114	08/11/23	2	-	-

**MAX. ANCHOR $\text{\textcircled{30}}$ OR $\text{\textcircled{30A}}$ SPACING AND MIN. QUANTITY OF ANCHORS $\text{\textcircled{30}}$ & $\text{\textcircled{30A}}$ SCHEDULE FOR ATTACHED JAMBS
FOR A GIVEN A.S.D. DESIGN WIND LOAD AND A GIVEN NUMBER OF DOOR JAMB TRACKS,
FOR A GIVEN SUBSTRATE TYPE AT EXISTING JAMB ***


A.S.D. NEGATIVE DESIGN WIND LOAD (psf)	POURED CONCRETE OR CONCRETE BLOCK WALL				WOOD FRAME OR 2x WOOD BUCKS OR 1/8" STEEL (MIN. GRADE 33) OR 1/8" ALUMINUM (6063-T5)			
	2 TRACK DOOR	3 TRACK DOOR	4 TRACK DOOR	5 TRACK DOOR	2 TRACK DOOR	3 TRACK DOOR	4 TRACK DOOR	5 TRACK DOOR
60.0 or LESS	(1) @ 18" O.C.	(2) @ 18" O.C.	(2) @ 18" O.C.	(3) @ 18" O.C.	(1) @ 12" O.C.	(2) @ 18" O.C.	(2) @ 18" O.C.	(3) @ 18" O.C.
>60.0 to 90.0	(1) @ 14" O.C.	(2) @ 14" O.C.	(2) @ 14" O.C.	(3) @ 14" O.C.	(1) @ 10" O.C.	(2) @ 14" O.C.	(2) @ 14" O.C.	(3) @ 14" O.C.
>90.0 up to 110.0	(1) @ 9" O.C.	(2) @ 9" O.C.	(2) @ 9" O.C.	(3) @ 9" O.C.	(1) @ 8" O.C.	(2) @ 9" O.C.	(2) @ 9" O.C.	(3) @ 9" O.C.
>110.0 up to 177.0	(1) @ 8" O.C.	(2) @ 8" O.C.	(2) @ 8" O.C.	(3) @ 8" O.C.	(1) @ 8" O.C.	(2) @ 8" O.C.	(2) @ 8" O.C.	(3) @ 8" O.C.

* REQUIRED ONLY FOR ATTACHED JAMBS, NOT REQUIRED FOR FREE STANDING JAMBS (JAMB W/ $\text{\textcircled{19}}$ REINFORCEMENT).
SEE SECTIONS FOR ANCHOR LOCATIONS AT JAMBS ON SHEETS 11 THRU 14.


 P.E. SEAL/SIGNATURE/DATE

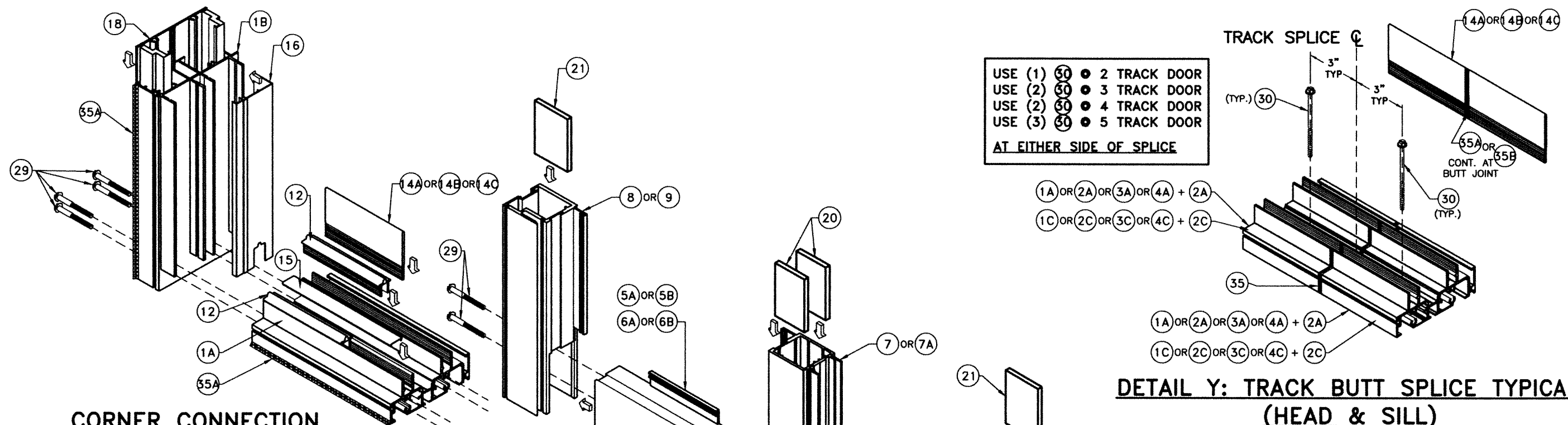
© 2023 TILTECO INC.
TILTECO INC.
 TILLIT TESTING & ENGINEERING COMPANY
 6355 N.W. 36th. St., Ste. 305, VIRGINIA GARDENS, FL 33166
 Phone : (305)871-1530 . Fax : (305)871-1531
 e-mail: tilteco@aol.com
 CA-0006719
 WALTER A. TILLIT Jr., P.E.
 FLORIDA Lic. 44167

FLORIDA BUILDING CODE (High & Non High Velocity Hurricane Zone)

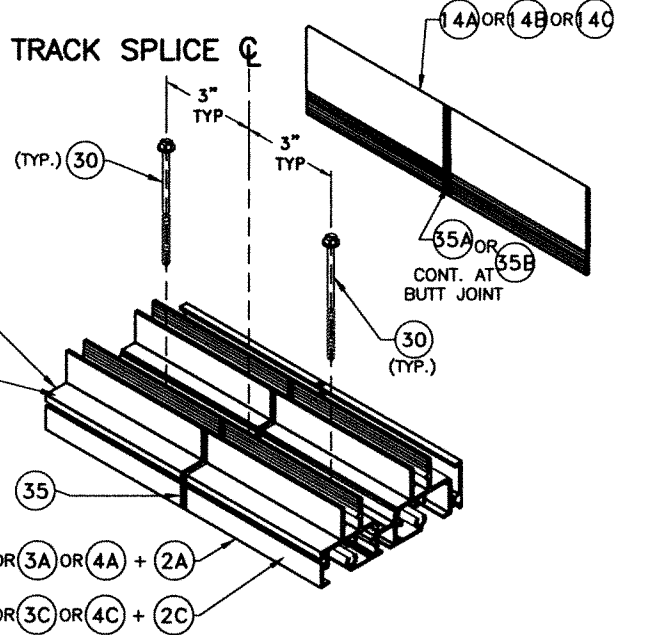
**SERIES 26000 HIGH IMPACT SLIDING
GLASS DOOR / LARGE AND SMALL MISSILE**

 290 WEST 78 ROAD
 HIALEAH, FL 33014
 PH: (954)228-5555/(305)558-8103
 FAX: (305)558-8685
 www.gigwindows.com

W.H
 DRAWN BY:
 08/11/2023
 DATE
 23-173
 DRAWING No

REV. NO	DESCRIPTION	DATE	REV. No	DESCRIPTION	DATE
1	OLD 21-114	08/11/23	2	-	-



USE (1) 50 • 2 TRACK DOOR
 USE (2) 50 • 3 TRACK DOOR
 USE (2) 50 • 4 TRACK DOOR
 USE (3) 50 • 5 TRACK DOOR
 AT EITHER SIDE OF SPLICE



**DETAIL Y: TRACK BUTT SPLICE TYPICAL
 (HEAD & SILL)
 APPLICABLE FOR 2, 3, 4 & 5 TRACKS
 PLUS SILL RISER BUTT SPLICE DETAIL**

**CORNER CONNECTION
 AT FRAME SILL**

**CORNER CONNECTION
 MEETING STILES AT
 BOTTOM RAIL**

**CORNER DETAILS
 (ISOMETRIC): 2 TRACK CONFIGURATION IS SHOWN
 NTS 3-5 TRACKS CONFIGURATIONS ARE SIMILAR**

APPLY 35A ALL AROUND EVERY CORNER
 JOINT AT DOOR PANEL AS WELL AS
 BETWEEN FRAMING MEMBERS.

**CORNER CONNECTION
 MEETING STILE & ATRAGAL
 AT BOTTOM RAIL**

**CORNER CONNECTION
 AT ALTERNATIVE
 FRAME SILL**

LARGE & SMALL MISSILE DOORS

FLORIDA BUILDING CODE (High & Non High Velocity Hurricane Zone)

WALTER A. TILLIT JR.
 LICENSE
 44167
 STATE OF FLORIDA
 PROFESSIONAL ENGINEER
 2023
 P.E. SEAL/SIGNATURE/DATE

© 2023 TILTECO INC.
TILTECO INC.
 TILLIT TESTING & ENGINEERING COMPANY
 6355 N.W. 36th St., Ste. 305, VIRGINIA GARDENS, FL 33166
 Phone: (305)871-1530 Fax: (305)871-1531
 e-mail: tilteco@aol.com
 CA-0006719
 WALTER A. TILLIT Jr., P.E.
 FLORIDA Lic. 44167

**SERIES 28000 HIGH IMPACT SLIDING
 GLASS DOOR / LARGE AND SMALL MISSILE**

290 WEST 78 ROAD
 HIALEAH, FL. 33014
 PH: (954)226-5555/(305)558-8103
 FAX: (305)558-6685
 www.glgwindows.com

REV. NO	DESCRIPTION	DATE	REV. No	DESCRIPTION	DATE
1	OLD 21-114	08/11/23	2	-	-

W.H
 DRAWN BY:
 08/11/2023
 DATE
 23-173
 DRAWING No
 SHEET 26 OF 26