



Product Approval
USER: Public User

[Product Approval Menu](#) > [Product or Application Search](#) > [Application List](#) > **Application Detail**

OFFICE OF THE SECRETARY

| FL # | FL42523 | | | | | | | | | | | | |
|--|--|-----------------|-------------|----------|------|------------|------|---------|------|---------|------|---------|------|
| Application Type | New | | | | | | | | | | | | |
| Code Version | 2023 | | | | | | | | | | | | |
| Application Status | Approved | | | | | | | | | | | | |
| Comments | | | | | | | | | | | | | |
| Archived | <input type="checkbox"/> | | | | | | | | | | | | |
| Product Manufacturer Address/Phone/Email | GIG Windows & Doors 290 W 78 Road Hialeah, FL 33014 (305) 558-8103 tony@generalimpact.com | | | | | | | | | | | | |
| Authorized Signature | Jose Zuniga tony@generalimpact.com | | | | | | | | | | | | |
| Technical Representative Address/Phone/Email | | | | | | | | | | | | | |
| Quality Assurance Representative Address/Phone/Email | | | | | | | | | | | | | |
| Category Subcategory | Panel Walls Storefronts | | | | | | | | | | | | |
| Compliance Method | Evaluation Report from a Florida Registered Architect or a Licensed Florida Professional Engineer <input type="checkbox"/> Evaluation Report - Hardcopy Received | | | | | | | | | | | | |
| Florida Engineer or Architect Name who developed the Evaluation Report | Walter A. Tillit Jr., P.E. | | | | | | | | | | | | |
| Florida License | PE-44167 | | | | | | | | | | | | |
| Quality Assurance Entity | National Accreditation and Management Institute | | | | | | | | | | | | |
| Quality Assurance Contract Expiration Date | 12/31/2026 | | | | | | | | | | | | |
| Validated By | John W. Knezevich, PE <input checked="" type="checkbox"/> Validation Checklist - Hardcopy Received | | | | | | | | | | | | |
| Certificate of Independence | FL42523_R0_COI_COI Drwg 23-204 GIG Windows Doors.pdf | | | | | | | | | | | | |
| Referenced Standard and Year (of Standard) | <table border="0"> <thead> <tr> <th>Standard</th> <th>Year</th> </tr> </thead> <tbody> <tr> <td>AAMA 501</td> <td>2015</td> </tr> <tr> <td>ASTM E1300</td> <td>2009</td> </tr> <tr> <td>TAS 201</td> <td>1994</td> </tr> <tr> <td>TAS 202</td> <td>1994</td> </tr> <tr> <td>TAS 203</td> <td>1994</td> </tr> </tbody> </table> | Standard | Year | AAMA 501 | 2015 | ASTM E1300 | 2009 | TAS 201 | 1994 | TAS 202 | 1994 | TAS 203 | 1994 |
| Standard | Year | | | | | | | | | | | | |
| AAMA 501 | 2015 | | | | | | | | | | | | |
| ASTM E1300 | 2009 | | | | | | | | | | | | |
| TAS 201 | 1994 | | | | | | | | | | | | |
| TAS 202 | 1994 | | | | | | | | | | | | |
| TAS 203 | 1994 | | | | | | | | | | | | |
| Equivalence of Product Standards Certified By | | | | | | | | | | | | | |
| Sections from the Code | | | | | | | | | | | | | |

Product Approval Method Method 1 Option D

Date Submitted 10/09/2023
Date Validated 10/09/2023
Date Pending FBC Approval 10/12/2023
Date Approved 12/13/2023

Summary of Products

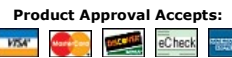
| FL # | Model, Number or Name | Description |
|--|---|---|
| 42523.1 | High Impact Series JAZS 70000 Aluminum Storefront System with Large & Small Missile Laminated and Insulated Glass | Window System made of Laminated and Insulated Impact Resistant Glass retained by aluminum profile frame, wet glazed. |
| Limits of Use Approved for use in HVHZ: Yes Approved for use outside HVHZ: Yes Impact Resistant: Yes Design Pressure: +varies/-varies Other: Large & Small Missile Impact Resistant, see General Notes No. 1 thru 5, and sheet 1 of installation Drawing No. 23-204. A.S.D. Pressure rating per schedules on installation Drawing No.23-204. See Section 7 of the Evaluation Report for additional Limitations and Conditions of Use. | | Installation Instructions FL42523_R0_II_PED Drwg 23-204 GIG Windows Doors.pdf Verified By: Walter A. Tillit Jr., P.E. PE 44167 Created by Independent Third Party: Yes Evaluation Reports FL42523_R0_AE_PER Drwg 23-204 GIG Windows Doors.pdf Created by Independent Third Party: Yes |

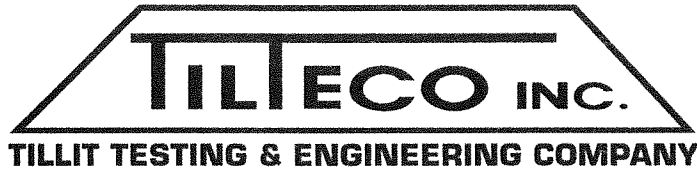
[Back](#) [Next](#)

[Contact Us :: 2601 Blair Stone Road, Tallahassee FL 32399 Phone: 850-487-1824](#)

The State of Florida is an AA/EEO employer. [Copyright 2007-2013 State of Florida.](#) :: [Privacy Statement](#) :: [Accessibility Statement](#) :: [Refund Statement](#)

Under Florida law, email addresses are public records. If you do not want your e-mail address released in response to a public-records request, do not send electronic mail to this entity. Instead, contact the office by phone or by traditional mail. If you have any questions, please contact 850.487.1395. *Pursuant to Section 455.275(1), Florida Statutes, effective October 1, 2012, licensees licensed under Chapter 455, F.S. must provide the Department with an email address if they have one. The emails provided may be used for official communication with the licensee. However email addresses are public record. If you do not wish to supply a personal address, please provide the Department with an email address which can be made available to the public. To determine if you are a licensee under Chapter 455, F.S., please click [here](#).





WALTER A. TILLIT, JR., P.E.

tilteco@aol.com
FL P.E. License No. 44167
FL C.A. License No. 0006719

CERTIFICATE OF INDEPENDENCE

Evaluation Report #: 23-0919.11

Date: September 19, 2023

Product Category: Windows

Product Subcategory: Storefront

Product Name: HIGH IMPACT SERIES JAZS 7000
ALUMINUM STOREFRONT SYSTEM WITH
LARGE & SMALL MISSILE LAMINATED AND
INSULATED GLASS

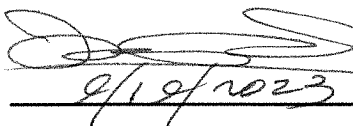
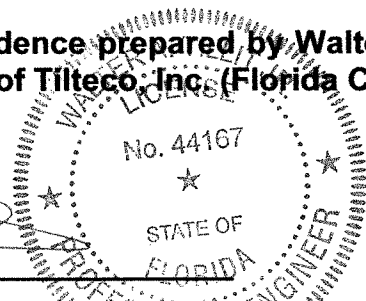
Manufacturer Name: GIG WINDOWS & DOORS
290 West 78th Road
Hialeah, FL 33014

Dear Sir (Madam):

This is to certify that this Florida Professional Engineer, performing this evaluation does not have nor will acquire, a financial interest in any company manufacturing or distributing products for which the reports are being issued.

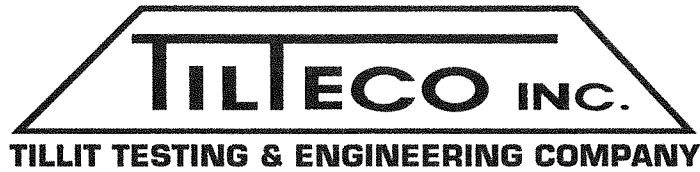
This is also to certify that this Florida Professional Engineer performing this evaluation does not have, nor will acquire, a financial interest in any other entity involved in the approval process of the product.

Certificate of Independence prepared by Walter A. Tillit, Jr., P.E. (Florida License No. 44167), President of Tilteco, Inc. (Florida CA-0006719).

WATMA

D:\TILTECO ADMON RECORDS \ CERTIFICATION OF INDEPENDENCE \ GIG WINDOWS & DOORS \ HIGH IMPACT SERIES JAZS 7000 ALUMINUM STOREFRONT SYSTEM WITH LARGE & SMALL MISSILE LAMINATED AND INSULATED GLASS \ EVALUATION REPORT # 23-0919.11



WALTER A. TILLIT, JR., P.E.

PRODUCT EVALUATION REPORT

tilteco@aol.com
FL P.E. License No. 44167
FL C.A. License No. 0006719

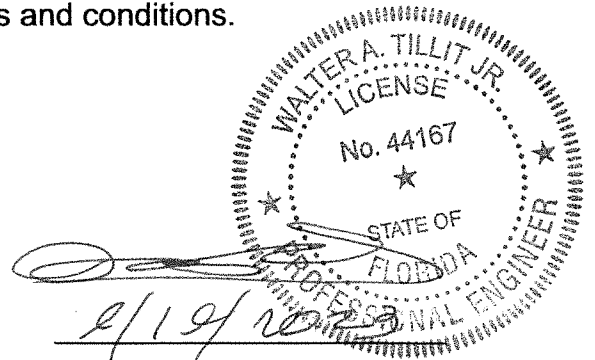
REPORT No.: 23-0919.11
DATE: September 19, 2023
PRODUCT CATEGORY: Window
PRODUCT SUB-CATEGORY: Storefront
PRODUCT NAME: HIGH IMPACT SERIES JAZS 70000
ALUMINUM STOREFRONT SYSTEM WITH
LARGE & SMALL MISSILE LAMINATED
AND INSULATED GLASS
MANUFACTURER: GIG WINDOWS & DOORS
290 West 78th Road
Hialeah, FL 33014

1. PURPOSE OF EVALUATION:

This is a Product Evaluation Report issued by **Walter A. Tillit, Jr., P.E.** (System ID # 1906) to **GIG WINDOWS & DOORS**, based on **Rule Chapter No. 61G20-3, Method 1D** of the Florida Department of Business and Professional Regulation.

This product is being issued an Evaluation Report as described herein and has been verified for compliance in accordance with the 2023 8th Edition of the Florida Building Code, and to verify that the product is for the purpose intended at least equivalent to that required by the Code.

This Product Evaluation Report shall be subject to review and revision in case of a Building Code change that may affect its limitations and conditions.



2. EVIDENCE SUBMITTED:

2.1. PRODUCT EVALUATION DOCUMENT (P.E.D.):

Drawing No. 23-204, titled "HIGH IMPACT SERIES JAZS 7000 ALUMINUM STOREFRONT SYSTEM WITH LARGE & SMALL MISSILE LAMINATED AND INSULATED GLASS" sheets 1 thru 43 (includes 30A & 31A) prepared by Tilteco, Inc.; signed and sealed by **Walter A. Tillit, Jr., P.E.**; dated 8/30/2023. This drawing is an integral part of this Evaluation Report.

2.2. TEST REPORTS:

Impact and Cyclic Tests as per protocol TAS-201, TAS-203, Uniform Static Load as per Protocol TAS 202 and AAMA 501 per sections 1626, 1609.1.2, and 2411.3.2.1.1, respectively of the Florida Building Code.

Test reports prepared by Fenestration Testing Lab Inc., Report No.10553, dated 03/15/2019, signed and sealed by Idalmis Ortega, P.E.

2.3. STRUCTURAL ENGINEERING CALCULATIONS:

On "HIGH IMPACT SERIES JAZS 7000 ALUMINUM STOREFRONT SYSTEM WITH LARGE & SMALL MISSILE LAMINATED AND INSULATED GLASS" for Maximum Pressure Rating vs. Maximum anchor spacing, Maximum Mullion and Horizontal Span, and Maximum Glass Size, based on rational and comparative analysis, in accordance with sections 1604 and 1616 of the Florida Building Code. Calculations prepared by Tilteco, Inc., dated 03/26/2019 and 5/02/2013, signed and sealed by Walter A. Tillit, Jr., P.E.

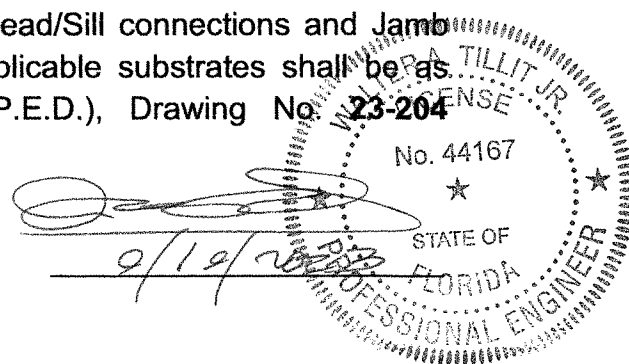
3. MISSILE IMPACT RESISTANCE:

Large Missile Impact resistance is provided per TAS 201 (9 lbs., 50 feet/sec, Large Missile).

4. WIND LOADS RESISTANCE:

On **HIGH IMPACT SERIES JAZS 7000 ALUMINUM STOREFRONT SYSTEM WITH LARGE & SMALL MISSILE LAMINATED AND INSULATED GLASS** has been verified to keep sustain wind pressures. Maximum Glass Panels Dimensions, Mullion Spans, & Horizontal Spans shall be as indicated on Product Evaluation Document (P.E.D.), Drawing No. **23-204 (Applicable to System # 1 & # 2)**.

Maximum Design Pressure Rating for Mullions Head/Sill connections and Jamb Connection Maximum Fasteners Spacing for applicable substrates shall be as indicated on Product Evaluation Document (P.E.D.), Drawing No. **23-204 (Applicable to System # 1 & # 2)**.



5. INSTALLATION:

Installation shall be performed strictly in accordance with General Notes # 3 thru 11, indicated on sheet 1 and details indicated on Product Evaluation Document (P.E.D.), drawing No. **23-204 (System # 1 & #2)**.

Gaskets and setting blocks used at installations comply with section 2411.3.4 of the Florida Building Code as specified on Bill of Materials (components 19, 20, and 21) on Product Evaluation Document (P.E.D.) **Drawing No. 23-204 (System # 1 & # 2)**.

6. MATERIAL CHARACTERISTICS AND SPECIFICATIONS:

Shall be strictly in accordance with General Notes and Components indicated on Product Evaluation Document (P.E.D.), **Drawing No. 23-204 (System # 1 & # 2)**.

Anchor specifications shall be as indicated on Product Evaluation Document (P.E.D.), **Drawing No. 23-204 (System # 1 & # 2)**.

7. LIMITATIONS AND CONDITIONS OF USE:

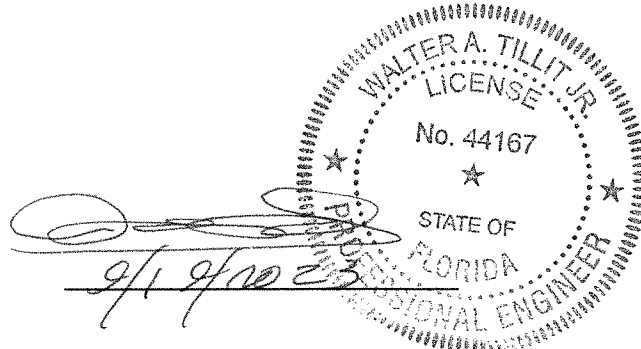
7.1. Shall be strictly in compliance with General Notes No. 1 thru 5, indicated on sheet 1 of Product Evaluation Document (P.E.D.), Drawing No. **23-204** prepared by Tilteco, Inc. and signed and sealed by Walter A. Tillit, Jr., P.E.

7.2. Product **may** be installed within HIGH VELOCITY HURRICANE ZONES as defined on section 202 of the Florida Building Code and out of it.

7.3. Product shall only be installed into substrates with limitations as indicated on Product Evaluation Document (P.E.D.), Drawing No. **23-204 (System # 1 & # 2)**.

Product Evaluation Report prepared by Walter A. Tillit, Jr., P.E. (Florida License No. 44167), President of Tilteco, Inc. (Florida CA-0026719).

WATMA
D:\ TILTECO ADMON RECORDS \ P. E. REPORT.23 \ GIG WINDOWS & DOORS \ HIGH IMPACT SERIES JAZS 7000 ALUMINUM STOREFRONT SYSTEM WITH LARGE & SMALL MISSILE LAMINATED AND INSULATED GLASS\ DRWG # 23-204 \ REPORT # 23-0919.11



PRODUCT APPROVAL FOR HI-IMPACT SERIES JAZS 70.000 STOREFRONT SYSTEM FOR USE IN HURRICANE ZONES REQUIRING LARGE & SMALL MISSILE LAMINATED & INSULATED GLASS . (WET GLAZED)

GENERAL NOTES:

1. SERIES JAZS 70.000 STOREFRONT SYSTEM LARGE & SMALL MISSILE IMPACT LAMINATED AND INSULATED GLASS, SHOWN ON THIS PRODUCT EVALUATION DOCUMENT (P.E.D.) HAS BEEN VERIFIED FOR COMPLIANCE IN ACCORDANCE WITH THE 2023 (8th EDITION) OF THE FLORIDA BUILDING CODE. PRODUCT MAY BE INSTALLED WITHIN HIGH VELOCITY HURRICANE ZONES (HVHZ) AND OUT THEM (NHVHZ).
DESIGN WIND LOADS SHALL BE DETERMINED AS PER SECTIONS 1620 (HVHZ) & 1609 (NHVHZ) OF THE ABOVE MENTIONED CODE, FOR A BASIC WIND SPEED AS REQUIRED BY THE JURISDICTION WHERE THIS PRODUCT TO BE INSTALLED FOR A DIRECTIONALITY FACTOR $K_d=0.85$, USING ASCE 7-22 & SHALL NOT EXCEED THE MAXIMUM (A.S.D.) DESIGN PRESSURE RATING INDICATED ON NOTE 2.
IN ORDER TO VERIFY THE ABOVE CONDITION, ULTIMATE DESIGN WIND LOADS DETERMINED PER ASCE 7-22 SHALL BE FIRST REDUCED TO A.S.D. DESIGN WIND LOADS BY MULTIPLYING THEM BY 0.6 IN ORDER TO COMPARE THESE W/ MAX. (A.S.D) DESIGN PRESSURE RATINGS INDICATED ON NOTE 2.
IN ORDER TO VERIFY THAT ANCHORS ON THIS P.E.D., AS TESTED, WERE NOT OVERSTRESSED, A 33% INCREASE IN ALLOWABLE STRESS FOR WIND LOADS WAS **NOT** USED IN THEIR ANALYSIS. FASTENERS SPACING TO WOOD HAS BEEN DETERMINED IN ACCORDANCE WITH N.D.S. 2018.
THIS PRODUCT'S ADEQUACY FOR IMPACT AND CYCLIC RESISTANCE HAS BEEN VERIFIED IN ACCORDANCE WITH SECTIONS 1626, 1609.1.2 & AAMA 501 (PER SECTION 2411.3.2.1.1) OF THE ABOVE MENTIONED CODE AS PER PROTOCOLS TAS-201, TAS-202, TAS-203, PER FENESTATION TESTING. LABORATORY REPORT # 10553 AND AS PER SUBMITTED STRUCTURAL CALCULATIONS, PERFORMED AS PER SECTIONS 1616 & 1604 OF THE FLORIDA BUILDING CODE. GLASS VERIFIED PER ASTM E-1300 PER SECTION 2404.1 OF THE FLORIDA BUILDING CODE.
2. **MAXIMUM A.S.D. DESIGN PRESSURE RATING FOR THIS PRODUCT SHALL BE AS SHOWN ON SHEETS 6, 7, 8, 9, 9A AND 10, 10A.**
3. **THIS PRODUCT WILL NOT REQUIRE A HURRICANE PROTECTION DEVICE.**
4. **THIS PRODUCT IS APPROVED FOR AIR/WATER INFILTRATION FOR UP TO A POSITIVE A.S.D LOAD OF 90.0 psf.**
5. PRODUCT COMPLIES WITH SECTION 2406 OF THE FLORIDA BUILDING CODE.
6. PROVIDE MAX. LOAD BEARING SHIM (TYP.), WHEN ALLOWED BY THIS DRAWING. (SEE SHEETS 9, 9A, 10 & 10A FOR OPTIONAL SYSTEM #1 AND 30, 30A, 31 & 31A FOR OPTIONAL SYSTEM #2)
7. WOOD BUCKS BY OTHERS, MUST BE ANCHORED PROPERLY TO TRANSFER LOADS TO THE BUILDING STRUCTURE. WOOD BUCKS MUST BE SOUTHERN PINE # 2, $G = 0.55$, AND SHALL COMPLY WITH SECTIONS 2411.3.3.3. & 2411.3.3.4 OF THE FLORIDA BUILDING CODE.
 - 7.1 2X WOOD BUCKS MUST BE PROPERLY ANCHORED TO EXISTING STRUCTURE TO TRANSFER LOADS TO IT. ANCHORAGE IS INDEPENDENT OF PRODUCT'S FRAME ANCHORAGE. PRODUCT'S FRAME MUST BE SEPARATELY ANCHORED TO 2X WOOD BUCK FOLLOWING DETAILS ON THIS DRAWING.
 - 7.2 1X WOOD BUCK (OR ANY WOOD BUCK LESS THAN 2X) MUST BE PROPERLY ANCHORED TO EXISTING STRUCTURE TO TRANSFER LOADS TO IT. PRODUCT'S FRAME ANCHOR SHALL BE USED TO ATTACH 1X WOOD BUCK TO EXISTING STRUCTURE BY DRIVING ANCHOR THRU BOTH PRODUCT'S FRAME & 1X WOOD BUCK INTO EXISTING STRUCTURE W/ PROPER EMBEDMENT AND EDGE DISTANCE AS SHOWN ON THIS DRAWING.
 - 7.3 PRODUCT'S FRAME MAY BE DIRECTLY CONNECTED TO EXISTING STRUCTURE WITH NO NEED OF WOOD BUCK WHEN MASONRY OPENING IS NOT LARGER THAN ACTUAL DOOR OVERALL DIMENSIONS, HOWEVER, SHIMS (SEE NOTE 6) MAY BE ALLOWED AT PRODUCT'S FRAME ANCHOR LOCATION IF NEEDED.
8. REMAINING COMPONENTS FOR THIS PRODUCT SHALL BE AS INDICATED ON BILL OF MATERIALS, SHEET 3 OF THIS DRAWING.
9. ALL ALUMINUM EXTRUSIONS IN CONTACT WITH DISSIMILAR MATERIALS SHALL COMPLY WITH SECTION III-6 OF THE 2020 ALUMINUM DESIGN MANUAL.
10. SHOP DRAWINGS PREPARED BASED ON THIS APPROVAL AND TAKING INTO ACCOUNT THE SPECIFIC JOB CONDITIONS, SHALL BE SUBMITTED TO THE BUILDING OFFICIAL AS PART OF THE PERMIT DOCUMENTS.
11. STRUCTURAL SUBSTRATES NOTED ON THIS DRAWING AS EXISTING STEEL OR ALUMINUM, POURED CONCRETE, GROUT FILLED CONCRETE BLOCK AND WOOD (BY OTHERS) MUST WITHSTAND THE LOADS IMPOSED BY THIS PRODUCT.
12. (a) THIS P.E.D. PREPARED BY THIS ENGINEER IS GENERIC AND DOES NOT PROVIDE INFORMATION FOR A SITE SPECIFIC PROJECT; i.e. WHERE THE SITE CONDITIONS DEVIATE FROM THE P.E.D.

(b) CONTRACTOR TO BE RESPONSIBLE FOR THE SELECTION, PURCHASE AND INSTALLATION INCLUDING LIFE SAFETY OF THIS PRODUCT, BASED ON THIS P.E.D., PROVIDED HE/SHE DOES NOT DEVIATE FROM THE CONDITIONS DETAILED ON THIS DOCUMENT. CONSTRUCTION SAFETY AT SITE IS THE CONTRACTOR'S RESPONSIBILITY.

(c) THIS P.E.D. WILL BE CONSIDERED INVALID IF ALTERED BY ANY MEANS.

(d) SITE SPECIFIC PROJECTS SHALL BE PREPARED BY A FLORIDA REGISTERED ENGINEER OR ARCHITECT WHICH WILL BECOME THE ENGINEER OF RECORD (E.O.R.) FOR THE PROJECT AND WHO WILL BE RESPONSIBLE FOR THE PROPER USE OF THE P.E.D. ENGINEER OF RECORD, ACTING AS DELEGATED ENGINEER TO THE P.E.D. ENGINEER, SHALL SUBMIT TO THIS LATTER THE SITE SPECIFIC DRAWINGS FOR REVIEW.

(e) ORIGINAL P.E.D. SHALL BEAR THE DATE AND ORIGINAL SEAL AND SIGNATURE OF THE PROFESSIONAL ENGINEER OF RECORD THAT PREPARED IT.

13. PRODUCT MANUFACTURER'S LABEL SHALL BE LOCATED ON A READILY VISIBLE LOCATION AT PRODUCT IN ACCORDANCE WITH SECTION 1709.5 OF THE FLORIDA BUILDING CODE. ONE LABEL SHALL BE PLACED FOR EVERY OPENING.

INDEX:

SHEETS 1 THRU 22: OPTIONAL SYSTEM #1
SHEETS 23 THRU 43: OPTIONAL SYSTEM #2

INSTRUCTIONS:

STEP 1: DETERMINE A.S.D. DESIGN WIND LOAD REQUIREMENTS BASED ON WIND VELOCITY, BUILDING HEIGHT, WIND ZONE, USING APPLICABLE ASCE 7 STANDARD.

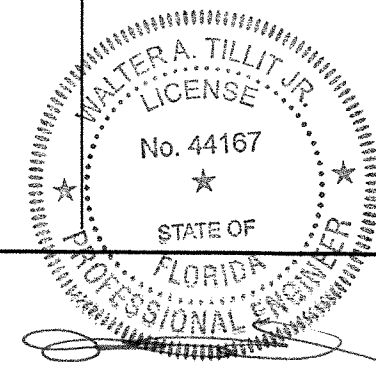
STEP 2: GO TO SCHEDULE ON SHEETS 6 (FOR OPTIONAL SYSTEM #1) AND 27 (FOR OPTIONAL SYSTEM #2) TO DETERMINE MAXIMUM A.S.D. DESIGN PRESSURE RATING (psf) OF DESIRED GLASS SIZE BASED ON GLASS PANEL DIMENSIONS AND DESIGN WIND LOAD PER STEP 1.

STEP 3: DETERMINE MAXIMUM MULLION SPAN "L"(FT) FOR A GIVEN MULLION EFFECTIVE SPACING "b", ON SCHEDULE ON SHEETS 7 & 8 (FOR OPTIONAL SYSTEM #1) AND 28 & 28 (FOR OPTIONAL SYSTEM #2) AND SELECT ANCHOR OPTION W/ A.S.D. DESIGN PRESSURE RATING EQUAL OR GREATER THAN DESIGN LOAD SPECIFIED IN STEP 1 USING SCHEDULES ON SHEETS 9 THRU 11 (FOR OPTIONAL SYSTEM #1) AND SHEETS 30 THRU 32 (FOR OPTIONAL SYSTEM #2) PER STEP 4.

STEP 4: USE SCHEDULES ON SHEETS 11 (FOR OPTIONAL SYSTEM #1) AND 32 (FOR OPTIONAL SYSTEM #2) , TO SELECT ANCHOR FOR OPTION W/ JAMB ANCHORAGE, OR SCHEDULES ON SHEETS 7 (FOR OPTIONAL SYSTEM #1) AND 28 (FOR OPTIONAL SYSTEM #2) FOR JAMB MULLIONS W/O ANCHORAGE, WITH A.S.D. DESIGN PRESSURE RATING EQUAL OR GREATER THAN A.S.D. DESIGN LOAD SPECIFIED IN STEP 1.

STEP 5: THE LOWEST VALUE OF A.S.D. DESIGN PRESSURE RATING RESULTING FROM STEPS 2, 3, 4 AND 5 SHALL APPLY TO THE ENTIRE SYSTEM.

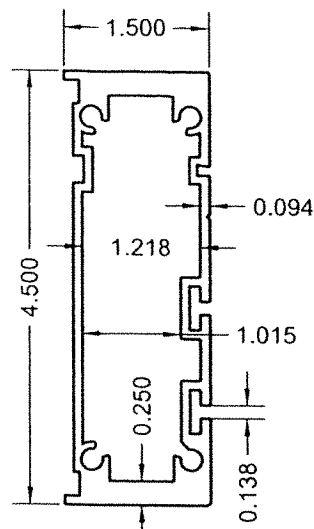
THIS DRAWING SHALL ONLY BE USED TO OBTAIN PERMITS IN THE STATE OF FLORIDA



9/19/2023
P.E. SEAL/SIGNATURE/DATE

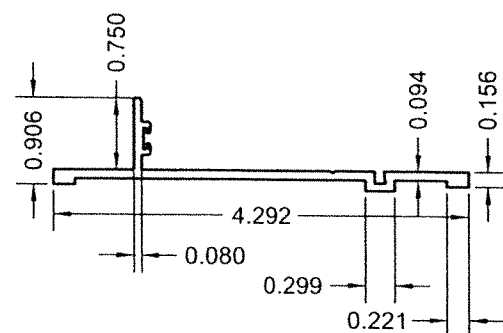
FLORIDA BUILDING CODE (High & Non High Velocity Hurricane Zone)

| © 2023 TILTECO INC. TILTECO INC. TILLIT TESTING & ENGINEERING COMPANY <small>6355 N.W. 36th St., Ste. 305 - VIRGINIA GARDENS, FL 33166 Phone : (305) 871-1530 , Fax : (305) 871-1531 e-mail: tilteco@aol.com CA-0006719 WALTER A. TILLIT Jr., P.E. FLORIDA Lic. # 44167</small> | HIGH IMPACT SERIES JAZS 70.000 STOREFRONT SYSTEM W/ LARGE & SMALL MISSILE LAMINATED & INSULATED GLASS 290 WEST 78 ROAD HIALEAH, FL 33014 PH: (954)226-5555/(305)558-8103 FAX: (305)558-6665 www.gigwindows.com | W.H DRAWN BY: 08/30/2023 DATE 23-204 DRAWING No | SHEET 1 OF 43 | | | | | | | | | | | | |
|---|---|---|---------------|-------------|-------------|------|---|------------|----------|---|---|---|--|--|--|
| <table border="1" style="width: 100%; border-collapse: collapse;"> <thead> <tr> <th>REV. No</th> <th>DESCRIPTION</th> <th>DATE</th> <th>REV. No</th> <th>DESCRIPTION</th> <th>DATE</th> </tr> </thead> <tbody> <tr> <td style="text-align: center;">1</td> <td>OLD 20-278</td> <td style="text-align: center;">08/30/23</td> <td style="text-align: center;">2</td> <td>-</td> <td style="text-align: center;">-</td> </tr> </tbody> </table> | REV. No | DESCRIPTION | DATE | REV. No | DESCRIPTION | DATE | 1 | OLD 20-278 | 08/30/23 | 2 | - | - | | | |
| REV. No | DESCRIPTION | DATE | REV. No | DESCRIPTION | DATE | | | | | | | | | | |
| 1 | OLD 20-278 | 08/30/23 | 2 | - | - | | | | | | | | | | |



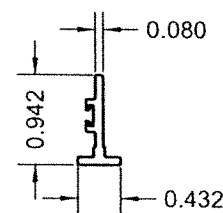
1 FRAME HEAD, JAMB, SILL & MULLION

6063-T6 ALLOY



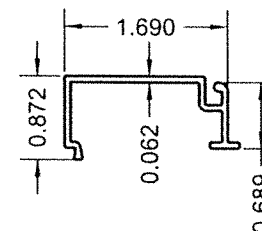
2 MULLION INSERT

6063-T6 ALLOY



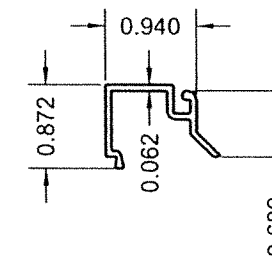
10 GLAZING ADAPTER
FIXED PANEL

6063-T6 ALLOY



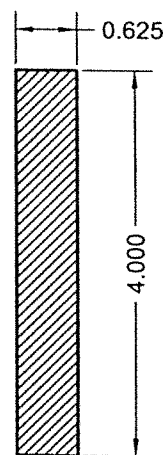
11 FIXED PANEL
GLAZING BEAD
LAMINATED GLASS

6063-T6 ALLOY



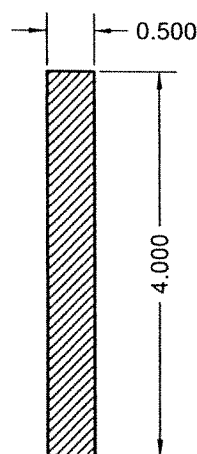
12 FIXED PANEL
GLAZING STOP
INSULATED GLASS

6063-T6 ALLOY



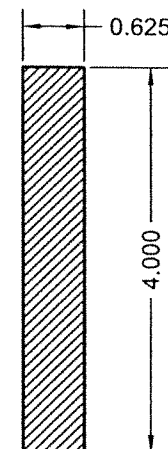
17 5/8" ALUMINUM
REINFORCEMENT

6063-T6 ALLOY



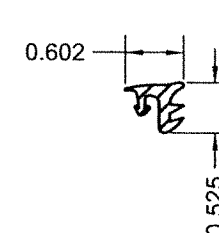
18 1/2" ALUMINUM
REINFORCEMENT

6063-T6 ALLOY



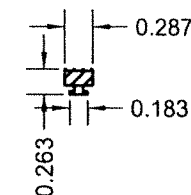
18A 5/8" STEEL
REINFORCEMENT

(EXTENDED PROTOCOL)



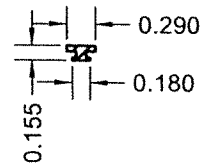
19 WEDGE GASKET

EPDM



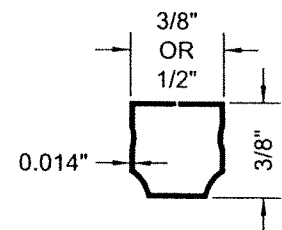
20 SOLID RUBBER
GASKET

NEOPRENE / NYLON



21 GLAZING GASKET

TPE



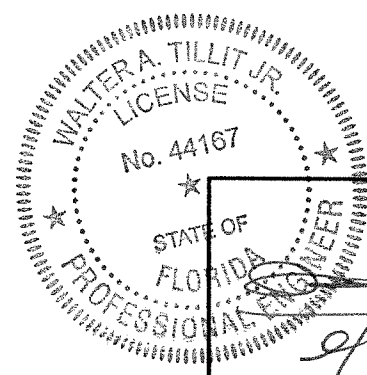
41 INSULATED GLASS
UNIT SPACER

NTS

COMPONENTS: OPTIONAL SYSTEM #1

SCALE: N.T.S

FLORIDA BUILDING CODE (High & Non High Velocity Hurricane Zone)



Walter A. Tillit Jr.
9/19/2023

P.E. SEAL/SIGNATURE/DATE

© 2023 TILTECO INC.

TILTECO INC.

TILLIT TESTING & ENGINEERING COMPANY

6355 N.W. 36th St., Ste. 305 - VIRGINIA GARDENS, FL 33166

Phone : (305) 871-1530 , Fax : (305) 871-1531

e-mail: tilteco@aol.com

CA-0006719

WALTER A. TILLIT Jr., P.E.

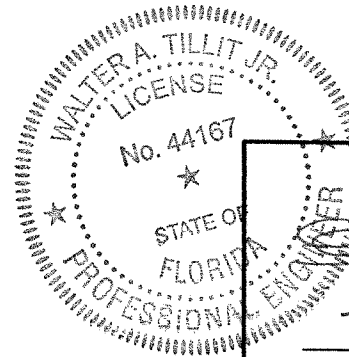
FLORIDA Lic. # 44167

| | | | | | |
|---|-------------|----------|----------------------|-------------|------|
| HIGH IMPACT SERIES JAZZ 70.000 STOREFRONT SYSTEM W/ LARGE & SMALL MISSILE LAMINATED & INSULATED GLASS | | | W.H DRAWN BY: | | |
| <p>290 WEST 78 ROAD HIALEAH, FL 33014 PH: (954)226-5555/(305)558-8103 FAX: (305)558-6665 www.gigwindows.com</p> | | | 08/30/2023 DATE | | |
| | | | 23-204 DRAWING No | | |
| REV. No | DESCRIPTION | DATE | REV. No | DESCRIPTION | DATE |
| 1 | OLD 20-276 | 08/30/23 | 2 | - | - |

BILL OF MATERIALS (SEE GLASS ON SHEET 4)

| COMPONENT # | DESCRIPTION | DIMENSIONS/REMARKS | MATERIAL |
|-------------|--|--|-----------------------|
| ① | FRAME HEAD, JAMB, SILL & MULLION | SEE SHEET 2 | 6063-T6 |
| ② | MULLION INSERT | SEE SHEET 2 | 6063-T6 |
| ⑩ | GLAZING ADAPTER FIXED PANEL | SEE SHEET 2 | 6063-T6 |
| ⑪ | FIXED PANEL GLAZING LAMINATED GLASS | SEE SHEET 2 | 6063-T6 |
| ⑫ | FIXED PANEL GLAZING INSULATED GLASS | SEE SHEET 2 | 6063-T6 |
| ⑰ | 5/8" ALUMINUM REINFORCEMENT | SEE SHEET 2 | 6063-T6 |
| ⑱ | 1/2" ALUMINUM REINFORCEMENT | SEE SHEET 2 | 6063-T6 |
| ⑱A | 5/8" STEEL REINFORCEMENT | SEE SHEET 2 | ASTM A-36 ZINC PLATED |
| ⑲ | WEDGE GASKET | SEE SHEET 2, 3" LONG, LOCATED @ ⑤ @ 8" (MIN.) O.C & 18" (MAX.) O.C | EPDM |
| ⑳ | SOLID RUBBER GASKET | SEE SHEET 2, 3" LONG, LOCATED @ ⑤ @ 8" (MIN.) O.C & 18" (MAX.) O.C | NEOPRENE/NYLON |
| ㉑ | GLAZING GASKET | SEE SHEET 2 | TPE |
| ㉓ | #14 x 1/2" HEX HEAD S.S. TEK SCREW | MULLION INSERT CONNECTION (5" start & 9" max o.c) | STEEL |
| ㉔ | #14 x 2 1/2" H.H SCREW | FRAME ASSEMBLY | STEEL |
| ③① | SETTING BLOCK | 0.122"x0.5" (ULTRAFAB) | E.P.D.M. |
| ③② | FIN SEAL PILE W/ PLASTIC | ULTRAFAB | - |
| ③③ | STRUCTURAL SILICONE DOW CORNING 995 | ALL AROUND GLASS | SILICONE |
| ③⑦ | NON STRUCTURAL SILICONE DOW CORNING CONTRACTORS CONCRETE SEALANT (CCS) | AS SHOWN | SILICONE |
| ④① | INSULATED GLASS UNIT SPACER | SEE SHEET 2 | 3105-H24 ALUMINUM |

OPTIONAL SYSTEM #1



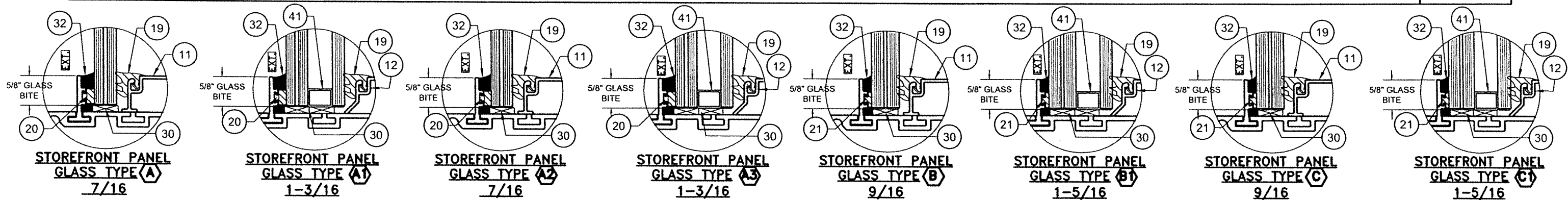
P.E. SEAL/SIGNATURE/DATE

FLORIDA BUILDING CODE (High & Non High Velocity Hurricane Zone)

| © 2023 TILTECO INC. TILTECO INC. TILLIT TESTING & ENGINEERING COMPANY 6355 N.W. 36th St., Ste. 305 - VIRGINIA GARDENS, FL 33166 Phone: (305) 871-1530, Fax: (305) 871-1531 e-mail: tilteco@aol.com CA-0006719 WALTER A. TILLIT Jr., P.E. FLORIDA Lic. # 44167 | HIGH IMPACT SERIES JAZZS 70.000 STOREFRONT SYSTEM W/ LARGE & SMALL MISSILE LAMINATED & INSULATED GLASS | W.H DRAWN BY: | | | | | | | | | | | | |
|--|--|--------------------|---------|-------------|-------------|------|---|------------|----------|---|---|---|----------------------|---------------|
| | 290 WEST 78 ROAD HIALEAH, FL 33014 PH: (954)226-5555/(305)558-8103 FAX: (305)558-6665 www.gigwindows.com | 08/30/2023 DATE | | | | | | | | | | | | |
| <table border="1"> <thead> <tr> <th>REV. No</th> <th>DESCRIPTION</th> <th>DATE</th> <th>REV. No</th> <th>DESCRIPTION</th> <th>DATE</th> </tr> </thead> <tbody> <tr> <td>1</td> <td>OLD 20-276</td> <td>08/30/23</td> <td>2</td> <td>-</td> <td>-</td> </tr> </tbody> </table> | REV. No | DESCRIPTION | DATE | REV. No | DESCRIPTION | DATE | 1 | OLD 20-276 | 08/30/23 | 2 | - | - | 23-204 DRAWING No | SHEET 3 of 43 |
| REV. No | DESCRIPTION | DATE | REV. No | DESCRIPTION | DATE | | | | | | | | | |
| 1 | OLD 20-276 | 08/30/23 | 2 | - | - | | | | | | | | | |

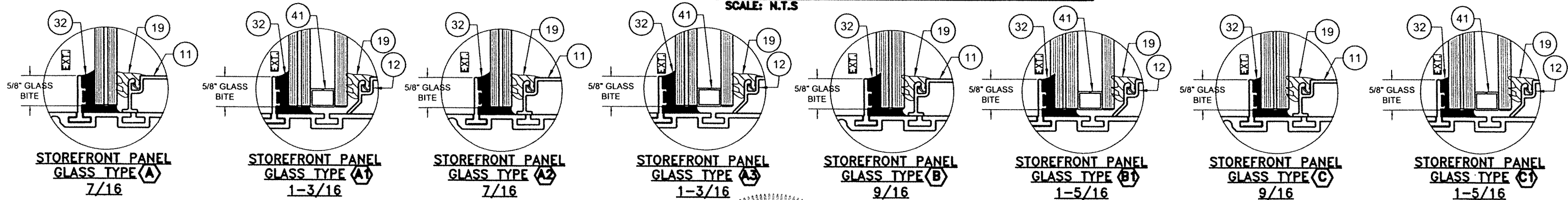
BILL OF MATERIALS FOR GLASS

| COMPONENT # | DESCRIPTION | MATERIAL |
|-------------|--|----------|
| A | 7/16" NOMINAL LAMINATED GLASS W/ 3/16" H.S. GLASS + 0.090" TROSIFOL PVB INTERLAYER BY KURARAY AMERICA, INC. + 3/16" H.S. GLASS. | GLASS |
| A1 | 1-3/16" NOMINAL INSULATED-LAMINATED GLASS W/ 3/16" H.S. GLASS + 0.090" TROSIFOL PVB INTERLAYER BY KURARAY AMERICA, INC. + 3/16" H.S. GLASS + 1/2" ARGON SPACER + 1/4" TEMPERED GLASS IN BOARD. | GLASS |
| A2 | 7/16" NOMINAL LAMINATED GLASS W/ 3/16" H.S. GLASS + 0.090" SENTRYGLAS® INTERLAYER BY KURARAY AMERICA, INC. + 3/16" H.S. GLASS. | GLASS |
| A3 | 1-3/16" NOMINAL INSULATED-LAMINATED GLASS W/ 3/16" H.S. GLASS + 0.090" SENTRYGLAS® INTERLAYER BY KURARAY AMERICA, INC. + 3/16" H.S. GLASS + 1/2" ARGON SPACER + 1/4" TEMPERED GLASS IN BOARD. | GLASS |
| B | 9/16" NOMINAL LAMINATED GLASS W/ 1/4" H.S. GLASS + 0.090" TROSIFOL PVB INTERLAYER BY KURARAY AMERICA, INC. + 1/4" H.S. GLASS. | GLASS |
| B1 | 1 5/16" NOMINAL INSULATED-LAMINATED GLASS W/ 1/4" H.S. GLASS + 0.090" TROSIFOL PVB INTERLAYER BY KURARAY AMERICA, INC. + 1/4" H.S. GLASS + 1/2" ARGON SPACER + 1/4" TEMPERED GLASS IN BOARD. | GLASS |
| C | 9/16" NOMINAL LAMINATED GLASS W/ 1/4" H.S. GLASS + 0.090" SENTRYGLAS® INTERLAYER BY KURARAY AMERICA, INC. + 1/4" H.S. GLASS. | GLASS |
| C1 | 1 5/16" NOMINAL INSULATED-LAMINATED GLASS W/ 1/4" H.S. GLASS + 0.090" SENTRYGLAS® INTERLAYER BY KURARAY AMERICA, INC. + 1/4" H.S. GLASS + 1/2" ARGON SPACER + 1/4" TEMPERED GLASS IN BOARD. | GLASS |



GLAZING DETAILS AT SETTING BLOCKS AT STOREFRONT

SCALE: N.T.S



GLAZING DETAILS IN BETWEEN SETTING BLOCKS AT STOREFRONT

SCALE: N.T.S

OPTIONAL SYSTEM #1

WALTER A. TILLIT JR.
 No. 44167
 STATE OF FLORIDA
 PROFESSIONAL ENGINEER
 1/9/2023
 P.E. SEAL/SIGNATURE/DATE

© 2023 TILTECO INC.
TILTECO INC.
 TILLIT TESTING & ENGINEERING COMPANY
 6355 N.W. 36th St., Ste. 305 - VIRGINIA GARDENS, FL 33166
 Phone : (305) 871-1530 , Fax : (305) 871-1531
 e-mail: tilteco@aol.com
 CA-0006719
 WALTER A. TILLIT JR., P.E.
 FLORIDA Lic. # 44167

HIGH IMPACT SERIES JAZZ 70.000 STOREFRONT SYSTEM W/ LARGE & SMALL MISSILE LAMINATED & INSULATED GLASS

 290 WEST 78 ROAD
 HIALEAH, FL 33014
 PH: (954)226-5555/(305)558-8103
 FAX: (305)558-6665
 www.gigwindows.com

W.H
 DRAWN BY:
 08/30/2023
 DATE
23-204
 DRAWING No
 SHEET 4 OF 43

| REV. No | DESCRIPTION | DATE | REV. No | DESCRIPTION | DATE |
|---------|-------------|----------|---------|-------------|------|
| 1 | OLD 20-278 | 08/30/23 | 2 | - | - |

FLORIDA BUILDING CODE (High & Non High Velocity Hurricane Zone)

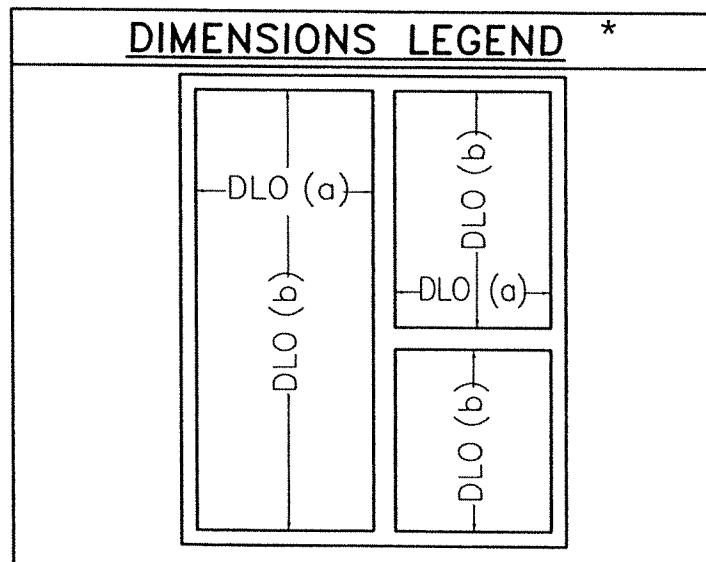
**MAXIMUM DESIGN PRESSURE RATING (psf) SCHEDULE FOR A GIVEN GLASS TYPE
AND GLASS D.L.O PANEL DIMENSIONS "a" (in) x "b" (in) (SEE LEGEND)**

| GLASS TYPE A₁ & A₂ : WET GLAZED | | |
|---|--------------------|-------------------------------------|
| DIMENSION "a" * | DIMENSION "b" * | MAXIMUM DESIGN PRESSURE RATING(psf) |
| 6" | from 6" to 60" | ±66.0 |
| 9" | from 9" to 90" | ±66.0 |
| 12" | from 12" to 120" | ±66.0 |
| 15" | from 15" to 150" | ±66.0 |
| 18" | from 18" to 180" | ±66.0 |
| 21" | from 21" to 210" | ±66.0 |
| 24" | from 24" to 190" | ±66.0 |
| 27" | from 27" to 168" | ±66.0 |
| 30" | from 30" to 144" | ±66.0 |
| 32" | from 32" to 143" | ±66.0 |
| 34" | from 34" to 135" | ±66.0 |
| 36" | from 36" to 127" | ±66.0 |
| 38" | from 38" to 120" | ±66.0 |
| 40" | from 38" to 114" | ±66.0 |
| 42" | from 42" to 109" | ±66.0 |
| 44" | from 44" to 104" | ±66.0 |
| 45" | from 45" to 101.5" | ±64.9 |
| 46" | from 46" to 99.5" | ±63.5 |
| 48" | from 48" to 95" | ±60.8 |
| 50" | from 50" to 91.5" | ±58.4 |
| 52" | from 52" to 88.0" | ±56.2 |
| 54" | from 54" to 84.5" | ±54.1 |
| 56" | from 56" to 81.5" | ±52.1 |
| 57" | from 57" to 80" | ±51.2 |

| GLASS TYPE A₂ & A₃ : WET GLAZED | | |
|---|-----------------------|-------------------------------------|
| DIMENSION "a" * | DIMENSION "b" * | MAXIMUM DESIGN PRESSURE RATING(psf) |
| 6" | from 6" to 60" | ±55.0 |
| 9" | from 9" to 90" | ±55.0 |
| 12" | from 12" to 120" | ±55.0 |
| 15" | from 15" to 150" | ±55.0 |
| 18" | from 18" to 180" | ±55.0 |
| 21" | from 21" to 210" | ±55.0 |
| 24" | from 24" to 240" | ±55.0 |
| 27" | from 27" to 270" | ±55.0 |
| 30" | from 30" to 144" | ±55.0 |
| 32" | from 32" to 144" | ±55.0 |
| 34" | from 34" to 144" | ±55.0 |
| 36" | from 36" to 144" | ±55.0 |
| 38" | from 38" to 144" | ±55.0 |
| 40" | from 38" to 144" | ±55.0 |
| 42" | from 42" to 144" | ±55.0 |
| 44" | from 44" to 144" | ±55.0 |
| 45" | from 45" to 144" | ±55.0 |
| 46" | from 46" to 144" | ±54.3 |
| 48" | from 48" to 144" | ±55.0 |
| 50" | from 50" to 144" | ±55.0 |
| 52" | from 52" to 144" | ±55.0 |
| 54" | from 54" to 144" | ±55.0 |
| 56.25" | from 56.25" to 139.5" | ±55.0 |
| 57" | from 57" to 137.5" | ±54.3 |

| GLASS TYPE B & B₁ : WET GLAZED | | |
|---|--------------------|-------------------------------------|
| DIMENSION "a" * | DIMENSION "b" * | MAXIMUM DESIGN PRESSURE RATING(psf) |
| 6" | from 6" to 60" | ±90.0 |
| 9" | from 9" to 90" | ±90.0 |
| 12" | from 12" to 120" | ±90.0 |
| 15" | from 15" to 150" | ±90.0 |
| 18" | from 18" to 180" | ±90.0 |
| 21" | from 21" to 169" | ±90.0 |
| 24" | from 24" to 148" | ±90.0 |
| 27" | from 27" to 131" | ±90.0 |
| 30" | from 30" to 119" | ±90.0 |
| 32" | from 32" to 111.5" | ±90.0 |
| 34" | from 34" to 105" | ±90.0 |
| 36" | from 36" to 99" | ±90.0 |
| 38" | from 38" to 94" | ±90.0 |
| 40" | from 38" to 89" | ±90.0 |
| 42" | from 42" to 85" | ±90.0 |
| 44" | from 44" to 81" | ±90.0 |
| 45" | from 45" to 79.5" | ±90.0 |
| 46" | from 46" to 77.5" | ±88.0 |
| 48" | from 48" to 74.5" | ±84.4 |
| 50" | from 50" to 71" | ±81.0 |
| 52" | from 52" to 68.5" | ±77.9 |
| 54" | from 54" to 66" | ±75.0 |
| 56" | from 56" to 63.5" | ±72.3 |
| 57" | from 57" to 62.5" | ±71.1 |

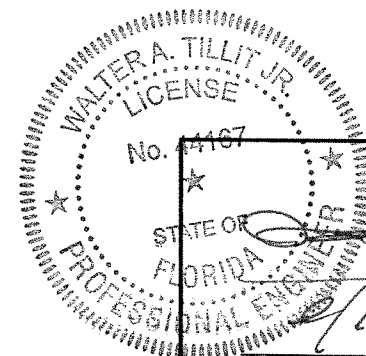
| GLASS TYPE C & C₁ : WET GLAZED | | |
|---|--------------------|-------------------------------------|
| DIMENSION "a" * | DIMENSION "b" * | MAXIMUM DESIGN PRESSURE RATING(psf) |
| 6" | from 6" to 60" | +90,-180 |
| 9" | from 9" to 90" | +90,-180 |
| 12" | from 12" to 120" | +90,-180 |
| 15" | from 15" to 150" | +90,-180 |
| 18" | from 18" to 180" | +90,-180 |
| 21" | from 21" to 210" | +90,-180 |
| 24" | from 24" to 188" | +90,-180 |
| 27" | from 27" to 167" | +90,-180 |
| 30" | from 30" to 144" | +90,-180 |
| 32" | from 32" to 141.5" | +90,-180 |
| 34" | from 34" to 133" | +90,-180 |
| 36" | from 36" to 126" | +90,-180 |
| 38" | from 38" to 119" | +90,-180 |
| 40" | from 38" to 113" | +90,-180 |
| 42" | from 42" to 108" | +90,-180 |
| 44" | from 44" to 103" | +90,-180 |
| 45" | from 45" to 100.5" | +90,-180 |
| 46" | from 46" to 98.5" | +90,-180 |
| 48" | from 48" to 94" | +90,-180 |
| 50" | from 50" to 90.5" | +90,-180 |
| 52" | from 52" to 87" | +90,-180 |
| 54" | from 54" to 84" | +90,-180 |
| 56" | from 56" to 80.5" | +90,-180 |
| 57" | from 57" to 79.5" | +90,-180 |



* SIDE "a" IS ALWAYS EQUAL OR SHORTER THAN "b".
"a", "b" MAY BE ORIENTED IN ANY DIRECTION.

OPTIONAL SYSTEM #1

(SEE SHEET 4 FOR GLASS CONFIGURATION)



P.E. SEAL/SIGNATURE/DATE

FLORIDA BUILDING CODE (High & Non High Velocity Hurricane Zone)

© 2023 TILTECO INC.

TILTECO INC.

TILLIT TESTING & ENGINEERING COMPANY
6355 N.W. 36th. St., Ste. 305 - VIRGINIA GARDENS, FL 33166
Phone : (305) 871-1530 , Fax : (305) 871-1531
e-mail: tiltco@aol.com
CA-0006719
WALTER A. TILLIT JR., P.E.
FLORIDA Lic. # 44167

HIGH IMPACT SERIES JAZZ 70,000 STOREFRONT SYSTEM W/
LARGE & SMALL MISSILE LAMINATED & INSULATED GLASS



290 WEST 78 ROAD
HIALEAH, FL 33014
PH: (954)226-5555/(305)558-8103
FAX: (305)558-6665
www.gigwindows.com

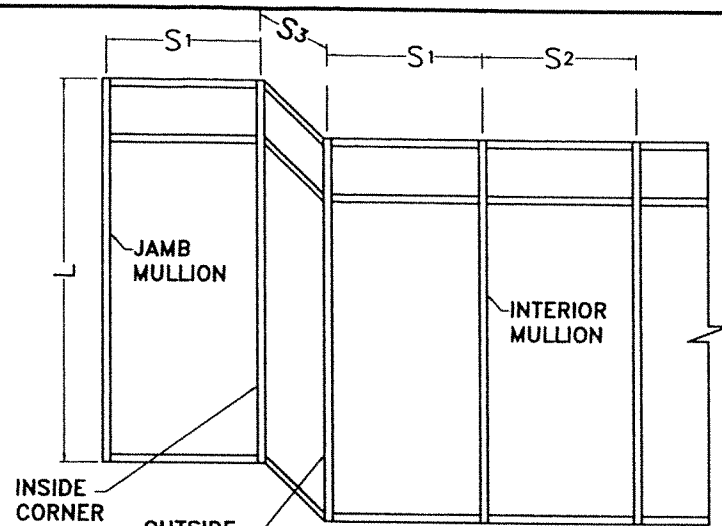
W.H
DRAWN BY:

08/30/2023
DATE

23-204
DRAWING No

| REV. No | DESCRIPTION | DATE | REV. No | DESCRIPTION | DATE |
|---------|-------------|----------|---------|-------------|------|
| 1 | OLD 20-276 | 08/30/23 | 2 | - | - |

SHEET 6 of 43

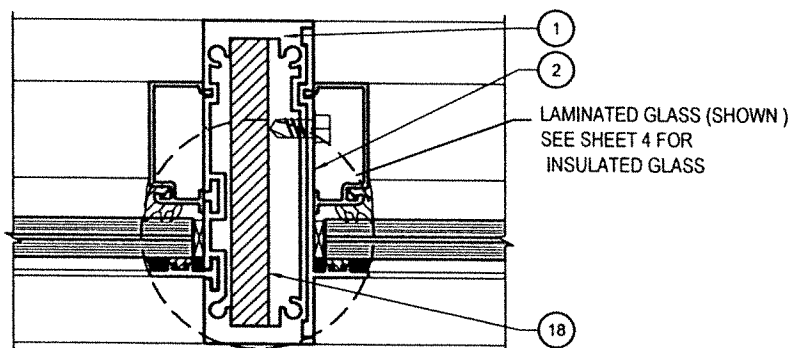
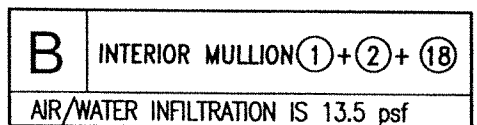
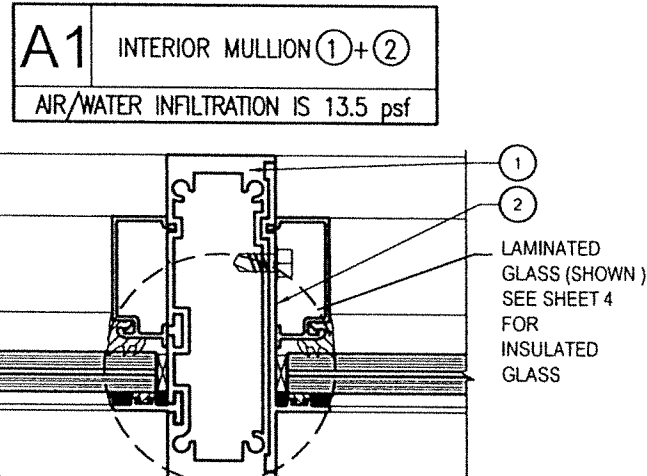
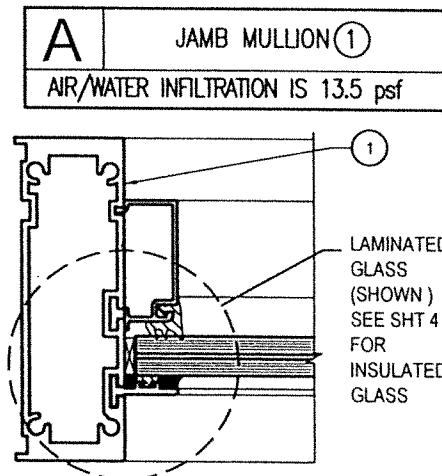


ISOMETRIC

L = MULLION SPAN
EFFECTIVE SPACING b = $\frac{S_1 + S_2}{2}$ (SEE SCHEDULE.)
 (FOR INTERIOR MULLION)
EFFECTIVE SPACING b = $\frac{S_1 \text{ AND } S_3}{2}$ (SEE SCHEDULE.)
 (FOR CORNER MULLION)
EFFECTIVE SPACING b = $\frac{S_1}{2}$ (SEE SCHEDULE.)
 (FOR JAMB MULLION)

DEFINITIONS

- A** : UNREINFORCED JAMB OR CORNER MULLION (SEE SHEET 5 FOR APPLICABLE SECTIONS)
- A1** : UNREINFORCED INTERIOR OR CORNER MULLION (SEE SHEET 5 FOR APPLICABLE SECTIONS)
- B** : REINFORCED INTERIOR OR CORNER MULLION (SEE SHEET 5 FOR APPLICABLE SECTIONS)
- E** : CORNER MULLION (EITHER INSIDE OR OUTSIDE) MADE OF (2)A OR (2)A1 OR (2)B MULLIONS



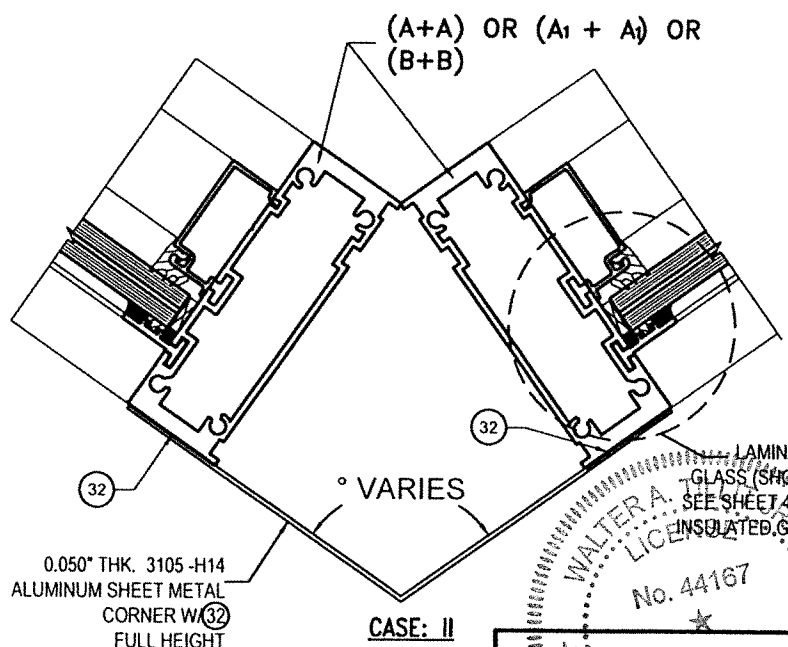
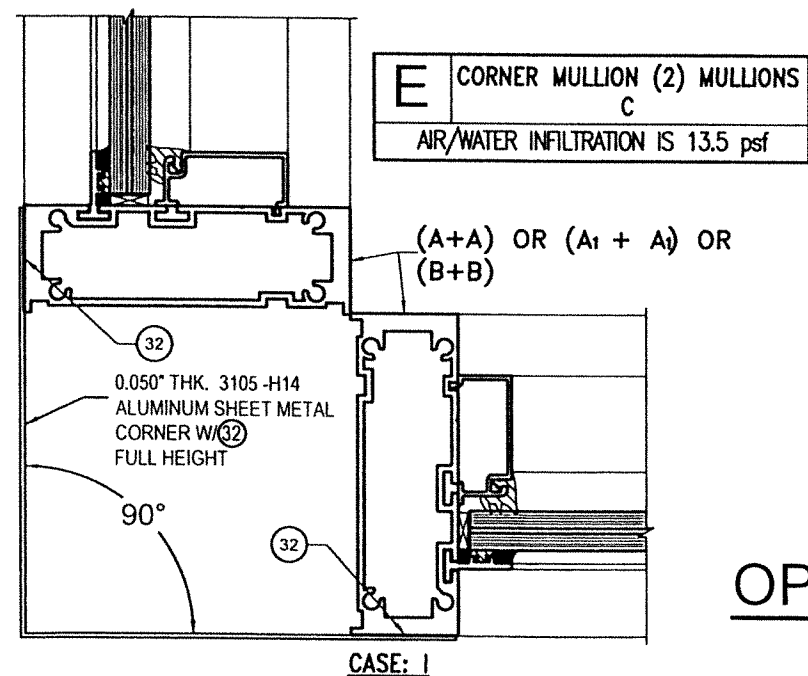
MAXIMUM MULLION SPAN "L"(FT) SCHEDULE FOR A GIVEN DESIGN PRESSURE RATING AND A GIVEN MULLION EFFECTIVE SPACING "b" *

| MAXIMUM DESIGN PRESSURE RATING (psf) | EFFECTIVE SPACING FOR A or E ▲ "b" (Ft-in) | EFFECTIVE SPACING FOR A1 or B "b" (Ft-in) | MAX. SPAN | MAX. SPAN | MAX. SPAN |
|--------------------------------------|--|---|--------------------------|-----------------------------|--------------------------|
| | | | A or E (A+A) "L" (Ft-in) | A1 or E (A1+A1) "L" (Ft-in) | B or E (B+B) "L" (Ft-in) |
| 47.8 | 1'-6" | 3'-0" | 11'-8" | 9'-0" | 11'-8" |
| | 2'-0" | 4'-0" | 10'-7" | 9'-0" | 10'-1" |
| | 2'-6" | 5'-0" | 9'-6" | 9'-0" | 9'-0" |
| 50.0 | 1'-6" | 3'-0" | 11'-8" | 9'-0" | 11'-5" |
| | 2'-0" | 4'-0" | 10'-4" | 9'-0" | 9'-10" |
| | 2'-6" | 5'-0" | 9'-3" | 9'-0" | 8'-10" |
| 55.0 | 1'-6" | 3'-0" | 11'-4" | 9'-0" | 10'-10" |
| | 2'-0" | 4'-0" | 9'-10" | 9'-0" | 9'-5" |
| | 2'-6" | 5'-0" | 8'-7" | 8'-10" | 8'-1" |
| 60.0 | 1'-6" | 3'-0" | 10'-11" | 9'-0" | 10'-5" |
| | 2'-0" | 4'-0" | 9'-5" | 9'-0" | 9'-1" |
| | 2'-6" | 5'-0" | 8'-5" | 7'-11" | 8'-1" |
| 65.0 | 1'-6" | 3'-0" | 10'-6" | 9'-0" | 10'-0" |
| | 2'-0" | 4'-0" | 9'-1" | 9'-0" | 8'-8" |
| | 2'-6" | 5'-0" | 7'-4" | 7'-4" | 7'-9" |
| 70.0 | 1'-6" | 3'-0" | 10'-1" | 9'-0"* | 9'-8" |
| | 2'-0" | 4'-0" | 8'-6" | 9'-0"* | 8'-4" |
| | 2'-6" | 5'-0" | 6'-9" | 7'-2"* | 7'-2" |
| 75.0 | 1'-6" | 3'-0" | 9'-9" | - | 9'-4" |
| | 2'-0" | 4'-0" | 7'-11" | - | 8'-1" |
| | 2'-6" | 5'-0" | 6'-4" | - | 6'-9" |
| 80.0 | 1'-6" | 3'-0" | 9'-5" | - | 9'-0" |
| | 2'-0" | 4'-0" | 7'-5" | - | 7'-10" |
| | 2'-6" | 5'-0" | 6'-0" | - | 6'-4" |
| 85.0 | 1'-6" | 3'-0" | 9'-4" | - | 8'-9" |
| | 2'-0" | 4'-0" | 7'-0" | - | 7'-5" |
| | 2'-6" | 5'-0" | 5'-7" | - | 5'-11" |
| 90.0 | 1'-6" | 3'-0" | 8'-9" | - | 8'-7" |
| | 2'-0" | 4'-0" | 6'-7" | - | 6'-10" |
| | 2'-6" | 5'-0" | 5'-3" | - | 5'-7" |

* ONLY VALID FOR UP TO 66 psf.

▲ VALID FOR "E" CORNER MULLION CONSISTING OF (A+A) OR (A1+A1) OR (B+B)

* MAXIMUM POSITIVE A.S.D. DESIGN PRESSURE RATING IS 90 psf FOR MULLION A, A1 & B.



OPTIONAL SYSTEM #1

STATE OF FLORIDA
 PROFESSIONAL ENGINEER
 No. 44167
 WALTER A. TILLIT JR., P.E.
 P.E. SEAL/SIGNATURE/DATE

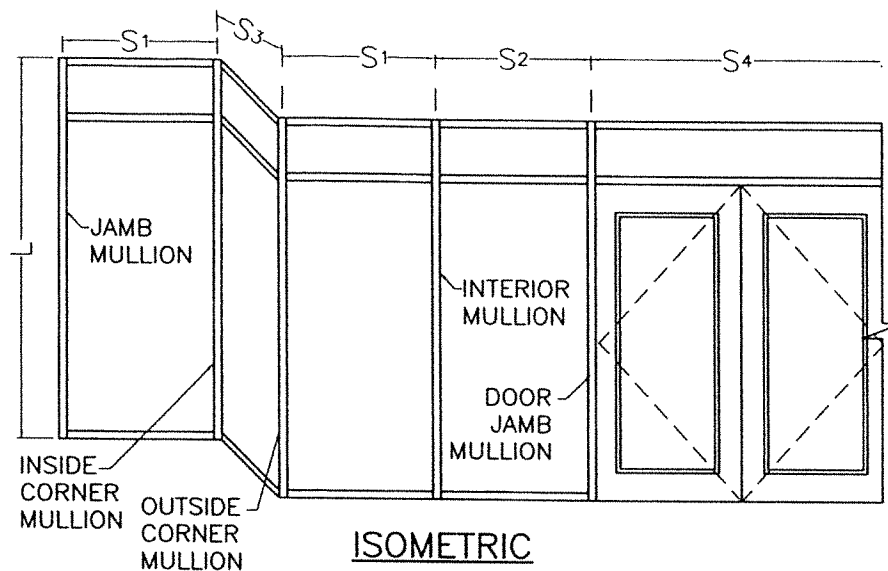
FLORIDA BUILDING CODE (High & Non High Velocity Hurricane Zone)

© 2023 TILTECO INC.

TILTECO INC.
 TILLIT TESTING & ENGINEERING COMPANY
 6355 N.W. 36th St., Ste. 305 - VIRGINIA GARDENS, FL 33166
 Phone: (305) 871-1530, Fax: (305) 871-1531
 e-mail: tilteco@aol.com
 CA-0006719
 WALTER A. TILLIT JR., P.E.
 FLORIDA Lic. # 44167

HIGH IMPACT SERIES JAZZ 70.000 STOREFRONT SYSTEM W/ LARGE & SMALL MISSILE LAMINATED & INSULATED GLASS
 W.H. DRAWN BY:
 08/30/2023 DATE
23-204 DRAWING No
 290 WEST 78 ROAD HIALEAH, FL. 33014
 PH: (954)226-5555/(305)558-8103
 FAX: (305)558-6665
 www.gigwindows.com

| REV. No | DESCRIPTION | DATE | REV. No | DESCRIPTION | DATE |
|---------|-------------|----------|---------|-------------|------|
| 1 | OLD 20-276 | 08/30/23 | 2 | - | - |

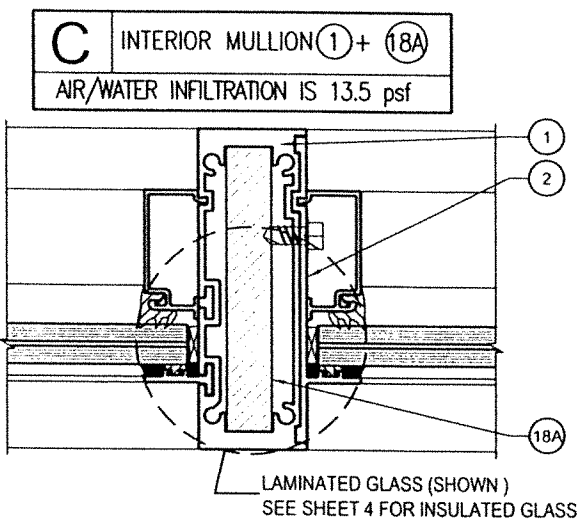


ISOMETRIC

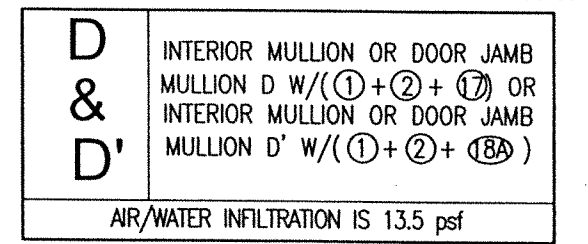
L = MULLION SPAN
 EFFECTIVE SPACING b = $\frac{S_1 + S_2}{2}$ (SEE SCHEDULE,) (FOR INTERIOR MULLION)
 EFFECTIVE SPACING b = $\frac{S_1}{2}$ AND $\frac{S_3}{2}$ (SEE SCHEDULE) (FOR CORNER MULLION)
 EFFECTIVE SPACING b = $\frac{S_2 + S_4}{2}$ (SEE SCHEDULE) (FOR DOOR JAMB MULLION)

DEFINITIONS

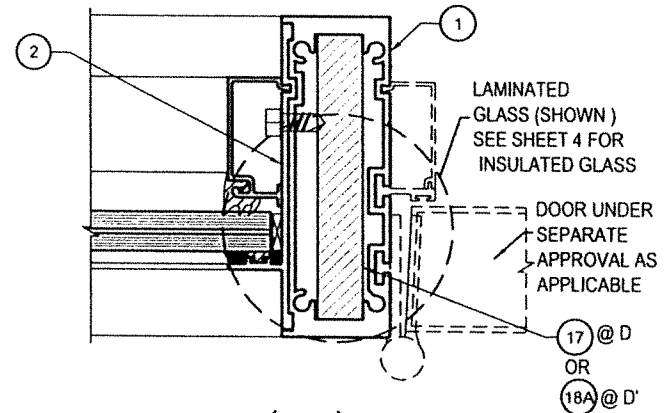
C : REINFORCED INTERIOR OR CORNER MULLION (SEE SHEET 5 FOR APPLICABLE SECTIONS)
D, D' : REINFORCED DOOR JAMB OR INTERIOR MULLIONS (SEE SHEET 5 FOR APPLICABLE SECTIONS)
E : CORNER MULLION (EITHER INSIDE OR OUTSIDE) MADE OF (2) C MULLIONS.



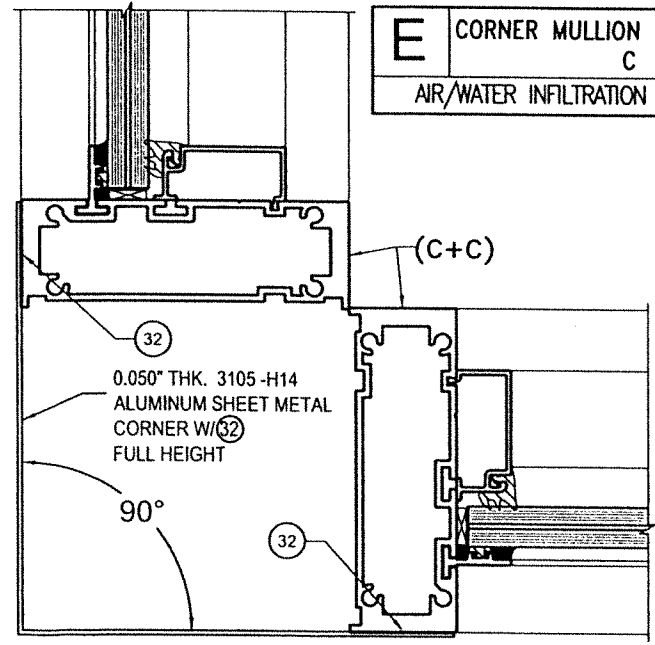
C INTERIOR MULLION (1) + (18A)
 AIR/WATER INFILTRATION IS 13.5 psf



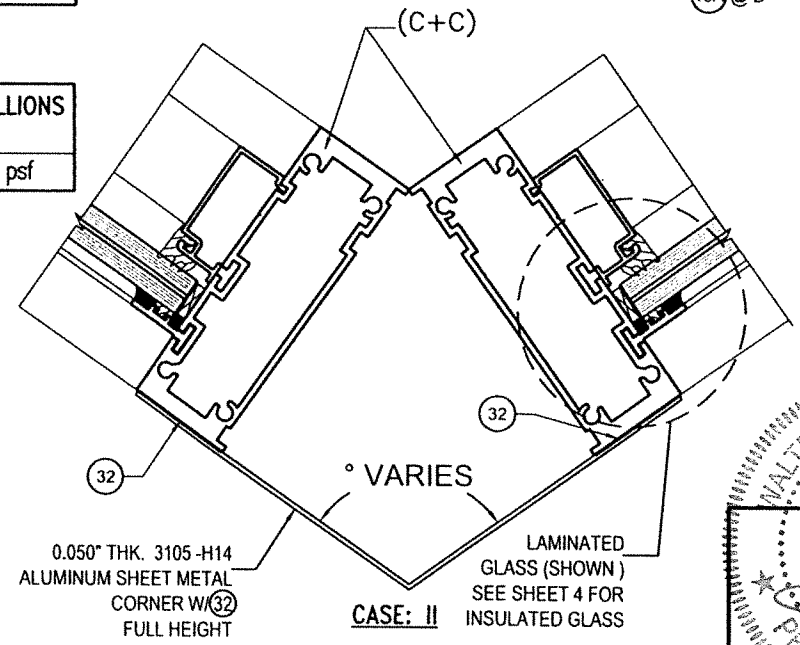
D & D' INTERIOR MULLION OR DOOR JAMB MULLION D W/((1)+(2)+(17)) OR INTERIOR MULLION OR DOOR JAMB MULLION D' W/((1)+(2)+(18A))
 AIR/WATER INFILTRATION IS 13.5 psf



E CORNER MULLION (2) MULLIONS C
 AIR/WATER INFILTRATION IS 13.5 psf



CASE: I

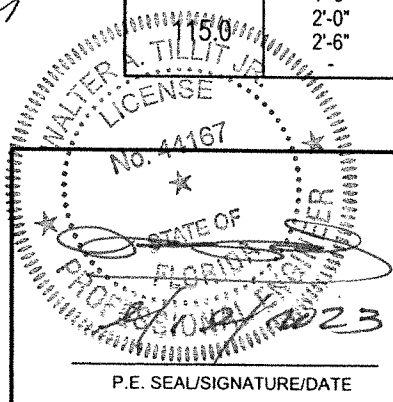


OPTIONAL SYSTEM #1

MAXIMUM MULLION SPAN "L"(FT) SCHEDULE FOR A GIVEN DESIGN PRESSURE RATING AND A GIVEN MULLION EFFECTIVE SPACING "b" *

| MAXIMUM ASD DESIGN PRESSURE RATING (psf) | EFFECTIVE SPACING FOR E (C+C) "b" (Ft-in) | MAX. SPAN E (C+C) "L" (Ft-in) | EFFECTIVE SPACING FOR C, D & D' "b" (Ft-in) | | MAX. SPAN C & D' "L" (Ft-in) | | MAX. SPAN D "L" (Ft-in) | MAXIMUM ASD DESIGN PRESSURE RATING (psf) | EFFECTIVE SPACING FOR E (C+C) "b" (Ft-in) | MAX. SPAN E (C+C) "L" (Ft-in) | EFFECTIVE SPACING FOR C & D' "b" (Ft-in) | | MAX. SPAN C & D' | |
|--|---|-------------------------------|---|-------|------------------------------|---------|-------------------------|--|---|-------------------------------|--|-------|------------------|---------|
| | | | C | D&D' | C | D' | | | | | C | D' | C | D' |
| 47.8 | 1'-6" | 12'-0" | 3'-0" | 3'-0" | 12'-0" | 12'-0" | 11'-8" | 120.0 | 1'-6" | 12'-0" | 3'-0" | 3'-0" | 10'-11" | 10'-11" |
| | 2'-0" | 12'-0" | 4'-0" | 4'-0" | 12'-0" | 12'-0" | 11'-2" | | 2'-0" | 12'-0" | 4'-0" | 4'-0" | 9'-7" | 9'-7" |
| | 2'-6" | 12'-0" | 5'-0" | 5'-0" | 12'-0" | 12'-0" | 10'-5" | | 2'-6" | 11'-7" | 5'-0" | 5'-0" | 8'-7" | 8'-7" |
| | - | - | - | 6'-0" | - | - | 9'-10" | | - | - | - | 6'-0" | - | 7'-10" |
| 50.0 | 1'-6" | 12'-0" | 3'-0" | 3'-0" | 12'-0" | 12'-0" | 11'-8" | 125.0 | 1'-6" | 12'-0" | 3'-0" | 3'-0" | 10'-9" | 10'-9" |
| | 2'-0" | 12'-0" | 4'-0" | 4'-0" | 12'-0" | 12'-0" | 11'-1" | | 2'-0" | 12'-0" | 4'-0" | 4'-0" | 9'-5" | 9'-5" |
| | 2'-6" | 12'-0" | 5'-0" | 5'-0" | 12'-0" | 12'-0" | 10'-3" | | 2'-6" | 11'-5" | 5'-0" | 5'-0" | 8'-5" | 8'-5" |
| | - | - | - | 6'-0" | - | - | 9'-9" | | - | - | - | 6'-0" | - | 7'-8" |
| 55.0 | 1'-6" | 12'-0" | 3'-0" | 3'-0" | 12'-0" | 12'-0" | 11'-8" | 130.0 | 1'-6" | 12'-0" | 3'-0" | 3'-0" | 10'-7" | 10'-7" |
| | 2'-0" | 12'-0" | 4'-0" | 4'-0" | 12'-0" | 12'-0" | 10'-9" | | 2'-0" | 12'-0" | 4'-0" | 4'-0" | 9'-3" | 9'-3" |
| | 2'-6" | 12'-0" | 5'-0" | 5'-0" | 11'-10" | 11'-10" | 9'-6" | | 2'-6" | 11'-3" | 5'-0" | 5'-0" | 8'-3" | 8'-3" |
| | - | - | - | 6'-0" | - | - | 9'-5" | | - | - | - | 6'-0" | - | 7'-6" |
| 60.0 | 1'-6" | 12'-0" | 3'-0" | 3'-0" | 12'-0" | 12'-0" | 11'-8" | 135.0 | 1'-6" | 12'-0" | 3'-0" | 3'-0" | 10'-6" | 10'-6" |
| | 2'-0" | 12'-0" | 4'-0" | 4'-0" | 12'-0" | 12'-0" | 10'-5" | | 2'-0" | 12'-0" | 4'-0" | 4'-0" | 9'-0" | 9'-0" |
| | 2'-6" | 12'-0" | 5'-0" | 5'-0" | 11'-6" | 11'-6" | 9'-8" | | 2'-6" | 11'-1" | 5'-0" | 5'-0" | 8'-1" | 8'-1" |
| | - | - | - | 6'-0" | - | - | 10'-7" | | - | - | - | 6'-0" | - | 7'-4" |
| 65.0 | 1'-6" | 12'-0" | 3'-0" | 3'-0" | 12'-0" | 12'-0" | 11'-2" | 140.0 | 1'-6" | 12'-0" | 3'-0" | 3'-0" | 10'-3" | 10'-3" |
| | 2'-0" | 12'-0" | 4'-0" | 4'-0" | 12'-0" | 12'-0" | 10'-2" | | 2'-0" | 11'-10" | 4'-0" | 4'-0" | 8'-10" | 8'-10" |
| | 2'-6" | 12'-0" | 5'-0" | 5'-0" | 11'-3" | 11'-3" | 9'-5" | | 2'-6" | 11'-0" | 5'-0" | 5'-0" | 8'-0" | 8'-0" |
| | - | - | - | 6'-0" | - | - | 8'-11" | | - | - | - | 6'-0" | - | 7'-3" |
| 70.0 | 1'-6" | 12'-0" | 3'-0" | 3'-0" | 12'-0" | 12'-0" | 10'-10" | 145.0 | 1'-6" | 12'-0" | 3'-0" | 3'-0" | 10'-0" | 10'-0" |
| | 2'-0" | 12'-0" | 4'-0" | 4'-0" | 11'-9" | 11'-9" | 9'-10" | | 2'-0" | 11'-8" | 4'-0" | 4'-0" | 8'-9" | 8'-9" |
| | 2'-6" | 12'-0" | 5'-0" | 5'-0" | 10'-11" | 10'-11" | 9'-2" | | 2'-6" | 10'-10" | 5'-0" | 5'-0" | 7'-10" | 7'-10" |
| | - | - | - | 6'-0" | - | - | 8'-8" | | - | - | - | 6'-0" | - | 7'-2" |
| 75.0 | 1'-6" | 12'-0" | 3'-0" | 3'-0" | 12'-0" | 12'-0" | 10'-7" | 150.0 | 1'-6" | 12'-0" | 3'-0" | 3'-0" | 9'-11" | 9'-11" |
| | 2'-0" | 12'-0" | 4'-0" | 4'-0" | 11'-6" | 11'-6" | 9'-8" | | 2'-0" | 11'-7" | 4'-0" | 4'-0" | 8'-7" | 8'-7" |
| | 2'-6" | 12'-0" | 5'-0" | 5'-0" | 10'-8" | 10'-8" | 9'-0" | | 2'-6" | 10'-9" | 5'-0" | 5'-0" | 7'-7" | 7'-7" |
| | - | - | - | 6'-0" | - | - | 8'-6" | | - | - | - | 6'-0" | - | 7'-0" |
| 80.0 | 1'-6" | 12'-0" | 3'-0" | 3'-0" | 12'-0" | 12'-0" | 10'-5" | 155.0 | 1'-6" | 12'-0" | 3'-0" | 3'-0" | 9'-9" | 9'-9" |
| | 2'-0" | 12'-0" | 4'-0" | 4'-0" | 11'-4" | 11'-3" | 9'-6" | | 2'-0" | 11'-5" | 4'-0" | 4'-0" | 8'-5" | 8'-5" |
| | 2'-6" | 12'-0" | 5'-0" | 5'-0" | 10'-6" | 10'-6" | 8'-8" | | 2'-6" | 10'-7" | 5'-0" | 5'-0" | 7'-6" | 7'-6" |
| | - | - | - | 6'-0" | - | - | 8'-4" | | - | - | - | 6'-0" | - | - |
| 85.0 | 1'-6" | 12'-0" | 3'-0" | 3'-0" | 12'-0" | 12'-0" | 10'-2" | 160.0 | 1'-6" | 12'-0" | 3'-0" | 3'-0" | 9'-7" | 9'-7" |
| | 2'-0" | 12'-0" | 4'-0" | 4'-0" | 11'-4" | 11'-4" | 9'-5" | | 2'-0" | 11'-4" | 4'-0" | 4'-0" | 8'-4" | 8'-4" |
| | 2'-6" | 12'-0" | 5'-0" | 5'-0" | 10'-2" | 10'-2" | 8'-5" | | 2'-6" | 10'-6" | 5'-0" | 5'-0" | 7'-5" | 7'-5" |
| | - | - | - | 6'-0" | - | - | 8'-2" | | - | - | - | 6'-0" | - | - |
| 90.0 | 1'-6" | 12'-0" | 3'-0" | 3'-0" | 11'-11" | 11'-11" | 10'-0" | 165.0 | 1'-6" | 12'-0" | 3'-0" | 3'-0" | 9'-5" | 9'-5" |
| | 2'-0" | 12'-0" | 4'-0" | 4'-0" | 10'-10" | 10'-10" | 9'-1" | | 2'-0" | 11'-3" | 4'-0" | 4'-0" | 8'-2" | 8'-2" |
| | 2'-6" | 12'-0" | 5'-0" | 5'-0" | 9'-11" | 9'-11" | 8'-2" | | 2'-6" | 10'-4" | 5'-0" | 5'-0" | 7'-4" | 7'-4" |
| | - | - | - | 6'-0" | - | - | 8'-0" | | - | - | - | 6'-0" | - | - |
| 95.0 | 1'-6" | 12'-0" | 3'-0" | 3'-0" | 11'-9" | 11'-9" | - | 170.0 | 1'-6" | 12'-0" | 3'-0" | 3'-0" | 9'-4" | 9'-4" |
| | 2'-0" | 12'-0" | 4'-0" | 4'-0" | 10'-6" | 10'-6" | - | | 2'-0" | 11'-11" | 4'-0" | 4'-0" | 8'-1" | 8'-1" |
| | 2'-6" | 12'-0" | 5'-0" | 5'-0" | 9'-8" | 9'-8" | - | | 2'-6" | 10'-2" | 5'-0" | 5'-0" | 7'-2" | 7'-2" |
| | - | - | - | 6'-0" | - | - | 8'-10" | | - | - | - | 6'-0" | - | - |
| 100.0 | 1'-6" | 12'-0" | 3'-0" | 3'-0" | 11'-7" | 11'-7" | - | 175.0 | 1'-6" | 12'-0" | 3'-0" | 3'-0" | 9'-2" | 9'-2" |
| | 2'-0" | 12'-0" | 4'-0" | 4'-0" | 10'-6" | 10'-6" | - | | 2'-0" | 11'-0" | 4'-0" | 4'-0" | 7'-11" | 7'-11" |
| | 2'-6" | 12'-0" | 5'-0" | 5'-0" | 9'-5" | 9'-5" | - | | 2'-6" | 10'-0" | 5'-0" | 5'-0" | 7'-1" | 7'-1" |
| | - | - | - | 6'-0" | - | - | 8'-7" | | - | - | - | 6'-0" | - | - |
| 105.0 | 1'-6" | 12'-0" | 3'-0" | 3'-0" | 11'-5" | 11'-5" | - | 180.0 | 1'-6" | 12'-0" | 3'-0" | 3'-0" | 9'-0" | 9'-0" |
| | 2'-0" | 12'-0" | 4'-0" | 4'-0" | 10'-3" | 10'-3" | - | | 2'-0" | 10'-10" | 4'-0" | 4'-0" | 7'-10" | 7'-10" |
| | 2'-6" | 12'-0" | 5'-0" | 5'-0" | 9'-2" | 9'-2" | - | | 2'-6" | 9'-10" | 5'-0" | 5'-0" | 7'-0" | 7'-0" |
| | - | - | - | 6'-0" | - | - | 8'-4" | | - | - | - | 6'-0" | - | - |
| 110.0 | 1'-6" | 12'-0" | 3'-0" | 3'-0" | 11'-2" | 11'-2" | - | | 1'-6" | 12'-0" | 3'-0" | 3'-0" | 8'-2" | 8'-2" |
| | 2'-0" | 12'-0" | 4'-0" | 4'-0" | 10'-0" | 10'-0" | - | | 2'-0" | 12'-0" | 4'-0" | 4'-0" | 7'-0" | 7'-0" |
| | 2'-6" | 12'-0" | 5'-0" | 5'-0" | 9'-0" | 9'-0" | - | | - | - | - | - | - | - |
| | - | - | - | 6'-0" | - | - | 8'-2" | | - | - | - | 6'-0" | - | - |
| | 1'-6" | 12'-0" | 3'-0" | 3'-0" | 11'-0" | 11'-0" | - | | 1'-6" | 12'-0" | 3'-0" | 3'-0" | 8'-0" | 8'-0" |
| | 2'-0" | 12'-0" | 4'-0" | 4'-0" | 9'-9" | 9'-9" | - | | 2'-0" | 12'-0" | 4'-0" | 4'-0" | 7'-0" | 7'-0" |
| | 2'-6" | 11'-9" | 5'-0" | 5'-0" | 8'-9" | 8'-9" | - | | - | - | - | - | - | - |
| | - | - | - | 6'-0" | - | - | 8'-0" | | - | - | - | - | - | - |

* MAX. POSITIVE A.S.D DESIGN PRESSURE RATING FOR ANY MULLION IS 90.0 psf.



© 2023 TILTECO INC.
TILTECO INC.
 TILLIT TESTING & ENGINEERING COMPANY
 6355 N.W. 36th. St., Ste. 305 - VIRGINIA GARDENS, FL. 33166
 Phone : (305) 871-1530 , Fax : (305) 871-1531
 e-mail: tilteco@aol.com
 CA-0006719
 WALTER A. TILLIT Jr., P.E.
 FLORIDA Lic. # 44167

FLORIDA BUILDING CODE (High & Non High Velocity Hurricane Zone)

HIGH IMPACT SERIES JAZS 70.000 STOREFRONT SYSTEM W/ LARGE & SMALL MISSILE LAMINATED & INSULATED GLASS

W.H DRAWN BY:
 08/30/2023 DATE
23-204 DRAWING No
 SHEET 8 OF 43

290 WEST 78 ROAD
 HIALEAH, FL. 33014
 PH: (954)226-5555/(305)558-8103
 FAX: (305)558-6665
 www.gigwindows.com

| REV. No | DESCRIPTION | DATE | REV. No | DESCRIPTION | DATE |
|---------|-------------|----------|---------|-------------|------|
| 1 | OLD 20-274 | 08/30/23 | 2 | - | - |

MAXIMUM A.S.D. DESIGN PRESSURE RATING SCHEDULE FOR INTERIOR, DOOR JAMB, CORNER & JAMB MULLION'S HEAD/SILL CONNECTIONS *

| MAXIMUM MULLION SPAN "L"(Ft-in) | EFFECTIVE SPACING "b" (Ft-in) | | MAXIMUM DESIGN PRESSURE RATING W (psf) FOR 1/4" MAX. SHIM SPACE | | | | | | | | | |
|------------------------------------|----------------------------------|-------|---|-------------------------------|-------------------|-------|-------------------|-------|-------------------|-------|-------------------|-------|
| | | | n = 4 | | n = 6 | | n = 8 | | n = 10 | | n = 12 | |
| | | | CORNER MULLION | INTERIOR OR DOOR JAMB MULLION | CONCRETE OR METAL | WOOD | CONCRETE OR METAL | WOOD | CONCRETE OR METAL | WOOD | CONCRETE OR METAL | WOOD |
| 7'-0" | 1'-6" | 3'-0" | 107.8 | 67.4 | 161.7 | 101.0 | 180.0 | 135.0 | 180.0 | 168.5 | 180.0 | 180.0 |
| | 1'-9" | 3'-6" | 92.4 | 57.8 | 138.9 | 86.6 | 180.0 | 115.5 | 180.0 | 144.4 | 180.0 | 173.3 |
| | 2'-0" | 4'-0" | 80.9 | 50.6 | 121.3 | 75.8 | 161.7 | 101.1 | 180.0 | 126.3 | 180.0 | 151.6 |
| | 2'-3" | 4'-6" | 71.9 | 44.9 | 107.8 | 67.4 | 143.8 | 89.8 | 180.0 | 112.3 | 180.0 | 134.8 |
| | 2'-6" | 5'-0" | 64.7 | 40.4 | 97.0 | 60.6 | 129.4 | 80.9 | 161.7 | 101.1 | 180.0 | 121.3 |
| | - | 5'-6" | 58.8 | 36.8 | 88.2 | 55.1 | 117.6 | 73.5 | 147.0 | 91.9 | 176.0 | 110.0 |
| 7'-6" | 1'-6" | 3'-0" | 100.0 | 62.7 | 150.0 | 94.0 | 180.0 | 125.3 | 180.0 | 156.7 | 180.0 | 180.0 |
| | 1'-9" | 3'-6" | 85.9 | 53.8 | 128.0 | 80.6 | 180.0 | 107.5 | 180.0 | 134.3 | 180.0 | 161.2 |
| | 2'-0" | 4'-0" | 75.2 | 47.1 | 112.8 | 70.6 | 150.4 | 94.1 | 180.0 | 117.8 | 180.0 | 141.2 |
| | 2'-3" | 4'-6" | 66.9 | 41.8 | 100.2 | 62.6 | 133.7 | 83.3 | 180.0 | 104.2 | 180.0 | 125.0 |
| | 2'-6" | 5'-0" | 60.2 | 37.6 | 90.2 | 56.4 | 120.3 | 75.2 | 150.4 | 94.0 | 180.0 | 112.8 |
| | - | 5'-6" | 54.7 | 34.2 | 82.0 | 51.3 | 109.3 | 68.4 | 136.7 | 85.6 | 163.7 | 102.7 |
| 8'-0" | 1'-6" | 3'-0" | 94.0 | 58.9 | 141.0 | 88.4 | 180.0 | 117.9 | 180.0 | 147.3 | 180.0 | 176.8 |
| | 1'-9" | 3'-6" | 80.7 | 50.6 | 121.1 | 75.9 | 161.7 | 101.1 | 180.0 | 126.4 | 180.0 | 151.7 |
| | 2'-0" | 4'-0" | 70.7 | 44.3 | 106.0 | 66.4 | 141.4 | 88.5 | 176.7 | 110.7 | 180.0 | 132.8 |
| | 2'-3" | 4'-6" | 62.9 | 39.3 | 94.2 | 58.9 | 125.7 | 78.6 | 157.2 | 98.2 | 180.0 | 117.9 |
| | 2'-6" | 5'-0" | 56.6 | 35.3 | 84.8 | 53.0 | 113.1 | 70.7 | 141.4 | 88.4 | 169.8 | 106.0 |
| | - | 5'-6" | 51.4 | 32.4 | 77.1 | 48.2 | 102.7 | 64.3 | 128.5 | 80.4 | 153.9 | 96.4 |
| 8'-6" | 1'-6" | 3'-0" | 88.4 | 55.4 | 132.5 | 83.0 | 177.6 | 110.7 | 180.0 | 138.4 | 180.0 | 166.1 |
| | 1'-9" | 3'-6" | 75.9 | 47.6 | 113.8 | 71.3 | 152.0 | 95.1 | 180.0 | 118.9 | 180.0 | 142.7 |
| | 2'-0" | 4'-0" | 66.5 | 41.6 | 99.6 | 62.5 | 132.9 | 83.3 | 166.5 | 104.1 | 180.0 | 124.9 |
| | 2'-3" | 4'-6" | 59.1 | 36.9 | 88.5 | 55.4 | 118.2 | 73.9 | 147.8 | 92.4 | 177.6 | 110.8 |
| | 2'-6" | 5'-0" | 53.2 | 33.2 | 79.7 | 49.8 | 106.3 | 66.4 | 133.2 | 83.0 | 159.6 | 99.5 |
| | - | 5'-6" | 48.3 | 30.2 | 72.5 | 45.3 | 96.5 | 60.3 | 120.8 | 75.4 | 144.7 | 90.5 |
| 9'-0" | 1'-6" | 3'-0" | 83.1 | 52.1 | 124.6 | 78.1 | 166.9 | 104.2 | 180.0 | 130.2 | 180.0 | 156.2 |
| | 1'-9" | 3'-6" | 71.3 | 44.7 | 107.0 | 67.1 | 142.9 | 89.5 | 179.7 | 111.9 | 180.0 | 134.2 |
| | 2'-0" | 4'-0" | 62.5 | 39.1 | 93.6 | 58.7 | 124.9 | 78.2 | 157.3 | 97.8 | 180.0 | 117.3 |
| | 2'-3" | 4'-6" | 55.6 | 34.7 | 83.2 | 52.0 | 111.1 | 69.4 | 138.7 | 86.7 | 166.9 | 104.0 |
| | 2'-6" | 5'-0" | 50.0 | 31.2 | 74.0 | 46.8 | 99.9 | 62.4 | 125.9 | 78.0 | 150.0 | 93.6 |
| | - | 5'-6" | 45.4 | 28.4 | 68.2 | 42.6 | 90.7 | 56.8 | 113.6 | 71.0 | 136.0 | 83.2 |
| - | 6'-0" | 41.6 | 25.9 | 62.5 | 38.9 | 83.2 | 51.9 | 104.1 | 64.9 | 124.8 | 77.8 | |

* MAX. POSITIVE A.S.D DESIGN PRESSURE RATING FOR ALL CASES IS 90.0 psf

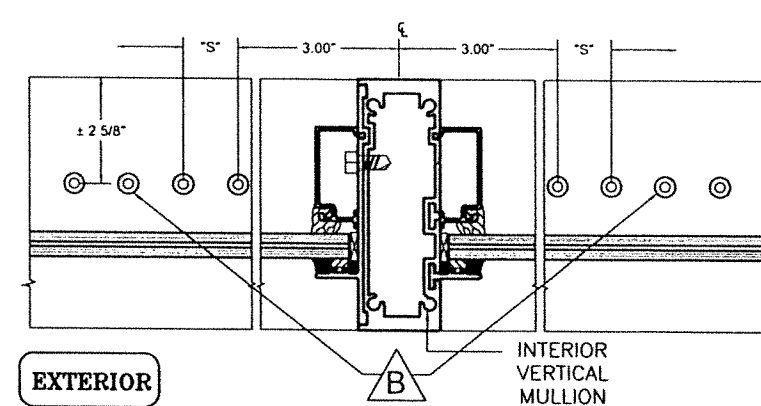
OPTIONAL SYSTEM #1

FASTENERS TYPES & SUBSTRATES REQUIREMENTS:

A - 1/4"Ø ELCO CONSTRUCTION PRODUCTS, ULTRACON ANCHOR W/ 1 3/4" Min. EMBEDMENT INTO POURED CONCRETE (Min. f_c = 2.730 ksi), W/ S = 3" MIN. SPACING & 2 1/2" MIN. EDGE DISTANCE. EMBEDMENT & EDGE DISTANCE ARE BEYOND ANY FINISH MATERIAL.

B - 1/4"-14 ITW/BUILDEX TEK SCREW OR 1/4"-14 ELCO CONSTRUCTION PRODUCTS DRILL-FLEX W/ FULL ENGAGEMENT INTO MIN. 1/8" THK. (F_y = 33 Ksi) STEEL OR 1/8" THK. (6063-T6 ALLOY) ALUMINUM W/ MIN. (3) THREADS PASSED BEYOND STEEL THICKNESS.

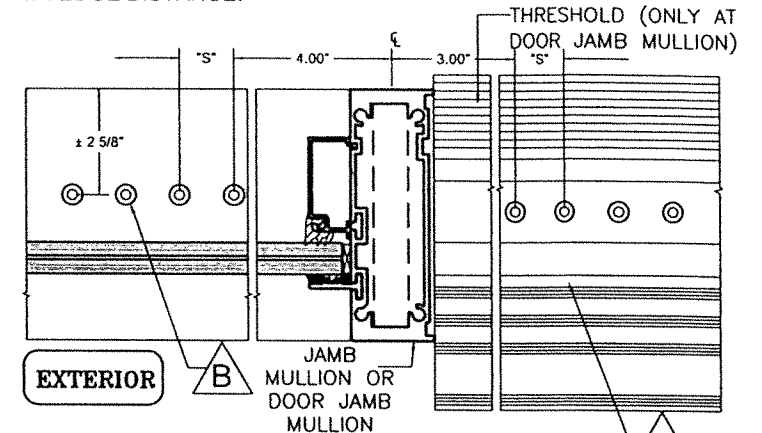
C - 1/4"Ø ELCO CONSTRUCTION PRODUCTS ULTRACON ANCHOR W/ 1 1/2" MIN. EMBEDMENT INTO WOOD (G=0.55) W/ S = 3" MIN. SPACING & 1" MIN. EDGE DISTANCE.



n = TOTAL NUMBER OF FASTENERS PER CONNECTION AT HEAD/SILL, EQUALLY INSTALLED W/ (n/2) AT EACH SIDE OF INTERIOR VERTICAL MULLION

SILL OR HEAD CONNECTION DETAIL @ INTERIOR VERTICAL MULLION

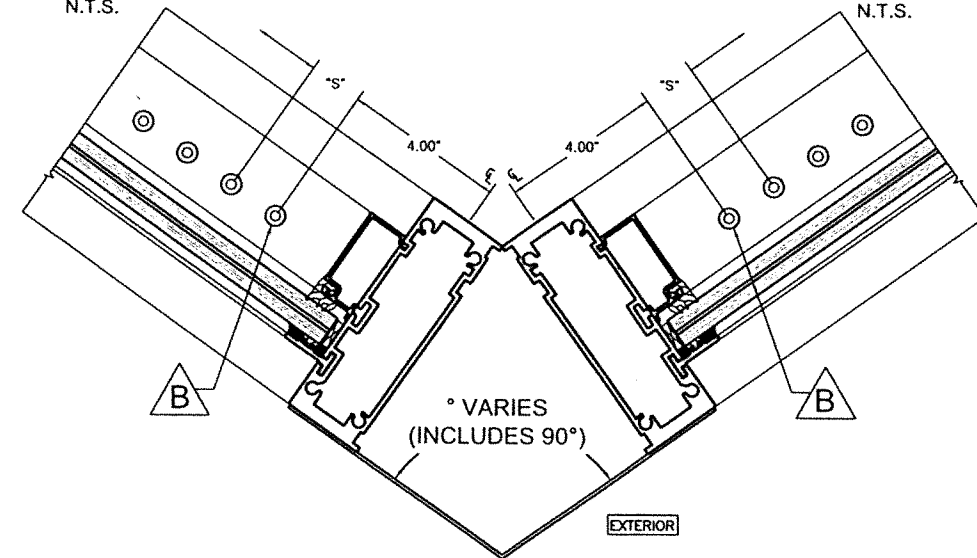
(PLAN VIEW)
N.T.S.



n = TOTAL NUMBER OF FASTENERS PER CONNECTION AT HEAD/SILL, INSTALLED AT ONE SIDE OF JAMB MULLION OR W/ (n/2) AT EACH SIDE OF DOOR JAMB MULLION

SILL OR HEAD CONNECTION DETAIL @ JAMB OR DOOR JAMB MULLION (SEE SHEET 21)

(PLAN VIEW)
N.T.S.

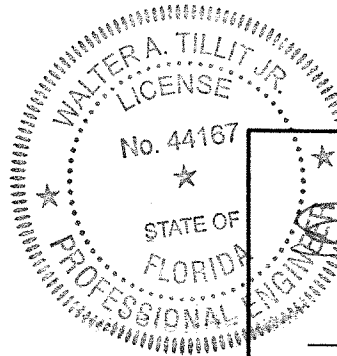


n = TOTAL NUMBER OF FASTENERS PER CONNECTION AT CORNER, EQUALLY INSTALLED W/ (n/2) AT EACH SIDE OF CORNER MULLION

SILL OR HEAD CONNECTION DETAIL @ CORNER MULLION

(PLAN VIEW)
N.T.S.

FLORIDA BUILDING CODE (High & Non High Velocity Hurricane Zone)



P.E. SEAL/SIGNATURE/DATE
W.A. Tillit Jr.
08/30/2023

© 2023 TILTECO INC.
TILTECO INC.
TILLIT TESTING & ENGINEERING COMPANY
6355 N.W. 36th. St., Ste. 305 - VIRGINIA GARDENS, FL. 33166
Phone : (305) 871-1530 , Fax : (305) 871-1531
e-mail: tilteco@aol.com
CA-0006719
WALTER A. TILLIT Jr., P.E.
FLORIDA Lic. # 44167

HIGH IMPACT SERIES JAZZ 70,000 STOREFRONT SYSTEM W/ LARGE & SMALL MISSILE LAMINATED & INSULATED GLASS

GIG WINDOWS & DOORS

290 WEST 78 ROAD
HIALEAH, FL. 33014
PH: (954)226-5555/(305)558-8103
FAX: (305)558-6665
www.gigwindows.com

| REV. No | DESCRIPTION | DATE | REV. No | DESCRIPTION | DATE |
|---------|-------------|----------|---------|-------------|------|
| 1 | OLD 20-278 | 08/30/23 | 2 | - | - |

W.H
DRAWN BY:
08/30/2023
DATE
23-204
DRAWING No
SHEET 9 OF 43

B FASTENERS TYPES & SUBSTRATES REQUIREMENTS:

A - 1/4"Ø ELCO CONSTRUCTION PRODUCTS, ULTRACON ANCHOR W/ 1 3/4" Min. EMBEDMENT INTO POURED CONCRETE (Min. f_c = 2.730 ksi), W/ S = 3" MIN. SPACING & 2 1/2" MIN. EDGE DISTANCE. EMBEDMENT & EDGE DISTANCE ARE BEYOND ANY FINISH MATERIAL.

B - 1/4"-14 ITW/BUILDEX TEK SCREW OR 1/4"-14 ELCO CONSTRUCTION PRODUCTS DRILL-FLEX W/ FULL ENGAGEMENT INTO MIN. 1/8" THK. (F_y = 33 Ksi) STEEL OR 1/8" THK. (6063-T6 ALLOY) ALUMINUM W/ MIN. (3) THREADS PASSED BEYOND STEEL THICKNESS.

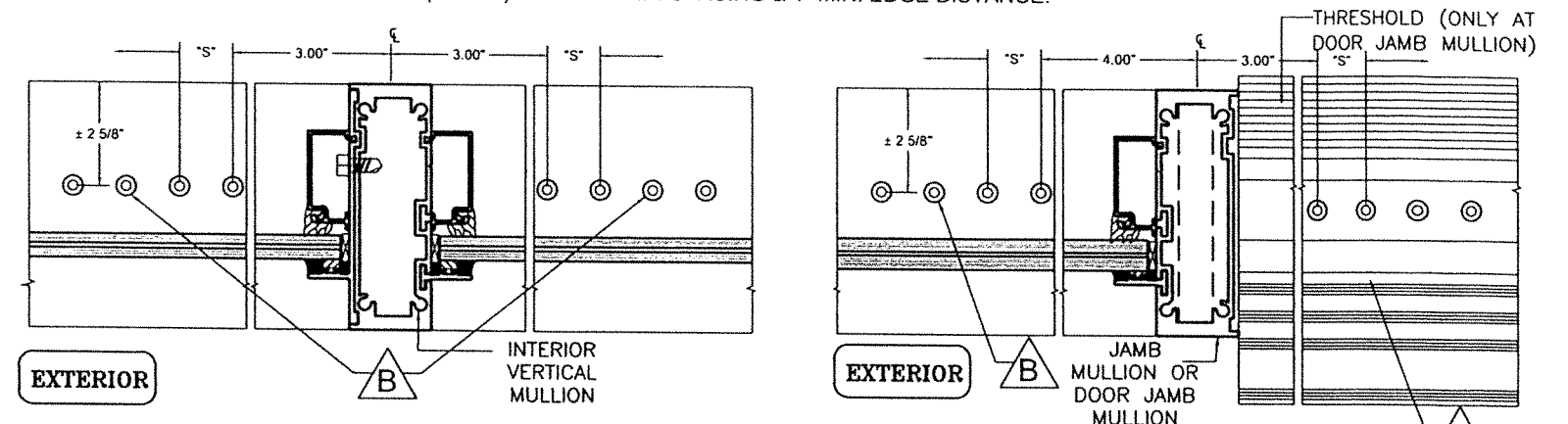
C - 1/4"Ø ELCO CONSTRUCTION PRODUCTS ULTRACON ANCHOR W/ 1 1/2" MIN. EMBEDMENT INTO WOOD (G=0.55) W/ S = 3" MIN. SPACING & 1" MIN. EDGE DISTANCE.

MAXIMUM A.S.D. DESIGN PRESSURE RATING SCHEDULE FOR INTERIOR, DOOR JAMB, CORNER & JAMB MULLION'S HEAD/SILL CONNECTIONS *

| MAXIMUM MULLION SPAN "L"(Ft-in) | EFFECTIVE SPACING "b" (Ft-in) | | MAXIMUM DESIGN PRESSURE RATING W (psf) FOR 1/4" MAX. SHIM SPACE | | | | | | | | | |
|------------------------------------|-------------------------------|-------|---|-------------------------------|-------------------|-------|-------------------|-------|-------------------|-------|-------------------|-------|
| | | | n = 4 | | n = 6 | | n = 8 | | n = 10 | | n = 12 | |
| | | | JAMB OR CORNER MULLION | INTERIOR OR DOOR JAMB MULLION | CONCRETE OR METAL | WOOD | CONCRETE OR METAL | WOOD | CONCRETE OR METAL | WOOD | CONCRETE OR METAL | WOOD |
| | | A & B | C | A & B | C | A & B | C | A & B | C | A & B | C | |
| 9'-6" | 1'-6" | 3'-0" | 78.1 | 49.5 | 117.1 | 74.2 | 156.9 | 99.0 | 180.0 | 123.7 | 180.0 | 148.5 |
| | 1'-9" | 3'-6" | 67.0 | 42.5 | 100.6 | 63.7 | 134.3 | 84.9 | 170.3 | 106.2 | 180.0 | 127.4 |
| | 2'-0" | 4'-0" | 58.8 | 37.1 | 88.0 | 55.7 | 117.4 | 74.3 | 149.0 | 98.9 | 178.8 | 111.4 |
| | 2'-3" | 4'-6" | 52.3 | 33.0 | 78.2 | 49.4 | 104.4 | 67.9 | 130.4 | 82.4 | 156.9 | 98.9 |
| | 2'-6" | 5'-0" | 47.0 | 29.6 | 70.4 | 44.5 | 93.9 | 59.3 | 118.3 | 74.1 | 141.0 | 88.9 |
| | - | 5'-6" | 42.7 | 27.0 | 64.1 | 40.5 | 85.3 | 54.0 | 106.7 | 67.5 | 127.8 | 80.9 |
| 10'-0" | - | 6'-0" | 39.1 | 24.6 | 58.8 | 36.9 | 78.2 | 49.2 | 97.9 | 61.5 | 117.3 | 73.8 |
| | 1'-6" | 3'-0" | 74.2 | 47.0 | 111.2 | 70.5 | 149.0 | 94.0 | 180.0 | 117.6 | 180.0 | 141.0 |
| | 1'-9" | 3'-6" | 63.7 | 40.4 | 95.6 | 60.6 | 129.4 | 80.8 | 161.8 | 100.9 | 180.0 | 121.1 |
| | 2'-0" | 4'-0" | 55.9 | 35.2 | 83.6 | 52.9 | 111.5 | 70.5 | 141.6 | 88.1 | 169.9 | 105.7 |
| | 2'-3" | 4'-6" | 49.7 | 31.4 | 74.3 | 47.0 | 99.2 | 62.7 | 123.9 | 78.4 | 149.9 | 94.0 |
| | 2'-6" | 5'-0" | 44.7 | 28.1 | 66.9 | 42.2 | 90.0 | 56.2 | 112.4 | 70.3 | 134.0 | 84.4 |
| 10'-6" | - | 5'-6" | 40.6 | 25.6 | 60.9 | 38.5 | 81.1 | 51.3 | 101.4 | 64.1 | 121.4 | 77.0 |
| | - | 6'-0" | 37.1 | 23.4 | 55.9 | 35.0 | 74.4 | 46.7 | 93.0 | 58.4 | 111.4 | 70.1 |
| | 1'-6" | 3'-0" | 70.5 | 44.7 | 105.6 | 67.0 | 141.6 | 89.3 | 179.7 | 111.6 | 180.0 | 134.0 |
| | 1'-9" | 3'-6" | 60.5 | 38.4 | 90.8 | 57.6 | 123.2 | 76.8 | 153.7 | 96.0 | 180.0 | 115.1 |
| | 2'-0" | 4'-0" | 53.1 | 33.4 | 74.7 | 50.2 | 105.9 | 66.9 | 134.5 | 83.6 | 161.4 | 100.3 |
| | 2'-3" | 4'-6" | 47.2 | 29.8 | 70.6 | 44.7 | 94.2 | 59.7 | 117.7 | 74.6 | 141.6 | 89.5 |
| 11'-0" | 2'-6" | 5'-0" | 42.5 | 26.7 | 63.6 | 40.0 | 85.4 | 53.4 | 106.8 | 66.7 | 127.3 | 80.8 |
| | - | 5'-6" | 38.6 | 24.2 | 57.9 | 36.5 | 77.0 | 48.6 | 96.3 | 60.8 | 115.3 | 73.0 |
| | - | 6'-0" | 35.2 | 22.2 | 53.1 | 33.3 | 70.7 | 44.5 | 88.4 | 55.6 | 105.8 | 66.7 |
| | 1'-6" | 3'-0" | 67.0 | 42.5 | 100.3 | 63.7 | 134.5 | 84.9 | 170.7 | 106.2 | 180.0 | 127.4 |
| | 1'-9" | 3'-6" | 57.5 | 36.5 | 86.3 | 54.7 | 117.0 | 73.0 | 146.0 | 91.2 | 176.6 | 109.4 |
| | 2'-0" | 4'-0" | 50.4 | 31.7 | 75.4 | 47.6 | 100.6 | 63.5 | 127.8 | 79.3 | 153.3 | 95.1 |
| 11'-6" | 2'-3" | 4'-6" | 44.8 | 28.3 | 67.1 | 42.5 | 89.5 | 56.6 | 111.8 | 70.8 | 134.5 | 84.9 |
| | 2'-6" | 5'-0" | 40.4 | 25.4 | 59.5 | 38.0 | 81.2 | 50.7 | 101.5 | 63.4 | 120.9 | 76.1 |
| | - | 5'-6" | 36.7 | 23.0 | 55.0 | 34.5 | 73.2 | 46.0 | 91.5 | 57.5 | 109.5 | 69.0 |
| | - | 6'-0" | 33.4 | 21.1 | 50.4 | 31.6 | 67.2 | 42.2 | 84.0 | 52.7 | 100.5 | 63.3 |
| | 1'-6" | 3'-0" | 64.3 | 40.8 | 96.3 | 61.2 | 129.1 | 81.6 | 163.9 | 102.0 | 180.0 | 122.4 |
| | 1'-9" | 3'-6" | 55.2 | 35.0 | 82.8 | 52.6 | 112.3 | 70.1 | 140.2 | 87.6 | 169.5 | 105.1 |
| 12'-0" | 2'-0" | 4'-0" | 48.4 | 30.4 | 72.4 | 45.6 | 96.6 | 60.9 | 122.7 | 76.1 | 147.2 | 91.3 |
| | 2'-3" | 4'-6" | 43.0 | 27.2 | 64.4 | 40.8 | 85.9 | 54.3 | 107.3 | 67.9 | 129.1 | 81.5 |
| | 2'-6" | 5'-0" | 38.8 | 24.4 | 57.1 | 36.6 | 78.7 | 48.8 | 97.4 | 61.0 | 116.1 | 73.2 |
| | - | 5'-6" | 35.2 | 22.1 | 52.8 | 33.1 | 71.6 | 44.2 | 88.1 | 55.2 | 105.1 | 66.2 |
| | - | 6'-0" | 32.1 | 20.3 | 48.4 | 30.4 | 65.6 | 40.5 | 80.6 | 50.6 | 96.5 | 60.8 |
| | 1'-6" | 3'-0" | 61.7 | 39.2 | 92.4 | 58.8 | 123.9 | 78.4 | 159.7 | 98.0 | 180.0 | 117.6 |
| 1'-9" | 3'-6" | 53.0 | 33.6 | 79.5 | 50.4 | 107.8 | 67.2 | 134.5 | 84.0 | 162.7 | 100.8 | |
| 2'-0" | 4'-0" | 46.5 | 29.2 | 69.5 | 43.8 | 92.7 | 58.4 | 117.7 | 73.0 | 141.3 | 87.6 | |
| 2'-3" | 4'-6" | 41.3 | 26.1 | 61.8 | 39.2 | 82.5 | 52.2 | 103.0 | 65.3 | 123.9 | 78.3 | |
| 2'-6" | 5'-0" | 37.2 | 23.4 | 54.8 | 35.1 | 75.6 | 48.4 | 93.5 | 58.6 | 111.5 | 70.3 | |
| - | 5'-6" | 33.8 | 21.2 | 50.7 | 31.8 | 68.7 | 42.4 | 84.5 | 53.0 | 100.9 | 63.6 | |
| - | 6'-0" | 30.8 | 19.5 | 46.5 | 29.2 | 63.0 | 39.0 | 77.4 | 48.7 | 92.6 | 58.5 | |

* MAX. POSITIVE A.S.D DESIGN PRESSURE RATING FOR ANY CASE IS 90.0 psf

OPTIONAL SYSTEM #1



n = TOTAL NUMBER OF FASTENERS PER CONNECTION AT HEAD/SILL, EQUALLY INSTALLED W/ (n/2) AT EACH SIDE OF INTERIOR VERTICAL MULLION

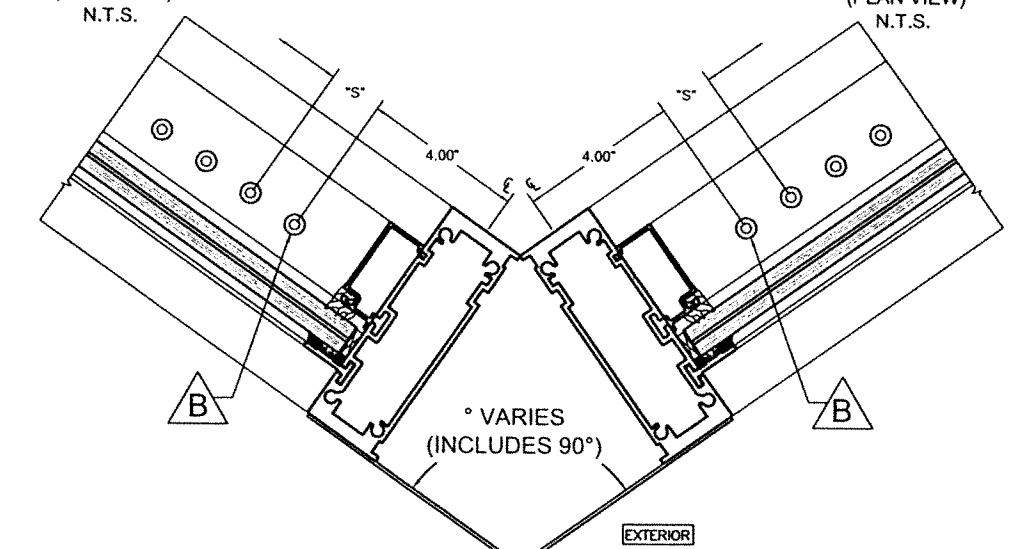
SILL OR HEAD CONNECTION DETAIL @ INTERIOR VERTICAL MULLION

(PLAN VIEW)
N.T.S.

n = TOTAL NUMBER OF FASTENERS PER CONNECTION AT HEAD/SILL, INSTALLED AT ONE SIDE OF JAMB MULLION OR W/ (n/2) AT EACH SIDE OF DOOR JAMB MULLION

SILL OR HEAD CONNECTION DETAIL @ JAMB OR DOOR JAMB MULLION (SEE SHEET 21)

(PLAN VIEW)
N.T.S.



n = TOTAL NUMBER OF FASTENERS PER CONNECTION AT CORNER, EQUALLY INSTALLED W/ (n/2) AT EACH SIDE OF CORNER MULLION

SILL OR HEAD CONNECTION DETAIL @ CORNER MULLION

(PLAN VIEW)
N.T.S.

FLORIDA BUILDING CODE (High & Non High Velocity Hurricane Zone)

WALTER A. TILLIT, P.E.
LICENSE No. 44167
PROFESSIONAL ENGINEER
STATE OF FLORIDA
P.E. SEAL/SIGNATURE/DATE

© 2023 TILTECO INC.
TILTECO INC.
TILLIT TESTING & ENGINEERING COMPANY
6355 N.W. 36th. St., Ste. 305 - VIRGINIA GARDENS, FL 33166
Phone : (305) 871-1530 , Fax : (305) 871-1531
e-mail: tilteco@aol.com
CA-0006719
WALTER A. TILLIT Jr., P.E.
FLORIDA Lic. # 44167

HIGH IMPACT SERIES JAZZ 70.000 STOREFRONT SYSTEM W/ LARGE & SMALL MISSILE LAMINATED & INSULATED GLASS
W.H DRAWN BY:
290 WEST 78 ROAD
HIALEAH, FL 33014
PH: (954)226-5555/(305)558-8103
FAX: (305)558-6665
www.gigwindows.com

| REV. No | DESCRIPTION | DATE | REV. No | DESCRIPTION | DATE |
|---------|-------------|----------|---------|-------------|------|
| 1 | OLD 20-276 | 08/30/23 | 2 | - | - |

08/30/2023
DATE
23-204
DRAWING No
SHEET 9A OF 43

**MAXIMUM A.S.D. DESIGN PRESSURE RATING SCHEDULE FOR INTERIOR, DOOR JAMB,
CORNER & JAMB MULLION'S HEAD/SILL CONNECTIONS ***

| MAXIMUM MULLION SPAN "L"(Ft-in) | EFFECTIVE SPACING "b" (Ft-in) | | MAXIMUM DESIGN PRESSURE RATING W (psf) FOR 3/8" MAX. SHIM SPACE | | | | | | | | | |
|------------------------------------|----------------------------------|-------|---|-------------------------------|----------------------------|-----------|----------------------------|-----------|----------------------------|-----------|----------------------------|-----------|
| | | | n = 4 | | n = 6 | | n = 8 | | n = 10 | | n = 12 | |
| | | | JAMB OR CORNER MULLION | INTERIOR OR DOOR JAMB MULLION | CONCRETE OR METAL A & B | WOOD C | CONCRETE OR METAL A & B | WOOD C | CONCRETE OR METAL A & B | WOOD C | CONCRETE OR METAL A & B | WOOD C |
| 7'-0" | 1'-6" | 3'-0" | 78.5 | 67.5 | 117.8 | 101.3 | 157.1 | 135.0 | 180.0 | 168.8 | 180.0 | 180.0 |
| | 1'-9" | 3'-6" | 67.3 | 57.9 | 101.0 | 86.8 | 134.6 | 115.8 | 168.3 | 144.7 | 180.0 | 173.6 |
| | 2'-0" | 4'-0" | 58.9 | 50.7 | 88.4 | 76.0 | 117.8 | 101.3 | 147.3 | 126.6 | 176.7 | 152.0 |
| | 2'-3" | 4'-6" | 52.3 | 45.0 | 78.5 | 67.5 | 104.7 | 90.0 | 130.9 | 112.4 | 157.1 | 134.9 |
| | 2'-6" | 5'-0" | 47.1 | 40.5 | 70.7 | 60.8 | 94.2 | 81.0 | 117.8 | 101.3 | 141.4 | 121.5 |
| | - | 5'-6" | 42.8 | 36.8 | 64.3 | 55.2 | 85.7 | 73.6 | 107.1 | 92.0 | 128.5 | 110.4 |
| - | 6'-0" | 39.3 | 33.8 | 58.9 | 50.7 | 78.5 | 67.6 | 98.2 | 84.5 | 117.8 | 101.4 | |
| 7'-6" | 1'-6" | 3'-0" | 73.0 | 62.8 | 109.6 | 94.2 | 146.1 | 125.6 | 180.0 | 157.0 | 180.0 | 180.0 |
| | 1'-9" | 3'-6" | 62.6 | 53.8 | 93.9 | 80.8 | 125.2 | 107.7 | 156.5 | 134.6 | 180.0 | 161.5 |
| | 2'-0" | 4'-0" | 54.8 | 47.1 | 82.2 | 70.7 | 109.6 | 94.3 | 137.0 | 117.8 | 164.3 | 141.4 |
| | 2'-3" | 4'-6" | 48.6 | 41.8 | 73.0 | 62.7 | 97.4 | 83.6 | 121.7 | 104.5 | 146.1 | 125.4 |
| | 2'-6" | 5'-0" | 43.8 | 37.7 | 65.8 | 56.5 | 87.6 | 75.3 | 109.6 | 94.2 | 131.5 | 113.0 |
| | - | 5'-6" | 39.5 | 34.0 | 59.8 | 51.0 | 79.7 | 68.0 | 97.6 | 84.9 | 119.5 | 101.9 |
| - | 6'-0" | 36.5 | 31.4 | 54.8 | 47.1 | 73.0 | 62.8 | 91.3 | 78.5 | 109.6 | 94.2 | |
| 8'-0" | 1'-6" | 3'-0" | 68.4 | 58.8 | 103.0 | 88.2 | 137.3 | 117.6 | 171.7 | 147.1 | 180.0 | 176.5 |
| | 1'-9" | 3'-6" | 58.8 | 50.6 | 88.3 | 75.9 | 117.7 | 101.1 | 147.1 | 126.4 | 176.6 | 151.7 |
| | 2'-0" | 4'-0" | 51.5 | 44.3 | 77.3 | 66.4 | 103.0 | 88.6 | 128.8 | 110.7 | 154.4 | 132.9 |
| | 2'-3" | 4'-6" | 45.7 | 39.3 | 68.6 | 59.0 | 91.6 | 78.6 | 113.2 | 98.3 | 137.3 | 117.9 |
| | 2'-6" | 5'-0" | 41.2 | 35.4 | 61.9 | 53.1 | 82.3 | 70.9 | 103.0 | 88.6 | 123.6 | 106.3 |
| | - | 5'-6" | 37.1 | 31.9 | 56.2 | 47.9 | 74.9 | 63.8 | 91.7 | 79.8 | 112.3 | 95.7 |
| - | 6'-0" | 34.3 | 29.5 | 51.2 | 44.2 | 68.6 | 59.0 | 85.8 | 73.7 | 103.0 | 88.5 | |
| 8'-6" | 1'-6" | 3'-0" | 64.3 | 55.3 | 96.9 | 82.9 | 129.1 | 110.6 | 161.4 | 138.2 | 180.0 | 165.9 |
| | 1'-9" | 3'-6" | 55.3 | 47.6 | 83.0 | 71.3 | 110.6 | 95.1 | 138.3 | 118.9 | 166.0 | 142.7 |
| | 2'-0" | 4'-0" | 47.9 | 41.2 | 72.7 | 61.8 | 96.8 | 82.4 | 121.0 | 103.0 | 165.1 | 123.6 |
| | 2'-3" | 4'-6" | 43.0 | 37.0 | 64.5 | 55.7 | 86.1 | 74.0 | 106.4 | 92.5 | 129.1 | 110.9 |
| | 2'-6" | 5'-0" | 38.7 | 33.3 | 58.2 | 49.9 | 77.4 | 66.6 | 96.8 | 83.2 | 116.2 | 99.8 |
| | - | 5'-6" | 34.9 | 30.0 | 52.8 | 45.0 | 70.4 | 60.0 | 86.2 | 75.0 | 105.6 | 90.0 |
| - | 6'-0" | 32.2 | 27.7 | 48.1 | 41.5 | 64.5 | 55.4 | 80.7 | 69.2 | 96.8 | 83.0 | |
| 9'-0" | 1'-6" | 3'-0" | 60.4 | 51.9 | 91.1 | 77.9 | 121.4 | 103.8 | 151.7 | 129.9 | 180.0 | 155.8 |
| | 1'-9" | 3'-6" | 52.0 | 44.7 | 78.0 | 67.1 | 104.0 | 89.4 | 130.0 | 111.8 | 156.0 | 134.2 |
| | 2'-0" | 4'-0" | 45.0 | 38.7 | 68.3 | 58.1 | 91.0 | 77.4 | 113.7 | 96.8 | 136.3 | 116.1 |
| | 2'-3" | 4'-6" | 40.4 | 34.7 | 60.6 | 52.1 | 80.9 | 69.5 | 100.0 | 86.9 | 121.4 | 104.2 |
| | 2'-6" | 5'-0" | 36.4 | 31.3 | 54.7 | 47.0 | 72.8 | 62.6 | 91.0 | 78.2 | 109.2 | 93.9 |
| | - | 5'-6" | 32.8 | 28.2 | 49.6 | 42.3 | 66.2 | 56.4 | 81.0 | 70.5 | 99.3 | 84.6 |
| - | 6'-0" | 30.3 | 26.1 | 45.2 | 39.1 | 60.6 | 52.1 | 75.9 | 65.1 | 91.0 | 70.2 | |

* MAX. POSITIVE A.S.D DESIGN PRESSURE RATING FOR ANY CASE IS 90.0 psf

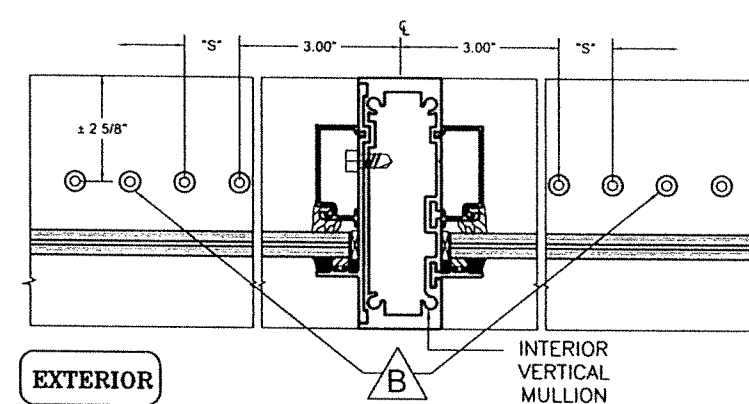
OPTIONAL SYSTEM #1

B FASTENERS TYPES & SUBSTRATES REQUIREMENTS:

A - 1/4"Ø ELCO CONSTRUCTION PRODUCTS, ULTRACON ANCHOR W/ 1 3/4" Min. EMBEDMENT INTO POURED CONCRETE (Min. f_c = 2.730 ksi), W/ S = 3" MIN. SPACING & 2 1/2" MIN. EDGE DISTANCE. EMBEDMENT & EDGE DISTANCE ARE BEYOND ANY FINISH MATERIAL.

B - 1/4"-14 ITW/BUILDEX TEK SCREW OR 1/4"-14 ELCO CONSTRUCTION PRODUCTS DRILL-FLEX W/ FULL ENGAGEMENT INTO MIN. 1/8" THK. (F_y = 33 Ksi) STEEL OR 1/8" THK. (6063-T6 ALLOY) ALUMINUM W/ MIN. (3) THREADS PASSED BEYOND STEEL THICKNESS.

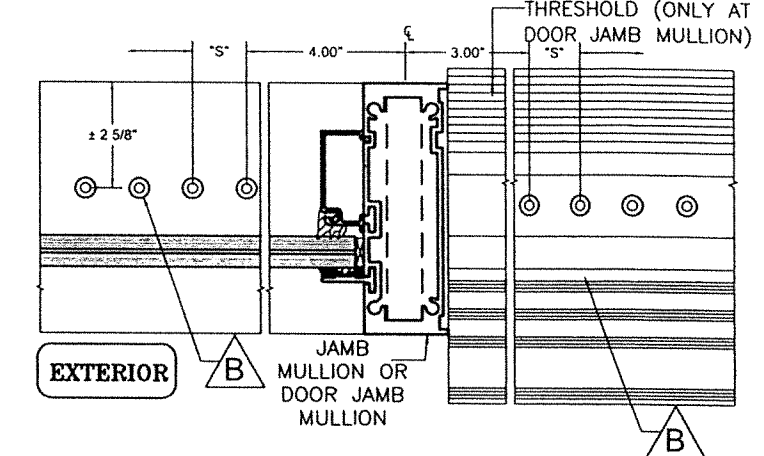
C - 1/4"Ø ELCO CONSTRUCTION PRODUCTS ULTRACON ANCHOR W/ 1 1/2" MIN. EMBEDMENT INTO WOOD (G=0.55) W/ S = 3" MIN. SPACING & 1" MIN. EDGE DISTANCE.



n = TOTAL NUMBER OF FASTENERS PER CONNECTION AT HEAD/SILL, EQUALLY INSTALLED W/ (n/2) AT EACH SIDE OF INTERIOR VERTICAL MULLION

SILL OR HEAD CONNECTION DETAIL @ INTERIOR VERTICAL MULLION

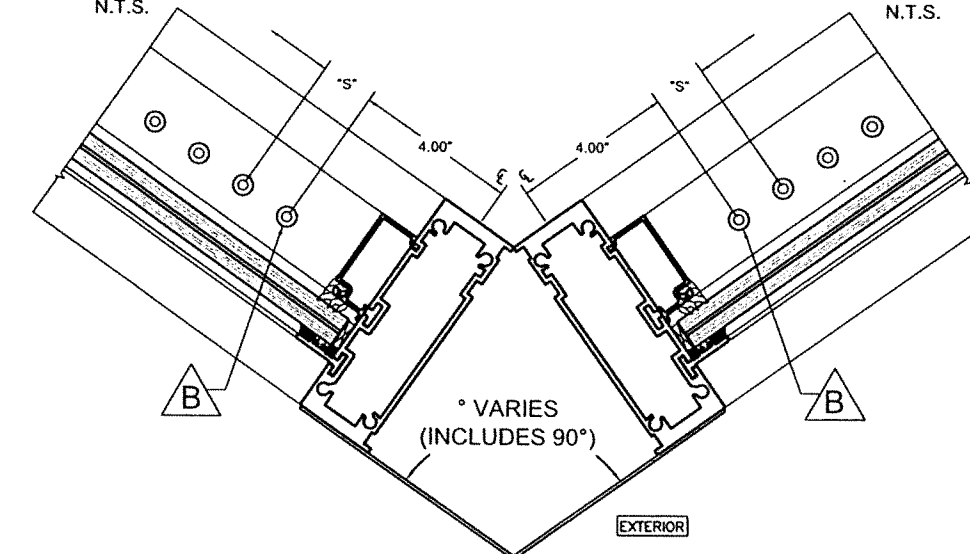
(PLAN VIEW)
N.T.S.



n = TOTAL NUMBER OF FASTENERS PER CONNECTION AT HEAD/SILL, INSTALLED AT ONE SIDE OF JAMB MULLION OR W/ (n/2) AT EACH SIDE OF DOOR JAMB MULLION

SILL OR HEAD CONNECTION DETAIL @ JAMB OR DOOR JAMB MULLION (SEE SHEET 21)

(PLAN VIEW)
N.T.S.

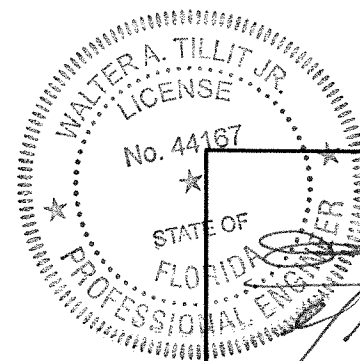


n = TOTAL NUMBER OF FASTENERS PER CONNECTION AT CORNER, EQUALLY INSTALLED W/ (n/2) AT EACH SIDE OF CORNER MULLION

SILL OR HEAD CONNECTION DETAIL @ CORNER MULLION

(PLAN VIEW)
N.T.S.

FLORIDA BUILDING CODE (High & Non High Velocity Hurricane Zone)



P.E. SEAL/SIGNATURE/DATE

© 2023 TILTECO INC.



TILLIT TESTING & ENGINEERING COMPANY
6355 N.W. 36th St., Ste. 305 - VIRGINIA GARDENS, FL 33166
Phone : (305) 871-1530 , Fax : (305) 871-1531
e-mail: tilteco@aol.com
CA-0006719

WALTER A. TILLIT Jr., P.E.
FLORIDA Lic. # 44167

HIGH IMPACT SERIES JAZZ 70.000 STOREFRONT SYSTEM W/
LARGE & SMALL MISSILE LAMINATED & INSULATED GLASS



290 WEST 78 ROAD
HALEAH, FL 33014
PH: (954)226-5555/(305)558-8103
FAX: (305)558-6665
www.gigwindows.com

W.H
DRAWN BY:

08/30/2023
DATE

23-204
DRAWING No

| REV. No | DESCRIPTION | DATE | REV. No | DESCRIPTION | DATE |
|---------|-------------|----------|---------|-------------|------|
| 1 | OLD 20-278 | 08/30/23 | 2 | - | - |

**MAXIMUM A.S.D. DESIGN PRESSURE RATING SCHEDULE FOR INTERIOR, DOOR JAMB,
CORNER & JAMB MULLION'S HEAD/SILL CONNECTIONS ***

| MAXIMUM MULLION SPAN "L"(Ft-in) | EFFECTIVE SPACING "b" (Ft-in) | | MAXIMUM DESIGN PRESSURE RATING W (psf) FOR 3/8" MAX. SHIM SPACE | | | | | | | | | |
|------------------------------------|----------------------------------|-------|---|-------------------------------|-------------------------|--------|-------------------------|--------|-------------------------|--------|-------------------------|--------|
| | | | n = 4 | | n = 6 | | n = 8 | | n = 10 | | n = 12 | |
| | | | JAMB OR CORNER MULLION | INTERIOR OR DOOR JAMB MULLION | CONCRETE OR METAL A & B | WOOD C | CONCRETE OR METAL A & B | WOOD C | CONCRETE OR METAL A & B | WOOD C | CONCRETE OR METAL A & B | WOOD C |
| 9'-6" | 1'-6" | 3'-0" | 57.4 | 49.5 | 86.5 | 74.3 | 115.3 | 99.1 | 144.1 | 123.8 | 173.6 | 148.6 |
| | 1'-9" | 3'-6" | 49.4 | 42.5 | 74.1 | 63.7 | 98.8 | 85.0 | 123.5 | 106.2 | 148.2 | 127.5 |
| | 2'-0" | 4'-0" | 42.8 | 36.8 | 64.9 | 55.2 | 86.5 | 73.6 | 108.0 | 92.0 | 129.5 | 110.4 |
| | 2'-3" | 4'-6" | 38.4 | 33.0 | 57.6 | 49.5 | 76.9 | 66.0 | 95.0 | 82.6 | 115.3 | 99.1 |
| | 2'-6" | 5'-0" | 34.6 | 29.8 | 52.0 | 44.6 | 69.2 | 59.5 | 86.5 | 74.4 | 103.7 | 89.3 |
| 10'-0" | - | 5'-6" | 31.1 | 26.7 | 47.1 | 40.0 | 62.9 | 53.4 | 77.0 | 66.8 | 94.3 | 80.1 |
| | - | 6'-0" | 28.8 | 24.8 | 42.9 | 37.2 | 57.6 | 49.5 | 72.1 | 61.9 | 86.5 | 74.3 |
| | 1'-6" | 3'-0" | 54.5 | 46.9 | 82.2 | 70.3 | 109.5 | 93.7 | 136.9 | 117.2 | 164.9 | 140.6 |
| | 1'-9" | 3'-6" | 46.9 | 40.3 | 70.4 | 60.5 | 93.9 | 80.7 | 117.3 | 100.8 | 140.8 | 121.0 |
| | 2'-0" | 4'-0" | 40.7 | 35.0 | 61.7 | 52.5 | 82.8 | 70.0 | 102.6 | 87.5 | 123.0 | 105.0 |
| 10'-6" | 2'-3" | 4'-6" | 36.5 | 31.4 | 54.7 | 47.1 | 73.0 | 62.8 | 90.3 | 78.5 | 109.5 | 94.2 |
| | 2'-6" | 5'-0" | 32.9 | 28.3 | 49.4 | 42.4 | 65.7 | 56.6 | 82.2 | 70.7 | 98.5 | 84.9 |
| | - | 5'-6" | 29.5 | 25.4 | 44.7 | 38.1 | 59.8 | 50.7 | 73.2 | 63.4 | 89.6 | 76.1 |
| | - | 6'-0" | 27.4 | 23.6 | 40.8 | 35.3 | 54.7 | 47.1 | 68.5 | 58.9 | 82.2 | 70.7 |
| | 1'-6" | 3'-0" | 51.9 | 44.6 | 78.1 | 67.0 | 104.0 | 89.3 | 130.0 | 111.6 | 156.7 | 133.9 |
| 11'-0" | 1'-9" | 3'-6" | 44.6 | 38.4 | 66.9 | 57.5 | 89.2 | 76.7 | 111.4 | 95.9 | 133.8 | 115.1 |
| | 2'-0" | 4'-0" | 38.7 | 33.3 | 58.6 | 49.9 | 78.1 | 66.6 | 97.5 | 83.2 | 116.9 | 99.8 |
| | 2'-3" | 4'-6" | 34.7 | 29.8 | 52.0 | 44.8 | 69.4 | 59.7 | 85.8 | 74.6 | 95.5 | 89.5 |
| | 2'-6" | 5'-0" | 31.3 | 26.9 | 46.9 | 40.4 | 62.4 | 53.8 | 78.1 | 67.3 | 93.6 | 80.8 |
| | - | 5'-6" | 28.0 | 24.1 | 42.5 | 36.1 | 56.8 | 48.2 | 69.5 | 60.2 | 85.1 | 72.2 |
| 11'-6" | - | 6'-0" | 26.0 | 22.4 | 38.8 | 33.5 | 52.0 | 44.7 | 65.1 | 55.9 | 78.1 | 67.1 |
| | 1'-6" | 3'-0" | 49.5 | 42.6 | 74.2 | 63.9 | 98.8 | 85.1 | 123.5 | 106.4 | 148.9 | 127.7 |
| | 1'-9" | 3'-6" | 42.4 | 36.4 | 63.6 | 54.7 | 84.7 | 72.9 | 105.8 | 91.2 | 127.1 | 109.4 |
| | 2'-0" | 4'-0" | 36.8 | 31.6 | 55.7 | 47.5 | 74.2 | 63.3 | 92.6 | 79.1 | 111.1 | 94.9 |
| | 2'-3" | 4'-6" | 33.0 | 28.4 | 49.4 | 42.6 | 65.9 | 56.8 | 81.5 | 71.0 | 90.7 | 85.1 |
| 11'-6" | 2'-6" | 5'-0" | 29.7 | 25.5 | 44.6 | 38.3 | 59.3 | 51.1 | 74.2 | 63.9 | 88.9 | 76.6 |
| | - | 5'-6" | 26.6 | 22.9 | 40.4 | 34.3 | 54.0 | 45.8 | 66.0 | 57.2 | 80.8 | 68.6 |
| | - | 6'-0" | 24.7 | 21.2 | 36.9 | 31.9 | 49.4 | 42.5 | 61.8 | 53.1 | 74.2 | 63.7 |
| | 1'-6" | 3'-0" | 47.5 | 40.9 | 71.2 | 61.3 | 94.8 | 81.7 | 118.6 | 102.1 | 142.9 | 122.6 |
| | 1'-9" | 3'-6" | 40.7 | 35.0 | 61.0 | 52.5 | 81.3 | 70.1 | 101.6 | 87.5 | 122.0 | 105.0 |
| 12'-0" | 2'-0" | 4'-0" | 35.3 | 30.4 | 53.4 | 45.5 | 71.2 | 60.7 | 88.9 | 75.9 | 106.7 | 91.1 |
| | 2'-3" | 4'-6" | 31.7 | 27.3 | 47.4 | 40.9 | 63.3 | 54.5 | 78.2 | 68.1 | 87.1 | 81.8 |
| | 2'-6" | 5'-0" | 28.5 | 24.5 | 42.8 | 36.8 | 56.9 | 49.0 | 71.2 | 61.3 | 85.3 | 73.8 |
| | - | 5'-6" | 25.5 | 21.9 | 38.8 | 32.9 | 51.8 | 43.9 | 62.4 | 54.8 | 77.4 | 65.8 |
| | - | 6'-0" | 23.7 | 20.4 | 35.4 | 30.6 | 47.4 | 40.8 | 59.3 | 51.1 | 71.2 | 61.1 |

* MAX. POSITIVE A.S.D DESIGN PRESSURE RATING FOR ANY CASE IS 90.0 psf

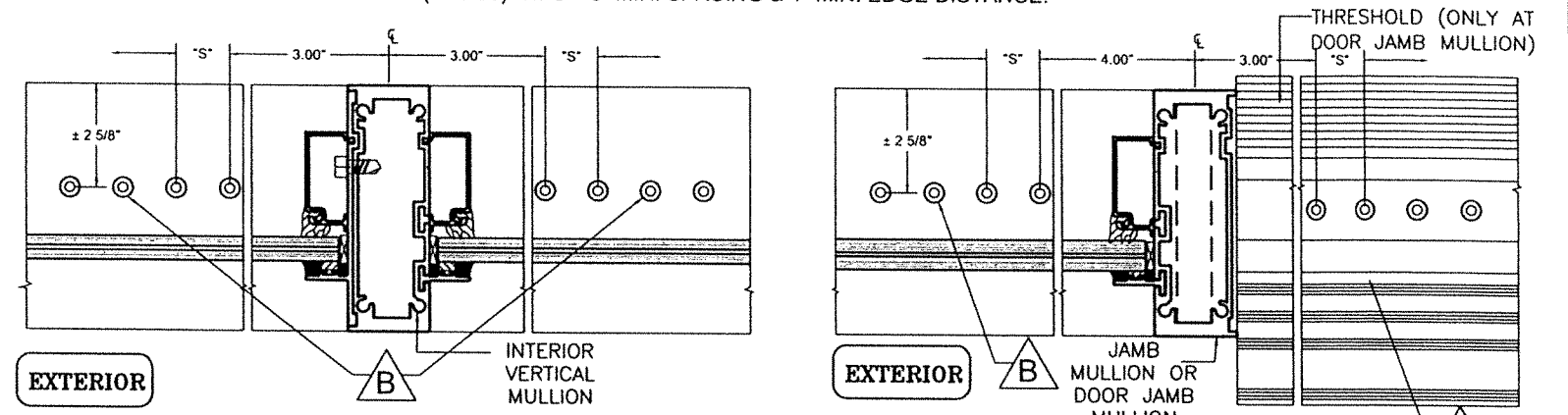
OPTIONAL SYSTEM #1

B FASTENERS TYPES & SUBSTRATES REQUIREMENTS:

A - 1/4"Ø ELCO CONSTRUCTION PRODUCTS, ULTRACON ANCHOR W/ 1 3/4" Min. EMBEDMENT INTO POURED CONCRETE (Min. f_c = 2.730 ksi), W/ S = 3" MIN. SPACING & 2 1/2" MIN. EDGE DISTANCE. EMBEDMENT & EDGE DISTANCE ARE BEYOND ANY FINISH MATERIAL.

B - 1/4"-14 ITW/BUILDEX TEK SCREW OR 1/4"-14 ELCO CONSTRUCTION PRODUCTS DRILL-FLEX W/ FULL ENGAGEMENT INTO MIN. 1/8" THK. (F_y = 33 Ksi) STEEL OR 1/8" THK. (6063-T6 ALLOY) ALUMINUM W/ MIN. (3) THREADS PASSED BEYOND STEEL THICKNESS.

C - 1/4"Ø ELCO CONSTRUCTION PRODUCTS ULTRACON ANCHOR W/ 1 1/2" MIN. EMBEDMENT INTO WOOD (G=0.55) W/ S = 3" MIN. SPACING & 1" MIN. EDGE DISTANCE.



n = TOTAL NUMBER OF FASTENERS PER CONNECTION AT HEAD/SILL, EQUALLY INSTALLED W/ (n/2) AT EACH SIDE OF INTERIOR VERTICAL MULLION

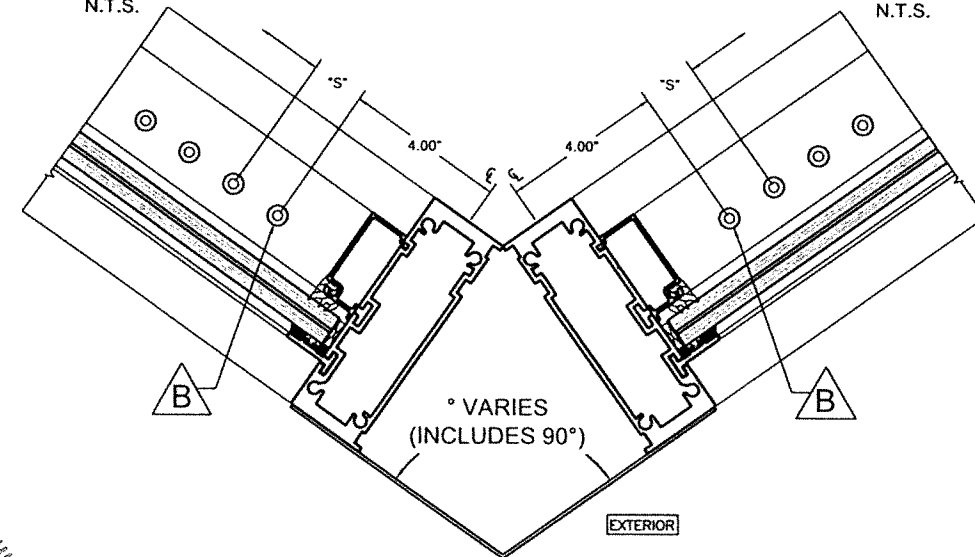
SILL OR HEAD CONNECTION DETAIL @ INTERIOR VERTICAL MULLION

(PLAN VIEW)
N.T.S.

n = TOTAL NUMBER OF FASTENERS PER CONNECTION AT HEAD/SILL, INSTALLED AT ONE SIDE OF JAMB MULLION OR W/ (n/2) AT EACH SIDE OF DOOR JAMB MULLION

SILL OR HEAD CONNECTION DETAIL @ JAMB OR DOOR JAMB MULLION (SEE SHEET 21)

(PLAN VIEW)
N.T.S.



n = TOTAL NUMBER OF FASTENERS PER CONNECTION AT CORNER, EQUALLY INSTALLED W/ (n/2) AT EACH SIDE OF CORNER MULLION

SILL OR HEAD CONNECTION DETAIL @ CORNER MULLION

(PLAN VIEW)
N.T.S.

FLORIDA BUILDING CODE (High & Non High Velocity Hurricane Zone)

WALTER A. TILLIT JR.
LICENSE
No. 44167
STATE OF FLORIDA
PROFESSIONAL ENGINEER
W.A. Tillit Jr.
P.E. SEAL/SIGNATURE/DATE

© 2023 TILTECO INC.
TILTECO INC.
TILLIT TESTING & ENGINEERING COMPANY
6355 N.W. 36th St., Ste. 305 - VIRGINIA GARDENS, FL 33166
Phone : (305) 871-1530 , Fax : (305) 871-1531
e-mail: tilteco@aol.com
CA-0006719
WALTER A. TILLIT Jr., P.E.
FLORIDA Lic. # 44167

HIGH IMPACT SERIES JAZZ 70.000 STOREFRONT SYSTEM W/ LARGE & SMALL MISSILE LAMINATED & INSULATED GLASS
W.H DRAWN BY:
08/30/2023 DATE
23-204 DRAWING No
SHEET 10 OF 43

| REV. No | DESCRIPTION | DATE | REV. No | DESCRIPTION | DATE |
|---------|-------------|----------|---------|-------------|------|
| 1 | OLD 20-278 | 08/30/23 | 2 | - | - |

MAX. ANCHOR SPACING FOR ATTACHED JAMB MULLION "A" TO EXISTING STRUCTURE GIVEN A.S.D DESIGN WIND LOAD AND EFFECTIVE SPACING "b" TO BE USED WHEN FREE STANDING MULLION "A" (NOT ATTACHED TO STRUCTURE) CANNOT MEET THE REQUIRED SPAN "L" FOR A GIVEN A.S.D DESIGN WIND LOAD *

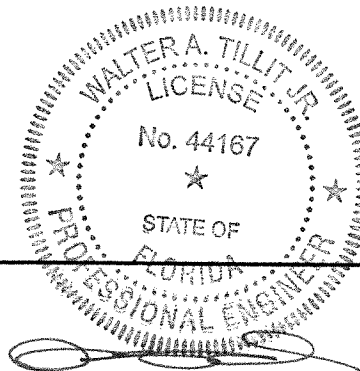
| MAXIMUM ASD DESIGN PRESSURE RATING (psf) ** | EFFECTIVE SPACING FOR "A" *** "b" (Ft-in) | MAX. ANCHOR SPACING FOR | | | |
|---|---|---|---------|---|---------|
| | | 1/4" SHIM SPACE | | 3/8" SHIM SPACE | |
| | | CONCRETE, CONCRETE BLOCK, STEEL OR ALUMINUM | WOOD | CONCRETE, CONCRETE BLOCK, STEEL OR ALUMINUM | WOOD |
| 47.8 or LESS | 1'-6" | 15" O.C | 15" O.C | 15" O.C | 15" O.C |
| | 2'-0" | 15" O.C | 15" O.C | 15" O.C | 15" O.C |
| | 2'-6" | 15" O.C | 15" O.C | 15" O.C | 15" O.C |
| 50.0 | 1'-6" | 15" O.C | 15" O.C | 15" O.C | 15" O.C |
| | 2'-0" | 15" O.C | 15" O.C | 15" O.C | 15" O.C |
| | 2'-6" | 15" O.C | 15" O.C | 15" O.C | 15" O.C |
| 60.0 | 1'-6" | 15" O.C | 15" O.C | 15" O.C | 15" O.C |
| | 2'-0" | 15" O.C | 15" O.C | 15" O.C | 15" O.C |
| | 2'-6" | 15" O.C | 12" O.C | 15" O.C | 12" O.C |
| 70.0 | 1'-6" | 15" O.C | 15" O.C | 15" O.C | 15" O.C |
| | 2'-0" | 15" O.C | 15" O.C | 15" O.C | 15" O.C |
| | 2'-6" | 15" O.C | 12" O.C | 12" O.C | 12" O.C |
| 80.0 | 1'-6" | 15" O.C | 15" O.C | 15" O.C | 15" O.C |
| | 2'-0" | 15" O.C | 12" O.C | 15" O.C | 12" O.C |
| | 2'-6" | 15" O.C | 10" O.C | 12" O.C | 10" O.C |
| 90.0 | 1'-6" | 15" O.C | 15" O.C | 15" O.C | 15" O.C |
| | 2'-0" | 15" O.C | 10" O.C | 12" O.C | 10" O.C |
| | 2'-6" | 14" O.C | 9" O.C | 10" O.C | 9" O.C |
| 100.0 | 1'-6" | 15" O.C | 12" O.C | 15" O.C | 12" O.C |
| | 2'-0" | 15" O.C | 10" O.C | 12" O.C | 10" O.C |
| | 2'-6" | 12" O.C | 8" O.C | 9" O.C | 8" O.C |
| 110.0 | 1'-6" | 15" O.C | 12" O.C | 15" O.C | 12" O.C |
| | 2'-0" | 12" O.C | 9" O.C | 10" O.C | 9" O.C |
| | 2'-6" | 12" O.C | 8" O.C | 9" O.C | 8" O.C |
| 120.0 | 1'-6" | 15" O.C | 10" O.C | 12" O.C | 10" O.C |
| | 2'-0" | 12" O.C | 9" O.C | 10" O.C | 9" O.C |
| | 2'-6" | 10" O.C | 7" O.C | 8" O.C | 7" O.C |
| 130.0 | 1'-6" | 15" O.C | 10" O.C | 12" O.C | 10" O.C |
| | 2'-0" | 12" O.C | 8" O.C | 9" O.C | 8" O.C |
| | 2'-6" | 10" O.C | 6" O.C | 7" O.C | 6" O.C |
| 140.0 | 1'-6" | 15" O.C | 10" O.C | 12" O.C | 10" O.C |
| | 2'-0" | 12" O.C | 8" O.C | 9" O.C | 8" O.C |
| | 2'-6" | 10" O.C | 6" O.C | 7" O.C | 6" O.C |
| 150.0 | 1'-6" | 12" O.C | 9" O.C | 10" O.C | 9" O.C |
| | 2'-0" | 10" O.C | 7" O.C | 8" O.C | 7" O.C |
| | 2'-6" | 10" O.C | 6" O.C | 7" O.C | 6" O.C |
| 160.0 | 1'-6" | 12" O.C | 9" O.C | 10" O.C | 9" O.C |
| | 2'-0" | 10" O.C | 6" O.C | 7" O.C | 6" O.C |
| | 2'-6" | 8" O.C | 5" O.C | 6" O.C | 5" O.C |
| 170.0 | 1'-6" | 12" O.C | 8" O.C | 9" O.C | 8" O.C |
| | 2'-0" | 10" O.C | 6" O.C | 7" O.C | 6" O.C |
| | 2'-6" | 8" O.C | 5" O.C | 6" O.C | 5" O.C |
| 180.0 | 1'-6" | 7" O.C | 7" O.C | 7" O.C | 7" O.C |
| | 2'-0" | 7" O.C | 6" O.C | 7" O.C | 6" O.C |
| | 2'-6" | 6" O.C | 4" O.C | 5" O.C | 4" O.C |

FASTENERS TYPES & SUBSTRATES REQUIREMENTS:

- A** - 1/4"Ø ELCO CONSTRUCTION PRODUCTS, ULTRACON ANCHOR W/ 1 3/4" Min. EMBEDMENT INTO POURED CONCRETE (Min. f_c = 2.730 ksi), W/ S = 3" MIN. SPACING & 2 1/2" MIN. EDGE DISTANCE OR WITH 1 1/4" MIN. EMBEDMENT INTO ASTM C-90 CONCRETE BLOCK WITH S= 6" MIN. SPACING AND 2 1/2" MIN. EDGE DISTANCE ARE BEYOND ANY FINISH MATERIAL.
- B** - 1/4"-14 ITW/BUILDEX TEK SCREW OR 1/4"-14 ELCO CONSTRUCTION PRODUCTS DRILL-FLEX W/ FULL ENGAGEMENT INTO MIN. 1/8" THK. (F_y = 33 Ksi) STEEL OR 1/8" THK. (6063-T6 ALLOY) ALUMINUM W/ MIN. (3) THREADS PASSED BEYOND STEEL THICKNESS.
- C** - 1/4"Ø ELCO CONSTRUCTION PRODUCTS ULTRACON ANCHOR W/ 1 1/2" MIN. EMBEDMENT INTO WOOD (G=0.55) W/ S = 3" MIN. SPACING & 1" MIN. EDGE DISTANCE.

- * SEE SHEETS 5 & 17 FOR ANCHOR LOCATION.
- ** MAX. POSITIVE DESIGN PRESSURE RATING IS 90.0 psf FOR ALL CASES.
- *** SEE SHEET 7 FOR DEFINITION OF EFFECTIVE SPACING "b" FOR ATTACHED JAMB MULLION.

OPTIONAL SYSTEM #1



Walter A. Tillit Jr.
P.E. SEAL/SIGNATURE/DATE

© 2023 TILTECO INC.
TILTECO INC.
 TILLIT TESTING & ENGINEERING COMPANY
 6355 N.W. 36th. St., Ste. 305 - VIRGINIA GARDENS, FL 33166
 Phone : (305) 871-1530 , Fax : (305) 871-1531
 e-mail: tilteco@aol.com
 CA-0006719
 WALTER A. TILLIT Jr., P.E.
 FLORIDA Lic. # 44167

FLORIDA BUILDING CODE (High & Non High Velocity Hurricane Zone)

HIGH IMPACT SERIES JAZZ 70,000 STOREFRONT SYSTEM W/ LARGE & SMALL MISSILE LAMINATED & INSULATED GLASS

W.H DRAWN BY:

08/30/2023 DATE

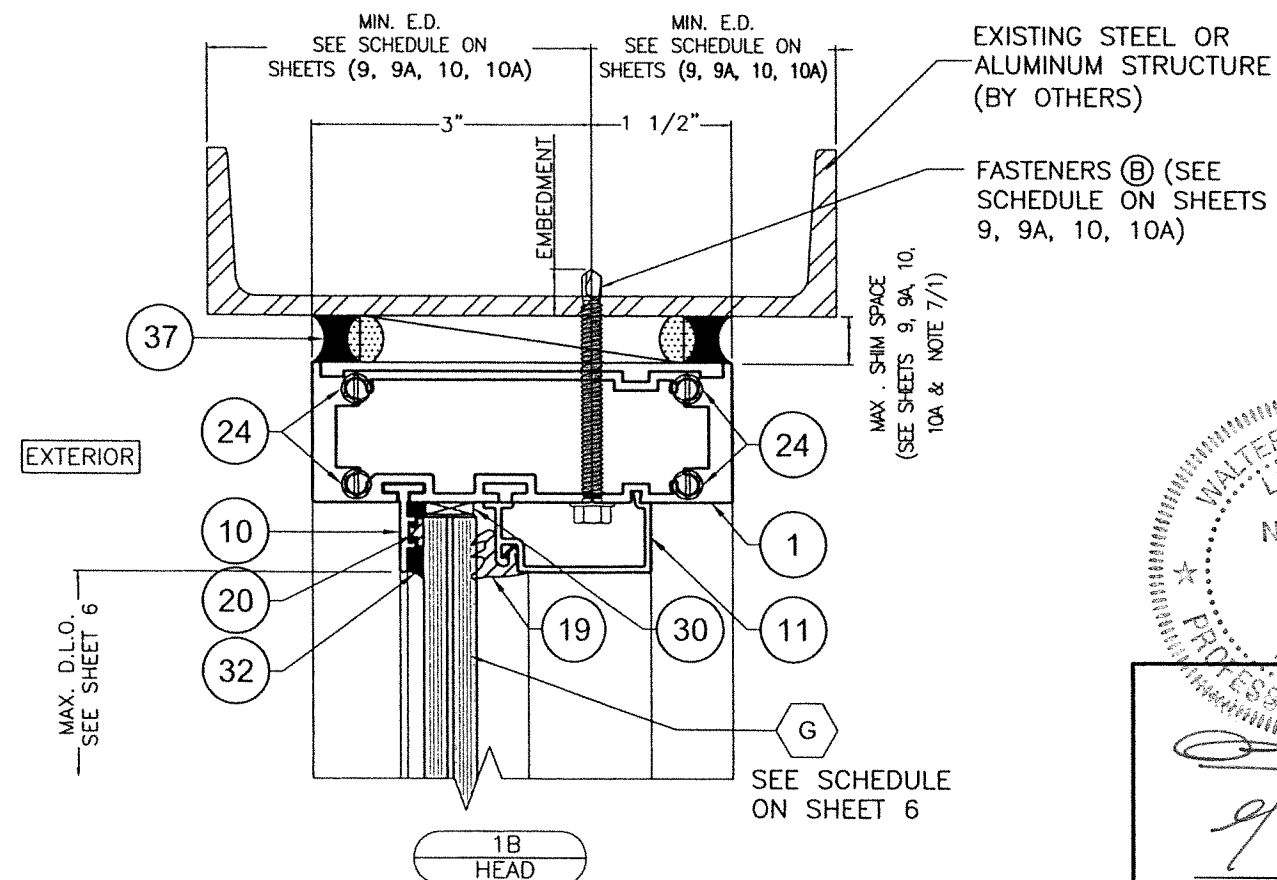
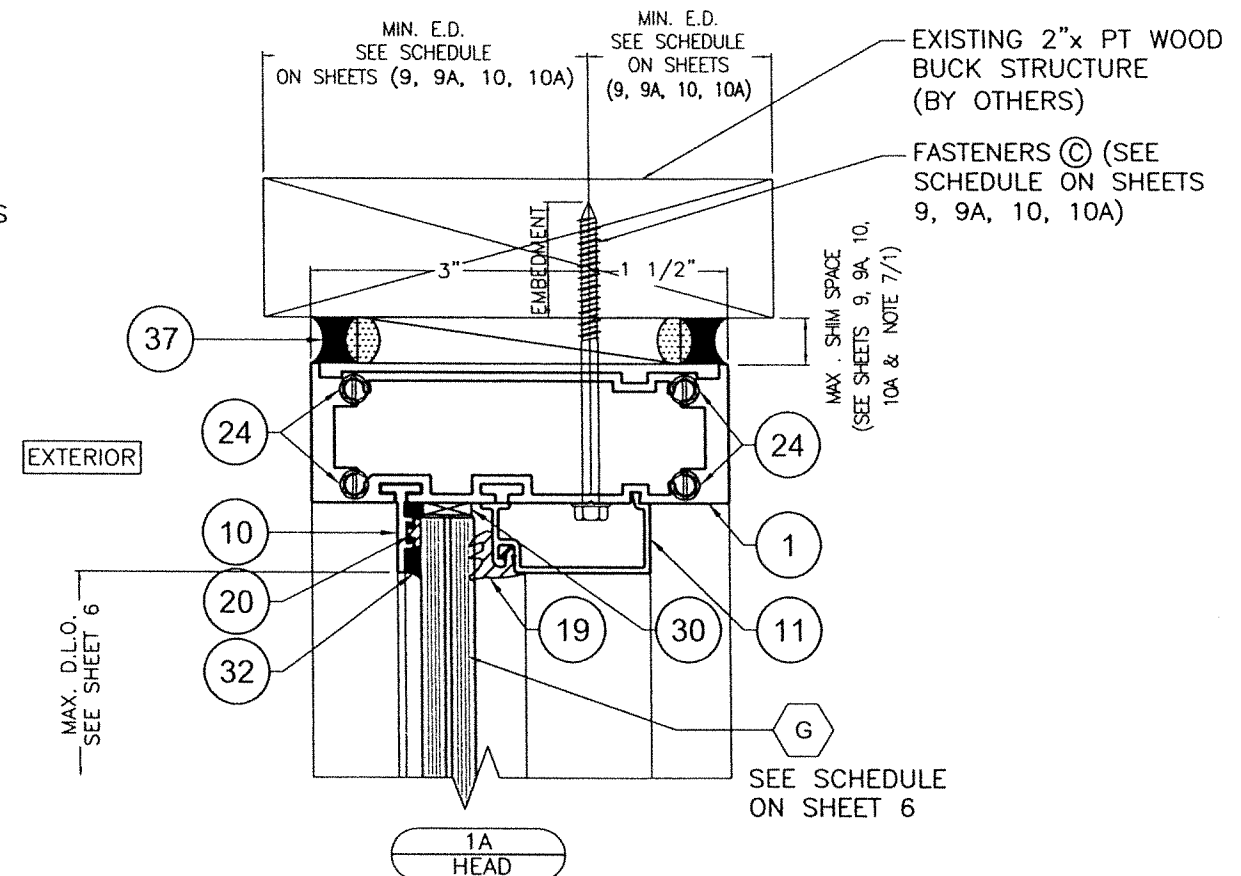
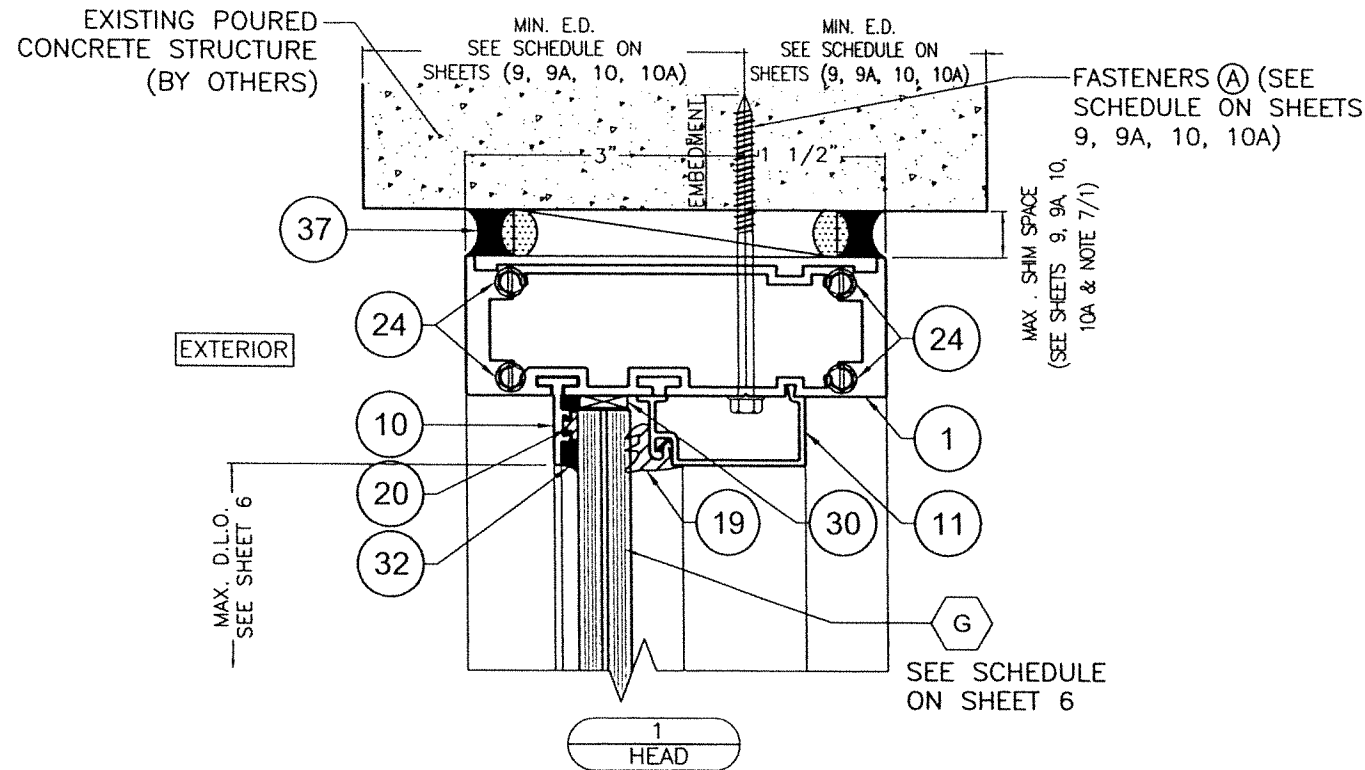
23-204 DRAWING No

SHEET 11 OF 43

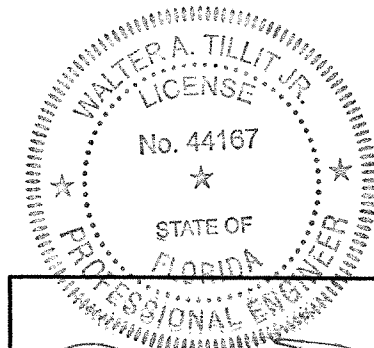
290 WEST 78 ROAD
 HIALEAH, FL. 33014
 PH: (954)226-5555/(305)558-8103
 FAX: (305)558-6665
 www.gigwindows.com

| REV. No | DESCRIPTION | DATE | REV. No | DESCRIPTION | DATE |
|---------|-------------|----------|---------|-------------|------|
| 1 | OLD 20-278 | 08/30/23 | 2 | - | - |

HEAD CONNECTION DETAILS W/ LAMINATED GLASS



OPTIONAL SYSTEM #1



9/19/2023
P.E. SEAL/SIGNATURE/DATE

FLORIDA BUILDING CODE (High & Non High Velocity Hurricane Zone)

© 2023 TILTECO INC.

TILTECO INC.
TILLIT TESTING & ENGINEERING COMPANY
6355 N.W. 36th St., Ste. 305 - VIRGINIA GARDENS, FL 33166
Phone : (305) 871-1530 . Fax : (305) 871-1531
e-mail: tilteco@aol.com
CA-0006719
WALTER A. TILLIT Jr., P.E.
FLORIDA Lic. # 44167

HIGH IMPACT SERIES JAZZ 70.000 STOREFRONT SYSTEM W/ LARGE & SMALL MISSILE LAMINATED & INSULATED GLASS

290 WEST 78 ROAD
HIALEAH, FL 33014
PH: (954)226-5555/(305)558-8103
FAX: (305)558-6665
www.gigwindows.com

| REV. No | DESCRIPTION | DATE | REV. No | DESCRIPTION | DATE |
|---------|-------------|----------|---------|-------------|------|
| 1 | OLD 20-278 | 08/30/23 | 2 | - | - |

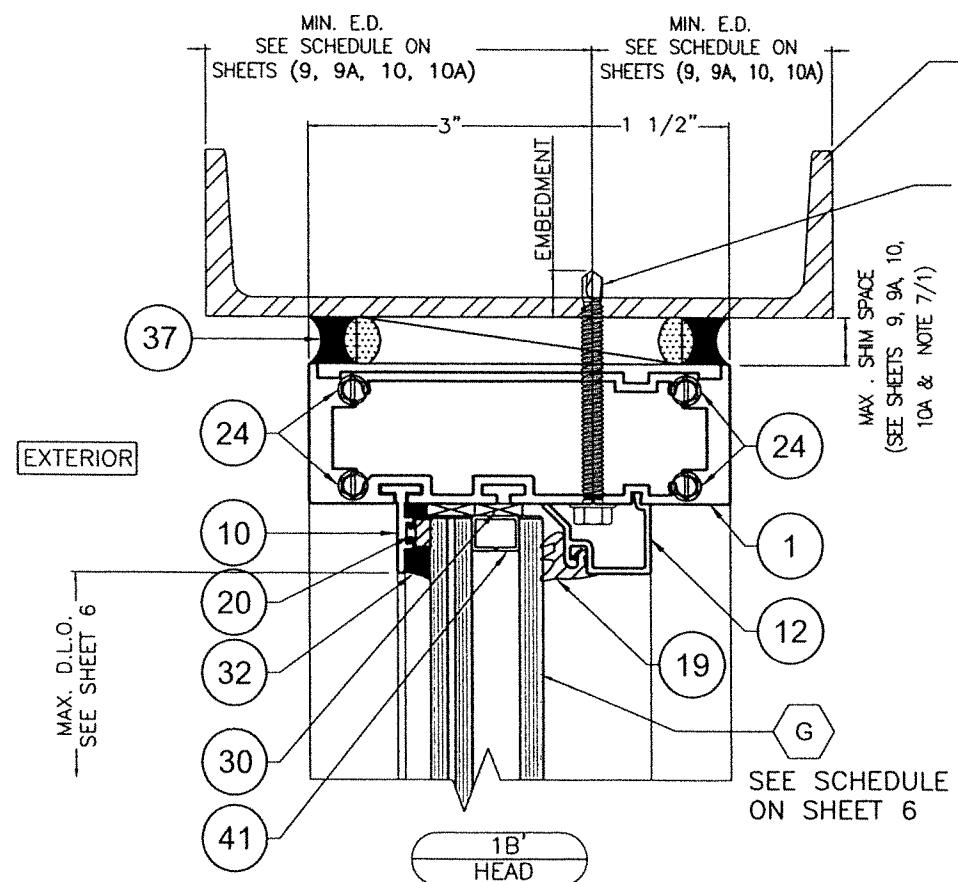
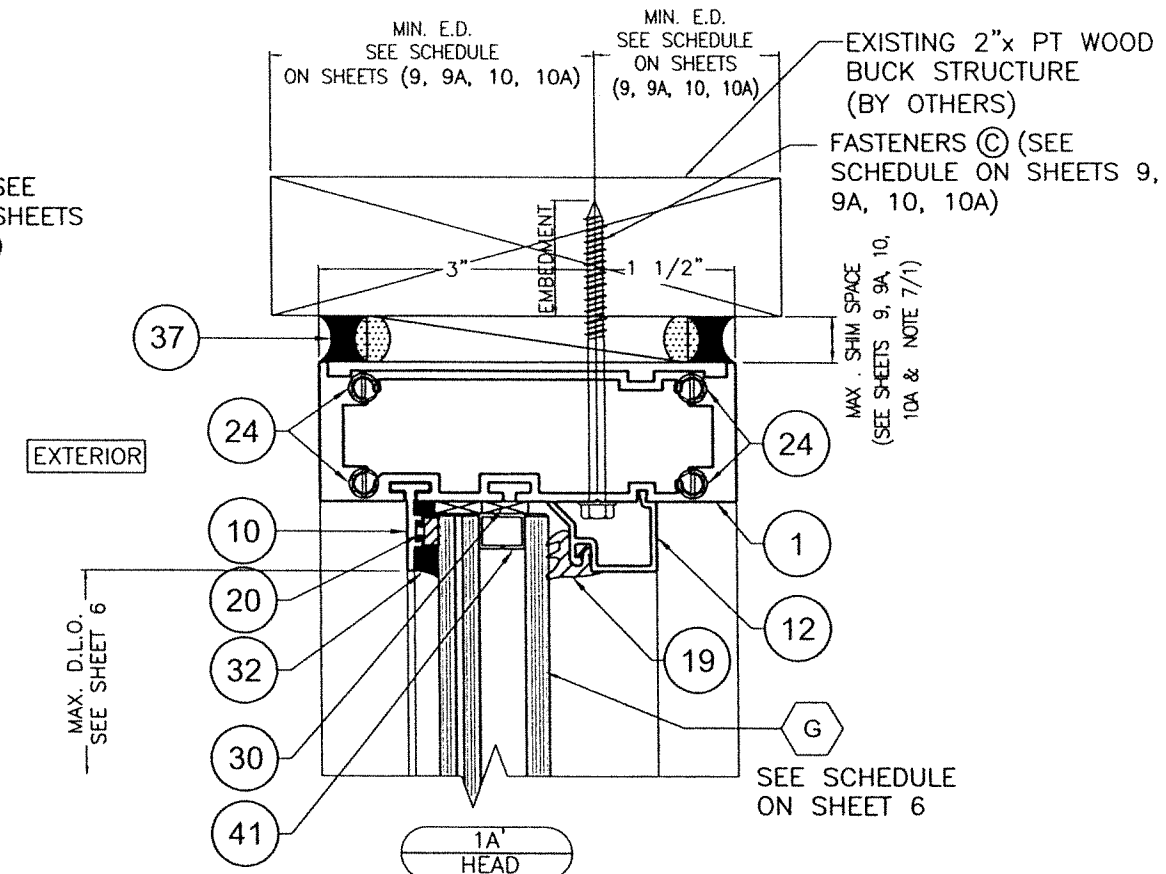
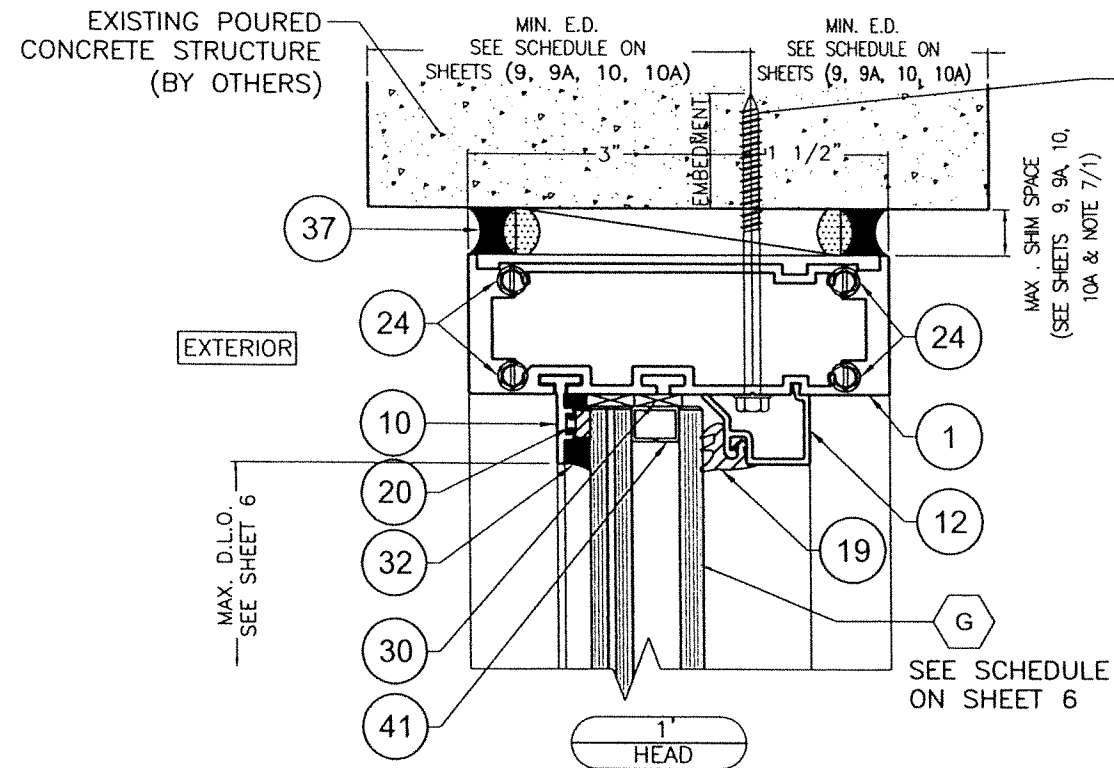
W.H
DRAWN BY:

08/30/2023
DATE

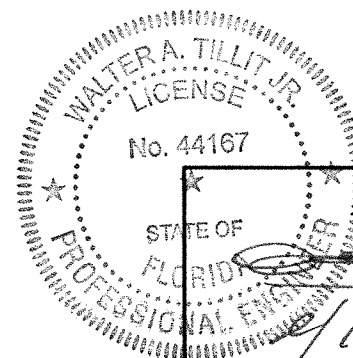
23-204
DRAWING No

SHEET 12 OF 43

HEAD CONNECTION DETAILS W/ INSULATED GLASS



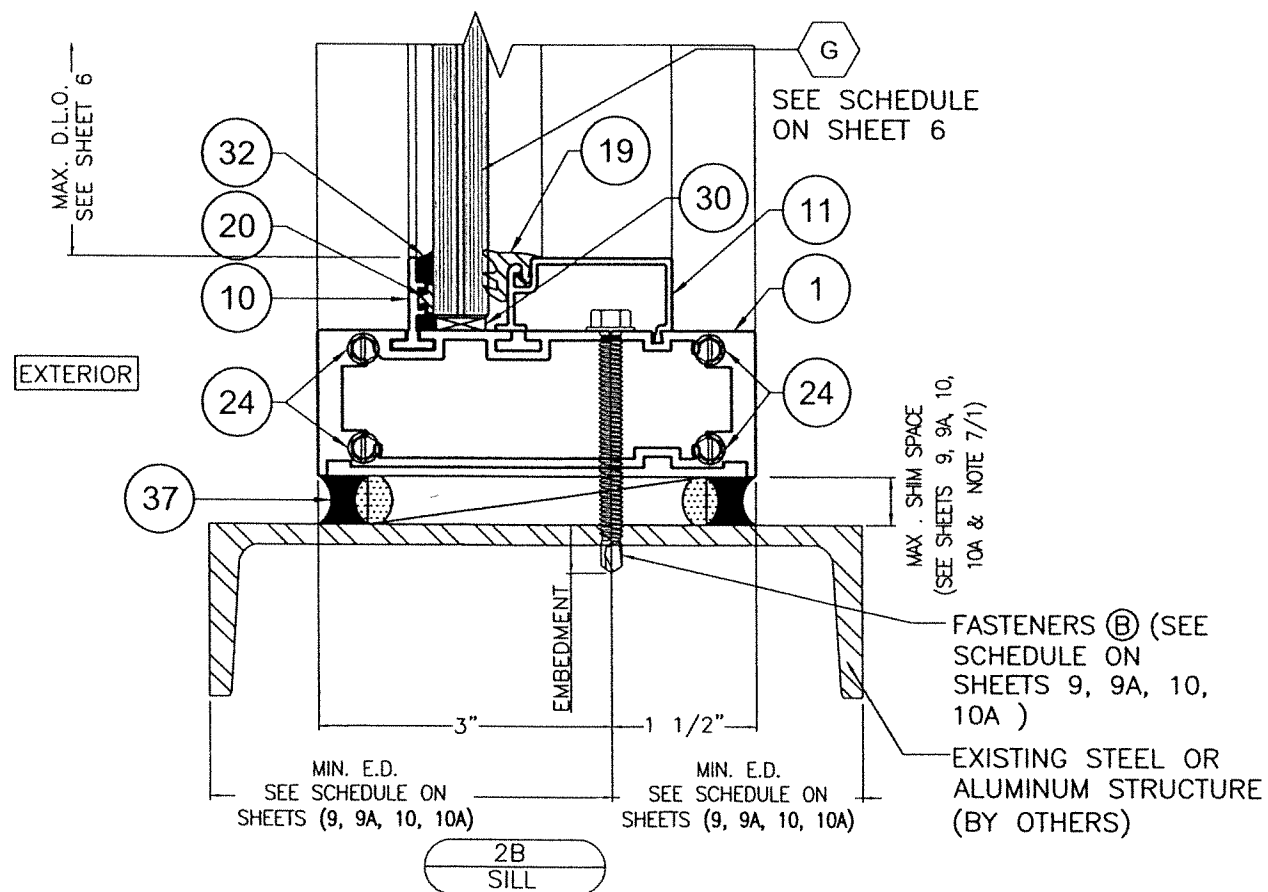
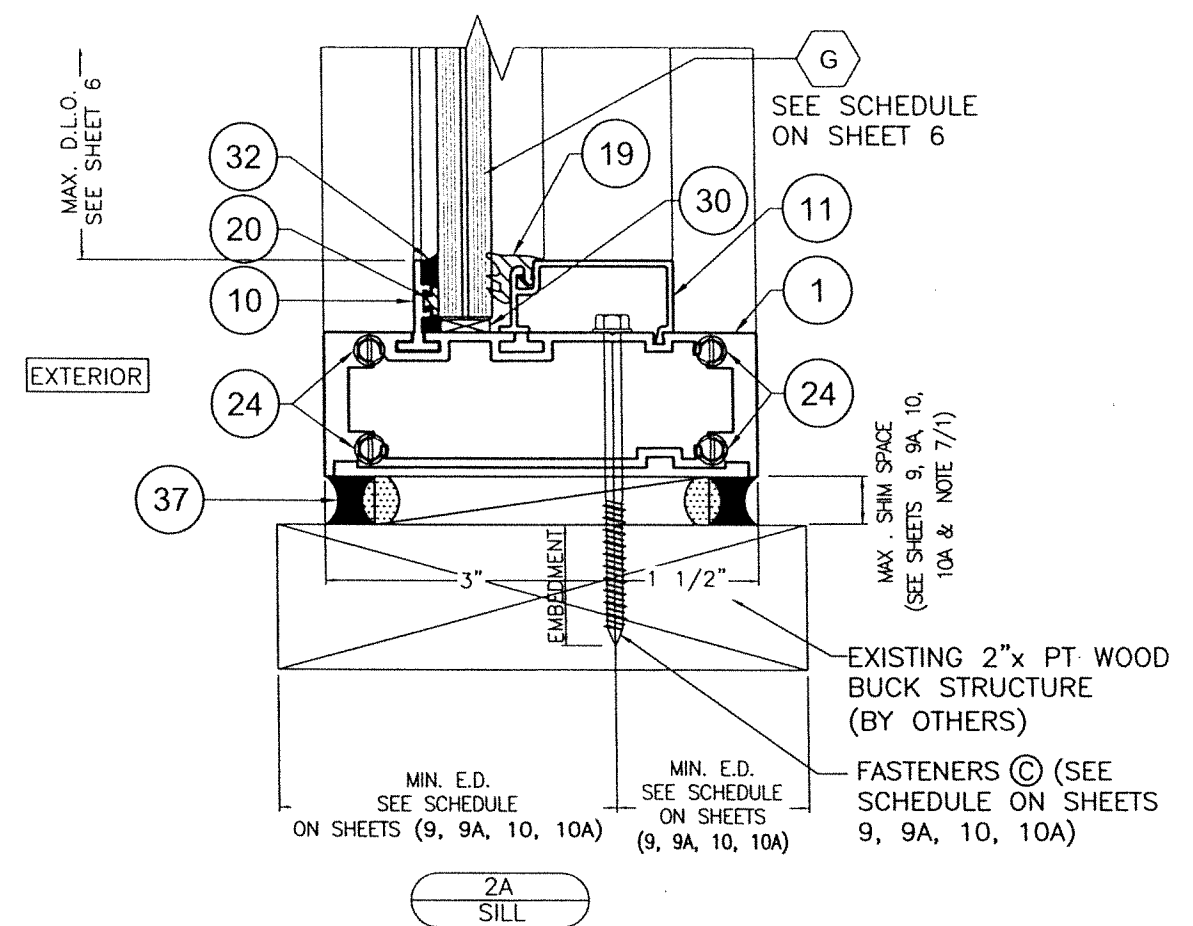
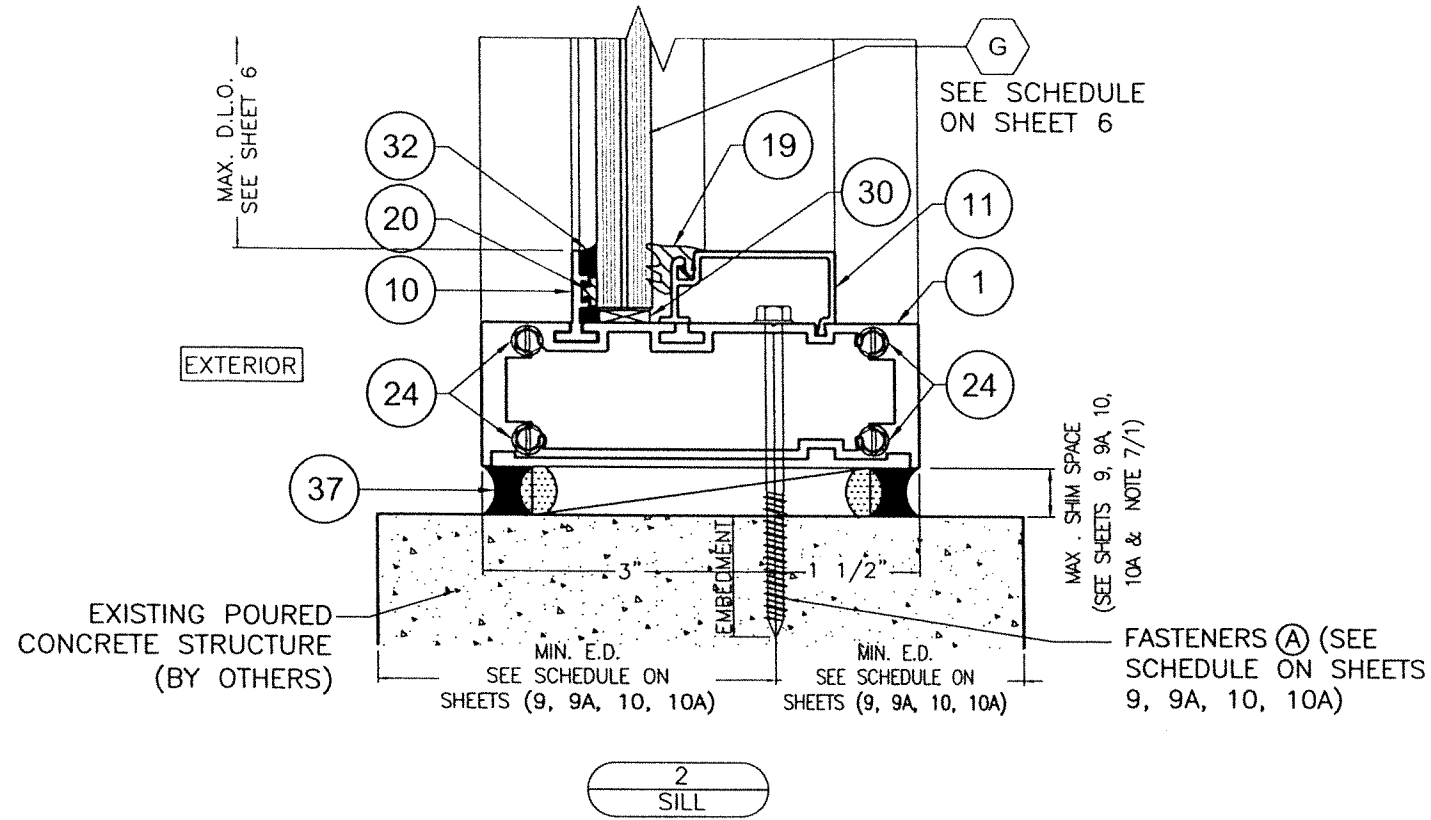
OPTIONAL SYSTEM #1



FLORIDA BUILDING CODE (High & Non High Velocity Hurricane Zone)

| | | | | | |
|--|---------------------------|--|--------------|---|-----------|
| © 2023 TILTECO INC. TILTECO INC. TILLIT TESTING & ENGINEERING COMPANY 6355 N.W. 36th St., Ste. 305 - VIRGINIA GARDENS, FL 33166 Phone: (305) 871-1530, Fax: (305) 871-1531 e-mail: tilteco@aol.com CA-0006719 WALTER A. TILLIT Jr., P.E. FLORIDA Lic. # 44167 | | HIGH IMPACT SERIES JAZZ 70,000 STOREFRONT SYSTEM W/ LARGE & SMALL MISSILE LAMINATED & INSULATED GLASS | | W.H DRAWN BY: | |
| | | 290 WEST 78 ROAD HIALEAH, FL 33014 PH: (954)226-5555/(305)558-8103 FAX: (305)558-6665 www.gigwindows.com | | 08/30/2023 DATE 23-204 DRAWING No | |
| REV. No 1 | DESCRIPTION OLD 20-276 | DATE 08/30/23 | REV. No 2 | DESCRIPTION - | DATE - |

SILL CONNECTION DETAILS W/ LAMINATED GLASS



OPTIONAL SYSTEM #1

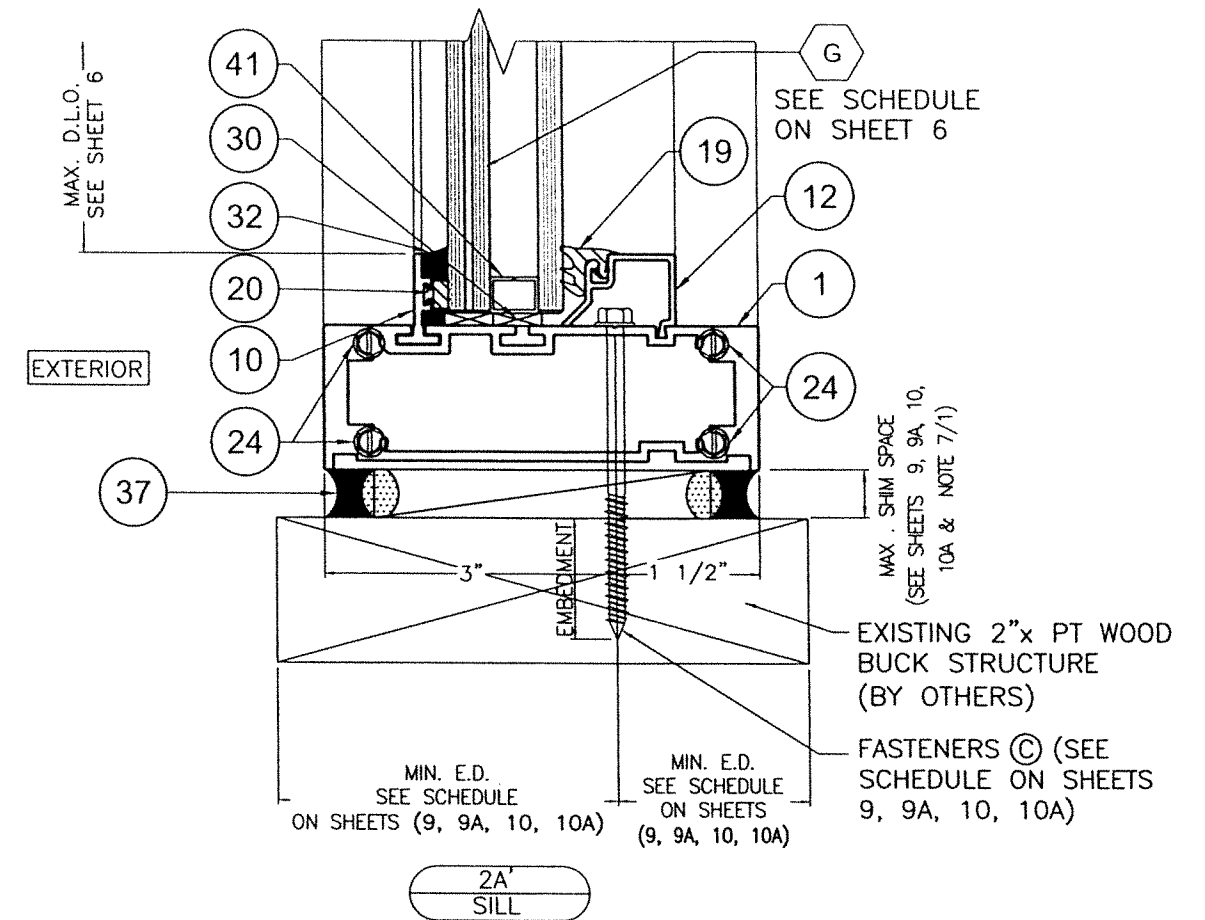
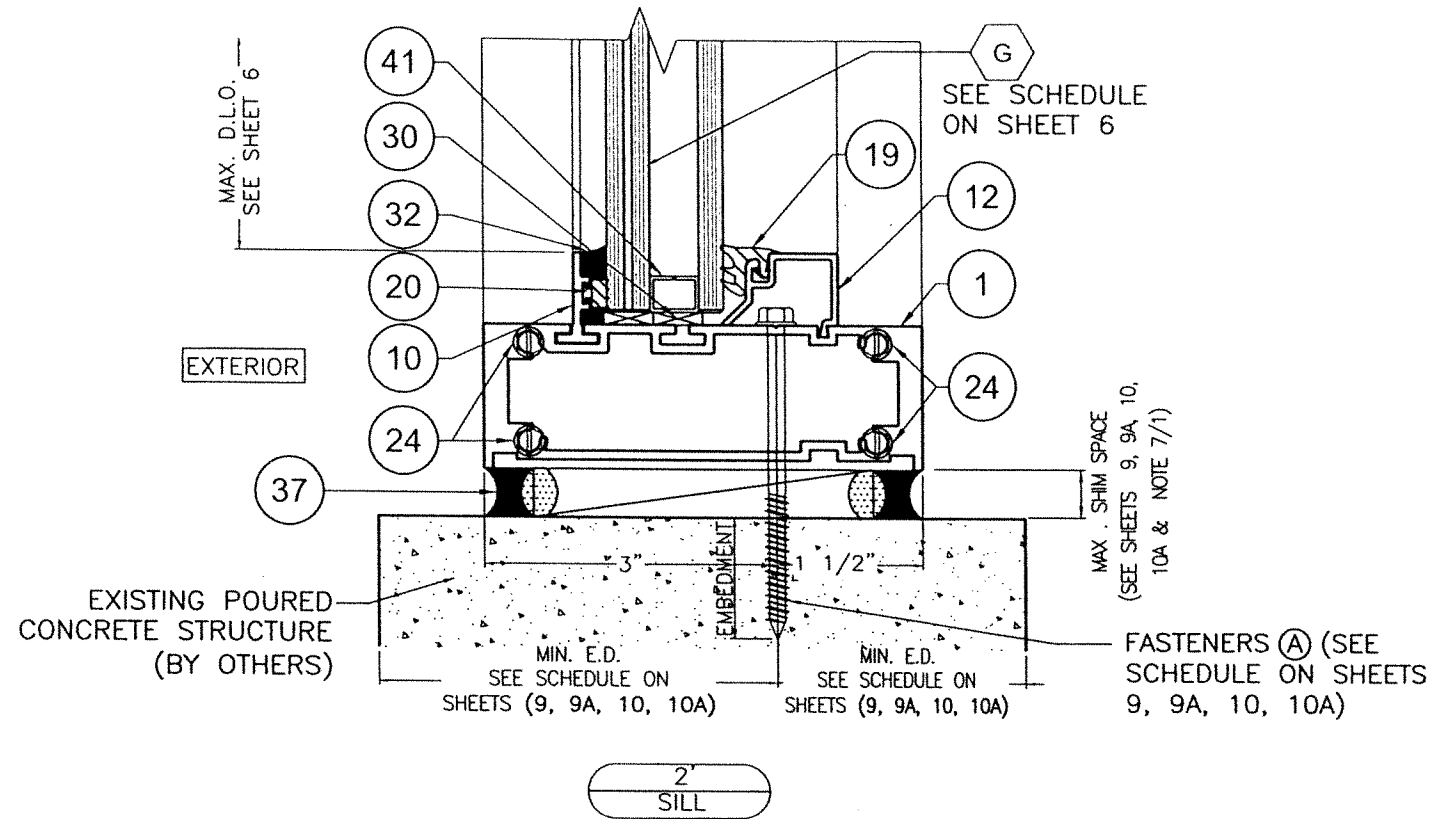
WALTER A. TILLIT JR.
LICENSE
No. 44167
FLORIDA
PROFESSIONAL ENGINEER
8/19/2023
P.E. SEAL/SIGNATURE/DATE

FLORIDA BUILDING CODE (High & Non High Velocity Hurricane Zone)

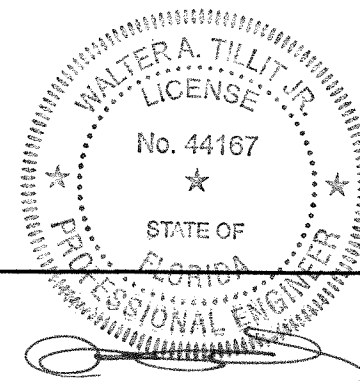
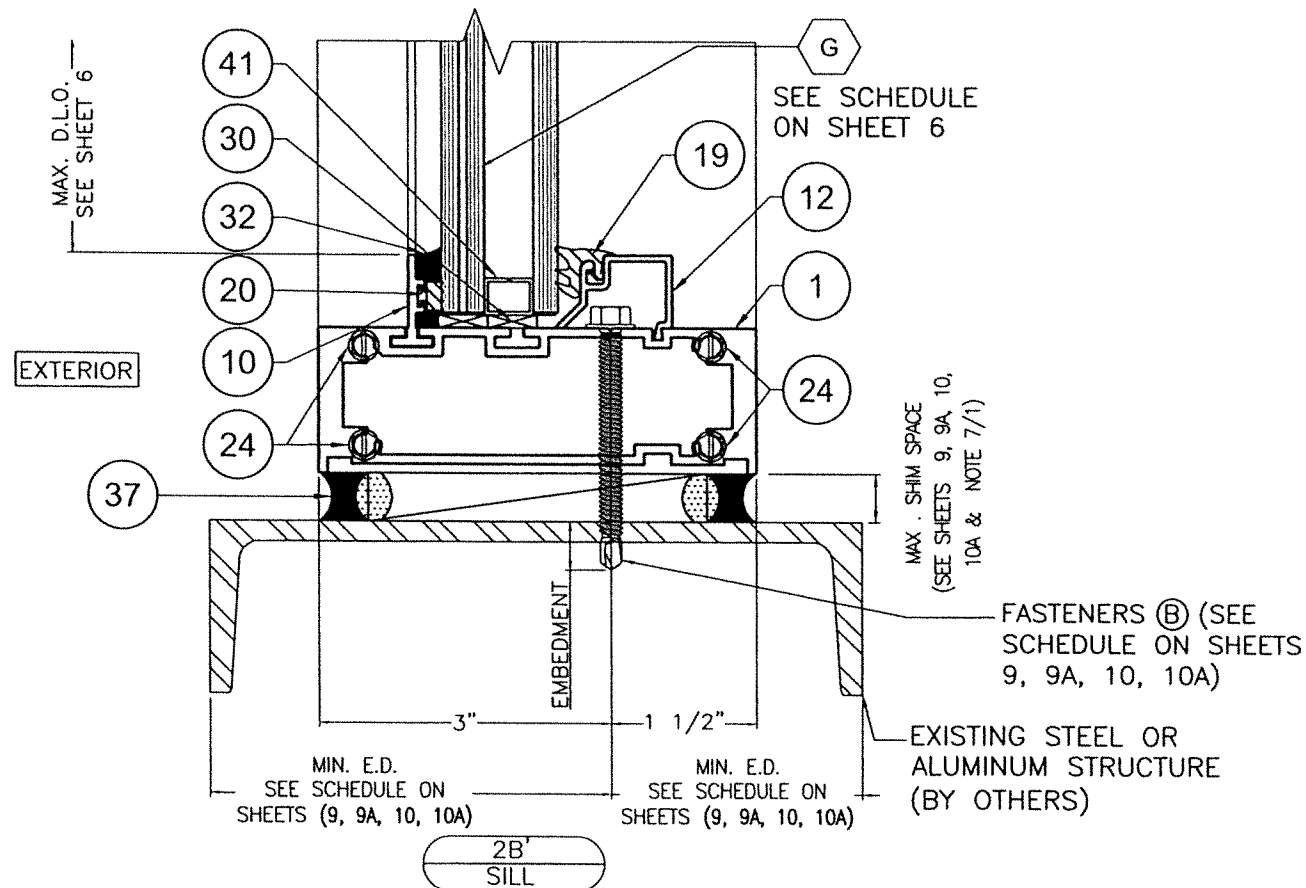
© 2023 TILTECO INC.
TILTECO INC.
TILLIT TESTING & ENGINEERING COMPANY
6355 N.W. 36th St., Ste. 305 - VIRGINIA GARDENS, FL 33166
Phone : (305) 871-1530 , Fax : (305) 871-1531
e-mail: tilteco@aol.com
CA-0006719
WALTER A. TILLIT Jr., P.E.
FLORIDA Lic. # 44167

| | | | | | |
|---|-------------|----------|--|-------------|------|
| HIGH IMPACT SERIES JAZZ 70,000 STOREFRONT SYSTEM W/ LARGE & SMALL MISSILE LAMINATED & INSULATED GLASS | | | W.H DRAWN BY: | | |
| | | | 290 WEST 78 ROAD HIALEAH, FL 33014 PH: (954)226-5555/(305)558-8103 FAX: (305)558-6665 www.gigwindows.com | | |
| | | | 08/30/2023 DATE | | |
| 23-204 DRAWING No | | | SHEET 14 OF 43 | | |
| REV. No | DESCRIPTION | DATE | REV. No | DESCRIPTION | DATE |
| 1 | OLD 20-276 | 08/30/23 | 2 | - | - |

SILL CONNECTION DETAILS W/ INSULATED GLASS



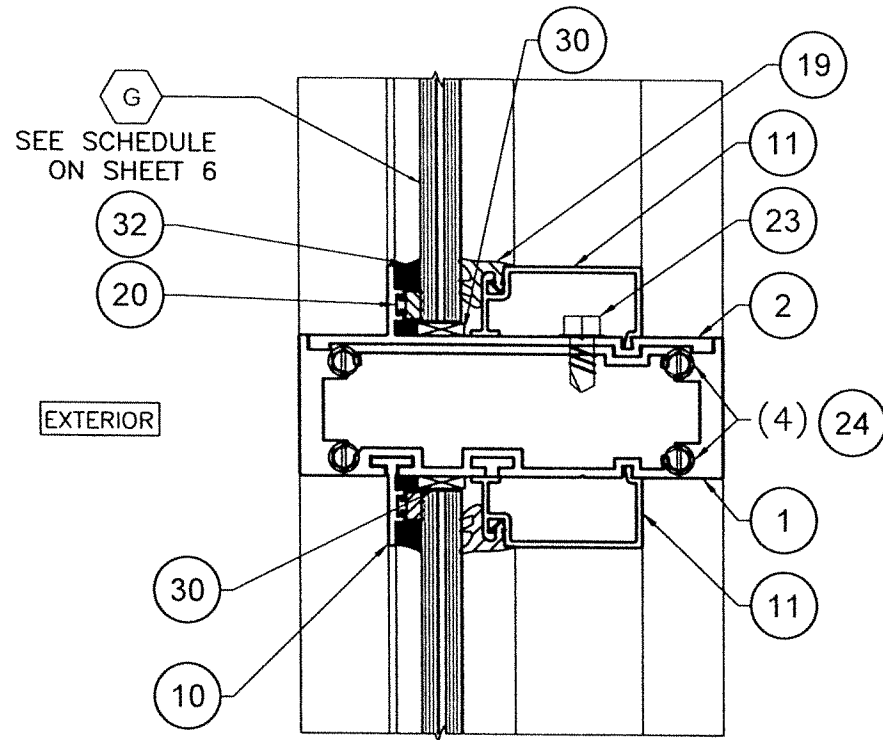
OPTIONAL SYSTEM #1



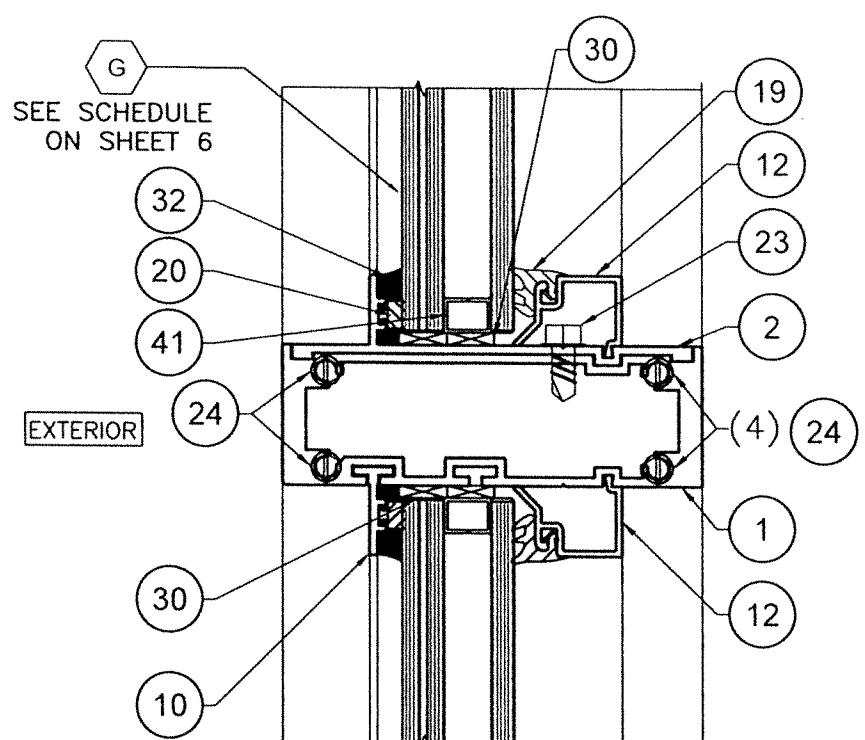
FLORIDA BUILDING CODE (High & Non High Velocity Hurricane Zone)

| | | | | | | |
|---|--------------------------------------|---|-------------------------|---|----------------------|-----------------------|
| <p>TILTECO INC. TILLIT TESTING & ENGINEERING COMPANY 6355 N.W. 36th St., Ste. 305 - VIRGINIA GARDENS, FL 33166 Phone: (305) 871-1530, Fax: (305) 871-1531 e-mail: tilteco@aol.com CA-0006719 WALTER A. TILLIT Jr., P.E. FLORIDA Lic. # 44167</p> | | <p>HIGH IMPACT SERIES JAZZ 70.000 STOREFRONT SYSTEM W/ LARGE & SMALL MISSILE LAMINATED & INSULATED GLASS</p> <p> 290 WEST 78 ROAD HIALEAH, FL 33014 PH: (954)226-5555/(305)558-8103 FAX: (305)558-6665 www.gigwindows.com</p> | | <p>W.H DRAWN BY:</p> <p>08/30/2023 DATE</p> <p>23-204 DRAWING No</p> | | |
| <p>REV. No</p> <p>1</p> | <p>DESCRIPTION</p> <p>OLD 20-276</p> | <p>DATE</p> <p>08/30/23</p> | <p>REV. No</p> <p>2</p> | <p>DESCRIPTION</p> <p>-</p> | <p>DATE</p> <p>-</p> | <p>SHEET 15 OF 43</p> |

HORIZONTAL MULLION DETAILS

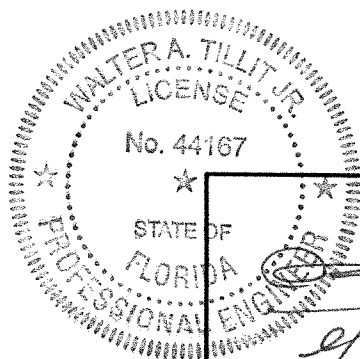


3
HORIZONTAL MULLION
W/ LAMINATED GLASS



3'
HORIZONTAL MULLION
W/ INSULATED GLASS

OPTIONAL SYSTEM #1

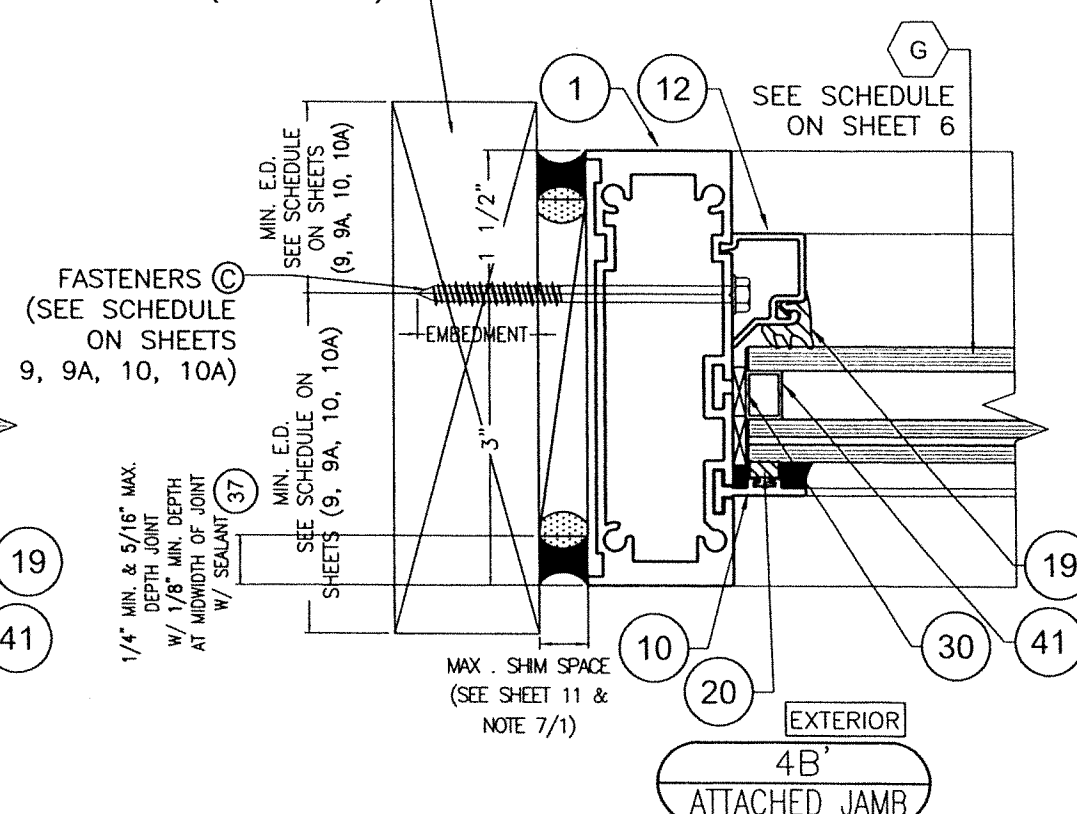
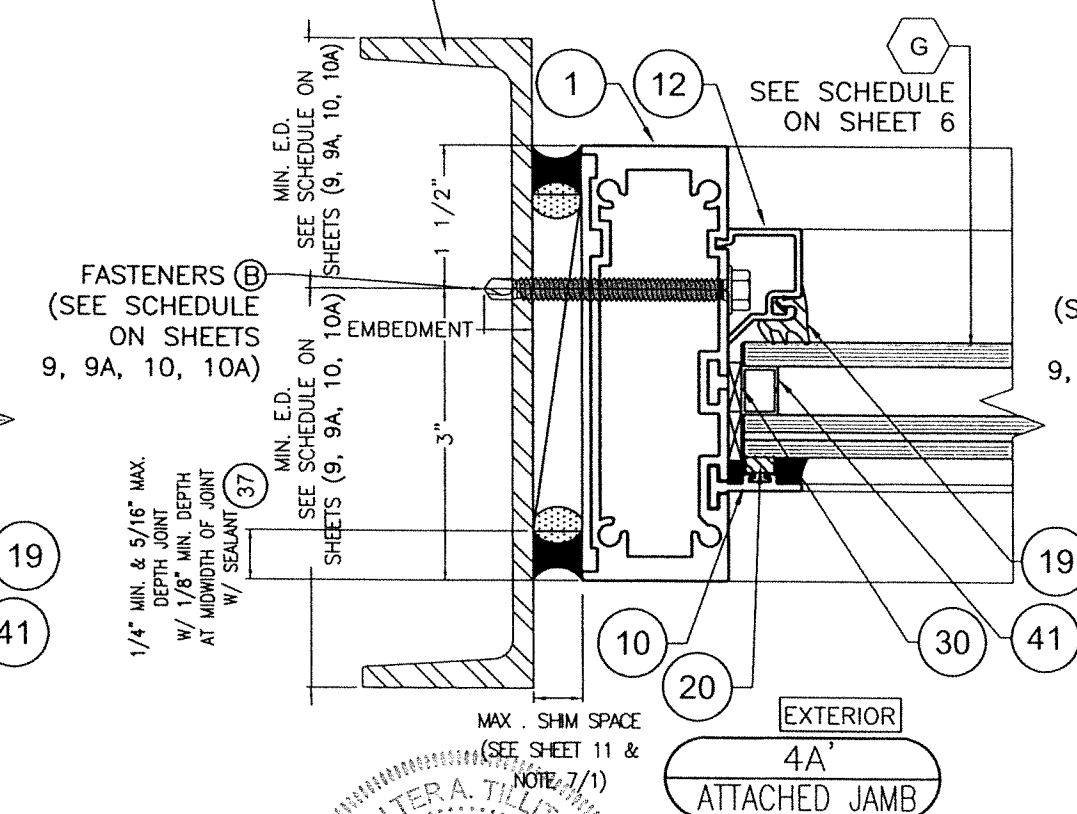
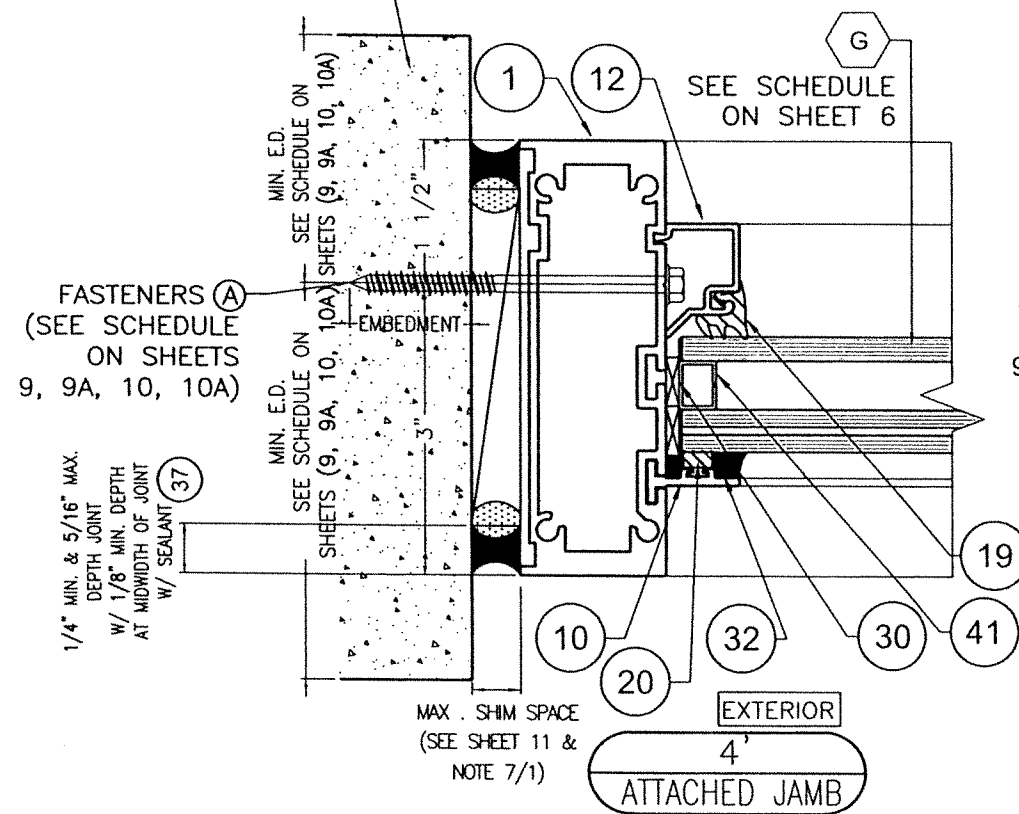
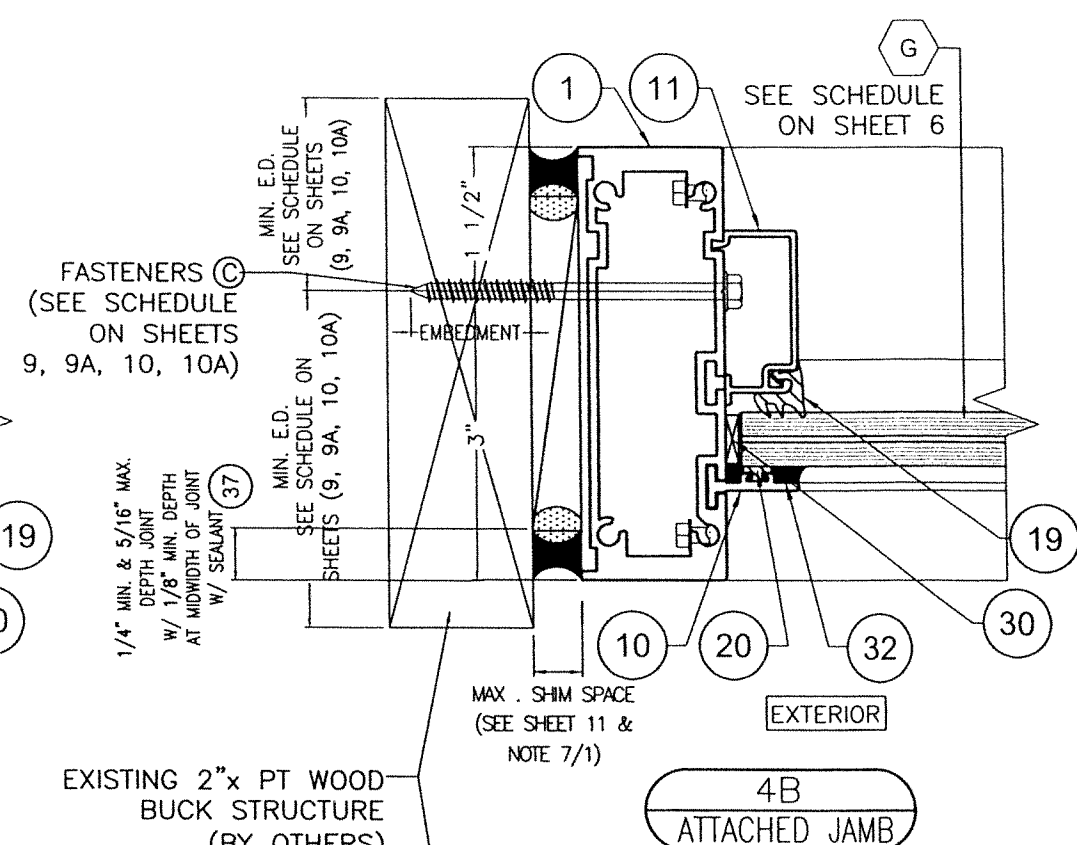
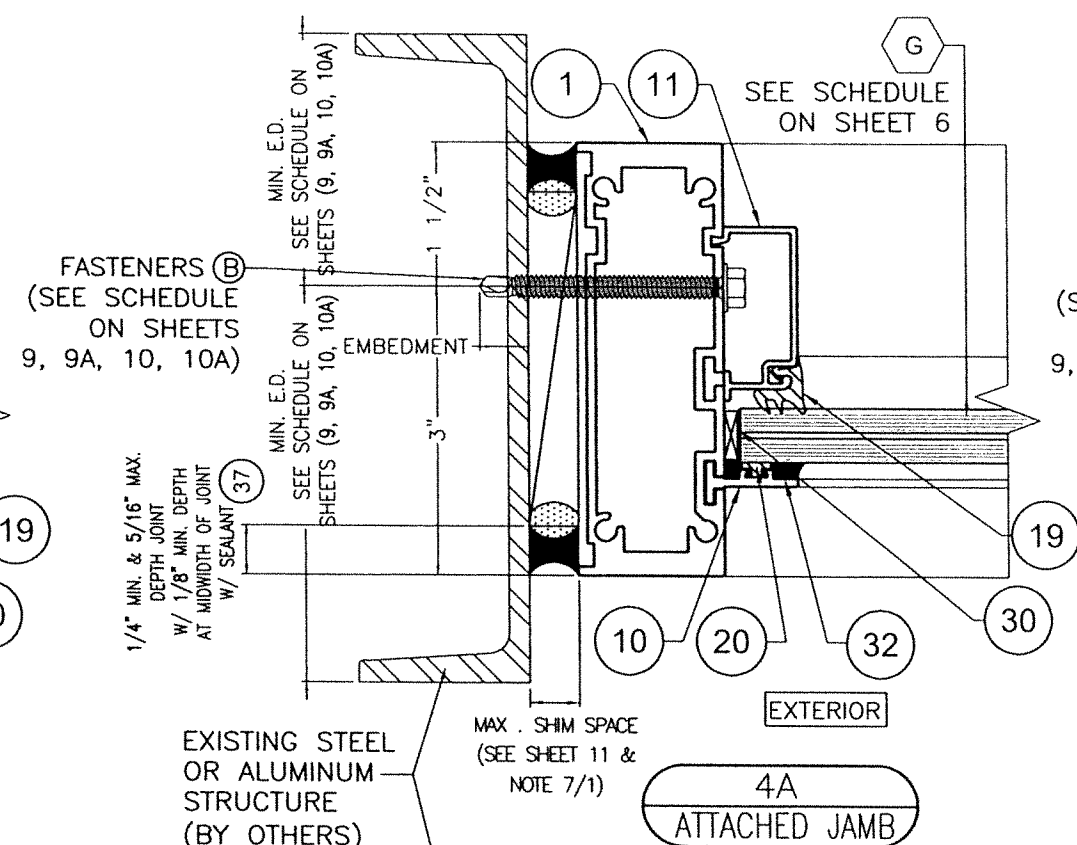
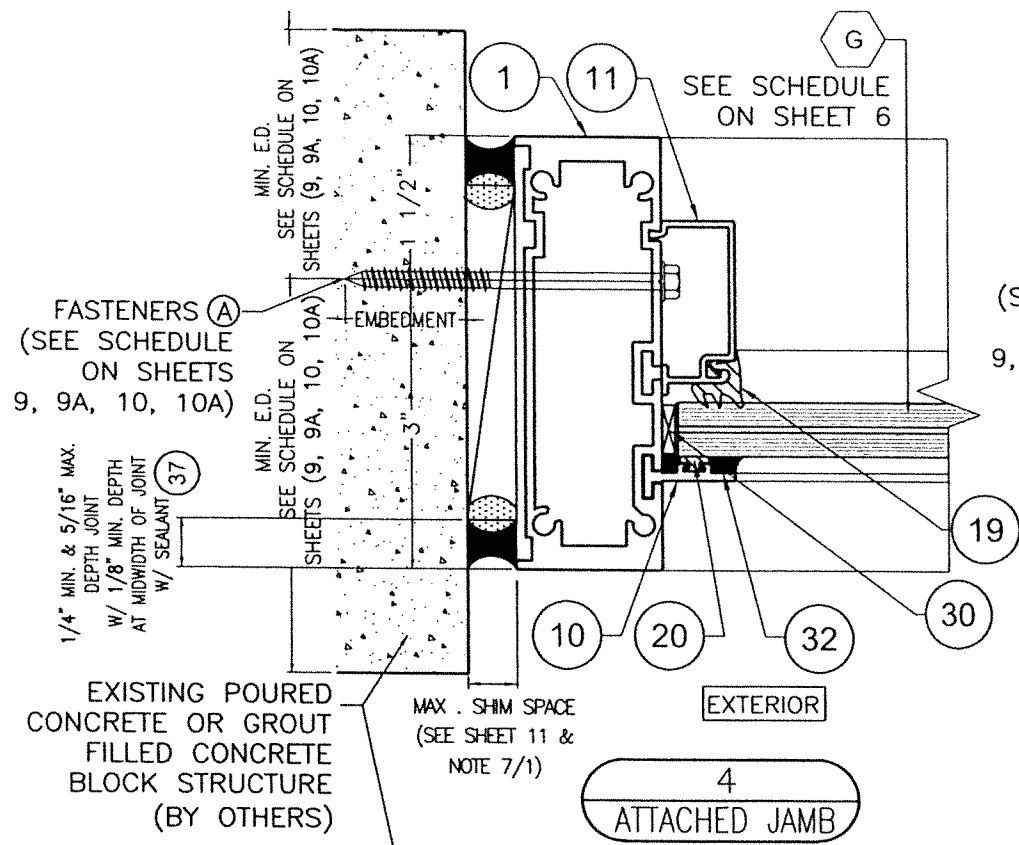


[Signature]
P.E. SEAL/SIGNATURE/DATE

FLORIDA BUILDING CODE (High & Non High Velocity Hurricane Zone)

© 2023 TILTECO INC.
TILTECO INC.
TILLIT TESTING & ENGINEERING COMPANY
6355 N.W. 36th St., Ste. 305 - VIRGINIA GARDENS, FL 33186
Phone : (305) 871-1530 , Fax : (305) 871-1531
e-mail: tilteco@aol.com
CA-0006719
WALTER A. TILLIT Jr., P.E.
FLORIDA Lic. # 44167

| | | |
|--|-------------|-----------------------------|
| HIGH IMPACT SERIES JAZZ 70.000 STOREFRONT SYSTEM W/ LARGE & SMALL MISSILE LAMINATED & INSULATED GLASS | | W.H DRAWN BY: |
| 290 WEST 78 ROAD HIALEAH, FL 33014 PH: (954)226-5555/(305)558-8103 FAX: (305)558-6665 www.gigwindows.com | | 08/30/2023 DATE |
| 23-204 DRAWING No | | 23-204 DRAWING No |
| REV. No | DESCRIPTION | DATE |
| 1 | OLD 20-278 | 08/30/23 |
| REV. No | DESCRIPTION | DATE |
| 2 | - | - |
| SHEET 16 OF 43 | | |



OPTIONAL SYSTEM #1

WALTER A. TILLIT JR.
 LICENSE
 No. 44167
 STATE OF FLORIDA
 PROFESSIONAL ENGINEER
 2/12/2023
 P.E. SEAL/SIGNATURE/DATE

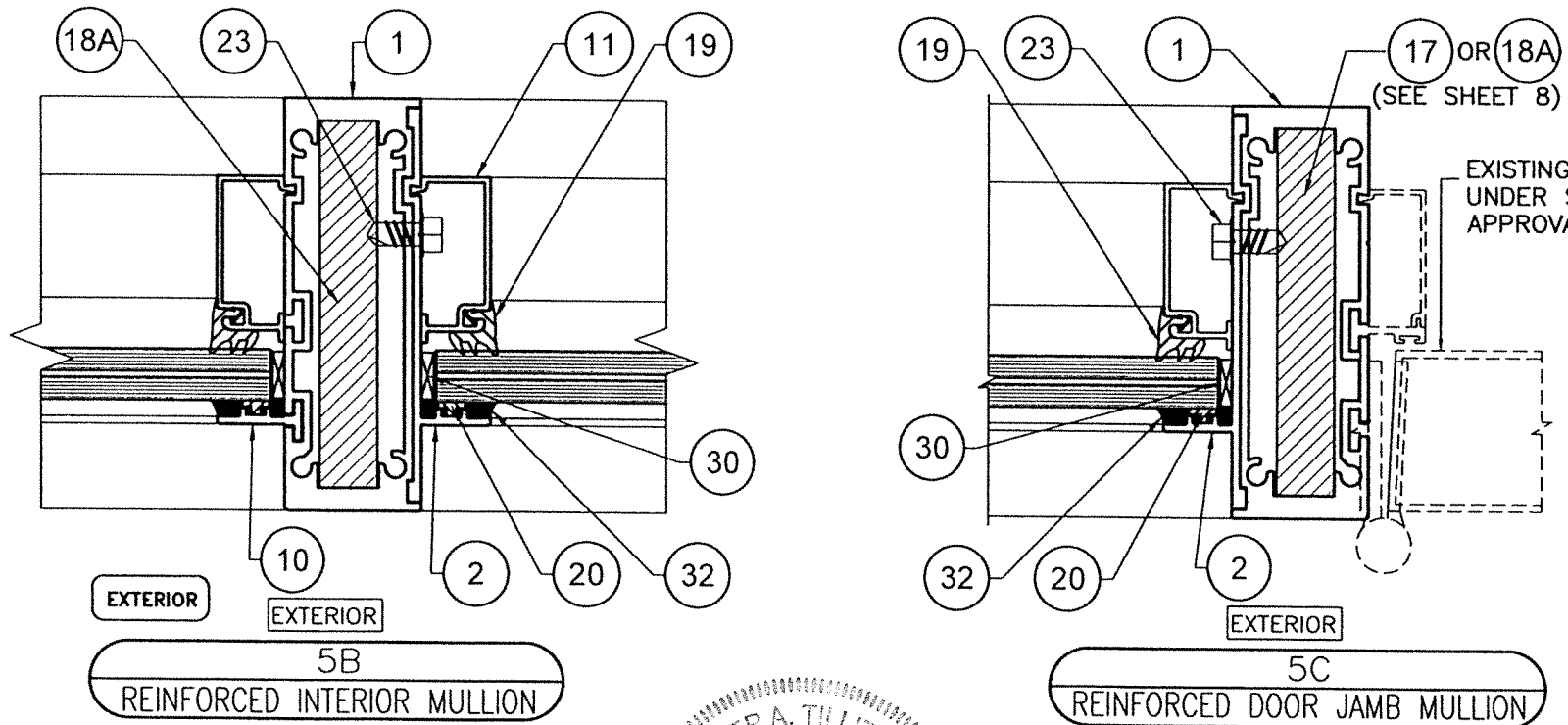
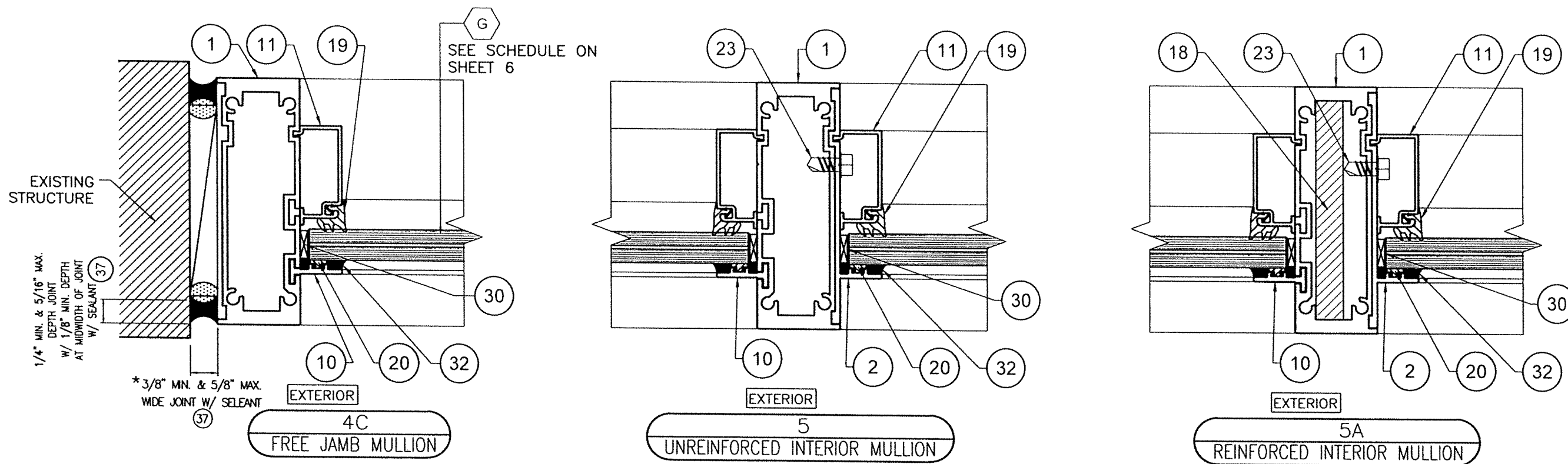
FLORIDA BUILDING CODE (High & Non High Velocity Hurricane Zone)

© 2023 TILTECO INC.

TILTECO INC.

TILLIT TESTING & ENGINEERING COMPANY
 6355 N.W. 36th St., Ste. 305 - VIRGINIA GARDENS, FL 33114
 Phone : (305) 871-1530 , Fax : (305) 871-1531
 e-mail: tilteco@aol.com
 CA-0006719
 WALTER A. TILLIT Jr., P.E.
 FLORIDA Lic. # 44167

| HIGH IMPACT SERIES JAZZ 70,000 STOREFRONT SYSTEM W/ LARGE & SMALL MISSILE LAMINATED & INSULATED GLASS | | | W.H DRAWN BY: | | |
|--|-------------|----------|--------------------|-------------|------|
| 290 WEST 78 ROAD HIALEAH, FL 33014 PH: (954)226-5555/(305)558-8103 FAX: (305)558-6665 www.gigwindows.com | | | 08/30/2023 DATE | | |
| 23-204 DRAWING No | | | SHEET 17 OF 43 | | |
| REV. No | DESCRIPTION | DATE | REV. No | DESCRIPTION | DATE |
| 1 | OLD 20-276 | 08/30/23 | 2 | - | - |



* NOTE: INDICATED MAXIMUM AND MINIMUM VALUES FOR SPECIFIED SEALANT VERTICAL JOINT WIDTH AT JAMBS CONNECTED & NOT CONNECTED TO WALL (FREE STANDING) HAVE BEEN DETERMINED ONLY TAKING INTO CONSIDERATION THE ACTUAL MOVEMENT OF GLASS WALL AT JAMBS DUE TO THERMAL, WIND AND ITS OWN CONSTRUCTION TOLERANCE, AND NOT PERFORMANCE FACTORS FROM THE SURROUNDING STRUCTURE.

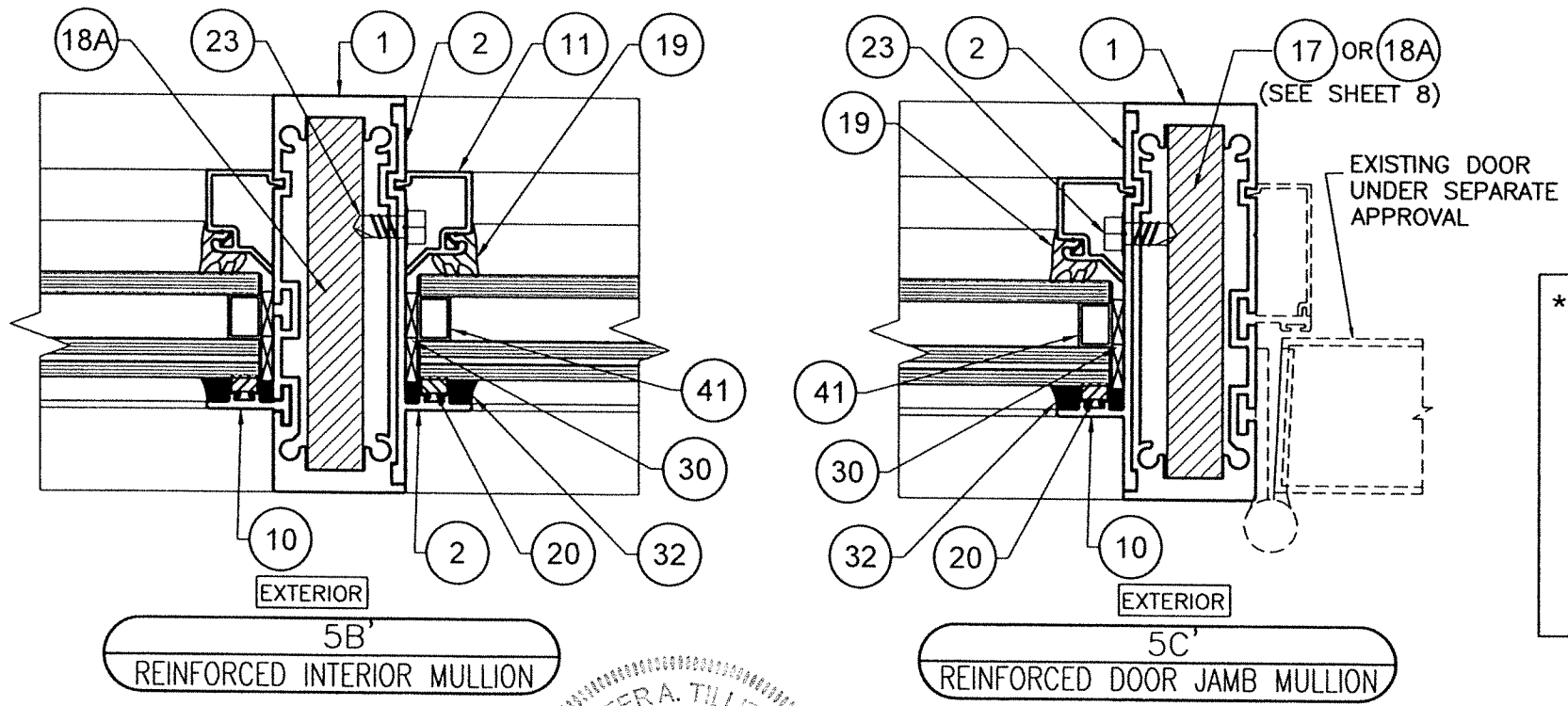
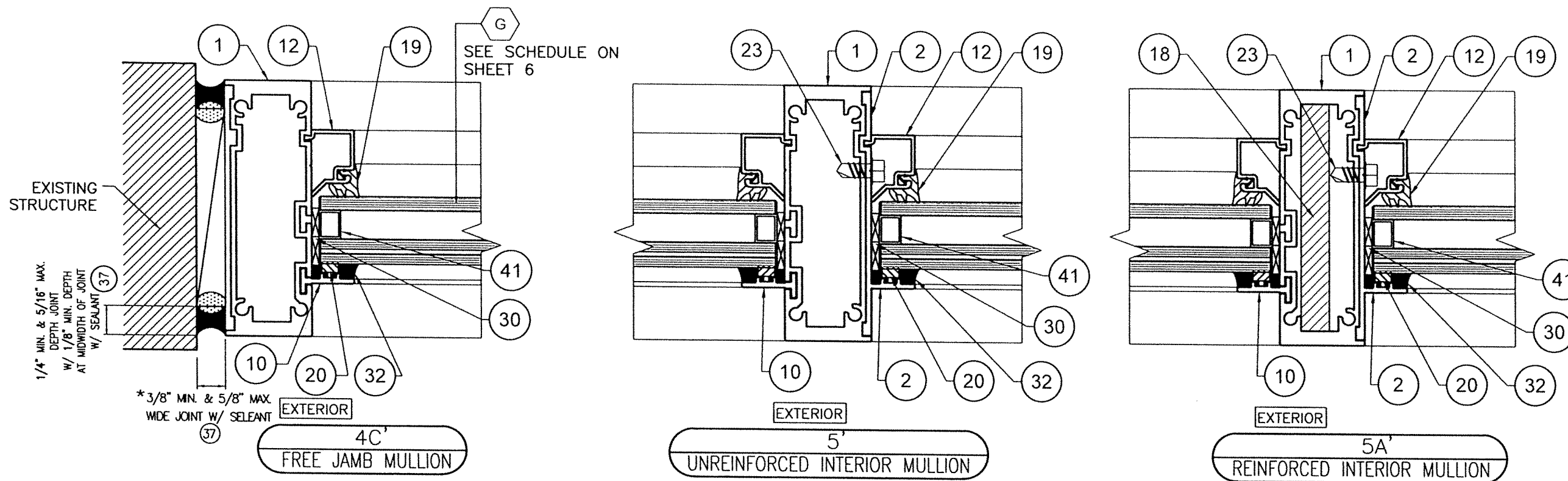
OPTIONAL SYSTEM #1

WALTER A. TILLIT JR.
LICENSE
No. 44167
STATE OF FLORIDA
PROFESSIONAL ENGINEER
W.A. Tillit Jr.
P.E. SEAL/SIGNATURE/DATE

FLORIDA BUILDING CODE (High & Non High Velocity Hurricane Zone)

© 2023 TILTECO INC.
TILTECO INC.
TILLIT TESTING & ENGINEERING COMPANY
6355 N.W. 36th St., Ste. 305 - VIRGINIA GARDENS, FL 33166
Phone: (305) 871-1530, Fax: (305) 871-1531
e-mail: tilteco@aol.com
CA-0006719
WALTER A. TILLIT Jr., P.E.
FLORIDA Lic. # 44167

| | | | |
|---|-------------|--|---------|
| HIGH IMPACT SERIES JAZZ 70.000 STOREFRONT SYSTEM W/ LARGE & SMALL MISSILE LAMINATED & INSULATED GLASS | | W.H DRAWN BY: | |
| | | 290 WEST 78 ROAD HIALEAH, FL 33014 PH: (954)226-5555/(305)558-8103 FAX: (305)558-6665 www.gigwindows.com | |
| | | 08/30/2023 DATE | |
| | | 23-204 DRAWING No | |
| REV. No | DESCRIPTION | DATE | REV. No |
| 1 | OLD 20-276 | 08/30/23 | 2 |




* NOTE: INDICATED MAXIMUM AND MINIMUM VALUES FOR SPECIFIED SEALANT VERTICAL JOINT WIDTH AT JAMBS CONNECTED & NOT CONNECTED TO WALL (FREE STANDING) HAVE BEEN DETERMINED ONLY TAKING INTO CONSIDERATION THE ACTUAL MOVEMENT OF GLASS WALL AT JAMBS DUE TO THERMAL, WIND AND ITS OWN CONSTRUCTION TOLERANCE, AND NOT PERFORMANCE FACTORS FROM THE SURROUNDING STRUCTURE.

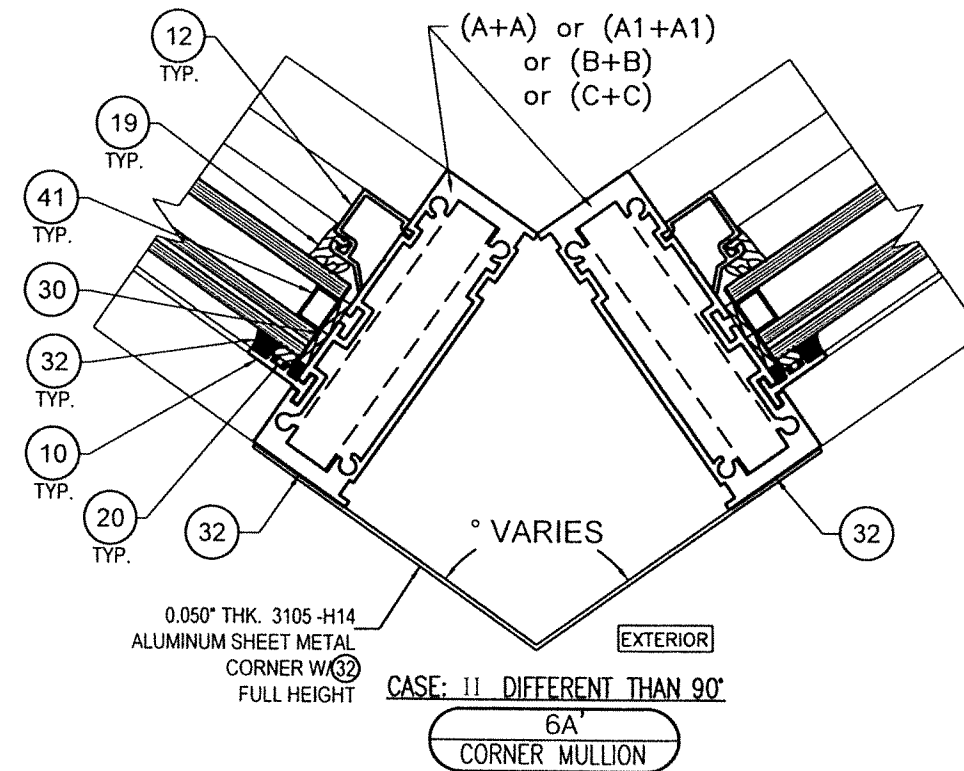
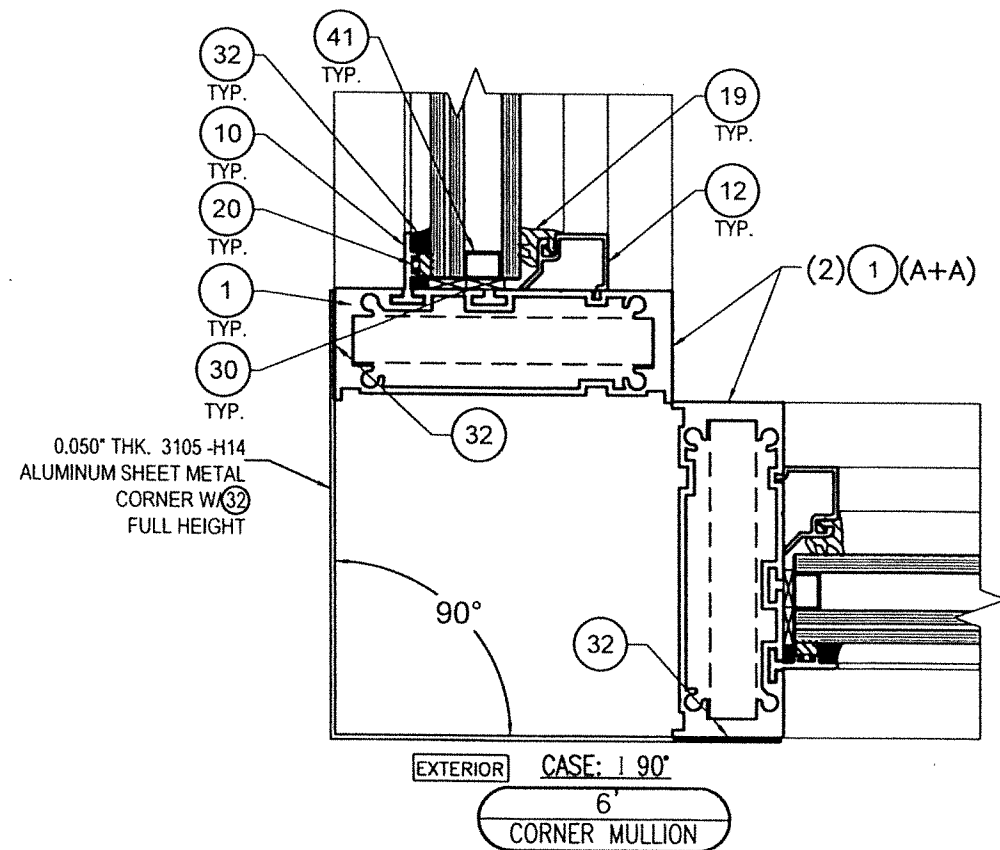
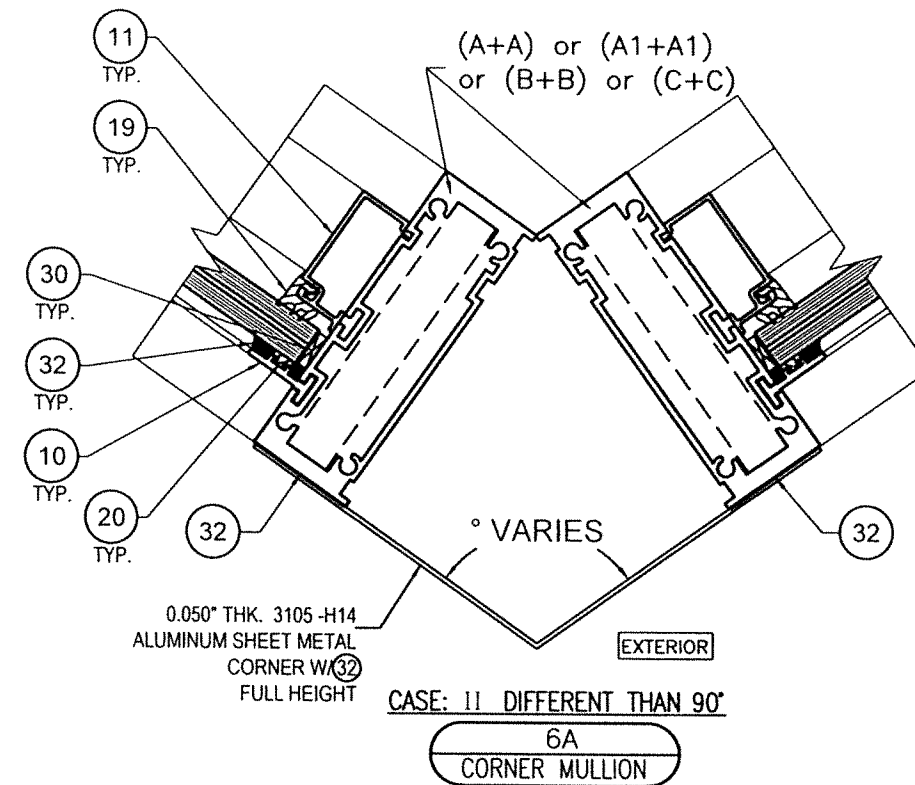
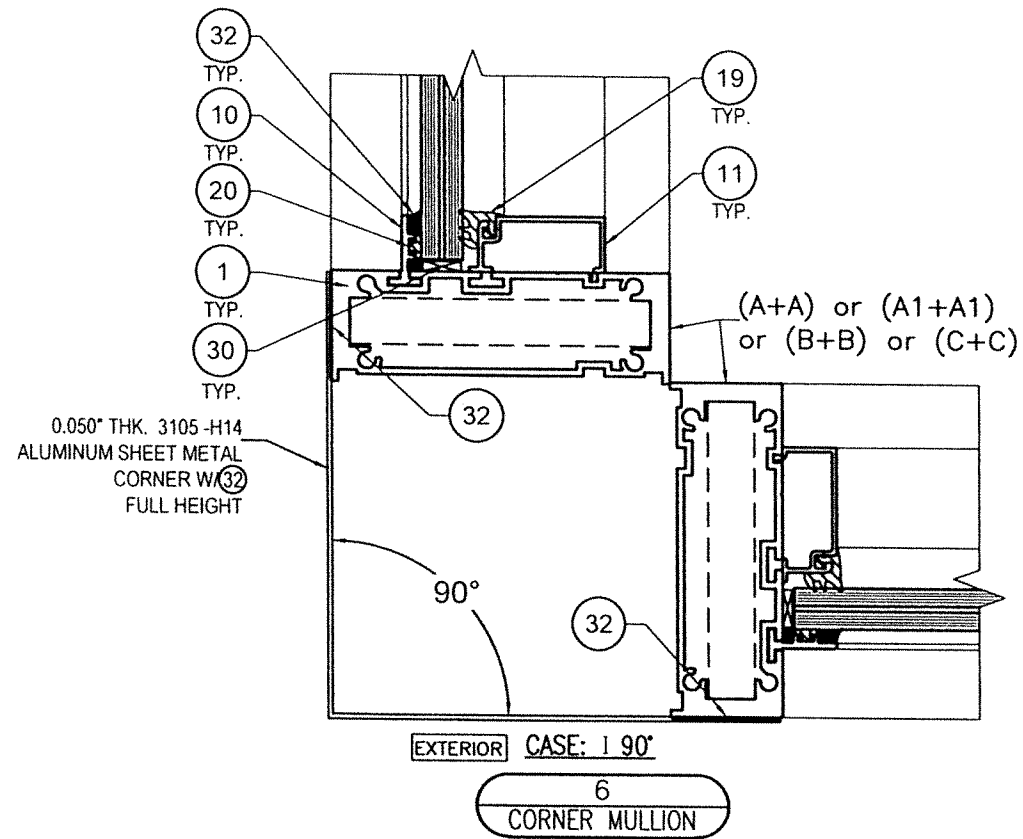
OPTIONAL SYSTEM #1

WALTER A. TILLIT JR.
LICENSE
No. 44167
STATE OF FLORIDA
PROFESSIONAL ENGINEER
08/19/2023
P.E. SEAL/SIGNATURE/DATE

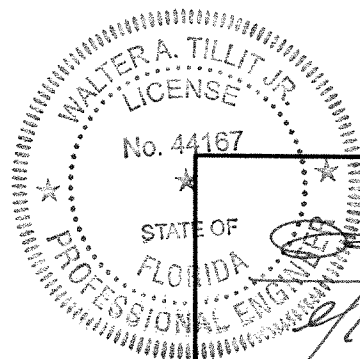
FLORIDA BUILDING CODE (High & Non High Velocity Hurricane Zone)

© 2023 TILTECO INC.
TILTECO INC.
TILLIT TESTING & ENGINEERING COMPANY
6355 N.W. 36th St., Ste. 305 - VIRGINIA GARDENS, FL 33166
Phone : (305) 871-1530 · Fax : (305) 871-1531
e-mail: tilteco@aol.com
CA-0006719
WALTER A. TILLIT Jr., P.E.
FLORIDA Lic. # 44167

| | | |
|---|-------------|-----------------------------|
| HIGH IMPACT SERIES JAZZ 70,000 STOREFRONT SYSTEM W/ LARGE & SMALL MISSILE LAMINATED & INSULATED GLASS | | W.H DRAWN BY: |
|  290 WEST 78 ROAD HIALEAH, FL 33014 PH: (954)226-5555/(305)558-8103 FAX: (305)558-6665 www.gigwindows.com | | 08/30/2023 DATE |
| | | 23-204 DRAWING No |
| REV. No | DESCRIPTION | DATE |
| 1 | OLD 20-278 | 08/30/23 |
| REV. No | DESCRIPTION | DATE |
| 2 | - | - |
| | | SHEET 19 OF 43 |



OPTIONAL SYSTEM #1

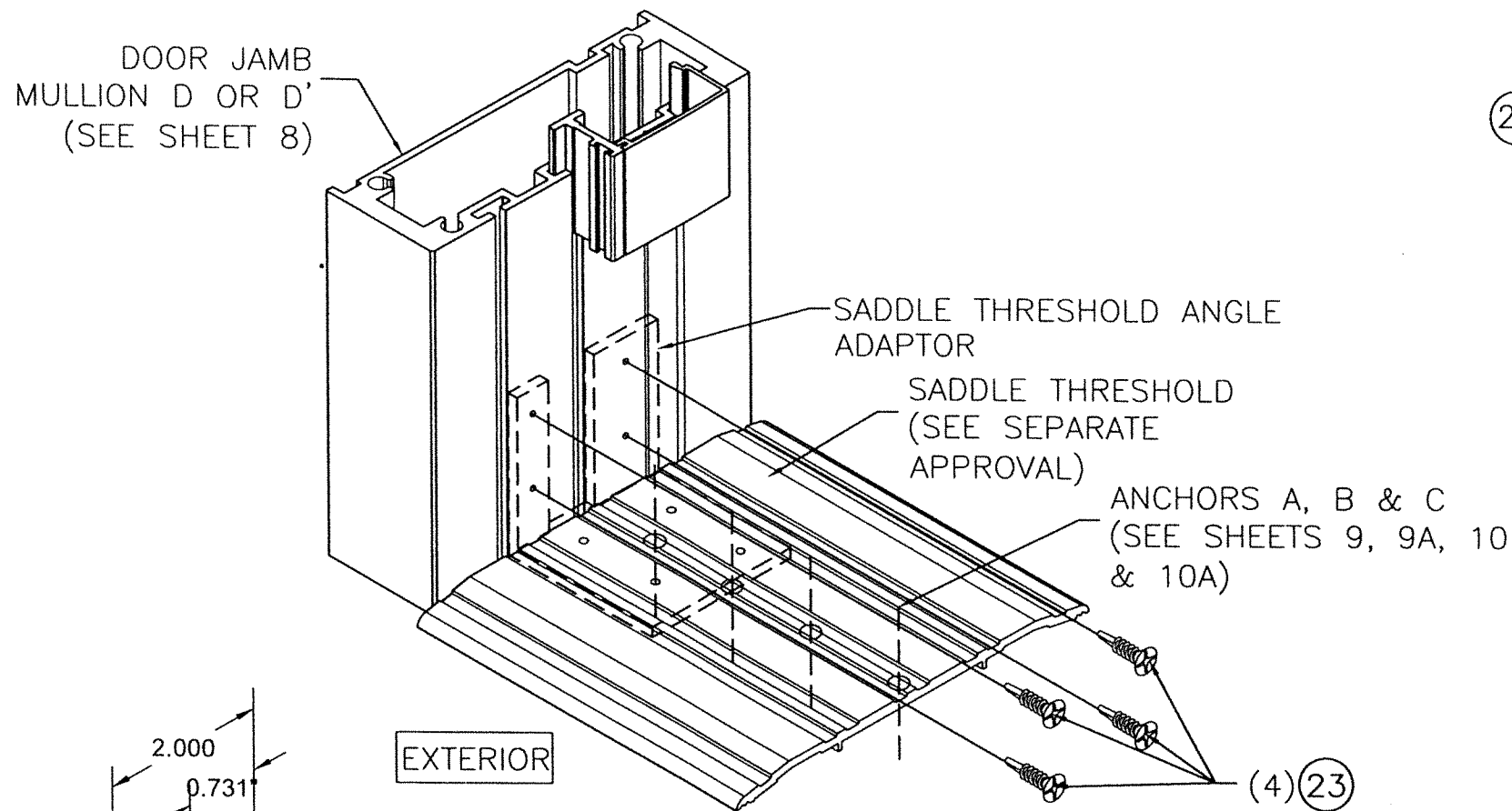


Walter A. Tillit Jr.
P.E. SEAL/SIGNATURE/DATE

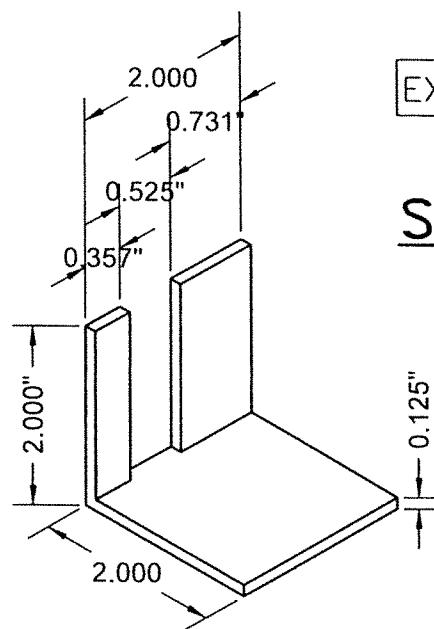
© 2023 TILTECO INC.
TILTECO INC.
TILLIT TESTING & ENGINEERING COMPANY
8355 N.W. 36th St., Ste. 305 - VIRGINIA GARDENS, FL 33166
Phone: (305) 871-1530, Fax: (305) 871-1531
e-mail: tilteco@aol.com
CA-0006719
WALTER A. TILLIT JR., P.E.
FLORIDA Lic. # 44167

FLORIDA BUILDING CODE (High & Non High Velocity Hurricane Zone)

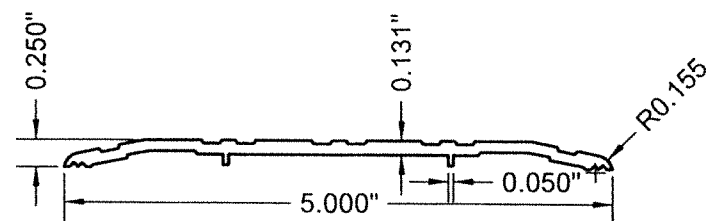
| | | | | | |
|--|-------------|----------------------|---------|-------------|------|
| HIGH IMPACT SERIES JAZZS 70.000 STOREFRONT SYSTEM W/ LARGE & SMALL MISSILE LAMINATED & INSULATED GLASS | | W.H DRAWN BY: | | | |
| 290 WEST 78 ROAD HIALEAH, FL 33014 PH: (954)228-5555/(305)558-8103 FAX: (305)558-6665 www.gigwindows.com | | 08/30/2023 DATE | | | |
| | | 23-204 DRAWING No | | | |
| REV. No | DESCRIPTION | DATE | REV. No | DESCRIPTION | DATE |
| 1 | OLD 20-278 | 08/30/23 | 2 | - | - |



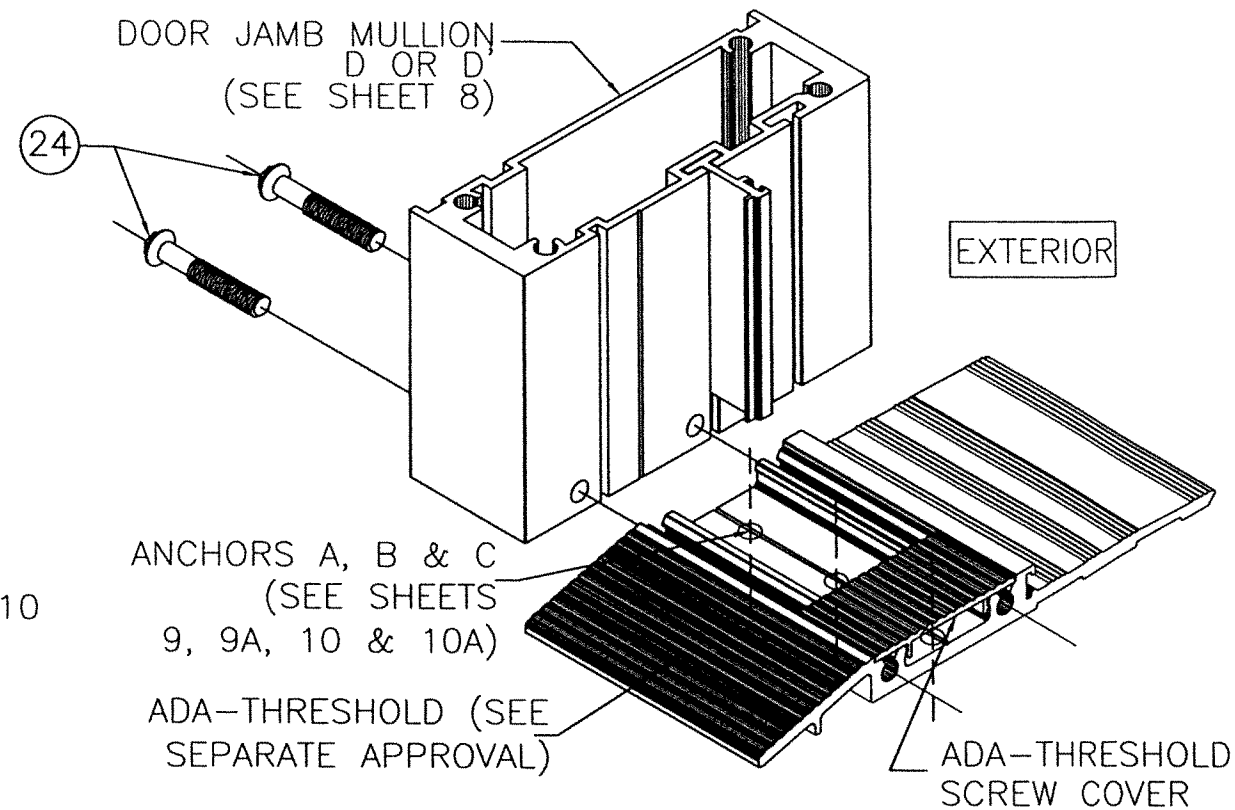
SADDLE THRESHOLD ASSEMBLY ISOMETRIC



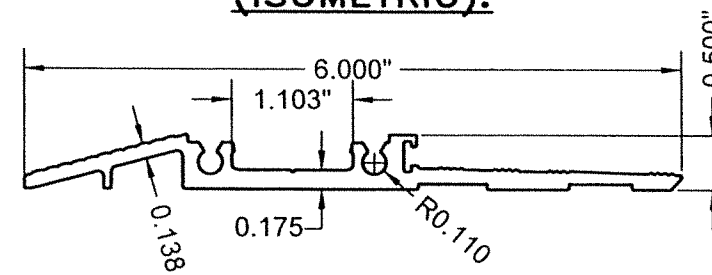
SADDLE THRESHOLD ANGLE ADAPTOR 2"X2"X1/8"X0'-2"
6063-T52 ALLOY



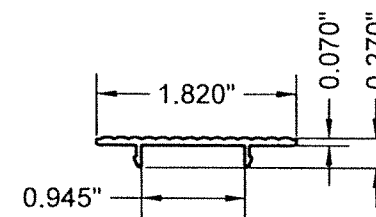
SADDLE THRESHOLD (SEE SEPARATE APPROVAL)
6063-T6 ALLOY



THRESHOLD ASSEMBLY (ISOMETRIC).



ADA-THRESHOLD (SEE SEPARATE APPROVAL)
6063-T6 ALLOY



ADA-THRESHOLD SCREW COVER
6063-T6 ALLOY

OPTIONAL SYSTEM #1

WALTER A. TILLIT JR.
LICENSE
No. 44167
STATE OF FLORIDA
PROFESSIONAL ENGINEER

[Signature]
P.E. SEAL/SIGNATURE/DATE

© 2023 TILTECO INC.

TILTECO INC.
TILLIT TESTING & ENGINEERING COMPANY
6355 N.W. 36th St., Ste. 305 - VIRGINIA GARDENS, FL 33166
Phone: (305) 871-1530 Fax: (305) 871-1531
e-mail: tilteco@aol.com
CA-0006719
WALTER A. TILLIT JR., P.E.
FLORIDA Lic. # 44167

HIGH IMPACT SERIES JAZZ 70.000 STOREFRONT SYSTEM W/ LARGE & SMALL MISSILE LAMINATED & INSULATED GLASS



290 WEST 78 ROAD
HIALEAH, FL 33014
PH: (954)226-5555/(305)558-8103
FAX: (305)558-6665
www.gigwindows.com

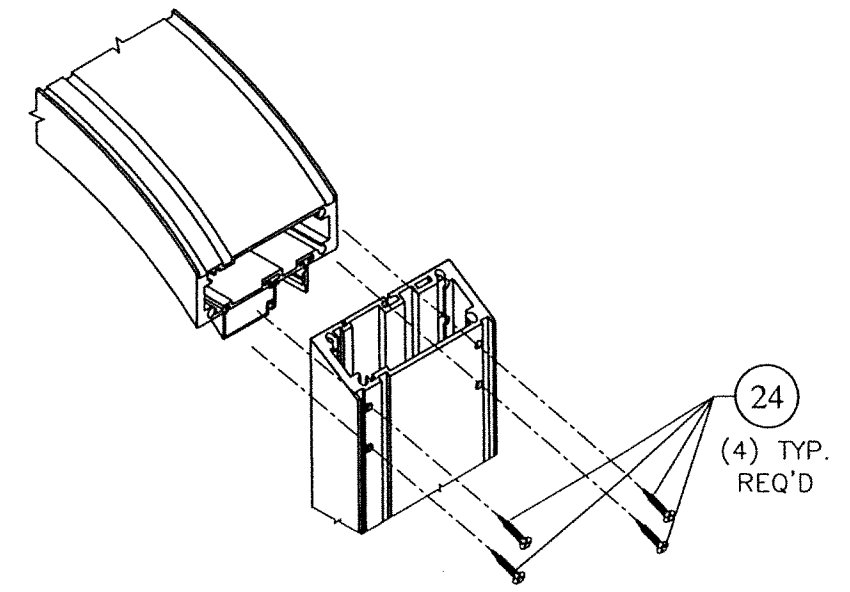
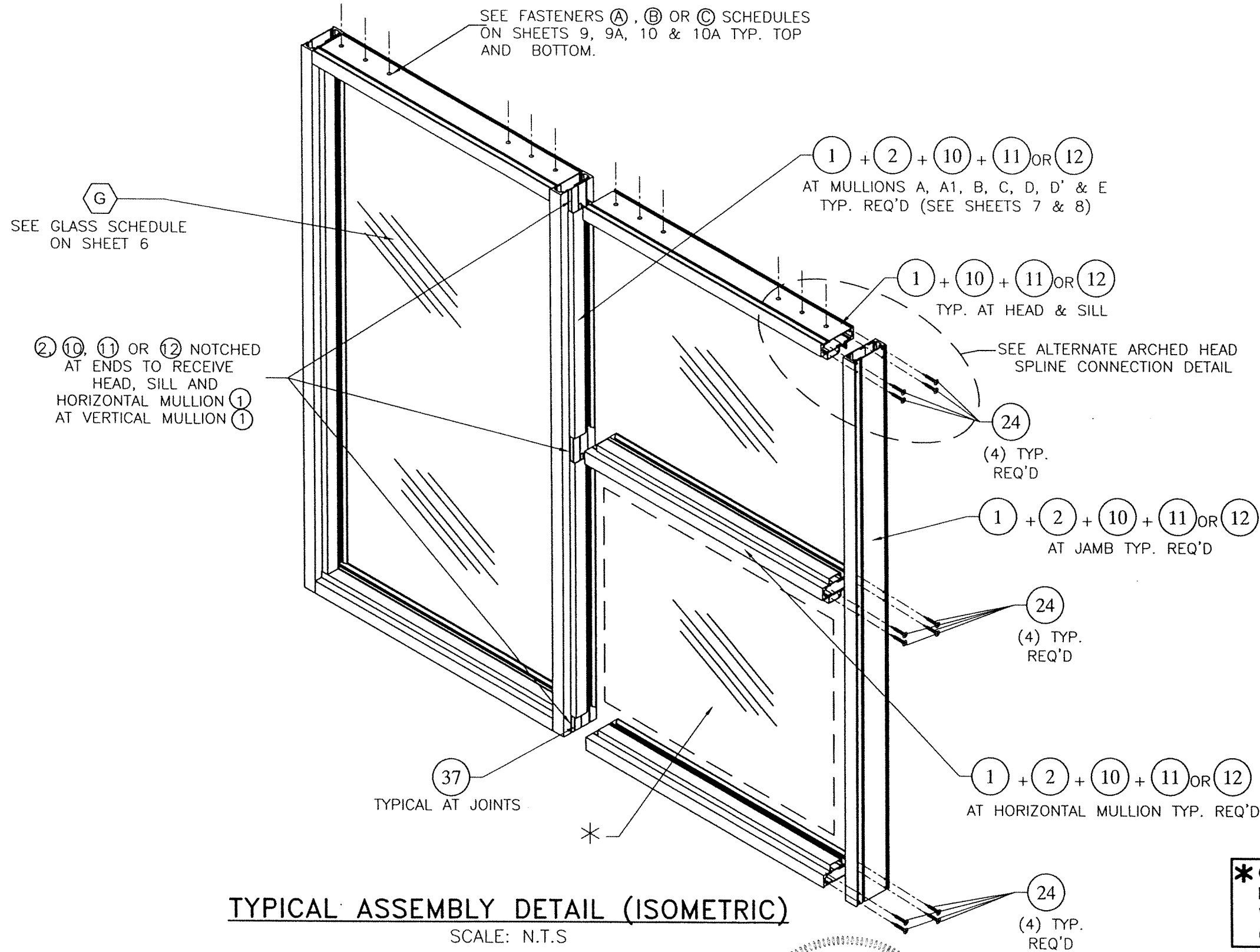
W.H
DRAWN BY:

08/30/2023
DATE

23-204
DRAWING No

| REV. No | DESCRIPTION | DATE | REV. No | DESCRIPTION | DATE |
|---------|-------------|----------|---------|-------------|------|
| 1 | OLD 20-278 | 08/30/23 | 2 | - | - |

FLORIDA BUILDING CODE (High & Non High Velocity Hurricane Zone)



ARCHED HEAD SPLINE CONNECTION DETAIL
SCALE: N.T.S

TYPICAL ASSEMBLY DETAIL (ISOMETRIC)
SCALE: N.T.S

* GLASS MAY BE REPLACED BY AN APPROVED IMPACT RESISTANT WINDOW OR DOOR. WINDOW OR DOOR ANCHORAGE SHALL BE AS PER ITS OWN APPROVAL

OPTIONAL SYSTEM #1

WALTER A. TILLIT JR.
LICENSE
No. 44167
STATE OF FLORIDA
PROFESSIONAL ENGINEER
9/2023
P.E. SEAL/SIGNATURE/DATE

FLORIDA BUILDING CODE (High & Non High Velocity Hurricane Zone)

© 2023 TILTECO INC.
TILTECO INC.
TILLIT TESTING & ENGINEERING COMPANY
6355 N.W. 36th. St., Ste. 305 - VIRGINIA GARDENS, FL. 33166
Phone : (305) 871-1530 , Fax : (305) 871-1531
e-mail: tilteco@aol.com
CA-0006719
WALTER A. TILLIT JR., P.E.
FLORIDA Lic. # 44167

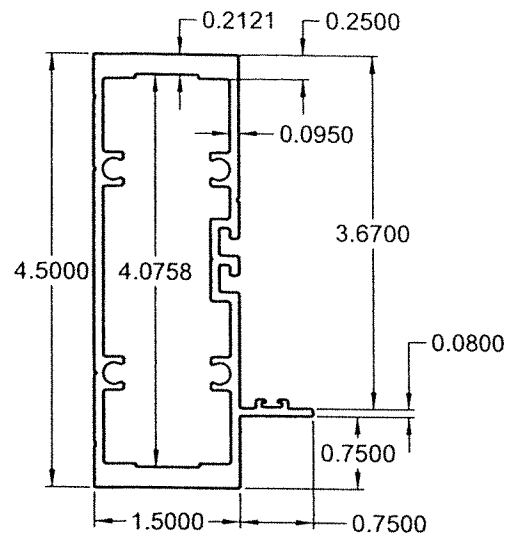
HIGH IMPACT SERIES JAZZ 70.000 STOREFRONT SYSTEM W/ LARGE & SMALL MISSILE LAMINATED & INSULATED GLASS

GIG WINDOWS & DOORS

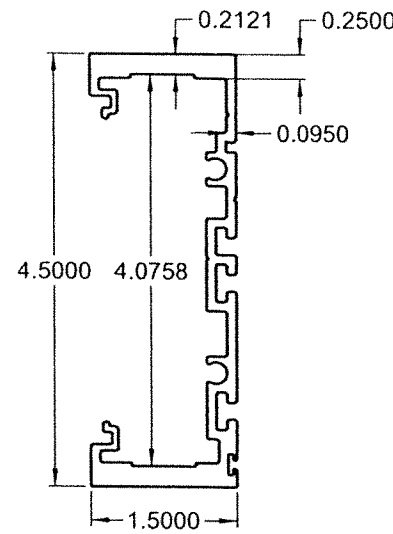
290 WEST 78 ROAD
HIALEAH, FL. 33014
PH: (954)226-5555/(305)558-8103
FAX: (305)558-6665
www.gigwindows.com

| REV. No | DESCRIPTION | DATE | REV. No | DESCRIPTION | DATE |
|---------|-------------|----------|---------|-------------|------|
| 1 | OLD 20-278 | 08/30/23 | 2 | - | - |

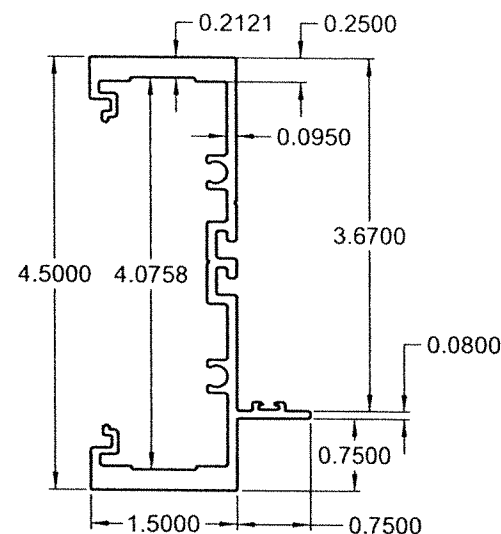
W.H
DRAWN BY:
08/30/2023
DATE
23-204
DRAWING No
SHEET 22 OF 43



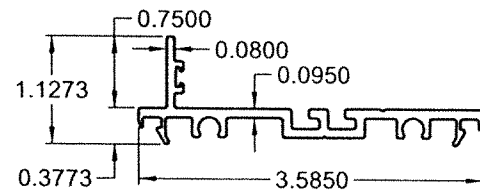
1 FRAME HEAD, JAMB & SILL.
6063-T6 ALLOY



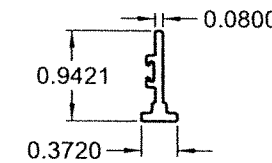
1A DOOR JAMB MULLION
6063-T6 ALLOY



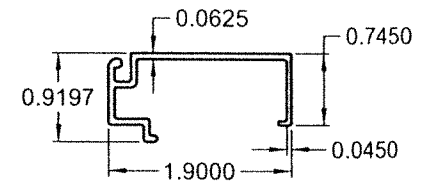
1B INTERIOR MULLION
6063-T6 ALLOY



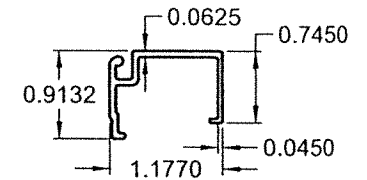
2 MULLION INSERT FOR 1A & 1B
6063-T6 ALLOY



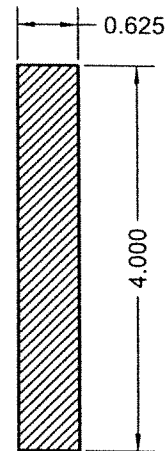
10 GLAZING ADAPTER FIXED PANEL
6063-T6 ALLOY



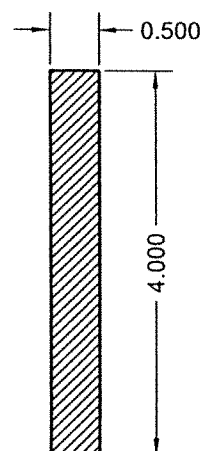
11 FIXED PANEL GLAZING BEAD LAMINATED GLASS
6063-T6 ALLOY



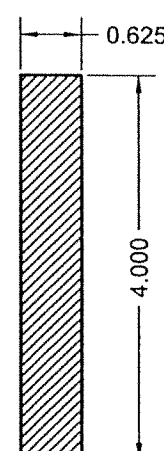
12 FIXED PANEL GLAZING STOP INSULATED GLASS
6063-T6 ALLOY



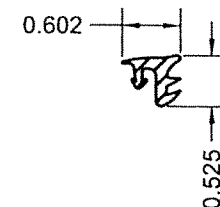
17 5/8" ALUMINUM REINFORCEMENT
6063-T6 ALLOY



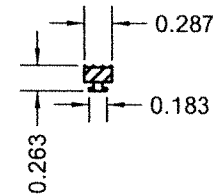
18 1/2" ALUMINUM REINFORCEMENT
6063-T6 ALLOY



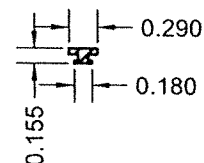
18A 5/8" STEEL REINFORCEMENT (EXTENDED PROTOCOL)



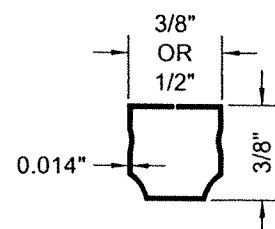
19 WEDGE GASKET
EPDM



20 SOLID RUBBER GASKET
NEOPRENE / NYLON



21 GLAZING GASKET
TPE

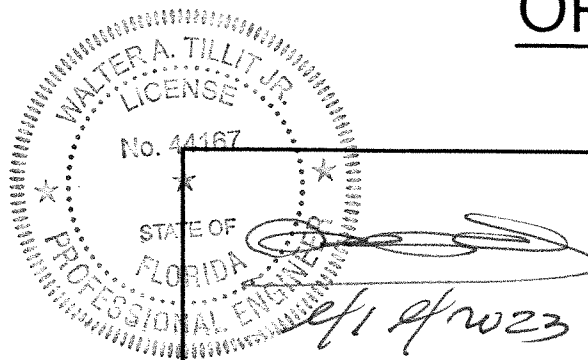


41 INSULATED GLASS UNIT SPACER
NTS

COMPONENTS: OPTIONAL SYSTEM #2

SCALE: N.T.S

FLORIDA BUILDING CODE (High & Non High Velocity Hurricane Zone)



P.E. SEAL/SIGNATURE/DATE

© 2023 TILTECO INC.
TILTECO INC.
 TILLIT TESTING & ENGINEERING COMPANY
 6355 N.W. 36th. St., Ste. 305 - VIRGINIA GARDENS, FL. 33166
 Phone : (305) 871-1530 , Fax : (305) 871-1531
 e-mail: tilteco@aol.com
 CA-0006719
 WALTER A. TILLIT Jr., P.E.
 FLORIDA Lic. # 44167

HIGH IMPACT SERIES JAZZ 70.000 STOREFRONT SYSTEM W/
 LARGE & SMALL MISSILE LAMINATED & INSULATED GLASS

WINDOWS & DOORS

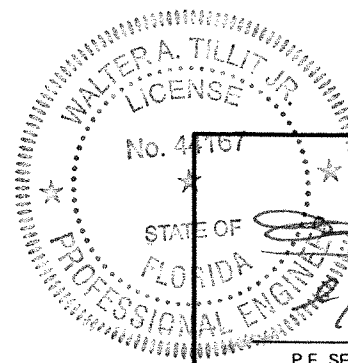
290 WEST 78 ROAD
 HIALEAH, FL. 33014
 PH: (954)226-5555/(305)558-8103
 FAX: (305)558-6665
 www.gigwindows.com

W.H
 DRAWN BY:
 08/30/2023
 DATE
23-204
 DRAWING No

| REV. No | DESCRIPTION | DATE | REV. No | DESCRIPTION | DATE |
|---------|-------------|----------|---------|-------------|------|
| 1 | OLD 20-278 | 08/30/23 | 2 | - | - |

| BILL OF MATERIALS (SEE GLASS ON SHEET 25) | | | |
|---|--|---|-----------------------|
| COMPONENT # | DESCRIPTION | DIMENSIONS/REMARKS | MATERIAL |
| ① | FRAME HEAD, JAMB & SILL | SEE SHEET 23 | 6063-T6 |
| ①A | DOOR JAMB MULLION | SEE SHEET 23 | 6063-T6 |
| ①B | INTERIOR MULLION | SEE SHEET 23 | 6063-T6 |
| ② | MULLION INSERT FOR 1A & 1B | SEE SHEET 23 | 6063-T6 |
| ⑩ | GLAZING ADAPTER FIXED PANEL | SEE SHEET 23 | 6063-T6 |
| ⑪ | FIXED PANEL GLAZING LAMINATED GLASS | SEE SHEET 23 | 6063-T6 |
| ⑫ | FIXED PANEL GLAZING INSULATED GLASS | SEE SHEET 23 | 6063-T6 |
| ⑰ | 5/8" ALUMINUM REINFORCEMENT | SEE SHEET 23 | 6063-T6 |
| ⑱ | 1/2" ALUMINUM REINFORCEMENT | SEE SHEET 23 | 6063-T6 |
| ⑱A | 5/8" STEEL REINFORCEMENT | SEE SHEET 23. (EXTENDED PROTOCOL) | ASTM A-36 ZINC PLATED |
| ⑲ | WEDGE GASKET | SEE SHEET 23 | EPDM |
| ⑳ | SOLID RUBBER GASKET | SEE SHEET 23 | NEOPRENE/NYLON |
| ㉑ | GLAZING GASKET | SEE SHEET 23 | TPE |
| ㉓ | #14 x 1-3/4" MIN PAN HEAD S.S. THRU BOLT W/ NUT | MULLION INSERT CONNECTION (5" start & 9" max o.c) | STEEL |
| ㉔ | #14 x 2 1/2" H.H SCREW | FRAME ASSEMBLY | STEEL |
| ⑳ | SETTING BLOCK | 0.122"x0.5" (ULTRAFAB) | E.P.D.M. |
| ㉑ | FIN SEAL PILE W/ PLASTIC | ULTRAFAB | |
| ㉒ | STRUCTURAL SILICONE DOW CORNING 995 | ALL AROUND GLASS | SILICONE |
| ㉓ | NON STRUCTURAL SILICONE DOW CORNING CONTRACTORS CONCRETE SEALANT (CCS) | AS SHOWN | SILICONE |
| ㉔ | INSULATED GLASS UNIT SPACER | SEE SHEET 23 | 3105-H24 ALUMINUM |
| ㉕ | #8 x 1 1/4" P.H SCREW | FRAME SADDLE THRESHOLD ASSEMBLY | S.S. |

OPTIONAL SYSTEM #2



P.E. SEAL/SIGNATURE/DATE

FLORIDA BUILDING CODE (High & Non High Velocity Hurricane Zone)

© 2023 TILTECO INC.

TILTECO INC.

TILLIT TESTING & ENGINEERING COMPANY
 8355 N.W. 36th St., Ste. 305 - VIRGINIA GARDENS, FL 33166
 Phone : (305) 871-1530 , Fax : (305) 871-1531
 e-mail: tilteco@aol.com
 CA-0006719
 WALTER A. TILLIT Jr., P.E.
 FLORIDA Lic. # 44167

HIGH IMPACT SERIES JAZZ 70,000 STOREFRONT SYSTEM W/ LARGE & SMALL MISSILE LAMINATED & INSULATED GLASS

WINDOWS & DOORS

290 WEST 78 ROAD
 HIALEAH, FL 33014
 PH: (954)226-5555/(305)558-8103
 FAX: (305)558-6665
 www.gigwindows.com

| REV. No | DESCRIPTION | DATE | REV. No | DESCRIPTION | DATE |
|---------|-------------|----------|---------|-------------|------|
| 1 | OLD 20-278 | 08/30/23 | 2 | - | - |

W.H
DRAWN BY:

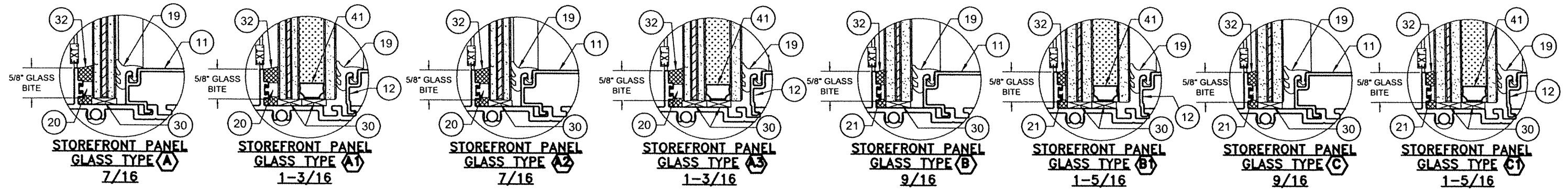
08/30/2023
DATE

23-204
DRAWING No

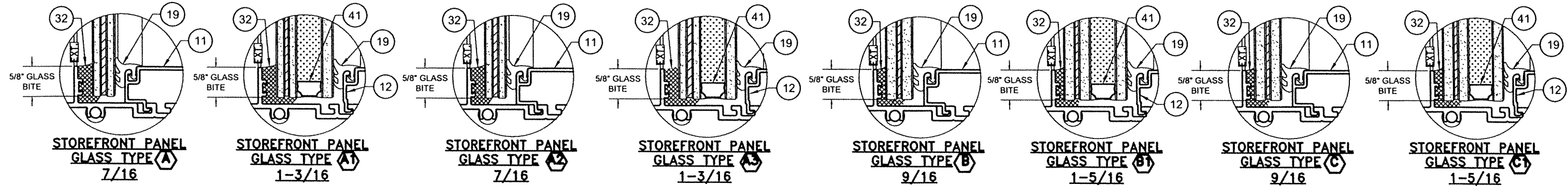
SHEET 24 OF 43

BILL OF MATERIALS FOR GLASS

| COMPONENT # | DESCRIPTION | MATERIAL |
|-------------|--|----------|
| A | 7/16" NOMINAL LAMINATED GLASS W/ 3/16" H.S. GLASS + 0.090" BUTACITE PVB INTERLAYER BY KURARAY AMERICA, INC. + 3/16" H.S. GLASS. | GLASS |
| A1 | 1-3/16" NOMINAL INSULATED-LAMINATED GLASS W/ 3/16" H.S. GLASS + 0.090" BUTACITE PVB INTERLAYER BY KURARAY AMERICA, INC. + 3/16" H.S. GLASS + 1/2" ARGON SPACER + 1/4" TEMPERED GLASS IN BOARD. | GLASS |
| A2 | 7/16" NOMINAL LAMINATED GLASS W/ 3/16" H.S. GLASS + 0.090" SENTRYGLAS® INTERLAYER BY KURARAY AMERICA, INC. + 3/16" H.S. GLASS. | GLASS |
| A3 | 1-3/16" NOMINAL INSULATED-LAMINATED GLASS W/ 3/16" H.S. GLASS + 0.090" SENTRYGLAS® INTERLAYER BY KURARAY AMERICA, INC. + 3/16" H.S. GLASS + 1/2" ARGON SPACER + 1/4" TEMPERED GLASS IN BOARD. | GLASS |
| B | 9/16" NOMINAL LAMINATED GLASS W/ 1/4" H.S. GLASS + 0.090" BUTACITE PVB INTERLAYER BY KURARAY AMERICA, INC. + 1/4" H.S. GLASS. | GLASS |
| B1 | 1 5/16" NOMINAL INSULATED-LAMINATED GLASS W/ 1/4" H.S. GLASS + 0.090" BUTACITE PVB INTERLAYER BY KURARAY AMERICA, INC. + 1/4" H.S. GLASS + 1/2" ARGON SPACER + 1/4" TEMPERED GLASS IN BOARD. | GLASS |
| C | 9/16" NOMINAL LAMINATED GLASS W/ 1/4" H.S. GLASS + 0.090" SENTRYGLAS® INTERLAYER BY KURARAY AMERICA, INC. + 1/4" H.S. GLASS. | GLASS |
| C1 | 1 5/16" NOMINAL INSULATED-LAMINATED GLASS W/ 1/4" H.S. GLASS + 0.090" SENTRYGLAS® INTERLAYER BY KURARAY AMERICA, INC. + 1/4" H.S. GLASS + 1/2" ARGON SPACER + 1/4" TEMPERED GLASS IN BOARD. | GLASS |



GLAZING DETAILS AT SETTING BLOCKS AT STOREFRONT
SCALE: N.T.S



GLAZING DETAILS IN BETWEEN SETTING BLOCKS AT STOREFRONT
SCALE: N.T.S

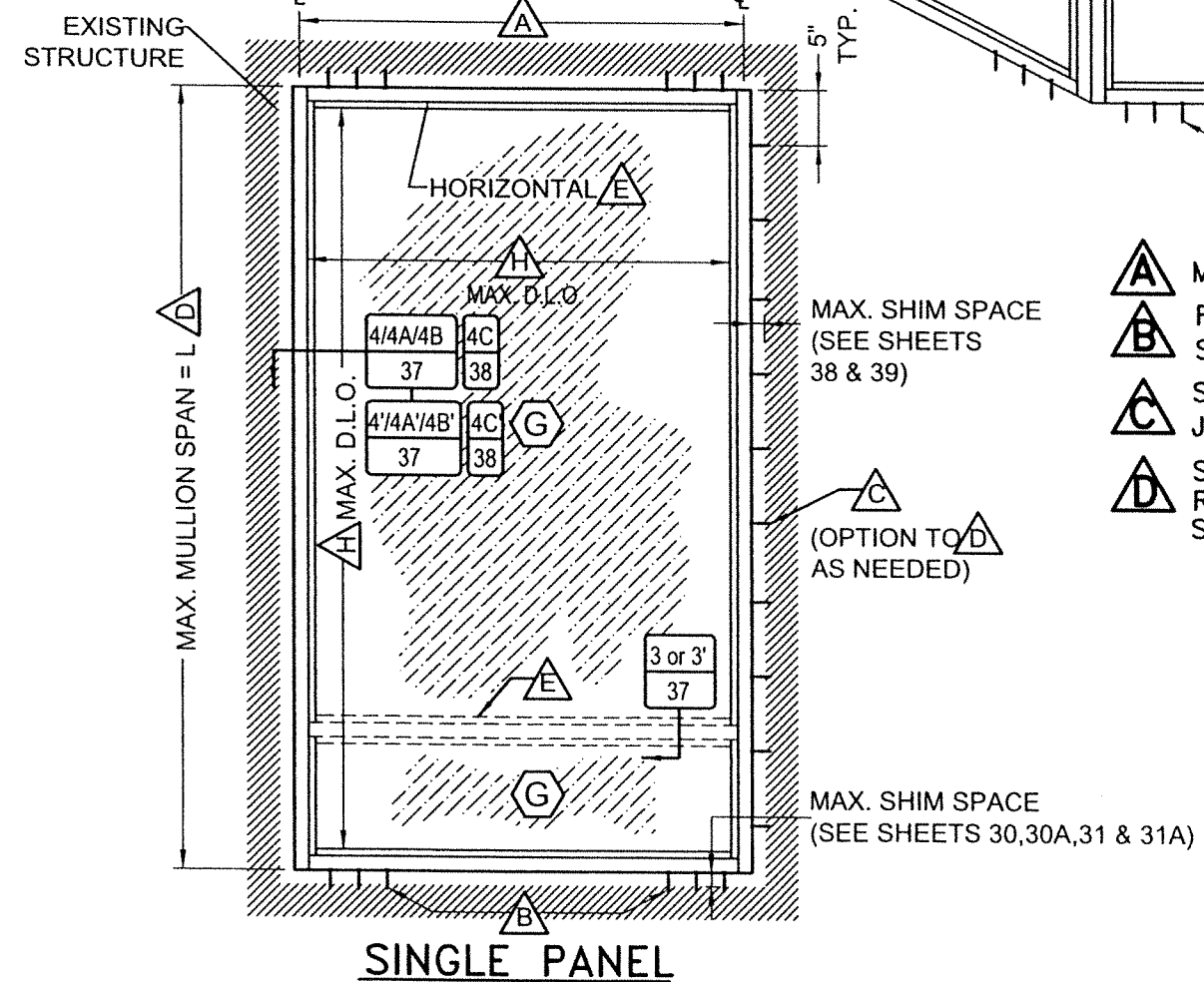
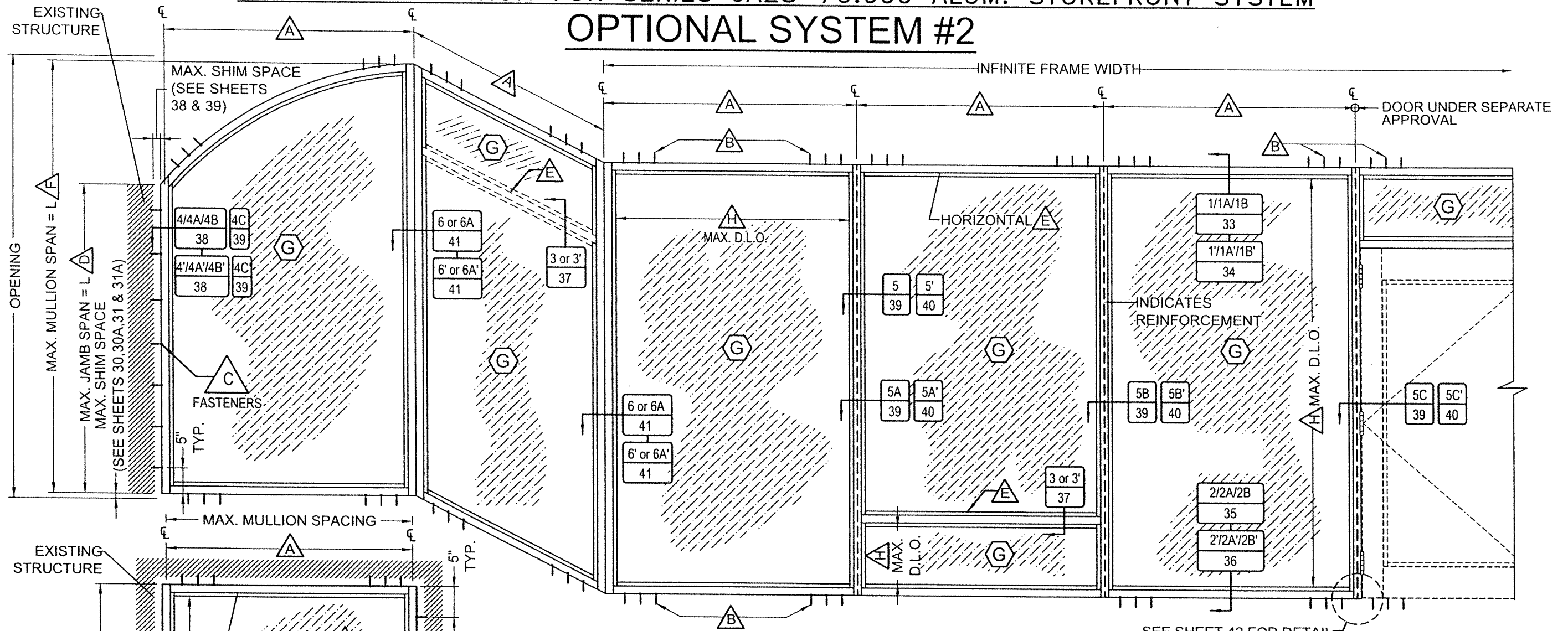
OPTIONAL SYSTEM #2

No. 44167
 STATE OF FLORIDA
 PROFESSIONAL ENGINEER
 WALTER A. TILLIT JR., P.E.
 P.E. SEAL/SIGNATURE/DATE

FLORIDA BUILDING CODE (High & Non High Velocity Hurricane Zone)

| | | |
|--|--|---|
| <p>© 2023 TILTECO INC. TILTECO INC. TILLIT TESTING & ENGINEERING COMPANY 6355 N.W. 36th St., Ste. 305 - VIRGINIA GARDENS, FL 33186 Phone : (305) 871-1530 , Fax : (305) 871-1531 e-mail: tilteco@aol.com CA-0006719 WALTER A. TILLIT JR., P.E. FLORIDA Lic. # 44167</p> | <p>HIGH IMPACT SERIES JAZS 70.000 STOREFRONT SYSTEM W/ LARGE & SMALL MISSILE LAMINATED & INSULATED GLASS</p> | <p>W.H DRAWN BY:</p> <p>08/30/2023 DATE</p> <p>23-204 DRAWING No</p> |
| <p>290 WEST 78 ROAD HIALEAH, FL. 33014 PH: (954)226-5555/(305)558-8103 FAX: (305)558-6665 www.gigwindows.com</p> | <p>REV. No DESCRIPTION DATE REV. No DESCRIPTION DATE</p> <p>1 OLD 20-278 08/30/23 2 - -</p> | <p>SHEET 25 OF 43</p> |

ISOMETRIC ELEVATION FOR SERIES JAZS-70.000 ALUM. STOREFRONT SYSTEM OPTIONAL SYSTEM #2



FOOT NOTES:

- A** MAXIMUM MULLION SPACING SEE SHEETS 28 & 29.
- B** FOR HEAD AND SILL FASTENERS QUANTITY, TYPES AND SPECS SEE SHEETS 30, 30A, 31 & 31A.
- C** SEE SHEET 32 FOR MAXIMUM ANCHOR SPACING FOR JAMB MULLION "A" ATTACHED TO EXISTING STRUCTURE.
- D** SEE SHEET 28 FOR MAXIMUM A.S.D DESIGN PRESSURE RATING FOR JAMB MULLION "A" NOT ATTACHED TO EXISTING STRUCTURE.
- E** IS LIMITED TO 5'-0" BETWEEN MULLIONS.
- F** FOR MAXIMUM MULLION SPAN SEE SHEETS 28 & 29.
- G** FOR GLAZING CONFIGURATIONS SEE SHEET 25.
- H** FOR MAXIMUM D.L.O. VS A.S.D DESIGN PRESSURE RATING FOR GLASS, SEE SCHEDULE ON SHEET 27.

* NOTE: ELEVATIONS FOR SINGLE & MULTIPLE PANELS FIXED GLASS WALL SERIES 70000 MAY BE INSTALLED ROTATED 90° FROM ABOVE SHOWN A. ORIENTATION.

WALTER A. TILLIT, JR.
LICENSE
No. 44167
STATE OF FLORIDA
PROFESSIONAL ENGINEER
P.E. SEAL/SIGNATURE/DATE

| FLORIDA BUILDING CODE (High & Non High Velocity Hurricane Zone) | | W.H DRAWN BY: | | | | | | | | | | | | |
|---|----------------------|---|---------|-------------|-------------|------|---|------------|----------|---|---|---|--|--|
| TILTECO INC. TILLIT TESTING & ENGINEERING COMPANY 6355 N.W. 36th. St., Ste. 305 - VIRGINIA GARDENS, FL. 33166 Phone : (305) 871-1530 , Fax : (305) 871-1531 e-mail: tilteco@aol.com CA-0006719 WALTER A. TILLIT Jr., P.E. FLORIDA Lic. # 44167 | | HIGH IMPACT SERIES JAZS 70.000 STOREFRONT SYSTEM W/ LARGE & SMALL MISSILE LAMINATED & INSULATED GLASS | | | | | | | | | | | | |
| GIG WINDOWS & DOORS | | 290 WEST 78 ROAD HIALEAH, FL. 33014 PH: (954)226-5555/(305)558-8103 FAX: (305)558-6665 www.gigwindows.com | | | | | | | | | | | | |
| 08/30/2023 DATE | 23-204 DRAWING No | SHEET 26 OF 43 | | | | | | | | | | | | |
| <table border="1" style="width: 100%; border-collapse: collapse;"> <thead> <tr> <th>REV. No</th> <th>DESCRIPTION</th> <th>DATE</th> <th>REV. No</th> <th>DESCRIPTION</th> <th>DATE</th> </tr> </thead> <tbody> <tr> <td>1</td> <td>OLD 20-278</td> <td>08/30/23</td> <td>2</td> <td>-</td> <td>-</td> </tr> </tbody> </table> | REV. No | DESCRIPTION | DATE | REV. No | DESCRIPTION | DATE | 1 | OLD 20-278 | 08/30/23 | 2 | - | - | | |
| REV. No | DESCRIPTION | DATE | REV. No | DESCRIPTION | DATE | | | | | | | | | |
| 1 | OLD 20-278 | 08/30/23 | 2 | - | - | | | | | | | | | |

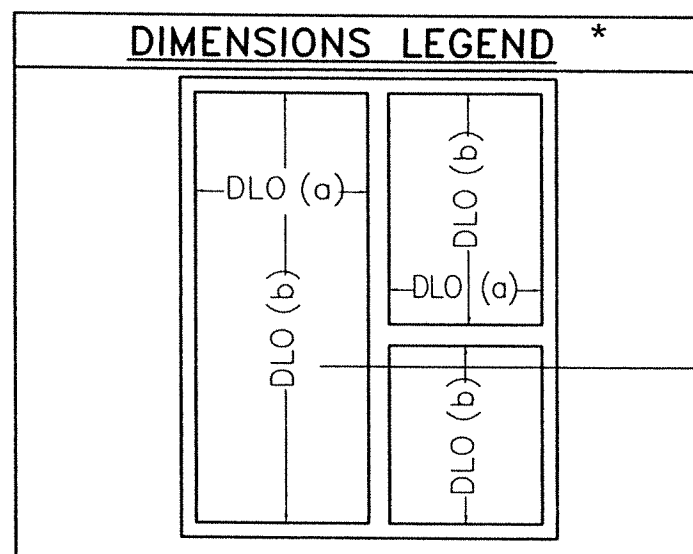
**MAXIMUM DESIGN PRESSURE RATING (psf) SCHEDULE FOR A GIVEN GLASS TYPE
AND GLASS D.L.O PANEL DIMENSIONS "a" (in) x "b" (in) (SEE LEGEND)**

| GLASS TYPE A₁ & A₂ : WET GLAZED | | |
|---|--------------------|-------------------------------------|
| DIMENSION "a" * | DIMENSION "b" * | MAXIMUM DESIGN PRESSURE RATING(psf) |
| 6" | from 6" to 60" | ±66.0 |
| 9" | from 9" to 90" | ±66.0 |
| 12" | from 12" to 120" | ±66.0 |
| 15" | from 15" to 150" | ±66.0 |
| 18" | from 18" to 180" | ±66.0 |
| 21" | from 21" to 210" | ±66.0 |
| 24" | from 24" to 190" | ±66.0 |
| 27" | from 27" to 168" | ±66.0 |
| 30" | from 30" to 144" | ±66.0 |
| 32" | from 32" to 143" | ±66.0 |
| 34" | from 34" to 135" | ±66.0 |
| 36" | from 36" to 127" | ±66.0 |
| 38" | from 38" to 120" | ±66.0 |
| 40" | from 38" to 114" | ±66.0 |
| 42" | from 42" to 109" | ±66.0 |
| 44" | from 44" to 104" | ±66.0 |
| 45" | from 45" to 101.5" | ±64.9 |
| 46" | from 46" to 99.5" | ±63.5 |
| 48" | from 48" to 95" | ±60.8 |
| 50" | from 50" to 91.5" | ±58.4 |
| 52" | from 52" to 88.0" | ±56.2 |
| 54" | from 54" to 84.5" | ±54.1 |
| 56" | from 56" to 81.5" | ±52.1 |
| 57" | from 57" to 80" | ±51.2 |

| GLASS TYPE A₂ & A₃ : WET GLAZED | | |
|---|-----------------------|-------------------------------------|
| DIMENSION "a" * | DIMENSION "b" * | MAXIMUM DESIGN PRESSURE RATING(psf) |
| 6" | from 6" to 60" | ±55.0 |
| 9" | from 9" to 90" | ±55.0 |
| 12" | from 12" to 120" | ±55.0 |
| 15" | from 15" to 150" | ±55.0 |
| 18" | from 18" to 180" | ±55.0 |
| 21" | from 21" to 210" | ±55.0 |
| 24" | from 24" to 240" | ±55.0 |
| 27" | from 27" to 270" | ±55.0 |
| 30" | from 30" to 144" | ±55.0 |
| 32" | from 32" to 144" | ±55.0 |
| 34" | from 34" to 144" | ±55.0 |
| 36" | from 36" to 144" | ±55.0 |
| 38" | from 38" to 144" | ±55.0 |
| 40" | from 38" to 144" | ±55.0 |
| 42" | from 42" to 144" | ±55.0 |
| 44" | from 44" to 144" | ±55.0 |
| 45" | from 45" to 144" | ±55.0 |
| 46" | from 46" to 144" | ±54.3 |
| 48" | from 48" to 144" | ±55.0 |
| 50" | from 50" to 144" | ±55.0 |
| 52" | from 52" to 144" | ±55.0 |
| 54" | from 54" to 144" | ±55.0 |
| 56.25" | from 56.25" to 139.5" | ±55.0 |
| 57" | from 57" to 137.5" | ±54.3 |

| GLASS TYPE B & B₁ : WET GLAZED | | |
|---|--------------------|-------------------------------------|
| DIMENSION "a" * | DIMENSION "b" * | MAXIMUM DESIGN PRESSURE RATING(psf) |
| 6" | from 6" to 60" | ±90.0 |
| 9" | from 9" to 90" | ±90.0 |
| 12" | from 12" to 120" | ±90.0 |
| 15" | from 15" to 150" | ±90.0 |
| 18" | from 18" to 180" | ±90.0 |
| 21" | from 21" to 169" | ±90.0 |
| 24" | from 24" to 148" | ±90.0 |
| 27" | from 27" to 131" | ±90.0 |
| 30" | from 30" to 119" | ±90.0 |
| 32" | from 32" to 111.5" | ±90.0 |
| 34" | from 34" to 105" | ±90.0 |
| 36" | from 36" to 99" | ±90.0 |
| 38" | from 38" to 94" | ±90.0 |
| 40" | from 38" to 89" | ±90.0 |
| 42" | from 42" to 85" | ±90.0 |
| 44" | from 44" to 81" | ±90.0 |
| 45" | from 45" to 79.5" | ±90.0 |
| 46" | from 46" to 77.5" | ±88.0 |
| 48" | from 48" to 74.5" | ±84.4 |
| 50" | from 50" to 71" | ±81.0 |
| 52" | from 52" to 68.5" | ±77.9 |
| 54" | from 54" to 66" | ±75.0 |
| 56" | from 56" to 63.5" | ±72.3 |
| 57" | from 57" to 62.5" | ±71.1 |

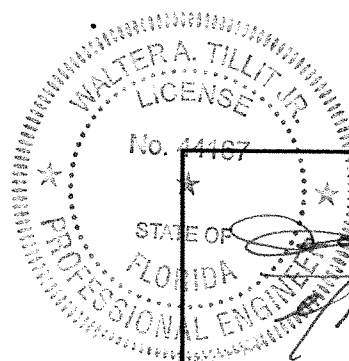
| GLASS TYPE C & C₁ : WET GLAZED | | |
|---|--------------------|-------------------------------------|
| DIMENSION "a" * | DIMENSION "b" * | MAXIMUM DESIGN PRESSURE RATING(psf) |
| 6" | from 6" to 60" | +90,-180 |
| 9" | from 9" to 90" | +90,-180 |
| 12" | from 12" to 120" | +90,-180 |
| 15" | from 15" to 150" | +90,-180 |
| 18" | from 18" to 180" | +90,-180 |
| 21" | from 21" to 210" | +90,-180 |
| 24" | from 24" to 188" | +90,-180 |
| 27" | from 27" to 167" | +90,-180 |
| 30" | from 30" to 144" | +90,-180 |
| 32" | from 32" to 141.5" | +90,-180 |
| 34" | from 34" to 133" | +90,-180 |
| 36" | from 36" to 126" | +90,-180 |
| 38" | from 38" to 119" | +90,-180 |
| 40" | from 38" to 113" | +90,-180 |
| 42" | from 42" to 108" | +90,-180 |
| 44" | from 44" to 103" | +90,-180 |
| 45" | from 45" to 100.5" | +90,-180 |
| 46" | from 46" to 98.5" | +90,-180 |
| 48" | from 48" to 94" | +90,-180 |
| 50" | from 50" to 90.5" | +90,-180 |
| 52" | from 52" to 87" | +90,-180 |
| 54" | from 54" to 84" | +90,-180 |
| 56" | from 56" to 80.5" | +90,-180 |
| 57" | from 57" to 79.5" | +90,-180 |



* SIDE "a" IS ALWAYS EQUAL OR SHORTER THAN "b".
"a", "b" MAY BE ORIENTED IN ANY DIRECTION.

OPTIONAL SYSTEM #2

(SEE SHEET 25 FOR GLASS CONFIGURATION)



P.E. SEAL/SIGNATURE/DATE

© 2023 TILTECO INC.

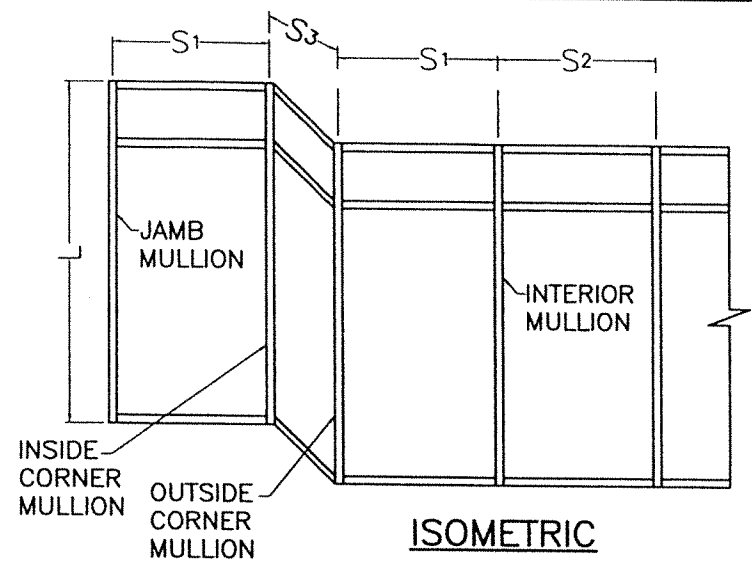


TILLIT TESTING & ENGINEERING COMPANY
6355 N.W. 38th St., Ste. 305 - VIRGINIA GARDENS, FL 33166
Phone : (305) 871-1530 , Fax : (305) 871-1531
e-mail: tilteco@aol.com
CA-0006719

WALTER A. TILLIT Jr., P.E.
FLORIDA Lic. # 44167

FLORIDA BUILDING CODE (High & Non High Velocity Hurricane Zone)

| | | | | | |
|---|-------------|----------------------|---------|-------------|------|
| HIGH IMPACT SERIES JAZZ 70,000 STOREFRONT SYSTEM W/ LARGE & SMALL MISSILE LAMINATED & INSULATED GLASS | | W.H. DRAWN BY: | | | |
| <p>290 WEST 78 ROAD HIALEAH, FL 33014 PH: (954)226-5555/(305)558-8103 FAX: (305)558-6665 www.gigwindows.com</p> | | 08/30/2023 DATE | | | |
| | | 23-204 DRAWING No | | | |
| REV. No | DESCRIPTION | DATE | REV. No | DESCRIPTION | DATE |
| 1 | OLD 20-276 | 08/30/23 | 2 | - | - |



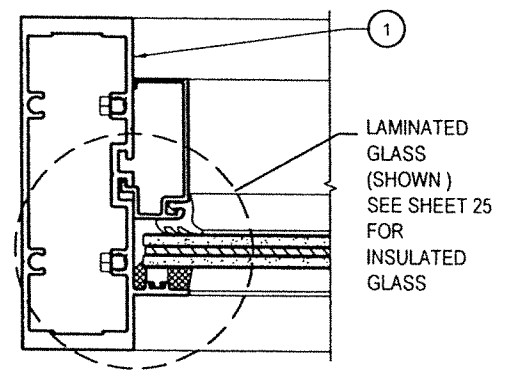
ISOMETRIC

L = MULLION SPAN
 EFFECTIVE SPACING $b = \frac{S_1 + S_2}{2}$ (SEE SCHEDULE.)
 (FOR INTERIOR MULLION)
 EFFECTIVE SPACING $b = \frac{S_1}{2}$ AND $\frac{S_3}{2}$ (SEE SCHEDULE)
 (FOR CORNER MULLION)
 EFFECTIVE SPACING $b = \frac{S_1}{2}$ (SEE SCHEDULE)
 (FOR JAMB MULLION)

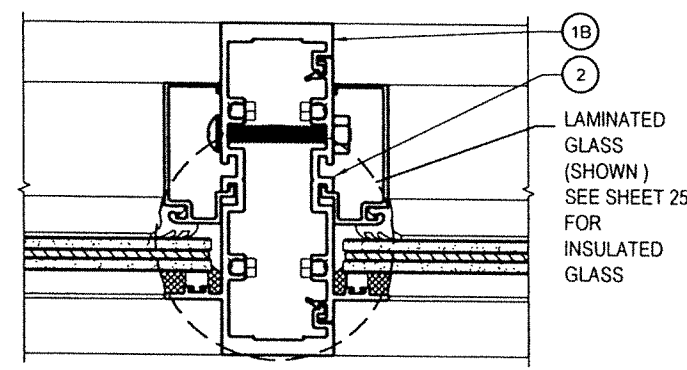
DEFINITIONS

- A** : UNREINFORCED JAMB OR CORNER MULLION (SEE SHEET 26 FOR APPLICABLE SECTIONS)
- A1** : UNREINFORCED INTERIOR OR CORNER MULLION (SEE SHEET 26 FOR APPLICABLE SECTIONS)
- B** : REINFORCED INTERIOR OR CORNER MULLION (SEE SHEET 26 FOR APPLICABLE SECTIONS)
- E** : CORNER MULLION (EITHER INSIDE OR OUTSIDE) MADE OF (2) A OR (2)A1 OR (2)B MULLIONS

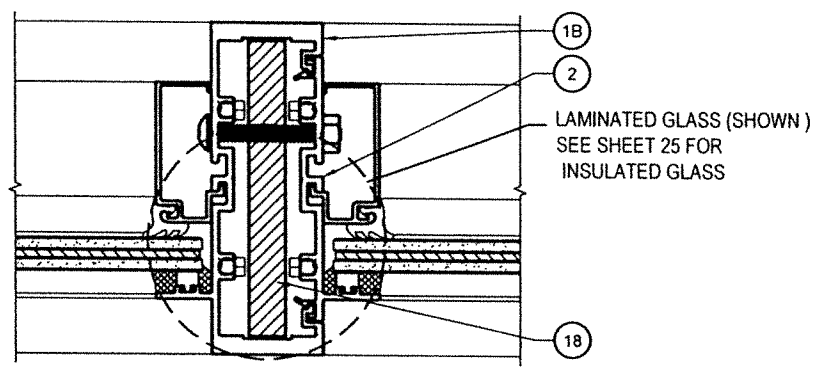
A JAMB MULLION ①
 AIR/WATER INFILTRATION IS 13.5 psf



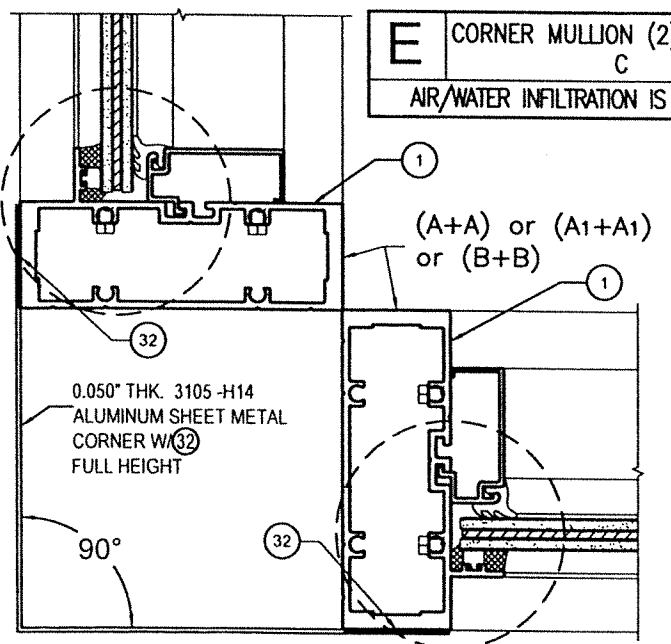
A1 INTERIOR MULLION ①+②
 AIR/WATER INFILTRATION IS 13.5 psf



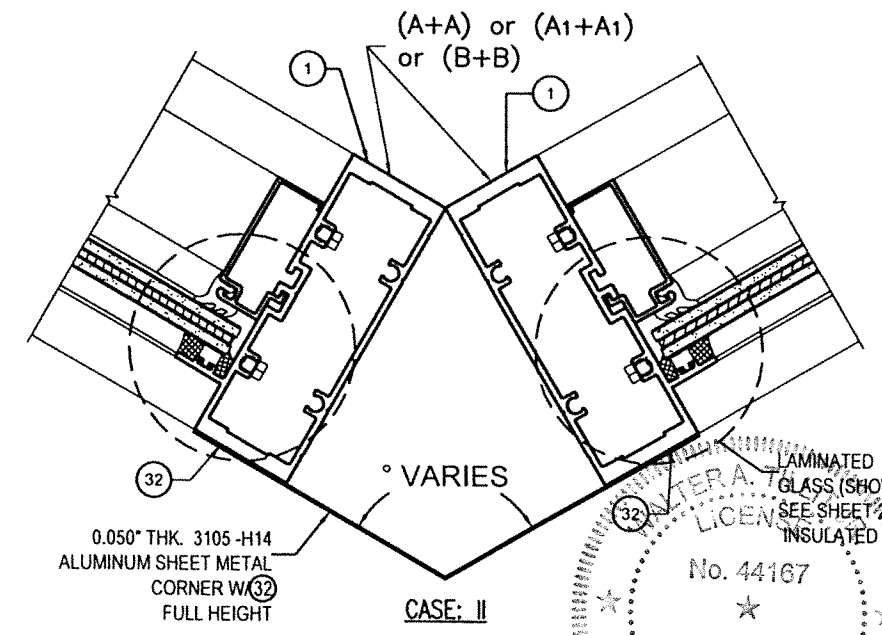
B INTERIOR MULLION ①+②+⑬
 AIR/WATER INFILTRATION IS 13.5 psf



E CORNER MULLION (2) MULLIONS
 AIR/WATER INFILTRATION IS 13.5 psf



CASE: I



OPTIONAL SYSTEM #2

MAXIMUM MULLION SPAN "L"(FT) SCHEDULE FOR A GIVEN DESIGN PRESSURE RATING AND A GIVEN MULLION EFFECTIVE SPACING "b" *

| MAXIMUM DESIGN PRESSURE RATING (psf) | EFFECTIVE SPACING FOR A or E ▲ "b" (Ft-in) | EFFECTIVE SPACING FOR A1 or B "b" (Ft-in) | MAX. SPAN | MAX. SPAN | MAX. SPAN |
|--------------------------------------|--|---|--------------------------|-----------------------------|--------------------------|
| | | | A or E (A+A) "L" (Ft-in) | A1 or E (A1+A1) "L" (Ft-in) | B or E (B+B) "L" (Ft-in) |
| 47.8 | 1'-6" | 3'-0" | 11'-8" | 9'-0" | 11'-8" |
| | 2'-0" | 4'-0" | 10'-7" | 9'-0" | 10'-1" |
| | 2'-6" | 5'-0" | 9'-6" | 9'-0" | 9'-0" |
| 50.0 | 1'-6" | 3'-0" | 11'-8" | 9'-0" | 11'-5" |
| | 2'-0" | 4'-0" | 10'-4" | 9'-0" | 9'-10" |
| | 2'-6" | 5'-0" | 9'-3" | 9'-0" | 8'-10" |
| 55.0 | 1'-6" | 3'-0" | 11'-4" | 9'-0" | 10'-10" |
| | 2'-0" | 4'-0" | 9'-10" | 9'-0" | 9'-5" |
| | 2'-6" | 5'-0" | 8'-7" | 8'-10" | 8'-1" |
| 60.0 | 1'-6" | 3'-0" | 10'-11" | 9'-0" | 10'-5" |
| | 2'-0" | 4'-0" | 9'-5" | 9'-0" | 9'-1" |
| | 2'-6" | 5'-0" | 8'-5" | 7'-11" | 8'-1" |
| 65.0 | 1'-6" | 3'-0" | 10'-6" | 9'-0" | 10'-0" |
| | 2'-0" | 4'-0" | 9'-1" | 9'-0" | 8'-8" |
| | 2'-6" | 5'-0" | 7'-4" | 7'-4" | 7'-9" |
| 70.0 | 1'-6" | 3'-0" | 10'-1" | 9'-0"* | 9'-8" |
| | 2'-0" | 4'-0" | 8'-6" | 9'-0"* | 8'-4" |
| | 2'-6" | 5'-0" | 6'-9" | 7'-2"* | 7'-2" |
| 75.0 | 1'-6" | 3'-0" | 9'-9" | - | 9'-4" |
| | 2'-0" | 4'-0" | 7'-11" | - | 8'-1" |
| | 2'-6" | 5'-0" | 6'-4" | - | 6'-9" |
| 80.0 | 1'-6" | 3'-0" | 9'-5" | - | 9'-0" |
| | 2'-0" | 4'-0" | 7'-5" | - | 7'-10" |
| | 2'-6" | 5'-0" | 6'-0" | - | 6'-4" |
| 85.0 | 1'-6" | 3'-0" | 9'-4" | - | 8'-9" |
| | 2'-0" | 4'-0" | 7'-0" | - | 7'-5" |
| | 2'-6" | 5'-0" | 5'-7" | - | 5'-11" |
| 90.0 | 1'-6" | 3'-0" | 8'-9" | - | 8'-7" |
| | 2'-0" | 4'-0" | 6'-7" | - | 6'-10" |
| | 2'-6" | 5'-0" | 5'-3" | - | 5'-7" |

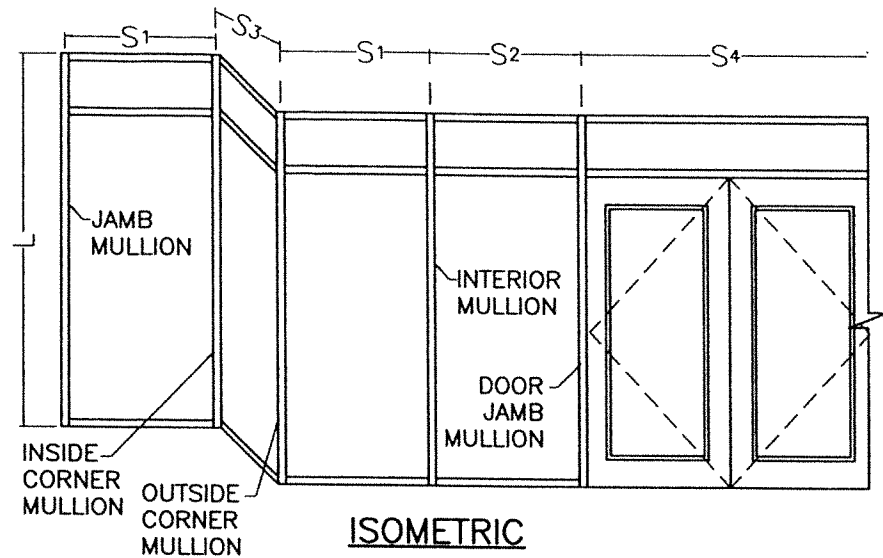
* ONLY VALID FOR UP TO 66 psf.
 ▲ VALID FOR "E" CORNER MULLION CONSISTING OF (A+A) OR (A1+A1) OR (B+B)

* MAXIMUM POSITIVE A.S.D. DESIGN PRESSURE RATING IS 90 psf FOR MULLION A , A1 & B.

STATE OF FLORIDA
 PROFESSIONAL ENGINEER
 No. 44167
 e/12/2023
 P.E. SEAL/SIGNATURE/DATE

© 2023 TILTECO INC.
TILTECO INC.
 TILLIT TESTING & ENGINEERING COMPANY
 6355 N.W. 36th St., Ste. 305 - VIRGINIA GARDENS, FL 33166
 Phone : (305) 871-1530 , Fax : (305) 871-1531
 e-mail: tilteco@aol.com
 CA-0006719
 WALTER A. TILLIT Jr., P.E.
 FLORIDA Lic. # 44167

FLORIDA BUILDING CODE (High & Non High Velocity Hurricane Zone)
 HIGH IMPACT SERIES JAZZ 70,000 STOREFRONT SYSTEM W/ LARGE & SMALL MISSILE LAMINATED & INSULATED GLASS
 W.H DRAWN BY:
 08/30/2023 DATE
23-204 DRAWING No
 SHEET 28 OF 43



ISOMETRIC

L = MULLION SPAN

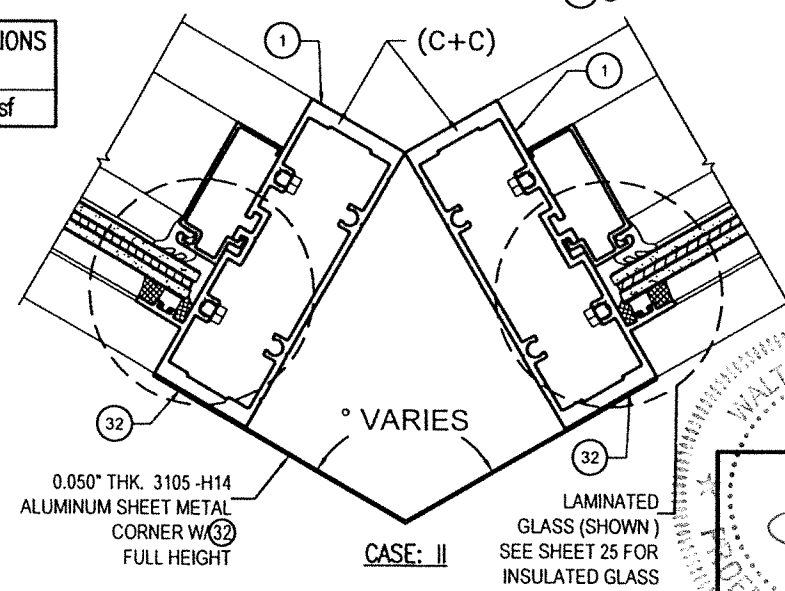
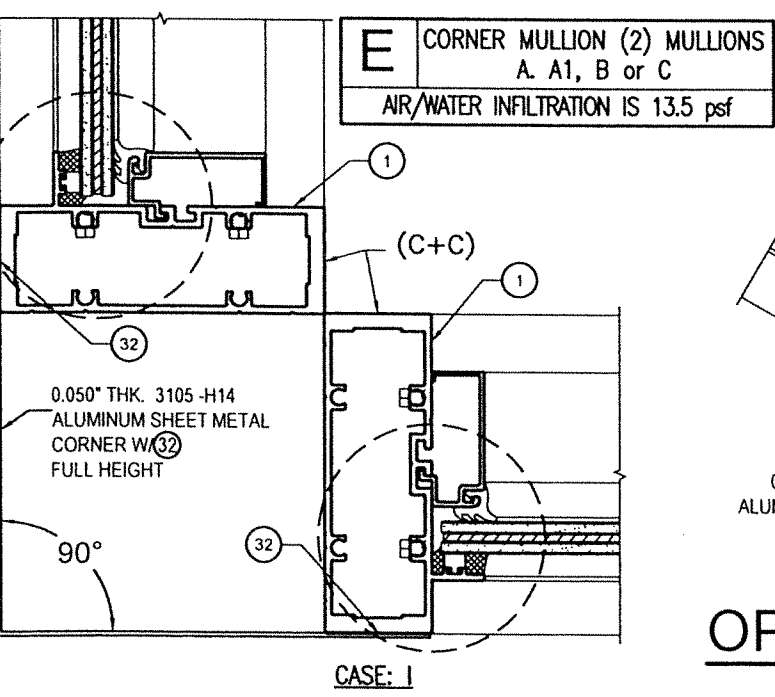
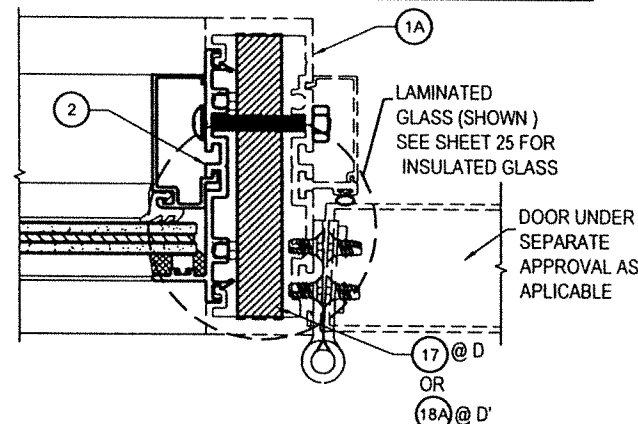
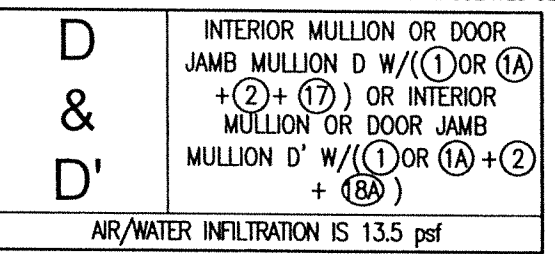
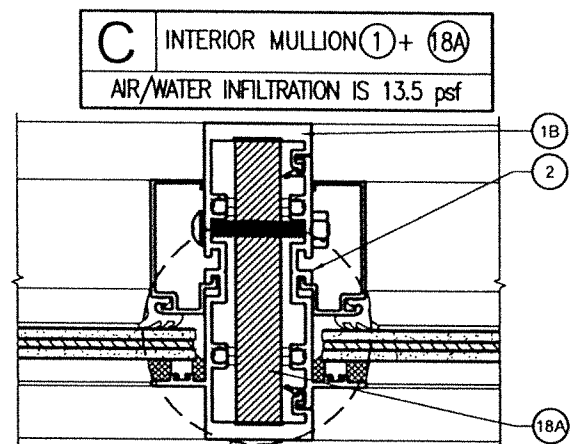
EFFECTIVE SPACING $b = \frac{S_1 + S_2}{2}$ (SEE SCHEDULE,
FOR INTERIOR MULLION)

EFFECTIVE SPACING $b = \frac{S_1 \text{ AND } S_3}{2}$ (SEE SCHEDULE)
FOR CORNER MULLION

EFFECTIVE SPACING $b = \frac{S_2 + S_4}{2}$ (SEE SCHEDULE)
FOR DOOR JAMB MULLION

DEFINITIONS

- C** : REINFORCED INTERIOR OR CORNER MULLION
(SEE SHEET 26 FOR APPLICABLE SECTIONS)
- D,D'** : REINFORCED DOOR JAMB OR INTERIOR MULLIONS
(SEE SHEET 26 FOR APPLICABLE SECTIONS)
- E** : CORNER MULLION (EITHER INSIDE OR OUTSIDE)
MADE OF (2) C MULLIONS



OPTIONAL SYSTEM #2

MAXIMUM MULLION SPAN "L"(FT) SCHEDULE FOR A GIVEN DESIGN PRESSURE RATING AND A GIVEN MULLION EFFECTIVE SPACING "b"

| MAXIMUM ASD DESIGN PRESSURE RAITING (psf) | EFFECTIVE SPACING FOR E (C+C) | | EFFECTIVE SPACING FOR C, D & D' "b" (Ft-in) | | C & D' "L" (Ft-in) | | D "L" (Ft-in) | MAXIMUM ASD DESIGN PRESSURE RAITING (psf) | EFFECTIVE SPACING FOR E (C+C) | | EFFECTIVE SPACING FOR C, D & D' "b" (Ft-in) | | C & D' | |
|---|-------------------------------|-------------|---|-------|--------------------|---------|---------------|---|-------------------------------|-------------|---|-------|---------|---------|
| | "b" (Ft-in) | "L" (Ft-in) | C | D&D' | C | D' | | | "b" (Ft-in) | "L" (Ft-in) | C | D&D' | C | D' |
| 47.8 | 1'-6" | 12'-0" | 3'-0" | 3'-0" | 12'-0" | 12'-0" | 11'-8" | 120.0 | 1'-6" | 12'-0" | 3'-0" | 3'-0" | 12'-0" | 10'-11" |
| | 2'-0" | 12'-0" | 4'-0" | 4'-0" | 12'-0" | 12'-0" | 11'-2" | | 2'-0" | 12'-0" | 4'-0" | 4'-0" | 12'-0" | 9'-7" |
| | 2'-6" | 12'-0" | 5'-0" | 5'-0" | 12'-0" | 12'-0" | 10'-5" | | 2'-6" | 11'-7" | 5'-0" | 5'-0" | 12'-0" | 8'-7" |
| 50.0 | 1'-6" | 12'-0" | 3'-0" | 3'-0" | 12'-0" | 12'-0" | 11'-8" | 125.0 | 1'-6" | 12'-0" | 3'-0" | 3'-0" | 12'-0" | 10'-9" |
| | 2'-0" | 12'-0" | 4'-0" | 4'-0" | 12'-0" | 12'-0" | 11'-1" | | 2'-0" | 12'-0" | 4'-0" | 4'-0" | 12'-0" | 9'-5" |
| | 2'-6" | 12'-0" | 5'-0" | 5'-0" | 12'-0" | 12'-0" | 10'-3" | | 2'-6" | 11'-5" | 5'-0" | 5'-0" | 12'-0" | 8'-5" |
| 55.0 | 1'-6" | 12'-0" | 3'-0" | 3'-0" | 12'-0" | 12'-0" | 11'-8" | 130.0 | 1'-6" | 12'-0" | 3'-0" | 3'-0" | 12'-0" | 10'-9" |
| | 2'-0" | 12'-0" | 4'-0" | 4'-0" | 12'-0" | 12'-0" | 11'-1" | | 2'-0" | 12'-0" | 4'-0" | 4'-0" | 12'-0" | 9'-3" |
| | 2'-6" | 12'-0" | 5'-0" | 5'-0" | 11'-10" | 11'-10" | 9'-6" | | 2'-6" | 11'-3" | 5'-0" | 5'-0" | 11'-10" | 8'-3" |
| 60.0 | 1'-6" | 12'-0" | 3'-0" | 3'-0" | 12'-0" | 12'-0" | 11'-8" | 135.0 | 1'-6" | 12'-0" | 3'-0" | 3'-0" | 12'-0" | 10'-9" |
| | 2'-0" | 12'-0" | 4'-0" | 4'-0" | 12'-0" | 12'-0" | 10'-5" | | 2'-0" | 12'-0" | 4'-0" | 4'-0" | 12'-0" | 9'-0" |
| | 2'-6" | 12'-0" | 5'-0" | 5'-0" | 11'-6" | 11'-6" | 9'-8" | | 2'-6" | 11'-1" | 5'-0" | 5'-0" | 11'-6" | 8'-1" |
| 65.0 | 1'-6" | 12'-0" | 3'-0" | 3'-0" | 12'-0" | 12'-0" | 11'-2" | 140.0 | 1'-6" | 12'-0" | 3'-0" | 3'-0" | 12'-0" | 10'-3" |
| | 2'-0" | 12'-0" | 4'-0" | 4'-0" | 12'-0" | 12'-0" | 10'-2" | | 2'-0" | 11'-10" | 4'-0" | 4'-0" | 12'-0" | 8'-10" |
| | 2'-6" | 12'-0" | 5'-0" | 5'-0" | 11'-3" | 11'-3" | 9'-5" | | 2'-6" | 11'-0" | 5'-0" | 5'-0" | 11'-3" | 8'-0" |
| 70.0 | 1'-6" | 12'-0" | 3'-0" | 3'-0" | 12'-0" | 12'-0" | 10'-10" | 145.0 | 1'-6" | 12'-0" | 3'-0" | 3'-0" | 12'-0" | 10'-0" |
| | 2'-0" | 12'-0" | 4'-0" | 4'-0" | 11'-9" | 11'-9" | 9'-10" | | 2'-0" | 11'-8" | 4'-0" | 4'-0" | 11'-9" | 8'-9" |
| | 2'-6" | 12'-0" | 5'-0" | 5'-0" | 10'-11" | 10'-11" | 9'-2" | | 2'-6" | 10'-10" | 5'-0" | 5'-0" | 10'-11" | 7'-10" |
| 75.0 | 1'-6" | 12'-0" | 3'-0" | 3'-0" | 12'-0" | 12'-0" | 10'-7" | 150.0 | 1'-6" | 12'-0" | 3'-0" | 3'-0" | 12'-0" | 9'-11" |
| | 2'-0" | 12'-0" | 4'-0" | 4'-0" | 11'-6" | 11'-6" | 9'-8" | | 2'-0" | 11'-7" | 4'-0" | 4'-0" | 12'-0" | 8'-7" |
| | 2'-6" | 12'-0" | 5'-0" | 5'-0" | 10'-8" | 10'-8" | 9'-0" | | 2'-6" | 10'-9" | 5'-0" | 5'-0" | 10'-8" | 7'-7" |
| 80.0 | 1'-6" | 12'-0" | 3'-0" | 3'-0" | 12'-0" | 12'-0" | 10'-5" | 155.0 | 1'-6" | 12'-0" | 3'-0" | 3'-0" | 12'-0" | 9'-9" |
| | 2'-0" | 12'-0" | 4'-0" | 4'-0" | 11'-3" | 11'-3" | 9'-6" | | 2'-0" | 11'-5" | 4'-0" | 4'-0" | 11'-3" | 8'-5" |
| | 2'-6" | 12'-0" | 5'-0" | 5'-0" | 10'-6" | 10'-6" | 8'-8" | | 2'-6" | 10'-7" | 5'-0" | 5'-0" | 10'-6" | 7'-6" |
| 85.0 | 1'-6" | 12'-0" | 3'-0" | 3'-0" | 12'-0" | 12'-0" | 10'-2" | 160.0 | 1'-6" | 12'-0" | 3'-0" | 3'-0" | 12'-0" | 9'-7" |
| | 2'-0" | 12'-0" | 4'-0" | 4'-0" | 11'-4" | 11'-4" | 9'-5" | | 2'-0" | 11'-4" | 4'-0" | 4'-0" | 11'-4" | 8'-4" |
| | 2'-6" | 12'-0" | 5'-0" | 5'-0" | 10'-2" | 10'-2" | 8'-2" | | 2'-6" | 10'-6" | 5'-0" | 5'-0" | 10'-2" | 7'-5" |
| 90.0 | 1'-6" | 12'-0" | 3'-0" | 3'-0" | 11'-11" | 11'-11" | 10'-0" | 165.0 | 1'-6" | 12'-0" | 3'-0" | 3'-0" | 11'-11" | 9'-5" |
| | 2'-0" | 12'-0" | 4'-0" | 4'-0" | 10'-10" | 10'-10" | 9'-1" | | 2'-0" | 11'-3" | 4'-0" | 4'-0" | 10'-10" | 8'-2" |
| | 2'-6" | 12'-0" | 5'-0" | 5'-0" | 9'-11" | 9'-11" | 8'-2" | | 2'-6" | 10'-4" | 5'-0" | 5'-0" | 9'-11" | 7'-4" |
| 95.0 | 1'-6" | 12'-0" | 3'-0" | 3'-0" | 11'-9" | 11'-9" | - | 170.0 | 1'-6" | 12'-0" | 3'-0" | 3'-0" | 11'-9" | 9'-4" |
| | 2'-0" | 12'-0" | 4'-0" | 4'-0" | 10'-6" | 10'-6" | - | | 2'-0" | 11'-11" | 4'-0" | 4'-0" | 10'-6" | 8'-1" |
| | 2'-6" | 12'-0" | 5'-0" | 5'-0" | 9'-8" | 9'-8" | - | | 2'-6" | 10'-2" | 5'-0" | 5'-0" | 9'-8" | 7'-2" |
| 100.0 | 1'-6" | 12'-0" | 3'-0" | 3'-0" | 11'-7" | 11'-7" | - | 175.0 | 1'-6" | 12'-0" | 3'-0" | 3'-0" | 11'-7" | 9'-2" |
| | 2'-0" | 12'-0" | 4'-0" | 4'-0" | 10'-6" | 10'-6" | - | | 2'-0" | 11'-0" | 4'-0" | 4'-0" | 10'-6" | 7'-11" |
| | 2'-6" | 12'-0" | 5'-0" | 5'-0" | 9'-5" | 9'-5" | - | | 2'-6" | 10'-0" | 5'-0" | 5'-0" | 9'-5" | 7'-1" |
| 105.0 | 1'-6" | 12'-0" | 3'-0" | 3'-0" | 11'-5" | 11'-5" | - | 180.0 | 1'-6" | 12'-0" | 3'-0" | 3'-0" | 11'-5" | 9'-0" |
| | 2'-0" | 12'-0" | 4'-0" | 4'-0" | 10'-3" | 10'-3" | - | | 2'-0" | 10'-10" | 4'-0" | 4'-0" | 10'-3" | 7'-10" |
| | 2'-6" | 12'-0" | 5'-0" | 5'-0" | 9'-2" | 9'-2" | - | | 2'-6" | 9'-10" | 5'-0" | 5'-0" | 9'-2" | 7'-0" |
| 110.0 | 1'-6" | 12'-0" | 3'-0" | 3'-0" | 11'-2" | 11'-2" | - | | | | | | | |
| | 2'-0" | 12'-0" | 4'-0" | 4'-0" | 10'-0" | 10'-0" | - | | | | | | | |
| | 2'-6" | 12'-0" | 5'-0" | 5'-0" | 9'-0" | 9'-0" | - | | | | | | | |
| 115.0 | 1'-6" | 12'-0" | 3'-0" | 3'-0" | 11'-0" | 11'-0" | - | | | | | | | |
| | 2'-0" | 12'-0" | 4'-0" | 4'-0" | 9'-9" | 9'-9" | - | | | | | | | |
| | 2'-6" | 11'-9" | 5'-0" | 5'-0" | 8'-9" | 8'-9" | - | | | | | | | |

WALTER A. TILLIT JR.
LICENSE
No. 44167
PROFESSIONAL ENGINEER
9/19/2023
P.E. SEAL/SIGNATURE/DATE

FLORIDA BUILDING CODE (High & Non High Velocity Hurricane Zone)

© 2023 TILTECO INC.
TILTECO INC.
TILLIT TESTING & ENGINEERING COMPANY
6355 N.W. 36th St., Ste. 305 - VIRGINIA GARDENS, FL 33168
Phone: (305) 871-1530, Fax: (305) 871-1531
e-mail: tilteco@aol.com
CA-0006719
WALTER A. TILLIT JR., P.E.
FLORIDA Lic. # 44167

HIGH IMPACT SERIES JAZZ 70,000 STOREFRONT SYSTEM W/ LARGE & SMALL MISSILE LAMINATED & INSULATED GLASS

GIG WINDOWS & DOORS

290 WEST 78 ROAD
HIALEAH, FL 33014
PH: (954)226-5555/(305)558-8103
FAX: (305)558-6665
www.gigwindows.com

W.H DRAWN BY:
08/30/2023 DATE
23-204 DRAWING No
SHEET 29 OF 43

| REV. No | DESCRIPTION | DATE | REV. No | DESCRIPTION | DATE |
|---------|-------------|----------|---------|-------------|------|
| 1 | OLD 20-278 | 08/30/23 | 2 | - | - |

FASTENERS TYPES & SUBSTRATES REQUIREMENTS:

A - 1/4"Ø ELCO CONSTRUCTION PRODUCTS, ULTRACON ANCHOR W/ 1 3/4" Min. EMBEDMENT INTO POURED CONCRETE (Min. $f_c = 2.730$ ksi), W/ S = 3" MIN. SPACING & 2 1/2" MIN. EDGE DISTANCE. EMBEDMENT & EDGE DISTANCE ARE BEYOND ANY FINISH MATERIAL.

B - 1/4"-14 ITW/BUILDEX TEK SCREW OR 1/4"-14 ELCO CONSTRUCTION PRODUCTS DRILL-FLEX W/ FULL ENGAGEMENT INTO MIN. 1/8" THK. ($F_y = 33$ Ksi) STEEL OR 1/8" THK. (6063-T6 ALLOY) ALUMINUM W/ MIN. (3) THREADS PASSED BEYOND STEEL THICKNESS.

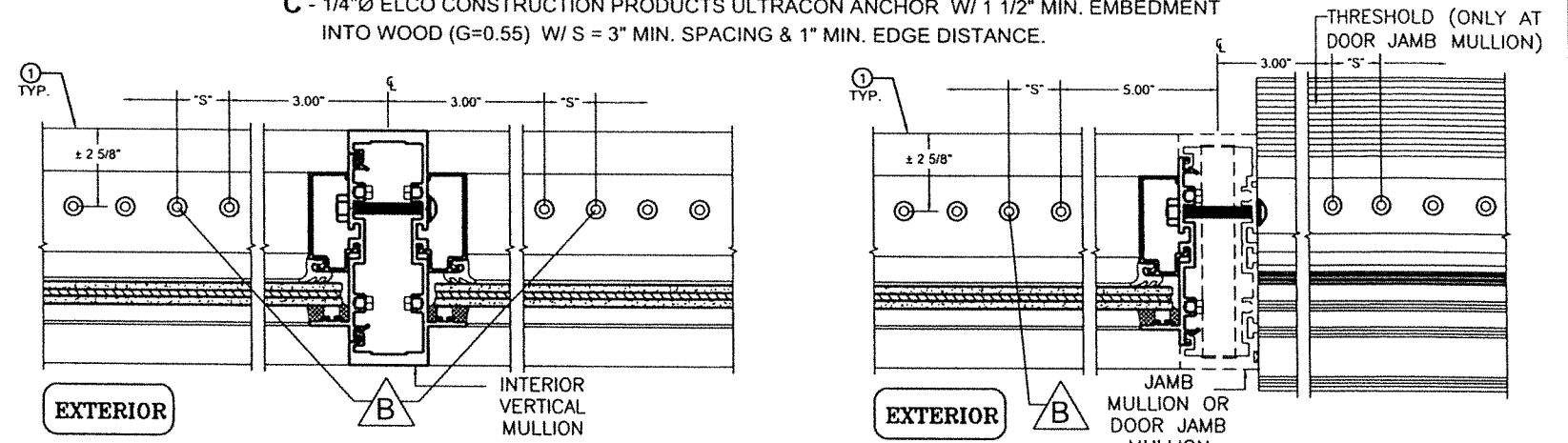
C - 1/4"Ø ELCO CONSTRUCTION PRODUCTS ULTRACON ANCHOR W/ 1 1/2" MIN. EMBEDMENT INTO WOOD ($G=0.55$) W/ S = 3" MIN. SPACING & 1" MIN. EDGE DISTANCE.

MAXIMUM A.S.D. DESIGN PRESSURE RATING SCHEDULE FOR INTERIOR, DOOR JAMB, CORNER & JAMB MULLION'S HEAD/SILL CONNECTIONS

| MAXIMUM MULLION SPAN "L"(Ft-in) | EFFECTIVE SPACING "b" (Ft-in) | | MAXIMUM DESIGN PRESSURE RATING W (psf) FOR 1/4" MAX. SHIM SPACE | | | | | | | | | |
|------------------------------------|-------------------------------|-------|---|-------------------------------|-------------------|-------|-------------------|-------|-------------------|-------|-------------------|-------|
| | | | n = 4 | | n = 6 | | n = 8 | | n = 10 | | n = 12 | |
| | | | JAMB OR CORNER MULLION | INTERIOR OR DOOR JAMB MULLION | CONCRETE OR METAL | WOOD | CONCRETE OR METAL | WOOD | CONCRETE OR METAL | WOOD | CONCRETE OR METAL | WOOD |
| 7'-0" | 1'-6" | 3'-0" | 107.8 | 67.4 | 161.7 | 101.0 | 180.0 | 135.0 | 180.0 | 168.5 | 180.0 | 180.0 |
| | - | 3'-6" | 92.4 | 57.8 | 138.9 | 86.6 | 180.0 | 115.5 | 180.0 | 144.4 | 180.0 | 173.3 |
| | 2'-0" | 4'-0" | 80.9 | 50.6 | 121.3 | 75.8 | 161.7 | 101.1 | 180.0 | 126.3 | 180.0 | 151.6 |
| | - | 4'-6" | 71.9 | 44.9 | 107.8 | 67.4 | 143.8 | 89.8 | 180.0 | 112.3 | 180.0 | 134.8 |
| | 2'-6" | 5'-0" | 64.7 | 40.4 | 97.0 | 60.6 | 129.4 | 80.9 | 161.7 | 101.1 | 180.0 | 121.3 |
| | - | 5'-6" | 58.8 | 36.8 | 88.2 | 55.1 | 117.6 | 73.5 | 147.0 | 91.9 | 176.0 | 110.0 |
| 7'-6" | 1'-6" | 3'-0" | 100.0 | 62.7 | 150.0 | 94.0 | 180.0 | 125.3 | 180.0 | 156.7 | 180.0 | 180.0 |
| | - | 3'-6" | 85.9 | 53.8 | 128.0 | 80.6 | 180.0 | 107.5 | 180.0 | 134.3 | 180.0 | 161.2 |
| | 2'-0" | 4'-0" | 75.2 | 47.1 | 112.8 | 70.6 | 150.4 | 94.1 | 180.0 | 117.8 | 180.0 | 141.2 |
| | - | 4'-6" | 66.9 | 41.8 | 100.2 | 62.6 | 133.7 | 83.3 | 180.0 | 104.2 | 180.0 | 125.0 |
| | 2'-6" | 5'-0" | 60.2 | 37.6 | 90.2 | 56.4 | 120.3 | 75.2 | 150.4 | 94.0 | 180.0 | 112.8 |
| | - | 5'-6" | 54.7 | 34.2 | 82.0 | 51.3 | 109.3 | 68.4 | 136.7 | 85.6 | 163.7 | 102.7 |
| 8'-0" | 1'-6" | 3'-0" | 94.0 | 58.9 | 141.0 | 88.4 | 180.0 | 117.9 | 180.0 | 147.3 | 180.0 | 176.8 |
| | - | 3'-6" | 80.7 | 50.6 | 121.1 | 75.9 | 161.7 | 101.1 | 180.0 | 126.4 | 180.0 | 151.7 |
| | 2'-0" | 4'-0" | 70.7 | 44.3 | 106.0 | 66.4 | 141.4 | 88.5 | 176.7 | 110.7 | 180.0 | 132.8 |
| | - | 4'-6" | 62.9 | 39.3 | 94.2 | 58.9 | 125.7 | 78.6 | 157.2 | 98.2 | 180.0 | 117.9 |
| | 2'-6" | 5'-0" | 56.6 | 35.3 | 84.8 | 53.0 | 113.1 | 70.7 | 141.4 | 88.4 | 169.8 | 106.0 |
| | - | 5'-6" | 51.4 | 32.4 | 77.1 | 48.2 | 102.7 | 64.3 | 128.5 | 80.4 | 153.9 | 96.4 |
| 8'-6" | 1'-6" | 3'-0" | 88.4 | 55.4 | 132.5 | 83.0 | 177.6 | 110.7 | 180.0 | 138.4 | 180.0 | 166.1 |
| | - | 3'-6" | 75.9 | 47.6 | 113.8 | 71.3 | 152.0 | 95.1 | 180.0 | 118.9 | 180.0 | 142.7 |
| | 2'-0" | 4'-0" | 66.5 | 41.6 | 99.6 | 62.5 | 132.9 | 83.3 | 166.5 | 104.1 | 180.0 | 124.9 |
| | - | 4'-6" | 59.1 | 36.9 | 88.5 | 55.4 | 118.2 | 73.9 | 147.8 | 92.4 | 177.6 | 110.8 |
| | 2'-6" | 5'-0" | 53.2 | 33.2 | 79.7 | 49.8 | 106.3 | 66.4 | 133.2 | 83.0 | 159.6 | 99.5 |
| | - | 5'-6" | 48.3 | 30.2 | 72.5 | 45.3 | 96.5 | 60.3 | 120.8 | 75.4 | 144.7 | 90.5 |
| 9'-0" | 1'-6" | 3'-0" | 83.1 | 52.1 | 124.6 | 78.1 | 166.9 | 104.2 | 180.0 | 130.2 | 180.0 | 156.2 |
| | - | 3'-6" | 71.3 | 44.7 | 107.0 | 67.1 | 142.9 | 89.5 | 179.7 | 111.9 | 180.0 | 134.2 |
| | 2'-0" | 4'-0" | 62.5 | 39.1 | 93.6 | 58.7 | 124.9 | 78.2 | 157.3 | 97.8 | 180.0 | 117.3 |
| | - | 4'-6" | 55.6 | 34.7 | 83.2 | 52.0 | 111.1 | 69.4 | 138.7 | 86.7 | 166.9 | 104.0 |
| | 2'-6" | 5'-0" | 50.0 | 31.2 | 74.0 | 46.8 | 99.9 | 62.4 | 125.9 | 78.0 | 150.0 | 93.6 |
| | - | 5'-6" | 45.4 | 28.4 | 68.2 | 42.6 | 90.7 | 56.8 | 113.6 | 71.0 | 136.0 | 83.2 |
| - | 6'-0" | 41.6 | 25.9 | 62.5 | 38.9 | 83.2 | 51.9 | 104.1 | 64.9 | 124.8 | 77.8 | |

* MAX. POSITIVE A.S.D. DESIGN PRESSURE RATING FOR ALL CASES IS 90.0 psf

OPTIONAL SYSTEM #2

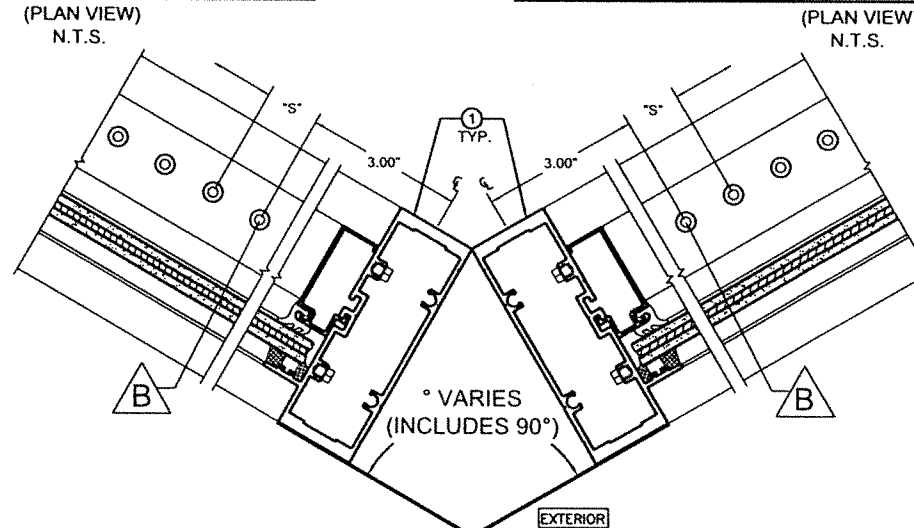


n = TOTAL NUMBER OF FASTENERS PER CONNECTION AT HEAD/SILL, EQUALLY INSTALLED W/ (n/2) AT EACH SIDE OF INTERIOR VERTICAL MULLION

n = TOTAL NUMBER OF FASTENERS PER CONNECTION AT HEAD/SILL, INSTALLED AT ONE SIDE OF JAMB MULLION OR W/ (n/2) AT EACH SIDE OF DOOR JAMB MULLION

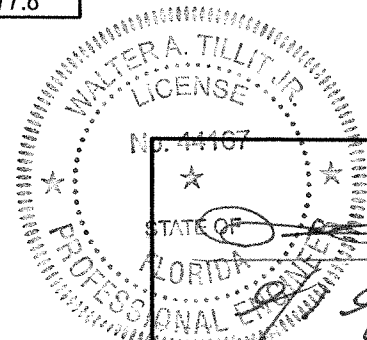
SILL OR HEAD CONNECTION DETAIL @ INTERIOR VERTICAL MULLION

SILL OR HEAD CONNECTION DETAIL @ JAMB OR DOOR JAMB MULLION (SEE SHEET 42)



n = EQUALLY NUMBER OF FASTENERS PER CONNECTION AT CORNER EQUALLY INSTALLED W/ (n/2) AT EACH SIDE OF CORNER MULLION

SILL OR HEAD CONNECTION DETAIL @ CORNER MULLION



P.E. SEAL/SIGNATURE/DATE

© 2023 TILTECO INC.

TILTECO INC.
TILLIT TESTING & ENGINEERING COMPANY
 6355 N.W. 36th St., Ste. 305 - VIRGINIA GARDENS, FL 33166
 Phone : (305) 871-1530 , Fax : (305) 871-1531
 e-mail: tilteco@aol.com
 CA-0006719
 WALTER A. TILLIT Jr., P.E.
 FLORIDA Lic. # 44167

FLORIDA BUILDING CODE (High & Non High Velocity Hurricane Zone)

HIGH IMPACT SERIES JAZZ 70.000 STOREFRONT SYSTEM W/ LARGE & SMALL MISSILE LAMINATED & INSULATED GLASS

W.H. DRAWN BY:

290 WEST 78 ROAD
 HIALEAH, FL. 33014
 PH: (954)226-5555/(305)558-8103
 FAX: (305)558-6665
 www.gigwindows.com

| REV. No | DESCRIPTION | DATE | REV. No | DESCRIPTION | DATE |
|---------|-------------|----------|---------|-------------|------|
| 1 | OLD 20-276 | 08/30/23 | 2 | - | - |

08/30/2023 DATE

23-204 DRAWING No

SHEET 30 OF 43

**MAXIMUM A.S.D. DESIGN PRESSURE RATING SCHEDULE FOR INTERIOR, DOOR JAMB,
CORNER & JAMB MULLION'S HEAD/SILL CONNECTIONS**

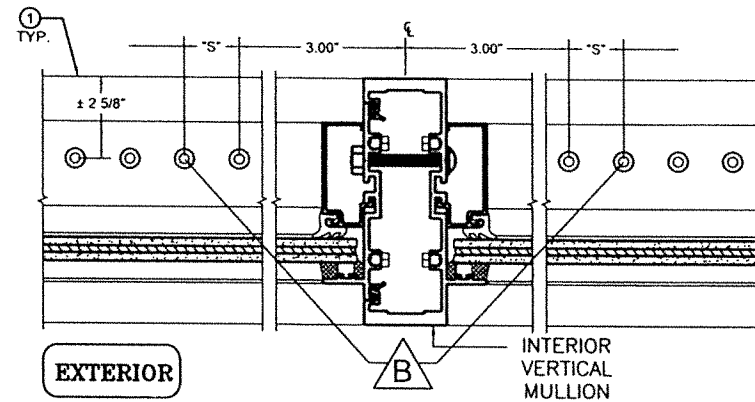
| MAXIMUM MULLION SPAN "L"(Ft-in) | EFFECTIVE SPACING "b" (Ft-in) | | MAXIMUM DESIGN PRESSURE RATING W (psf) FOR 1/4" MAX. SHIM SPACE | | | | | | | | | |
|------------------------------------|----------------------------------|-------|---|-------------------------------|----------------------------|-----------|----------------------------|-----------|----------------------------|-----------|----------------------------|-----------|
| | | | n = 4 | | n = 6 | | n = 8 | | n = 10 | | n = 12 | |
| | | | JAMB OR CORNER MULLION | INTERIOR OR DOOR JAMB MULLION | CONCRETE OR METAL A & B | WOOD C | CONCRETE OR METAL A & B | WOOD C | CONCRETE OR METAL A & B | WOOD C | CONCRETE OR METAL A & B | WOOD C |
| 9'-6" | 1'-6" | 3'-0" | 78.1 | 49.5 | 117.1 | 74.2 | 156.9 | 99.0 | 180.0 | 123.7 | 180.0 | 148.5 |
| | - | 3'-6" | 67.0 | 42.5 | 100.6 | 63.7 | 134.3 | 84.9 | 170.3 | 106.2 | 180.0 | 127.4 |
| | 2'-0" | 4'-0" | 58.8 | 37.1 | 88.0 | 55.7 | 117.4 | 74.3 | 149.0 | 98.9 | 178.8 | 111.4 |
| | - | 4'-6" | 52.3 | 33.0 | 78.2 | 49.4 | 104.4 | 67.9 | 130.4 | 82.4 | 156.9 | 98.9 |
| | 2'-6" | 5'-0" | 47.0 | 29.6 | 70.4 | 44.5 | 93.9 | 59.3 | 118.3 | 74.1 | 141.0 | 88.9 |
| - | 5'-6" | 42.7 | 27.0 | 64.1 | 40.5 | 85.3 | 54.0 | 106.7 | 67.5 | 127.8 | 80.9 | |
| - | 6'-0" | 39.1 | 24.6 | 58.8 | 36.9 | 78.2 | 49.2 | 97.9 | 61.5 | 117.3 | 73.8 | |
| 10'-0" | 1'-6" | 3'-0" | 74.2 | 47.0 | 111.2 | 70.5 | 149.0 | 94.0 | 180.0 | 117.6 | 180.0 | 141.0 |
| | - | 3'-6" | 63.7 | 40.4 | 95.6 | 60.6 | 129.4 | 80.8 | 161.8 | 100.9 | 180.0 | 121.1 |
| | 2'-0" | 4'-0" | 55.9 | 35.2 | 83.6 | 52.9 | 111.5 | 70.5 | 141.6 | 88.1 | 169.9 | 105.7 |
| | - | 4'-6" | 49.7 | 31.4 | 74.3 | 47.0 | 99.2 | 62.7 | 123.9 | 78.4 | 149.9 | 94.0 |
| | 2'-6" | 5'-0" | 44.7 | 28.1 | 66.9 | 42.2 | 90.0 | 56.2 | 112.4 | 70.3 | 134.0 | 84.4 |
| - | 5'-6" | 40.6 | 25.6 | 60.9 | 38.5 | 81.1 | 51.3 | 101.4 | 64.1 | 121.4 | 77.0 | |
| - | 6'-0" | 37.1 | 23.4 | 55.9 | 35.0 | 74.4 | 46.7 | 93.0 | 58.4 | 111.4 | 70.1 | |
| 10'-6" | 1'-6" | 3'-0" | 70.5 | 44.7 | 105.6 | 67.0 | 141.6 | 89.3 | 179.7 | 111.6 | 180.0 | 134.0 |
| | - | 3'-6" | 60.5 | 38.4 | 90.8 | 57.6 | 123.2 | 76.8 | 153.7 | 96.0 | 180.0 | 115.1 |
| | 2'-0" | 4'-0" | 53.1 | 33.4 | 74.7 | 50.2 | 105.9 | 66.9 | 134.5 | 83.6 | 161.4 | 100.3 |
| | - | 4'-6" | 47.2 | 29.8 | 70.6 | 44.7 | 94.2 | 59.7 | 117.7 | 74.6 | 141.6 | 89.5 |
| | 2'-6" | 5'-0" | 42.5 | 26.7 | 63.6 | 40.0 | 85.4 | 53.4 | 106.8 | 66.7 | 127.3 | 80.8 |
| - | 5'-6" | 38.6 | 24.2 | 57.9 | 36.5 | 77.0 | 48.6 | 96.3 | 60.8 | 115.3 | 73.0 | |
| - | 6'-0" | 35.2 | 22.2 | 53.1 | 33.3 | 70.7 | 44.5 | 88.4 | 55.6 | 105.8 | 66.7 | |
| 11'-0" | 1'-6" | 3'-0" | 67.0 | 42.5 | 100.3 | 63.7 | 134.5 | 84.9 | 170.7 | 106.2 | 180.0 | 127.4 |
| | - | 3'-6" | 57.5 | 36.5 | 86.3 | 54.7 | 117.0 | 73.0 | 146.0 | 91.2 | 176.6 | 109.4 |
| | 2'-0" | 4'-0" | 50.4 | 31.7 | 75.4 | 47.6 | 100.6 | 63.5 | 127.8 | 79.3 | 153.3 | 95.1 |
| | - | 4'-6" | 44.8 | 28.3 | 67.1 | 42.5 | 89.5 | 56.6 | 111.8 | 70.8 | 134.5 | 84.9 |
| | 2'-6" | 5'-0" | 40.4 | 25.4 | 59.5 | 38.0 | 81.2 | 50.7 | 101.5 | 63.4 | 120.9 | 76.1 |
| - | 5'-6" | 36.7 | 23.0 | 55.0 | 34.5 | 73.2 | 46.0 | 91.5 | 57.5 | 109.5 | 69.0 | |
| - | 6'-0" | 33.4 | 21.1 | 50.4 | 31.6 | 67.2 | 42.2 | 84.0 | 52.7 | 100.5 | 63.3 | |
| 11'-6" | 1'-6" | 3'-0" | 64.3 | 40.8 | 96.3 | 61.2 | 129.1 | 81.6 | 163.9 | 102.0 | 180.0 | 122.4 |
| | - | 3'-6" | 55.2 | 35.0 | 82.8 | 52.6 | 112.3 | 70.1 | 140.2 | 87.6 | 169.5 | 105.1 |
| | 2'-0" | 4'-0" | 48.4 | 30.4 | 72.4 | 45.6 | 96.6 | 60.9 | 122.7 | 76.1 | 147.2 | 91.3 |
| | - | 4'-6" | 43.0 | 27.2 | 64.4 | 40.8 | 85.9 | 54.3 | 107.3 | 67.9 | 129.1 | 81.5 |
| | 2'-6" | 5'-0" | 38.8 | 24.4 | 57.1 | 36.6 | 78.7 | 48.8 | 97.4 | 61.0 | 116.1 | 73.2 |
| - | 5'-6" | 35.2 | 22.1 | 52.8 | 33.1 | 71.6 | 44.2 | 88.1 | 55.2 | 105.1 | 66.2 | |
| - | 6'-0" | 32.1 | 20.3 | 48.4 | 30.4 | 65.6 | 40.5 | 80.6 | 50.6 | 96.5 | 60.8 | |
| 12'-0" | 1'-6" | 3'-0" | 61.7 | 39.2 | 92.4 | 58.8 | 123.9 | 78.4 | 159.7 | 98.0 | 180.0 | 117.6 |
| | - | 3'-6" | 53.0 | 33.6 | 79.5 | 50.4 | 107.8 | 67.2 | 134.5 | 84.0 | 162.7 | 100.8 |
| | 2'-0" | 4'-0" | 46.5 | 29.2 | 69.5 | 43.8 | 92.7 | 58.4 | 117.7 | 73.0 | 141.3 | 87.6 |
| | - | 4'-6" | 41.3 | 26.1 | 61.8 | 39.2 | 82.5 | 52.2 | 103.0 | 65.3 | 123.9 | 78.3 |
| | 2'-6" | 5'-0" | 37.2 | 23.4 | 54.8 | 35.1 | 75.6 | 48.4 | 93.5 | 58.6 | 111.5 | 70.3 |
| - | 5'-6" | 33.8 | 21.2 | 50.7 | 31.8 | 68.7 | 42.4 | 84.5 | 53.0 | 100.9 | 63.6 | |
| - | 6'-0" | 30.8 | 19.5 | 46.5 | 29.2 | 63.0 | 39.0 | 77.4 | 48.7 | 92.6 | 58.5 | |

* MAX. POSITIVE A.S.D. DESIGN PRESSURE RATING FOR ALL CASES IS 90.0 psf

OPTIONAL SYSTEM #2

FASTENERS TYPES & SUBSTRATES REQUIREMENTS:

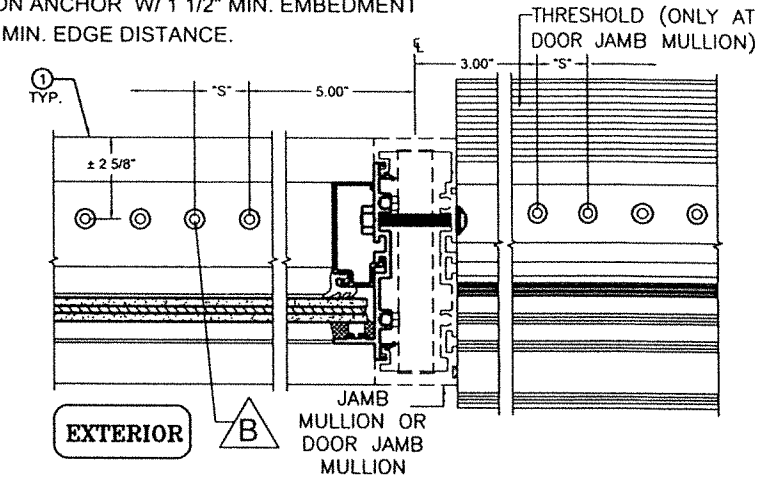
- A** - 1/4"Ø ELCO CONSTRUCTION PRODUCTS, ULTRACON ANCHOR W/ 1 3/4" Min. EMBEDMENT INTO POURED CONCRETE (Min. f_c = 2.730 ksi), W/ S = 3" MIN. SPACING & 2 1/2" MIN. EDGE DISTANCE. EMBEDMENT & EDGE DISTANCE ARE BEYOND ANY FINISH MATERIAL.
- B** - 1/4"-14 ITW/BUILDEX TEK SCREW OR 1/4"-14 ELCO CONSTRUCTION PRODUCTS DRILL-FLEX W/ FULL ENGAGEMENT INTO MIN. 1/8" THK. (F_y = 33 Ksi) STEEL OR 1/8" THK. (6063-T6 ALLOY) ALUMINUM W/ MIN. (3) THREADS PASSED BEYOND STEEL THICKNESS.
- C** - 1/4"Ø ELCO CONSTRUCTION PRODUCTS ULTRACON ANCHOR W/ 1 1/2" MIN. EMBEDMENT INTO WOOD (G=0.55) W/ S = 3" MIN. SPACING & 1" MIN. EDGE DISTANCE.



n = TOTAL NUMBER OF FASTENERS PER CONNECTION AT HEAD/SILL, EQUALLY INSTALLED W/ (n/2) AT EACH SIDE OF INTERIOR VERTICAL MULLION

SILL OR HEAD CONNECTION DETAIL @ INTERIOR VERTICAL MULLION

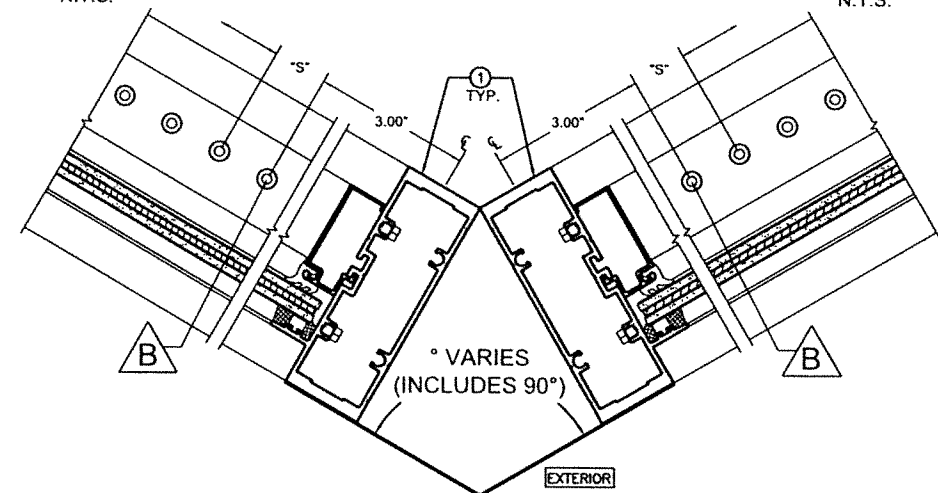
(PLAN VIEW)
N.T.S.



n = TOTAL NUMBER OF FASTENERS PER CONNECTION AT HEAD/SILL, INSTALLED AT ONE SIDE OF JAMB MULLION OR W/ (n/2) AT EACH SIDE OF DOOR JAMB MULLION

SILL OR HEAD CONNECTION DETAIL @ JAMB OR DOOR JAMB MULLION (SEE SHEET 42)

(PLAN VIEW)
N.T.S.



n = TOTAL NUMBER OF FASTENERS PER CONNECTION AT CORNER EQUALLY INSTALLED W/ (n/2) AT EACH SIDE OF CORNER MULLION

SILL OR HEAD CONNECTION DETAIL @ CORNER MULLION

(PLAN VIEW)
N.T.S.

FLORIDA BUILDING CODE (High & Non High Velocity Hurricane Zone)

WALTER A. TILLIT JR.
LICENSE
No. 44167
P.E. SEAL/SIGNATURE/DATE

© 2023 TILTECO INC.
TILTECO INC.
TILLIT TESTING & ENGINEERING COMPANY
6355 N.W. 36th St., Ste. 305 - VIRGINIA GARDENS, FL 33166
Phone : (305) 871-1530, Fax : (305) 871-1531
e-mail: tilteco@aol.com
CA-0006719
WALTER A. TILLIT JR., P.E.
FLORIDA Lic. # 44167

HIGH IMPACT SERIES JAZZ 70,000 STOREFRONT SYSTEM W/ LARGE & SMALL MISSILE LAMINATED & INSULATED GLASS
W.H. DRAWN BY:
290 WEST 78 ROAD
HIALEAH, FL 33014
PH: (954)226-5555/(305)558-8103
FAX: (305)558-6665
www.gigwindows.com

| REV. No | DESCRIPTION | DATE | REV. No | DESCRIPTION | DATE |
|---------|-------------|----------|---------|-------------|------|
| 1 | OLD 20-278 | 08/30/23 | 2 | - | - |

08/30/2023
DATE
23-204
DRAWING No
SHEET 30A OF 43

B FASTENERS TYPES & SUBSTRATES REQUIREMENTS:

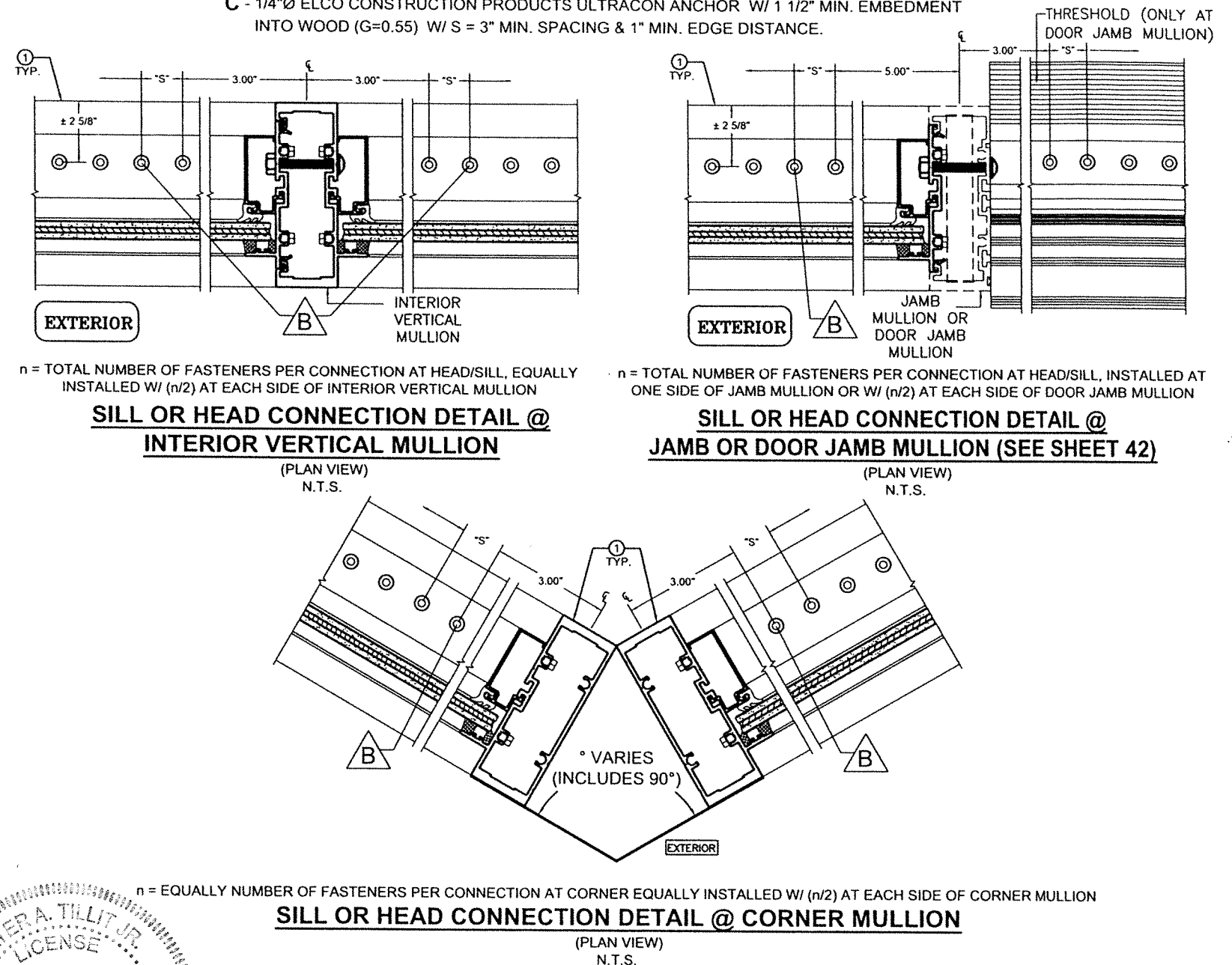
- A** - 1/4"Ø ELCO CONSTRUCTION PRODUCTS, ULTRACON ANCHOR W/ 1 3/4" Min. EMBEDMENT INTO Poured CONCRETE (Min. f_c = 2,730 ksi), W/ S = 3" MIN. SPACING & 2 1/2" MIN. EDGE DISTANCE. EMBEDMENT & EDGE DISTANCE ARE BEYOND ANY FINISH MATERIAL.
- B** - 1/4"-14 ITW/BUILDEX TEK SCREW OR 1/4"-14 ELCO CONSTRUCTION PRODUCTS DRILL-FLEX W/ FULL ENGAGEMENT INTO MIN. 1/8" THK. (F_y = 33 KSI) STEEL OR 1/8" THK. (6063-T6 ALLOY) ALUMINUM W/ MIN. (3) THREADS PASSED BEYOND STEEL THICKNESS.
- C** - 1/4"Ø ELCO CONSTRUCTION PRODUCTS ULTRACON ANCHOR W/ 1 1/2" MIN. EMBEDMENT INTO WOOD (G=0.55) W/ S = 3" MIN. SPACING & 1" MIN. EDGE DISTANCE.

MAXIMUM A.S.D. DESIGN PRESSURE RATING SCHEDULE FOR INTERIOR, DOOR JAMB, CORNER & JAMB MULLION'S HEAD/SILL CONNECTIONS

| MAXIMUM MULLION SPAN "L"(Ft-in) | EFFECTIVE SPACING "b" (Ft-in) | | MAXIMUM DESIGN PRESSURE RATING W (psf) FOR 3/8" MAX. SHIM SPACE | | | | | | | | | |
|------------------------------------|----------------------------------|-------|---|-------------------------------|-------------------|-------|-------------------|-------|-------------------|-------|-------------------|-------|
| | | | n = 4 | | n = 6 | | n = 8 | | n = 10 | | n = 12 | |
| | | | JAMB OR CORNER MULLION | INTERIOR OR DOOR JAMB MULLION | CONCRETE OR METAL | WOOD | CONCRETE OR METAL | WOOD | CONCRETE OR METAL | WOOD | CONCRETE OR METAL | WOOD |
| 7'-0" | 1'-6" | 3'-0" | 78.5 | 67.5 | 117.8 | 101.3 | 157.1 | 135.0 | 180.0 | 168.8 | 180.0 | 180.0 |
| | - | 3'-6" | 67.3 | 57.9 | 101.0 | 86.8 | 134.6 | 115.8 | 168.3 | 144.7 | 180.0 | 173.6 |
| | 2'-0" | 4'-0" | 58.9 | 50.7 | 88.4 | 76.0 | 117.8 | 101.3 | 147.3 | 126.6 | 176.7 | 152.0 |
| | - | 4'-6" | 52.3 | 45.0 | 78.5 | 67.5 | 104.7 | 90.0 | 130.9 | 112.4 | 157.1 | 134.9 |
| | 2'-6" | 5'-0" | 47.1 | 40.5 | 70.7 | 60.8 | 94.2 | 81.0 | 117.8 | 101.3 | 141.4 | 121.5 |
| | - | 5'-6" | 42.8 | 36.8 | 64.3 | 55.2 | 85.7 | 73.6 | 107.1 | 92.0 | 128.5 | 110.4 |
| 7'-6" | 1'-6" | 3'-0" | 73.0 | 62.8 | 109.6 | 94.2 | 146.1 | 125.6 | 180.0 | 157.0 | 180.0 | 180.0 |
| | - | 3'-6" | 62.6 | 53.8 | 93.9 | 80.8 | 125.2 | 107.7 | 156.5 | 134.6 | 180.0 | 161.5 |
| | 2'-0" | 4'-0" | 54.8 | 47.1 | 82.2 | 70.7 | 109.6 | 94.3 | 137.0 | 117.8 | 164.3 | 141.4 |
| | - | 4'-6" | 48.6 | 41.8 | 73.0 | 62.7 | 97.4 | 83.6 | 121.7 | 104.5 | 146.1 | 125.4 |
| | 2'-6" | 5'-0" | 43.8 | 37.7 | 65.8 | 56.5 | 87.6 | 75.3 | 109.6 | 94.2 | 131.5 | 113.0 |
| | - | 5'-6" | 39.5 | 34.0 | 59.8 | 51.0 | 79.7 | 68.0 | 97.6 | 84.9 | 119.5 | 101.9 |
| 8'-0" | 1'-6" | 3'-0" | 68.4 | 58.8 | 103.0 | 88.2 | 137.3 | 117.6 | 171.7 | 147.1 | 180.0 | 176.5 |
| | - | 3'-6" | 58.8 | 50.6 | 88.3 | 75.9 | 117.7 | 101.1 | 147.1 | 126.4 | 176.6 | 151.7 |
| | 2'-0" | 4'-0" | 51.5 | 44.3 | 77.3 | 66.4 | 103.0 | 88.6 | 128.8 | 110.7 | 154.4 | 132.9 |
| | - | 4'-6" | 45.7 | 39.3 | 68.6 | 59.0 | 91.6 | 78.6 | 113.2 | 98.3 | 137.3 | 117.9 |
| | 2'-6" | 5'-0" | 41.2 | 35.4 | 61.9 | 53.1 | 82.3 | 70.9 | 103.0 | 88.6 | 123.6 | 106.3 |
| | - | 5'-6" | 37.1 | 31.9 | 56.2 | 47.9 | 74.9 | 63.8 | 91.7 | 79.8 | 112.3 | 95.7 |
| 8'-6" | 1'-6" | 3'-0" | 64.3 | 55.3 | 96.9 | 82.9 | 129.1 | 110.6 | 161.4 | 138.2 | 180.0 | 165.9 |
| | - | 3'-6" | 55.3 | 47.6 | 83.0 | 71.3 | 110.6 | 95.1 | 138.3 | 118.9 | 166.0 | 142.7 |
| | 2'-0" | 4'-0" | 47.9 | 41.2 | 72.7 | 61.8 | 96.8 | 82.4 | 121.0 | 103.0 | 165.1 | 123.6 |
| | - | 4'-6" | 43.0 | 37.0 | 64.5 | 55.7 | 86.1 | 74.0 | 106.4 | 92.5 | 129.1 | 110.9 |
| | 2'-6" | 5'-0" | 38.7 | 33.3 | 58.2 | 49.9 | 77.4 | 66.6 | 96.8 | 83.2 | 116.2 | 99.8 |
| | - | 5'-6" | 34.9 | 30.0 | 52.8 | 45.0 | 70.4 | 60.0 | 86.2 | 75.0 | 105.6 | 90.0 |
| 9'-0" | 1'-6" | 3'-0" | 60.4 | 51.9 | 91.1 | 77.9 | 121.4 | 103.8 | 151.7 | 129.9 | 180.0 | 155.8 |
| | - | 3'-6" | 52.0 | 44.7 | 78.0 | 67.1 | 104.0 | 89.4 | 130.0 | 111.8 | 156.0 | 134.2 |
| | 2'-0" | 4'-0" | 45.0 | 38.7 | 68.3 | 58.1 | 91.0 | 77.4 | 113.7 | 96.8 | 136.3 | 116.1 |
| | - | 4'-6" | 40.4 | 34.7 | 60.6 | 52.1 | 80.9 | 69.5 | 100.0 | 86.9 | 121.4 | 104.2 |
| | 2'-6" | 5'-0" | 36.4 | 31.3 | 54.7 | 47.0 | 72.8 | 62.6 | 91.0 | 78.2 | 109.2 | 93.9 |
| | - | 5'-6" | 32.8 | 28.2 | 49.6 | 42.3 | 66.2 | 56.4 | 81.0 | 70.5 | 99.3 | 84.6 |
| - | 6'-0" | 30.3 | 26.1 | 45.2 | 39.1 | 60.6 | 52.1 | 75.9 | 65.1 | 91.0 | 70.2 | |

* MAX. POSITIVE A.S.D. DESIGN PRESSURE RATING FOR ALL CASES IS 90.0 psf

OPTIONAL SYSTEM #2



WALTER A. TILLIT JR.
LICENSE
No. 44167
STATE OF FLORIDA
PROFESSIONAL ENGINEER
1/2/2023
P.E. SEAL/SIGNATURE/DATE

© 2023 TILTECO INC.
TILTECO INC.
TILLIT TESTING & ENGINEERING COMPANY
6355 N.W. 36th St., Ste. 305 - VIRGINIA GARDENS, FL 33166
Phone: (305) 871-1530, Fax: (305) 871-1531
e-mail: tilteco@aol.com
CA-0006719
WALTER A. TILLIT Jr., P.E.
FLORIDA Lic. # 44167

FLORIDA BUILDING CODE (High & Non High Velocity Hurricane Zone)

HIGH IMPACT SERIES JAZZ 70,000 STOREFRONT SYSTEM W/ LARGE & SMALL MISSILE LAMINATED & INSULATED GLASS

W.H. DRAWN BY:
08/30/2023 DATE
23-204 DRAWING No
SHEET 31 OF 43

290 WEST 78 ROAD
HIALEAH, FL 33014
PH: (954)226-5555/(305)558-8103
FAX: (305)558-6665
www.gigwindows.com

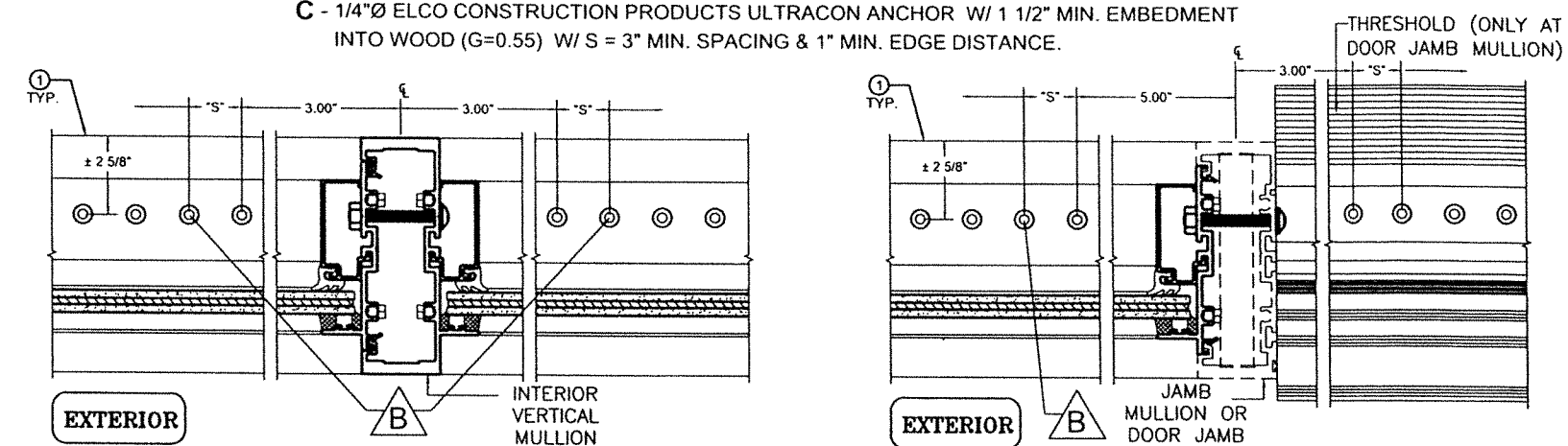
| REV. No | DESCRIPTION | DATE | REV. No | DESCRIPTION | DATE |
|---------|-------------|----------|---------|-------------|------|
| 1 | OLD 20-278 | 08/30/23 | 2 | - | - |

B FASTENERS TYPES & SUBSTRATES REQUIREMENTS:

- A** - 1/4"Ø ELCO CONSTRUCTION PRODUCTS, ULTRACON ANCHOR W/ 1 3/4" Min. EMBEDMENT INTO POURED CONCRETE (Min. f_c = 2.730 ksi), W/ S = 3" MIN. SPACING & 2 1/2" MIN. EDGE DISTANCE. EMBEDMENT & EDGE DISTANCE ARE BEYOND ANY FINISH MATERIAL.
- B** - 1/4"-14 ITW/BUILDEX TEK SCREW OR 1/4"-14 ELCO CONSTRUCTION PRODUCTS DRILL-FLEX W/ FULL ENGAGEMENT INTO MIN. 1/8" THK. (F_y = 33 Ksi) STEEL OR 1/8" THK. (6063-T6 ALLOY) ALUMINUM W/ MIN. (3) THREADS PASSED BEYOND STEEL THICKNESS.
- C** - 1/4"Ø ELCO CONSTRUCTION PRODUCTS ULTRACON ANCHOR W/ 1 1/2" MIN. EMBEDMENT INTO WOOD (G=0.55) W/ S = 3" MIN. SPACING & 1" MIN. EDGE DISTANCE.

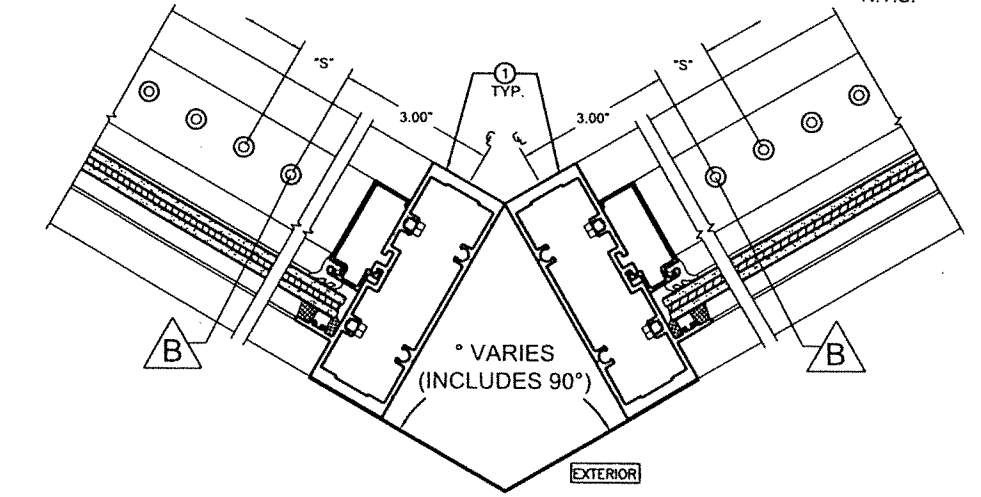
MAXIMUM A.S.D. DESIGN PRESSURE RATING SCHEDULE FOR INTERIOR, DOOR JAMB, CORNER & JAMB MULLION'S HEAD/SILL CONNECTIONS

| MAXIMUM MULLION SPAN "L"(Ft-in) | EFFECTIVE SPACING "b" (Ft-in) | | MAXIMUM DESIGN PRESSURE RATING W (psf) FOR 3/8" MAX. SHIM SPACE | | | | | | | | | |
|------------------------------------|----------------------------------|-------|---|------|-------------------|------|-------------------|-------|-------------------|-------|-------------------|-------|
| | | | n = 4 | | n = 6 | | n = 8 | | n = 10 | | n = 12 | |
| | | | CONCRETE OR METAL | WOOD | CONCRETE OR METAL | WOOD | CONCRETE OR METAL | WOOD | CONCRETE OR METAL | WOOD | CONCRETE OR METAL | WOOD |
| 9'-6" | 1'-6" | 3'-0" | 57.4 | 49.5 | 86.5 | 74.3 | 115.3 | 99.1 | 144.1 | 123.8 | 173.6 | 148.6 |
| | | 3'-6" | 49.4 | 42.5 | 74.1 | 63.7 | 98.8 | 85.0 | 123.5 | 106.2 | 148.2 | 127.5 |
| | 2'-0" | 4'-0" | 42.8 | 36.8 | 64.9 | 55.2 | 86.5 | 73.6 | 108.0 | 92.0 | 129.5 | 110.4 |
| | | 4'-6" | 38.4 | 33.0 | 57.6 | 49.5 | 76.9 | 66.0 | 95.0 | 82.6 | 115.3 | 99.1 |
| | 2'-6" | 5'-0" | 34.6 | 29.8 | 52.0 | 44.6 | 69.2 | 59.5 | 86.5 | 74.4 | 103.7 | 89.3 |
| | | 5'-6" | 31.1 | 26.7 | 47.1 | 40.0 | 62.9 | 53.4 | 77.0 | 66.8 | 94.3 | 80.1 |
| 2'-6" | 6'-0" | 28.8 | 24.8 | 42.9 | 37.2 | 57.6 | 49.5 | 72.1 | 61.9 | 86.5 | 74.3 | |
| | 10'-0" | 1'-6" | 54.5 | 46.9 | 82.2 | 70.3 | 109.5 | 93.7 | 136.9 | 117.2 | 164.9 | 140.6 |
| 3'-6" | | 46.9 | 40.3 | 70.4 | 60.5 | 93.9 | 80.7 | 117.3 | 100.8 | 140.8 | 121.0 | |
| 4'-0" | | 40.7 | 35.0 | 61.7 | 52.5 | 82.8 | 70.0 | 102.6 | 87.5 | 123.0 | 105.0 | |
| 4'-6" | | 36.5 | 31.4 | 54.7 | 47.1 | 73.0 | 62.8 | 90.3 | 78.5 | 109.5 | 94.2 | |
| 5'-0" | | 32.9 | 28.3 | 49.4 | 42.4 | 65.7 | 56.6 | 82.2 | 70.7 | 98.5 | 84.9 | |
| 5'-6" | | 29.5 | 25.4 | 44.7 | 38.1 | 59.8 | 50.7 | 73.2 | 63.4 | 89.6 | 76.1 | |
| 6'-0" | 27.4 | 23.6 | 40.8 | 35.3 | 54.7 | 47.1 | 68.5 | 58.9 | 82.2 | 70.7 | | |
| 10'-6" | 1'-6" | 3'-0" | 51.9 | 44.6 | 78.1 | 67.0 | 104.0 | 89.3 | 130.0 | 111.6 | 156.7 | 133.9 |
| | 3'-6" | 44.6 | 38.4 | 66.9 | 57.5 | 89.2 | 76.7 | 111.4 | 95.9 | 133.8 | 115.1 | |
| | 4'-0" | 38.7 | 33.3 | 58.6 | 49.9 | 78.1 | 66.6 | 97.5 | 83.2 | 116.9 | 99.8 | |
| | 4'-6" | 34.7 | 29.8 | 52.0 | 44.8 | 69.4 | 59.7 | 85.8 | 74.6 | 95.5 | 89.5 | |
| | 5'-0" | 31.3 | 26.9 | 46.9 | 40.4 | 62.4 | 53.8 | 78.1 | 67.3 | 93.6 | 80.8 | |
| | 5'-6" | 28.0 | 24.1 | 42.5 | 36.1 | 56.8 | 48.2 | 69.5 | 60.2 | 85.1 | 72.2 | |
| 6'-0" | 26.0 | 22.4 | 38.8 | 33.5 | 52.0 | 44.7 | 65.1 | 55.9 | 78.1 | 67.1 | | |
| 11'-0" | 1'-6" | 3'-0" | 49.5 | 42.6 | 74.2 | 63.9 | 98.8 | 85.1 | 123.5 | 106.4 | 148.9 | 127.7 |
| | 3'-6" | 42.4 | 36.4 | 63.6 | 54.7 | 84.7 | 72.9 | 105.8 | 91.2 | 127.1 | 109.4 | |
| | 4'-0" | 36.8 | 31.6 | 55.7 | 47.5 | 74.2 | 63.3 | 92.6 | 79.1 | 111.1 | 94.9 | |
| | 4'-6" | 33.0 | 28.4 | 49.4 | 42.6 | 65.9 | 56.8 | 81.5 | 71.0 | 90.7 | 85.1 | |
| | 5'-0" | 29.7 | 25.5 | 44.6 | 38.3 | 59.3 | 51.1 | 74.2 | 63.9 | 88.9 | 76.6 | |
| | 5'-6" | 26.6 | 22.9 | 40.4 | 34.3 | 54.0 | 45.8 | 66.0 | 57.2 | 80.8 | 68.6 | |
| 6'-0" | 24.7 | 21.2 | 36.9 | 31.9 | 49.4 | 42.5 | 61.8 | 53.1 | 74.2 | 63.7 | | |
| 11'-6" | 1'-6" | 3'-0" | 47.5 | 40.9 | 71.2 | 61.3 | 94.8 | 81.7 | 118.6 | 102.1 | 142.9 | 122.6 |
| | 3'-6" | 40.7 | 35.0 | 61.0 | 52.5 | 81.3 | 70.1 | 101.6 | 87.5 | 122.0 | 105.0 | |
| | 4'-0" | 35.3 | 30.4 | 53.4 | 45.5 | 71.2 | 60.7 | 88.9 | 75.9 | 106.7 | 91.1 | |
| | 4'-6" | 31.7 | 27.3 | 47.4 | 40.9 | 63.3 | 54.5 | 78.2 | 68.1 | 87.1 | 81.8 | |
| | 5'-0" | 28.5 | 24.5 | 42.8 | 36.8 | 56.9 | 49.0 | 71.2 | 61.3 | 85.3 | 73.8 | |
| | 5'-6" | 25.5 | 21.9 | 38.8 | 32.9 | 51.8 | 43.9 | 62.4 | 54.8 | 77.4 | 65.8 | |
| 6'-0" | 23.7 | 20.4 | 35.4 | 30.6 | 47.4 | 40.8 | 59.3 | 51.1 | 71.2 | 61.1 | | |
| 12'-0" | 3'-0" | 45.6 | 39.2 | 68.4 | 58.8 | 91.0 | 78.4 | 103.9 | 98.0 | 137.2 | 117.6 | |
| | 3'-6" | 39.1 | 33.6 | 58.6 | 50.4 | 78.0 | 67.3 | 97.5 | 84.1 | 117.2 | 100.9 | |
| | 4'-0" | 33.9 | 29.2 | 51.3 | 43.7 | 68.4 | 58.3 | 85.3 | 72.9 | 102.4 | 87.5 | |
| | 4'-6" | 30.4 | 26.1 | 45.5 | 39.2 | 60.8 | 52.2 | 75.1 | 65.4 | 83.6 | 78.4 | |
| | 5'-0" | 27.4 | 23.6 | 41.1 | 35.3 | 54.6 | 47.1 | 68.4 | 58.9 | 81.9 | 70.7 | |
| | 5'-6" | 24.5 | 21.1 | 37.2 | 31.6 | 49.7 | 42.1 | 59.9 | 52.7 | 74.3 | 63.2 | |
| 6'-0" | 22.8 | 19.6 | 34.0 | 29.4 | 45.5 | 39.2 | 56.9 | 49.0 | 68.4 | 58.8 | | |



SILL OR HEAD CONNECTION DETAIL @ INTERIOR VERTICAL MULLION
(PLAN VIEW) N.T.S.
n = TOTAL NUMBER OF FASTENERS PER CONNECTION AT HEAD/SILL, EQUALLY INSTALLED W/ (n/2) AT EACH SIDE OF INTERIOR VERTICAL MULLION

SILL OR HEAD CONNECTION DETAIL @ JAMB OR DOOR JAMB MULLION (SEE SHEET 42)
(PLAN VIEW) N.T.S.
n = TOTAL NUMBER OF FASTENERS PER CONNECTION AT HEAD/SILL, INSTALLED AT ONE SIDE OF JAMB MULLION OR W/ (n/2) AT EACH SIDE OF DOOR JAMB MULLION



SILL OR HEAD CONNECTION DETAIL @ CORNER MULLION
(PLAN VIEW) N.T.S.
n = EQUALLY NUMBER OF FASTENERS PER CONNECTION AT CORNER EQUALLY INSTALLED W/ (n/2) AT EACH SIDE OF CORNER MULLION

* MAX. POSITIVE A.S.D. DESIGN PRESSURE RATING FOR ALL CASES IS 90.0 psf

OPTIONAL SYSTEM #2

WALTER A. TILLIT JR.
LICENSE
No. 44167
P.E. SEAL/SIGNATURE/DATE

© 2023 TILTECO INC.
TILTECO INC.
TILLIT TESTING & ENGINEERING COMPANY
6355 N.W. 36th. St., Ste. 305 - VIRGINIA GARDENS, FL 33166
Phone : (305) 871-1530 . Fax : (305) 871-1531
e-mail: tilteco@aol.com
CA-0006719
WALTER A. TILLIT JR., P.E.
FLORIDA Lic. # 44167

FLORIDA BUILDING CODE (High & Non High Velocity Hurricane Zone)

HIGH IMPACT SERIES JAZZ 70,000 STOREFRONT SYSTEM W/ LARGE & SMALL MISSILE LAMINATED & INSULATED GLASS

290 WEST 78 ROAD
HIALEAH, FL 33014
PH: (954)226-5555/(305)558-8103
FAX: (305)558-6665
www.gigwindows.com

W.H DRAWN BY:
08/30/2023 DATE
23-204 DRAWING No
SHEET 31 A OF 43

| REV. No | DESCRIPTION | DATE | REV. No | DESCRIPTION | DATE |
|---------|-------------|----------|---------|-------------|------|
| 1 | OLD 20-278 | 08/30/23 | 2 | - | - |

MAX. ANCHOR SPACING FOR ATTACHED JAMB MULLION "A" TO EXISTING STRUCTURE GIVEN A.S.D DESIGN WIND LOAD AND EFFECTIVE SPACING "b" TO BE USED WHEN FREE STANDING MULLION "A" (NOT ATTACHED TO STRUCTURE) CANNOT MEET THE REQUIRED SPAN "L" FOR A GIVEN A.S.D DESIGN WIND LOAD *

| MAXIMUM ASD DESIGN PRESSURE RAITING (psf)** | EFFECTIVE SPACING FOR "A" *** "b" (Ft-in) | MAX. ANCHOR SPACING FOR | | | |
|---|---|---|---------|---|---------|
| | | 1/4" SHIM SPACE | | 3/8" SHIM SPACE | |
| | | CONCRETE, CONCRETE BLOCK, STEEL OR ALUMINUM | WOOD | CONCRETE, CONCRETE BLOCK, STEEL OR ALUMINUM | WOOD |
| 47.8 or LESS | 1'-6" | 15" O.C | 15" O.C | 15" O.C | 15" O.C |
| | 2'-0" | 15" O.C | 15" O.C | 15" O.C | 15" O.C |
| | 2'-6" | 15" O.C | 15" O.C | 15" O.C | 15" O.C |
| 50.0 | 1'-6" | 15" O.C | 15" O.C | 15" O.C | 15" O.C |
| | 2'-0" | 15" O.C | 15" O.C | 15" O.C | 15" O.C |
| | 2'-6" | 15" O.C | 15" O.C | 15" O.C | 15" O.C |
| 60.0 | 1'-6" | 15" O.C | 15" O.C | 15" O.C | 15" O.C |
| | 2'-0" | 15" O.C | 15" O.C | 15" O.C | 15" O.C |
| | 2'-6" | 15" O.C | 12" O.C | 15" O.C | 12" O.C |
| 70.0 | 1'-6" | 15" O.C | 15" O.C | 15" O.C | 15" O.C |
| | 2'-0" | 15" O.C | 15" O.C | 15" O.C | 15" O.C |
| | 2'-6" | 15" O.C | 12" O.C | 12" O.C | 12" O.C |
| 80.0 | 1'-6" | 15" O.C | 15" O.C | 15" O.C | 15" O.C |
| | 2'-0" | 15" O.C | 12" O.C | 15" O.C | 12" O.C |
| | 2'-6" | 15" O.C | 10" O.C | 12" O.C | 10" O.C |
| 90.0 | 1'-6" | 15" O.C | 15" O.C | 15" O.C | 15" O.C |
| | 2'-0" | 15" O.C | 10" O.C | 12" O.C | 10" O.C |
| | 2'-6" | 14" O.C | 9" O.C | 10" O.C | 9" O.C |
| 100.0 | 1'-6" | 15" O.C | 12" O.C | 15" O.C | 12" O.C |
| | 2'-0" | 15" O.C | 10" O.C | 12" O.C | 10" O.C |
| | 2'-6" | 12" O.C | 8" O.C | 9" O.C | 8" O.C |
| 110.0 | 1'-6" | 15" O.C | 12" O.C | 15" O.C | 12" O.C |
| | 2'-0" | 12" O.C | 9" O.C | 10" O.C | 9" O.C |
| | 2'-6" | 12" O.C | 8" O.C | 9" O.C | 8" O.C |
| 120.0 | 1'-6" | 15" O.C | 10" O.C | 12" O.C | 10" O.C |
| | 2'-0" | 12" O.C | 9" O.C | 10" O.C | 9" O.C |
| | 2'-6" | 10" O.C | 7" O.C | 8" O.C | 7" O.C |
| 130.0 | 1'-6" | 15" O.C | 10" O.C | 12" O.C | 10" O.C |
| | 2'-0" | 12" O.C | 8" O.C | 9" O.C | 8" O.C |
| | 2'-6" | 10" O.C | 6" O.C | 7" O.C | 6" O.C |
| 140.0 | 1'-6" | 15" O.C | 10" O.C | 12" O.C | 10" O.C |
| | 2'-0" | 12" O.C | 8" O.C | 9" O.C | 8" O.C |
| | 2'-6" | 10" O.C | 6" O.C | 7" O.C | 6" O.C |
| 150.0 | 1'-6" | 12" O.C | 9" O.C | 10" O.C | 9" O.C |
| | 2'-0" | 10" O.C | 7" O.C | 8" O.C | 7" O.C |
| | 2'-6" | 10" O.C | 6" O.C | 7" O.C | 6" O.C |
| 160.0 | 1'-6" | 12" O.C | 9" O.C | 10" O.C | 9" O.C |
| | 2'-0" | 10" O.C | 6" O.C | 7" O.C | 6" O.C |
| | 2'-6" | 8" O.C | 5" O.C | 6" O.C | 5" O.C |
| 170.0 | 1'-6" | 12" O.C | 8" O.C | 9" O.C | 8" O.C |
| | 2'-0" | 10" O.C | 6" O.C | 7" O.C | 6" O.C |
| | 2'-6" | 8" O.C | 5" O.C | 6" O.C | 5" O.C |
| 180.0 | 1'-6" | 7" O.C | 7" O.C | 7" O.C | 7" O.C |
| | 2'-0" | 7" O.C | 6" O.C | 7" O.C | 6" O.C |
| | 2'-6" | 6" O.C | 4" O.C | 5" O.C | 4" O.C |

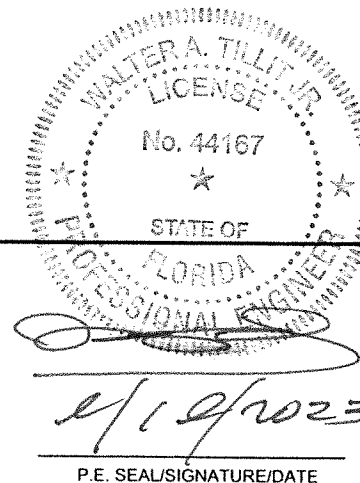


FASTENERS TYPES & SUBSTRATES REQUIREMENTS:

- A** - 1/4"Ø ELCO CONSTRUCTION PRODUCTS, ULTRACON ANCHOR W/ 1 3/4" Min. EMBEDMENT INTO POURED CONCRETE (Min. f_c = 2.730 ksi), W/ S = 3" MIN. SPACING & 2 1/2" MIN. EDGE DISTANCE OR WITH 1 1/4" MIN. EMBEDMENT INTO ASTM C-90 CONCRETE BLOCK WITH S= 6" MIN. SPACING AND 2 1/2" MIN. EDGE DISTANCE ARE BEYOND ANY FINISH MATERIAL.
- B** - 1/4"-14 ITW/BUILDEX TEK SCREW OR 1/4"-14 ELCO CONSTRUCTION PRODUCTS DRILL-FLEX W/ FULL ENGAGEMENT INTO MIN. 1/8" THK. (F_y = 33 Ksi) STEEL OR 1/8" THK. (6063-T6 ALLOY) ALUMINUM W/ MIN. (3) THREADS PASSED BEYOND STEEL THICKNESS.
- C** - 1/4"Ø ELCO CONSTRUCTION PRODUCTS ULTRACON ANCHOR W/ 1 1/2" MIN. EMBEDMENT INTO WOOD (G=0.55) W/ S = 3" MIN. SPACING & 1" MIN. EDGE DISTANCE.

- * SEE SHEETS 26 & 38 FOR ANCHOR LOCATION.
- ** MAX. POSITIVE DESIGN PRESSURE RATING 90.0 psf FOR ALL CASES.
- *** SEE SHEET 28 FOR DEFINITION OF EFFECTIVE SPACING "b" FOR ATTACHED JAMB MULLION.

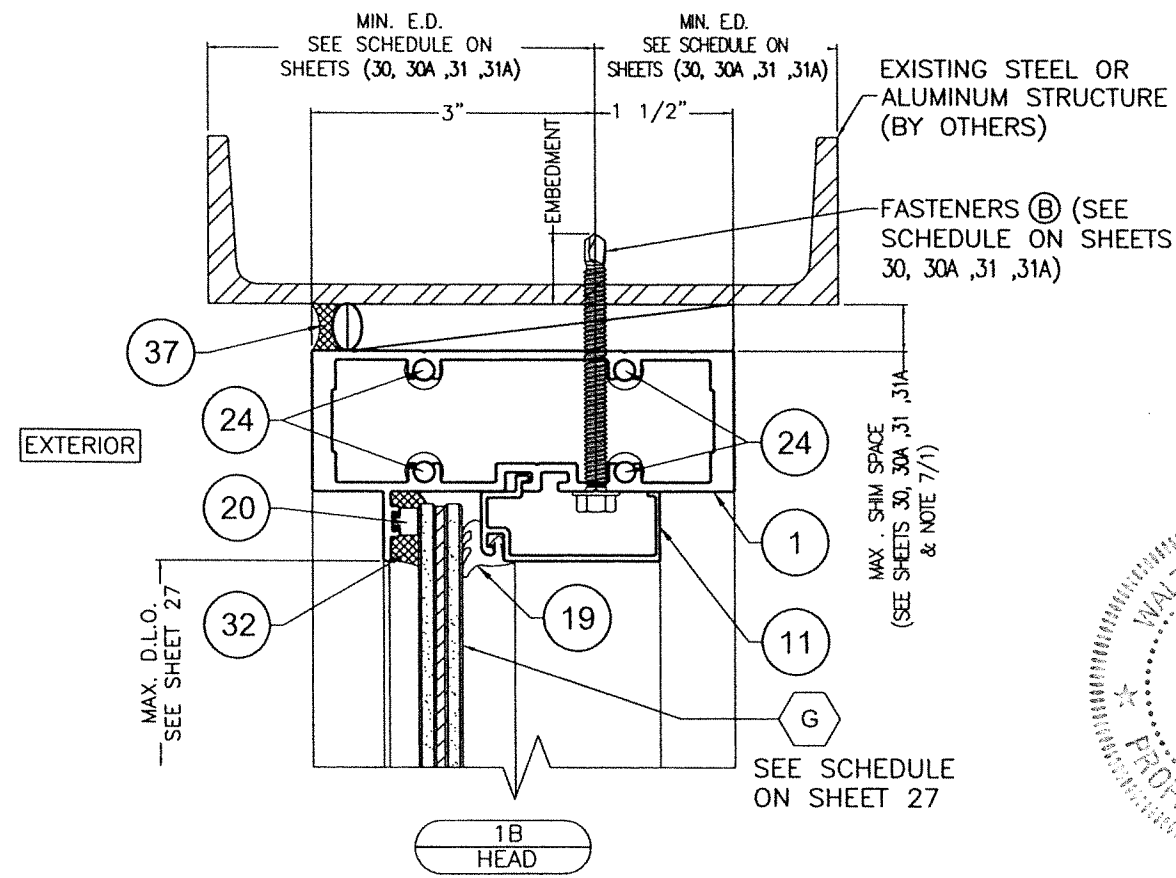
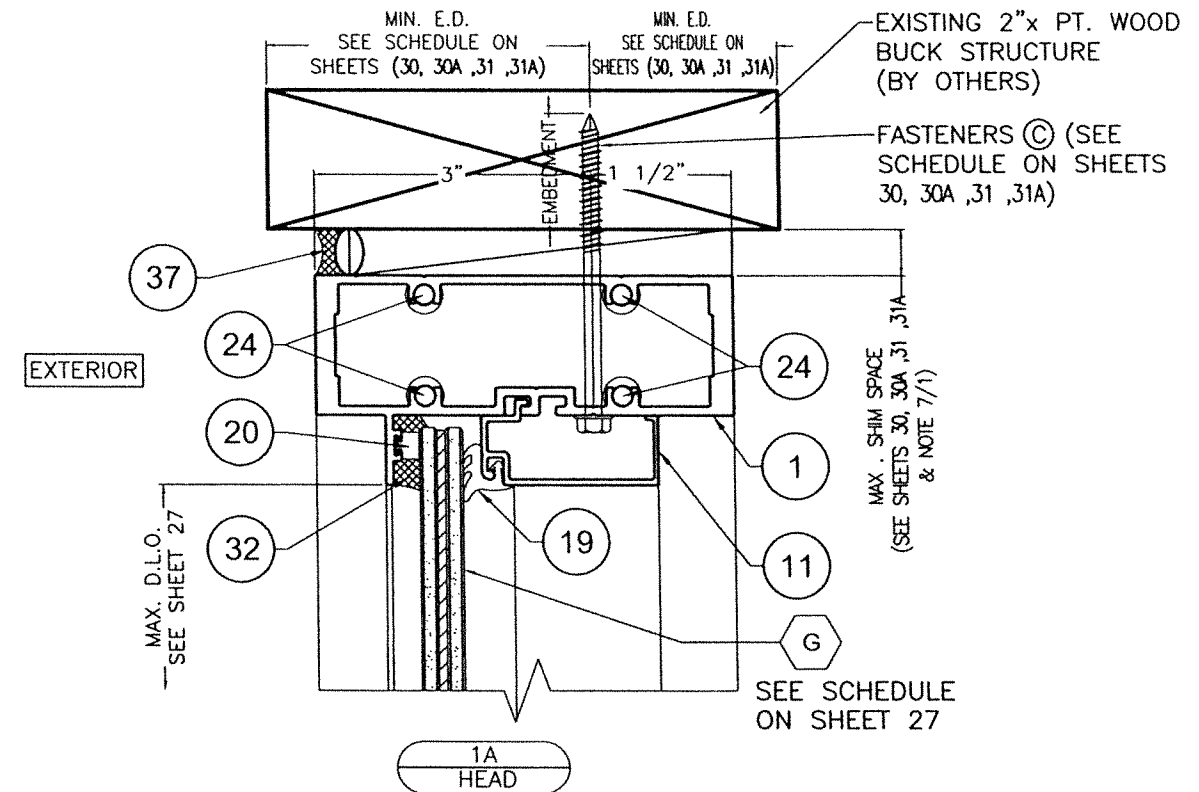
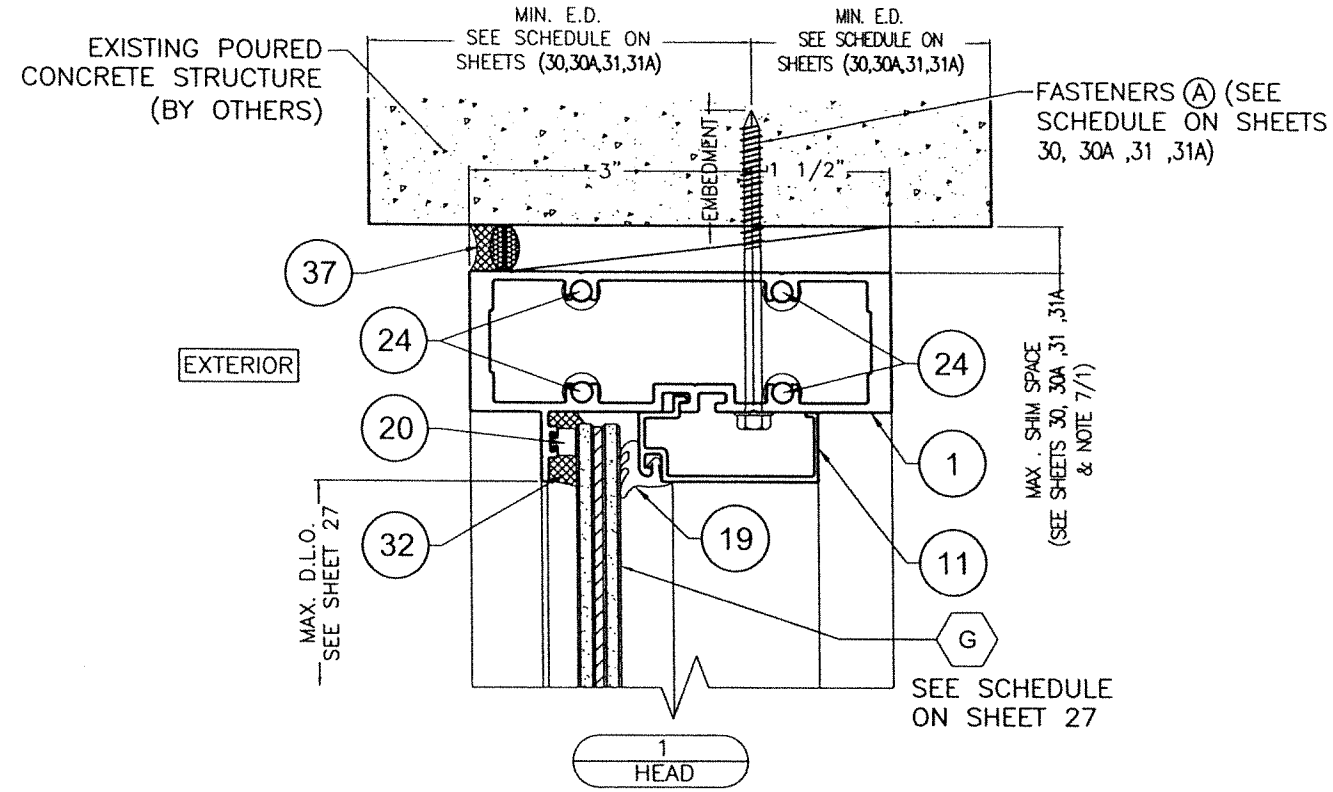
OPTIONAL SYSTEM #2



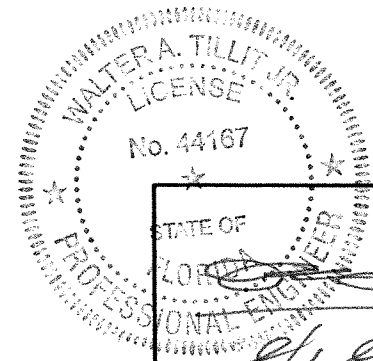
FLORIDA BUILDING CODE (High & Non High Velocity Hurricane Zone)

| | | | | | |
|--|---------------------------|---|--|------------------|-----------|
| TILTECO INC. TILLIT TESTING & ENGINEERING COMPANY 6355 N.W. 36th. St., Ste. 305 - VIRGINIA GARDENS, FL 33166 Phone : (305) 871-1530 . Fax : (305) 871-1531 e-mail: tilteco@aol.com CA-0006719 WALTER A. TILLIT Jr., P.E. FLORIDA Lic. # 44167 | | HIGH IMPACT SERIES JAZZ 70.000 STOREFRONT SYSTEM W/ LARGE & SMALL MISSILE LAMINATED & INSULATED GLASS 290 WEST 78 ROAD HIALEAH, FL 33014 PH: (954)226-5555/(305)558-8103 FAX: (305)558-6665 www.gigwindows.com | W.H DRAWN BY: 08/30/2023 DATE 23-204 DRAWING No SHEET 32 OF 43 | | |
| REV. No 1 | DESCRIPTION OLD 20-278 | DATE 08/30/23 | REV. No 2 | DESCRIPTION - | DATE - |

HEAD CONNECTION DETAILS W/ LAMINATED GLASS



OPTIONAL SYSTEM #2



P.E. SEAL/SIGNATURE/DATE

© 2023 TILTECO INC.

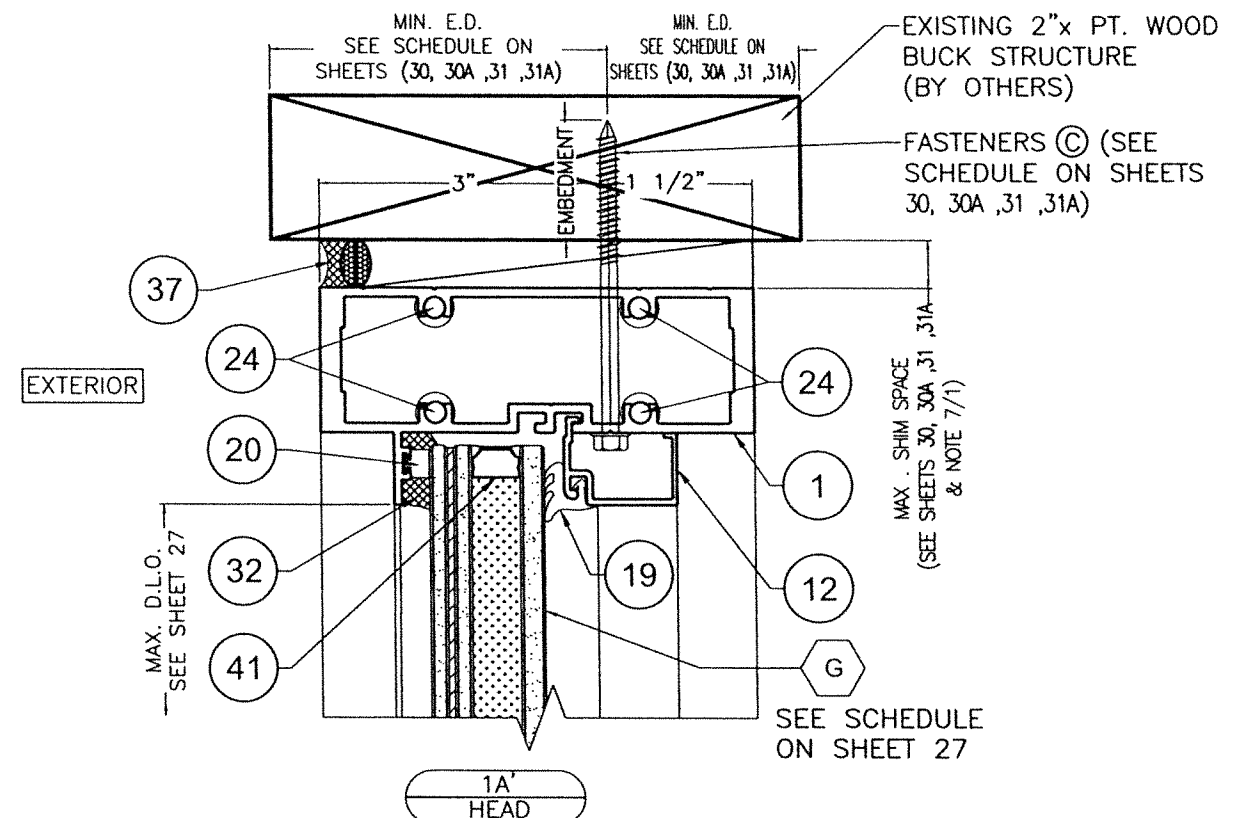
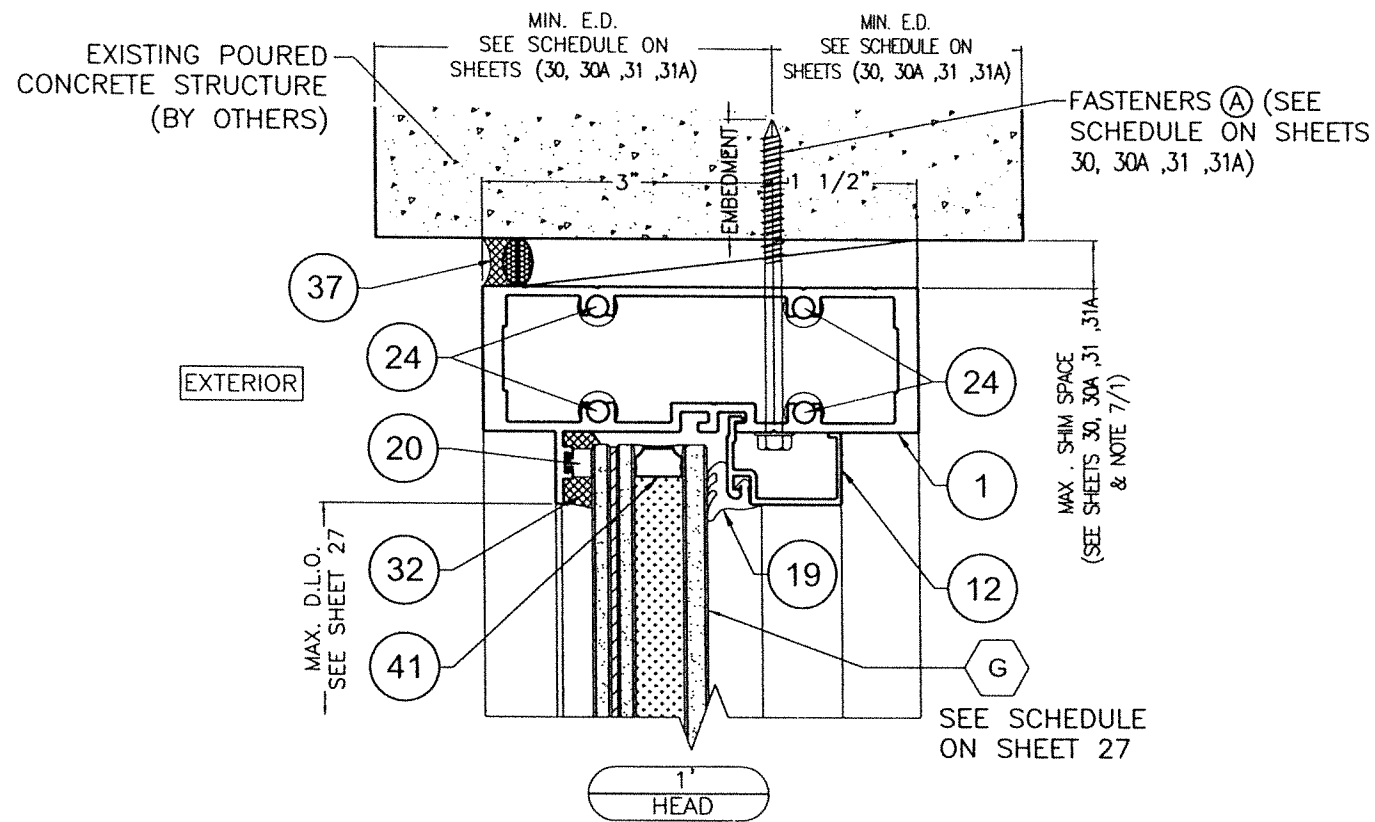
TILTECO INC.

TILLIT TESTING & ENGINEERING COMPANY
 6355 N.W. 36th St., Ste. 305 - VIRGINIA GARDENS, FL 33166
 Phone : (305) 871-1530 , Fax : (305) 871-1531
 e-mail: tilteco@aol.com
 CA-0006719
 WALTER A. TILLIT Jr., P.E.
 FLORIDA Lic. # 44167

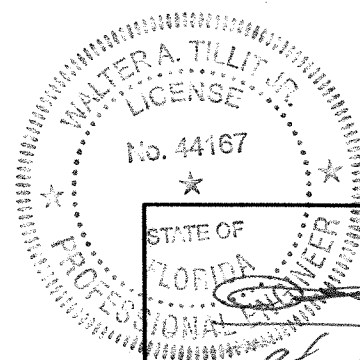
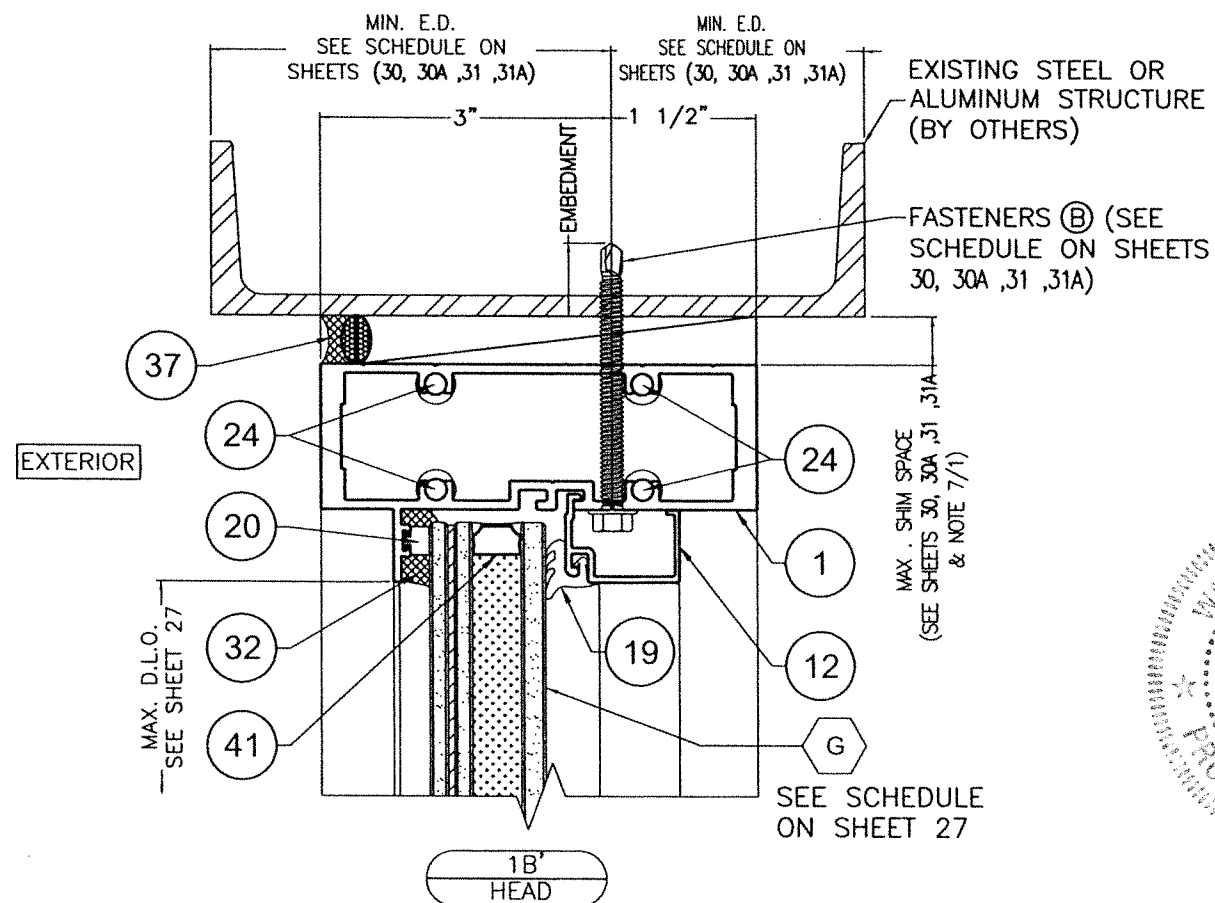
FLORIDA BUILDING CODE (High & Non High Velocity Hurricane Zone)

| | | |
|---|-------------|-----------------------------|
| HIGH IMPACT SERIES JAZZ 70.000 STOREFRONT SYSTEM W/ LARGE & SMALL MISSILE LAMINATED & INSULATED GLASS | | W.H DRAWN BY: |
| | | 08/30/2023 DATE |
| 290 WEST 78 ROAD HIALEAH, FL. 33014 PH: (954)226-5555/(305)558-8103 FAX: (305)558-6665 www.gigwindows.com | | 23-204 DRAWING No |
| REV. No | DESCRIPTION | DATE |
| 1 | OLD 20-276 | 08/30/23 |
| REV. No | DESCRIPTION | DATE |
| 2 | - | - |

HEAD CONNECTION DETAILS W/ INSULATED GLASS



OPTIONAL SYSTEM #2




P.E. SEAL/SIGNATURE/DATE

FLORIDA BUILDING CODE (High & Non High Velocity Hurricane Zone)

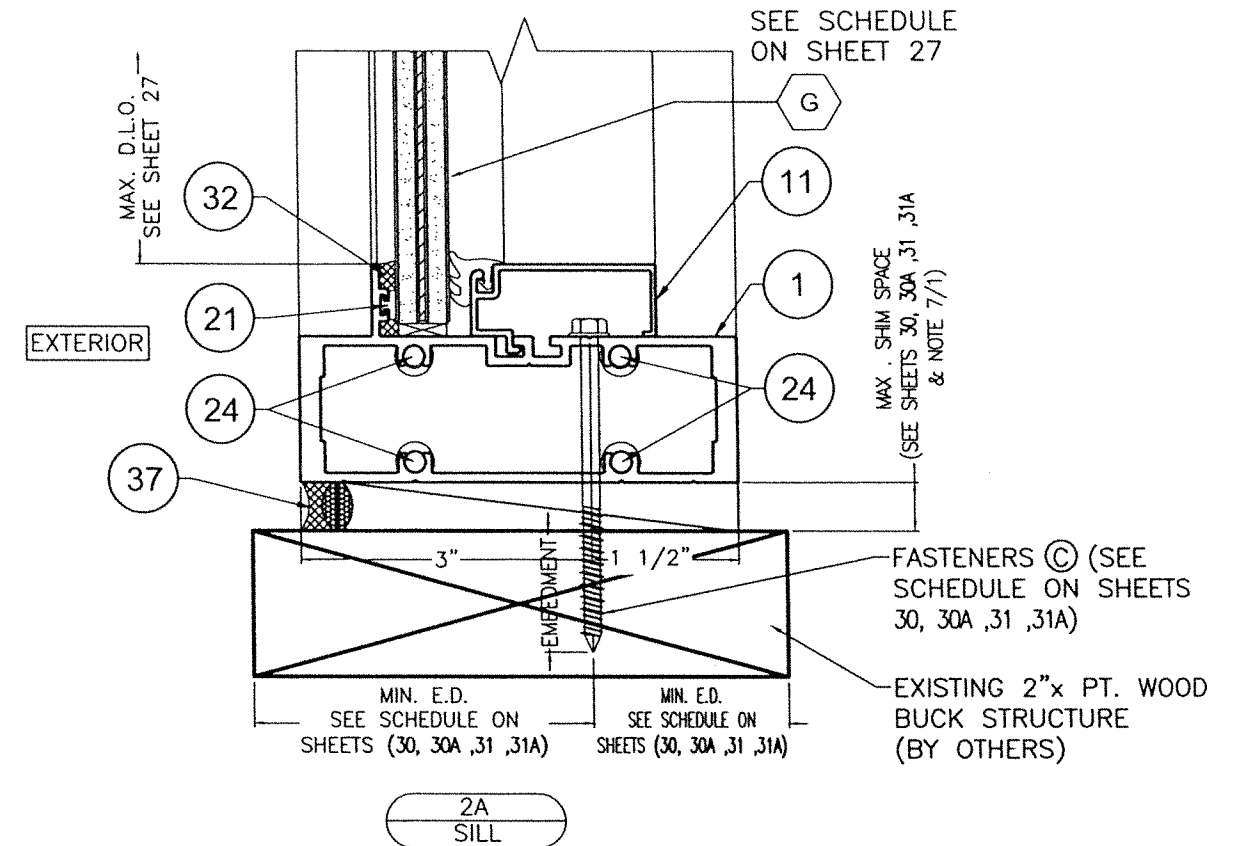
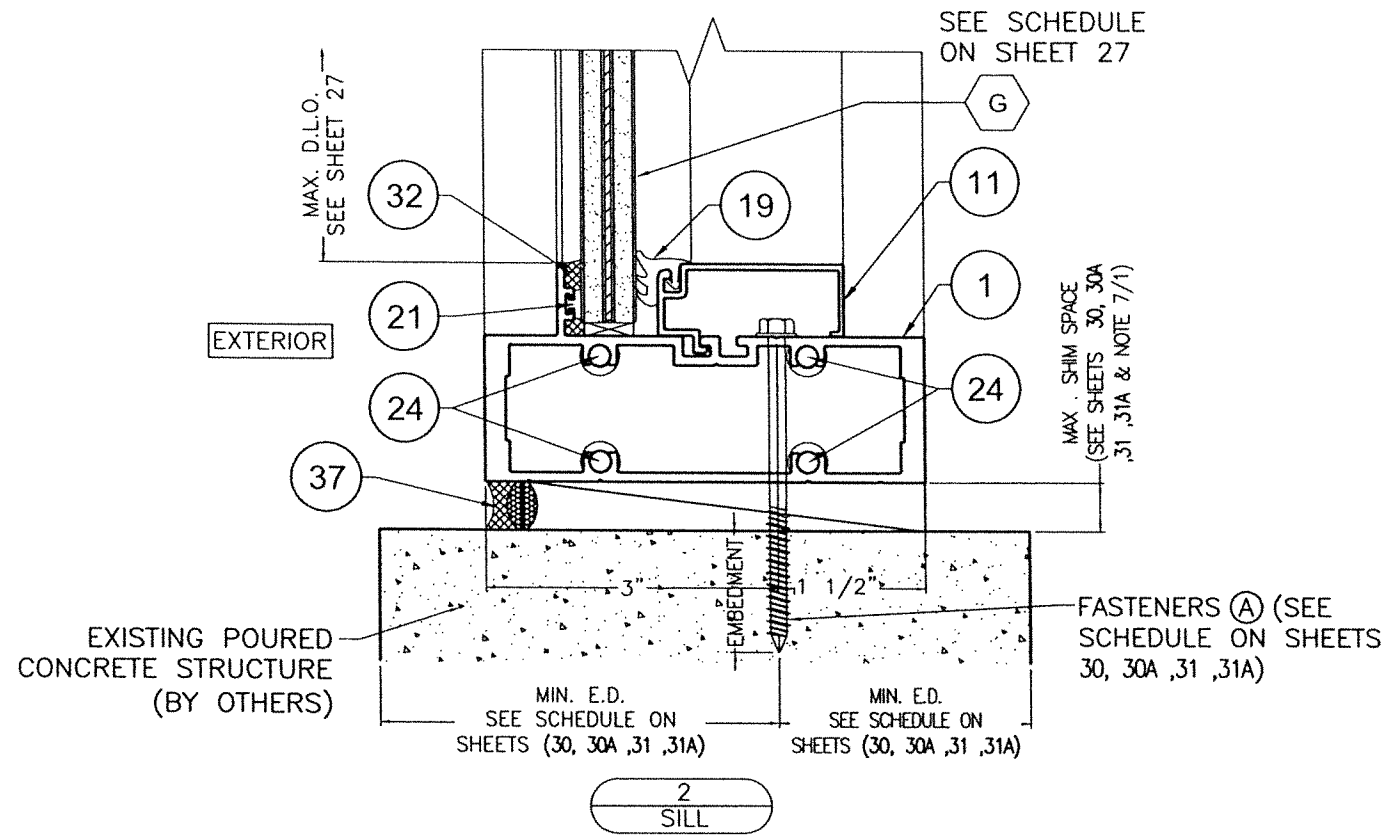
© 2023 TILTECO INC.

TILTECO INC.

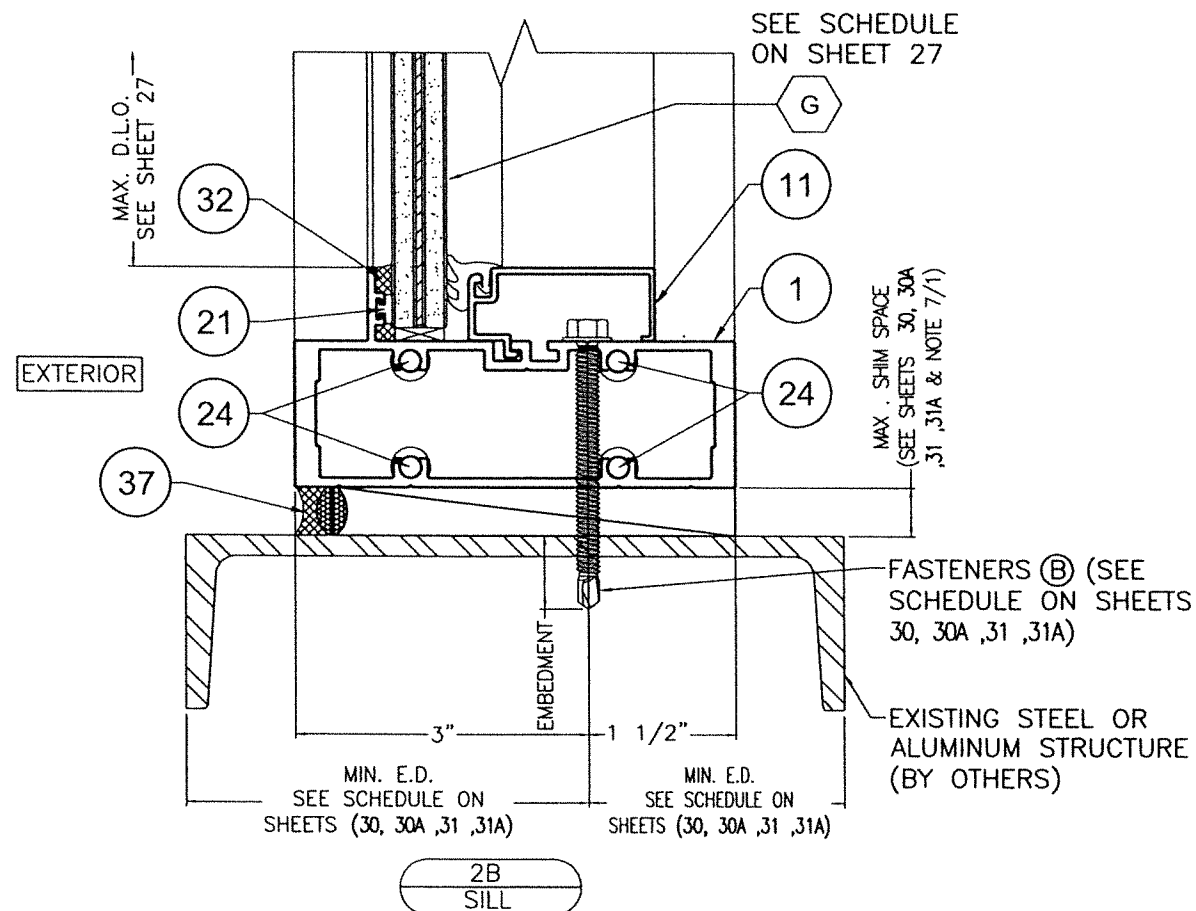
TILLIT TESTING & ENGINEERING COMPANY
 6355 N.W. 36th St., Ste. 305 - VIRGINIA GARDENS, FL 33166
 Phone: (305) 871-1530, Fax: (305) 871-1531
 e-mail: tilteco@aol.com
 CA-0006719
 WALTER A. TILLIT Jr., P.E.
 FLORIDA Lic. # 44167

| | | | | | |
|---|-------------|----------|---------|-----------------------------|------|
| HIGH IMPACT SERIES JAZZ 70,000 STOREFRONT SYSTEM W/ LARGE & SMALL MISSILE LAMINATED & INSULATED GLASS | | | | W.H DRAWN BY: | |
|  290 WEST 78 ROAD HIALEAH, FL 33014 PH: (954)226-5555/(305)558-8103 FAX: (305)558-6665 www.gigwindows.com | | | | 08/30/2023 DATE | |
| | | | | 23-204 DRAWING No | |
| REV. No | DESCRIPTION | DATE | REV. No | DESCRIPTION | DATE |
| 1 | OLD 20-276 | 08/30/23 | 2 | - | - |

SILL CONNECTION DETAILS W/ LAMINATED GLASS



OPTIONAL SYSTEM #2



WALTER A. TILLIT JR.
LICENSE
No. 44167
STATE OF FLORIDA
PROFESSIONAL ENGINEER

Walter A. Tillit Jr.
P.E. SEAL/SIGNATURE/DATE

FLORIDA BUILDING CODE (High & Non High Velocity Hurricane Zone)

© 2023 TILTECO INC.

TILTECO INC.

TILLIT TESTING & ENGINEERING COMPANY
6355 N.W. 36th St., Ste. 305 - VIRGINIA GARDENS, FL 33166
Phone : (305) 871-1530 , Fax : (305) 871-1531
e-mail: tilteco@aol.com
CA-0006719
WALTER A. TILLIT Jr., P.E.
FLORIDA Lic. # 44167

HIGH IMPACT SERIES JAZZ 70.000 STOREFRONT SYSTEM W/
LARGE & SMALL MISSILE LAMINATED & INSULATED GLASS



290 WEST 78 ROAD
HIALEAH, FL 33014
PH: (954)226-5555/(305)558-8103
FAX: (305)558-6665
www.gigwindows.com

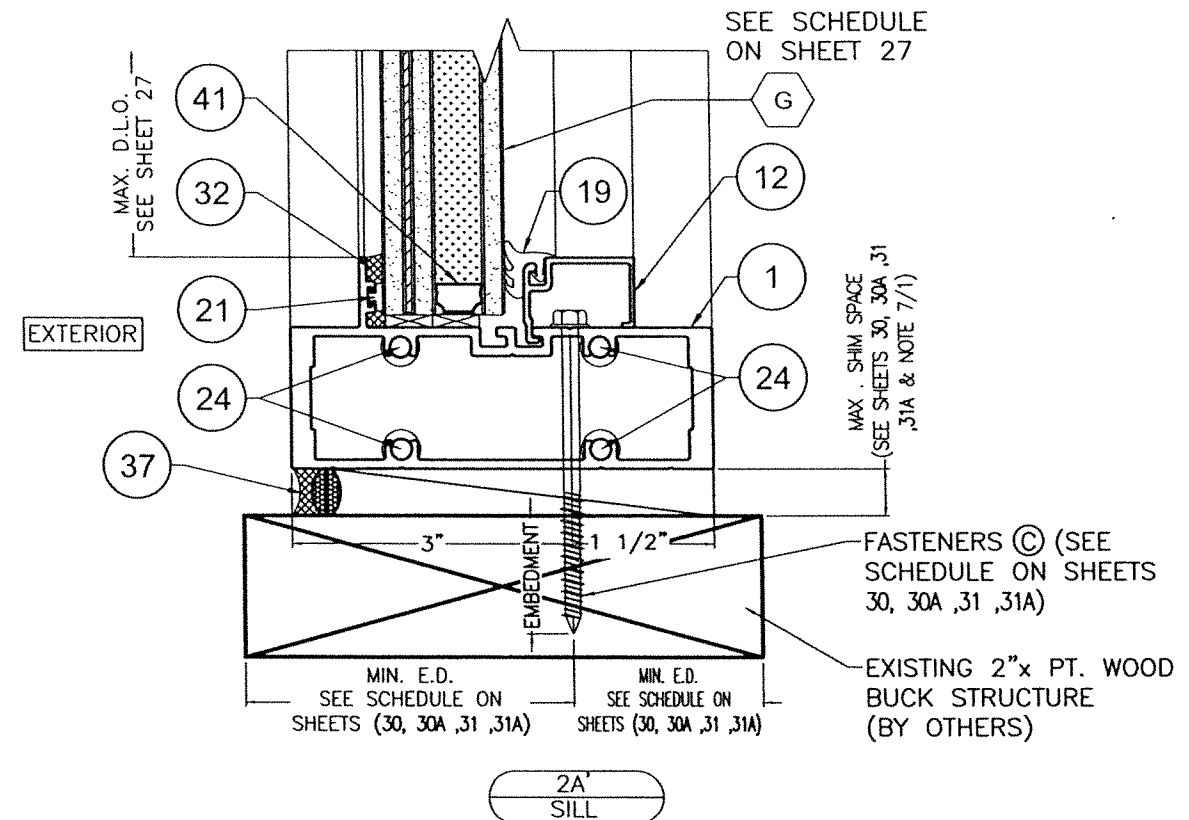
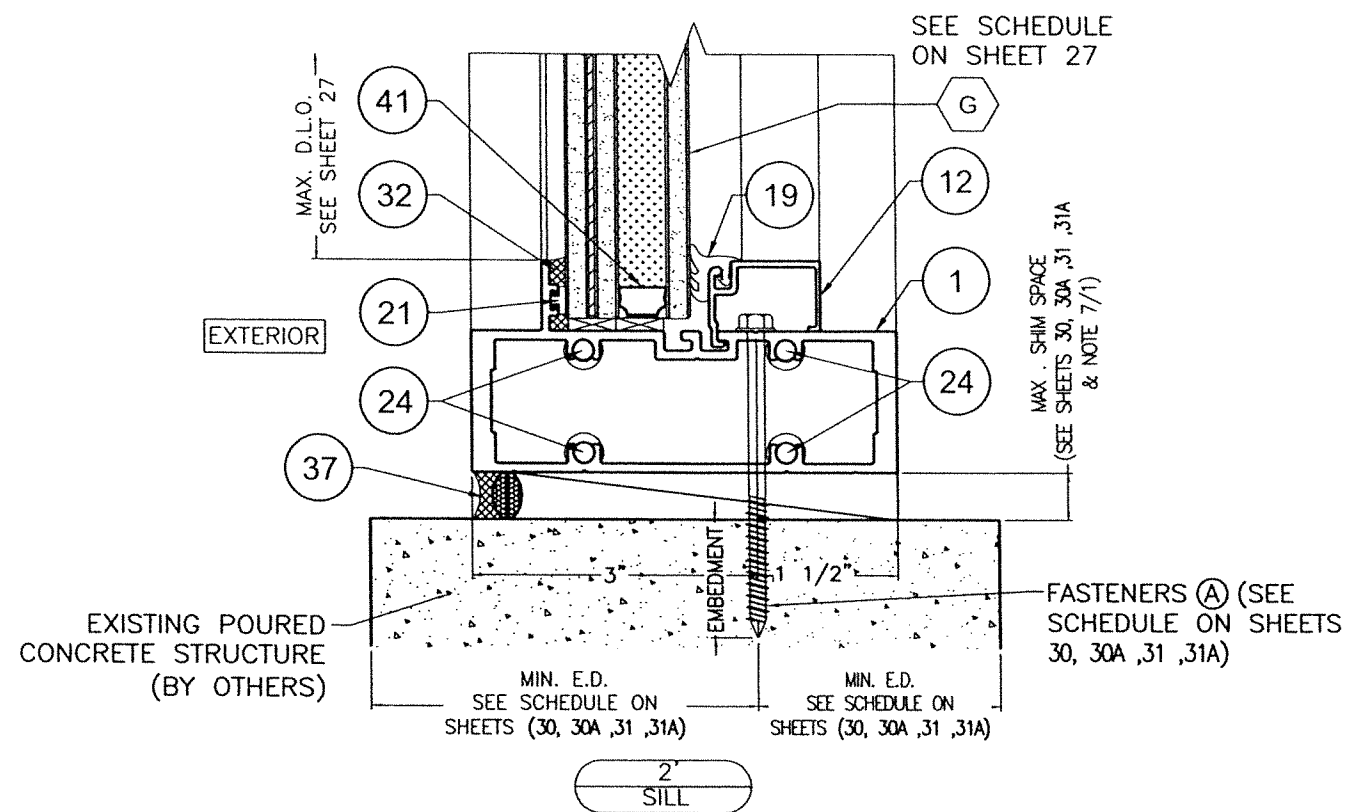
W.H
DRAWN BY:

08/30/2023
DATE

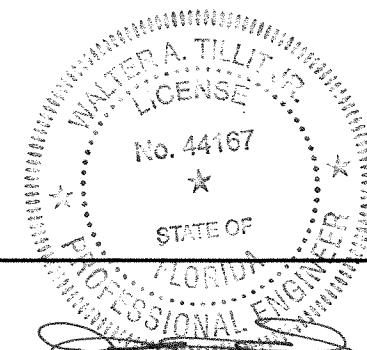
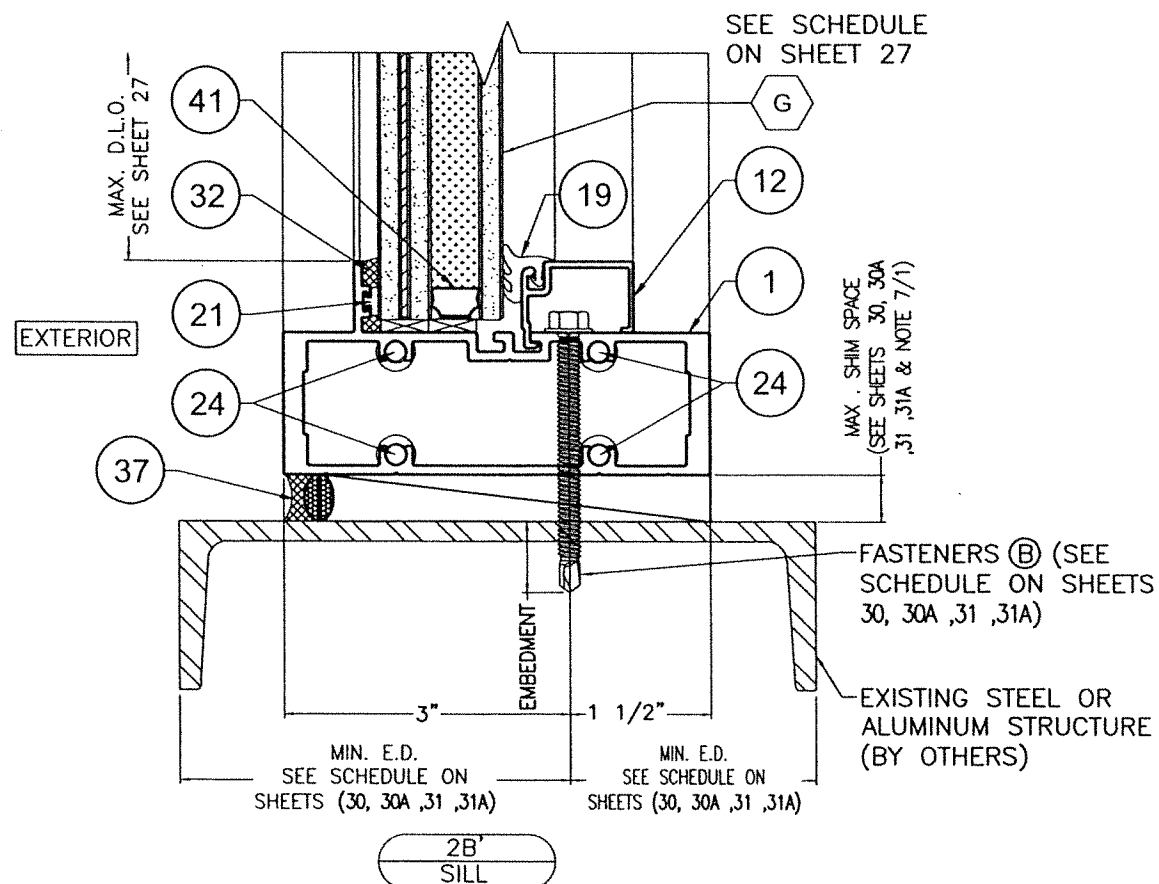
23-204
DRAWING No

| REV. No | DESCRIPTION | DATE | REV. No | DESCRIPTION | DATE |
|---------|-------------|----------|---------|-------------|------|
| 1 | OLD 20-276 | 08/30/23 | 2 | - | - |

SILL CONNECTION DETAILS W/ INSULATED GLASS



OPTIONAL SYSTEM #2



W.A. Tillit Jr.
e/12/2023
P.E. SEAL/SIGNATURE/DATE

FLORIDA BUILDING CODE (High & Non High Velocity Hurricane Zone)

© 2023 TILTECO INC.

TILTECO INC.

TILLIT TESTING & ENGINEERING COMPANY
6355 N.W. 36th. St., Ste. 305 - VIRGINIA GARDENS, FL 33166
Phone : (305) 871-1530 , Fax : (305) 871-1531
e-mail: tilteco@aol.com
CA-0006719
WALTER A. TILLIT Jr., P.E.
FLORIDA Lic. # 44167

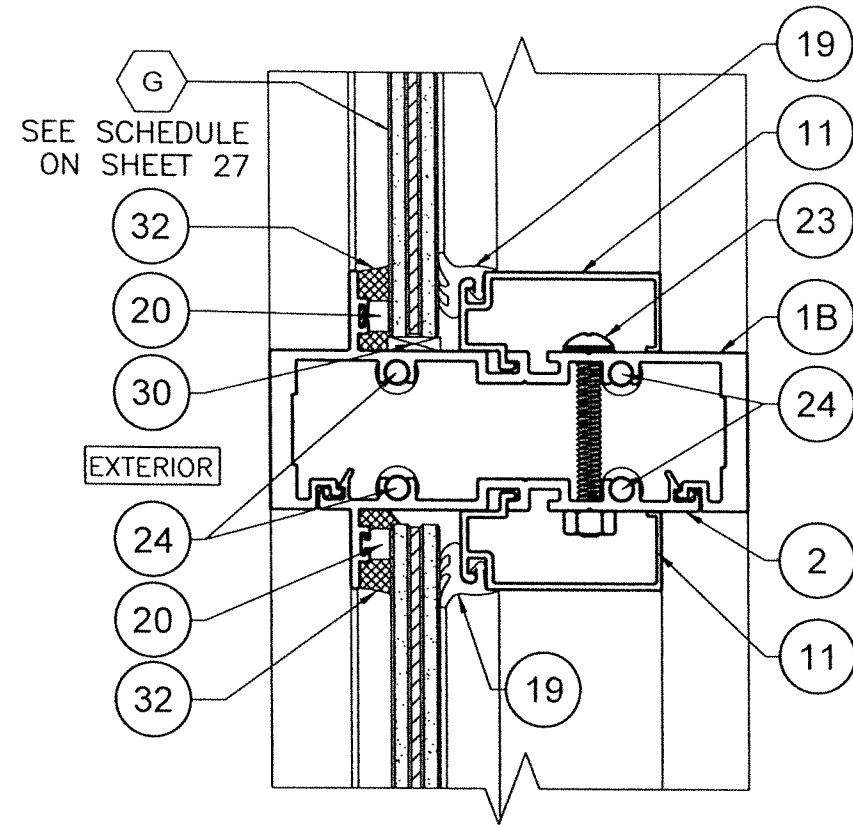
HIGH IMPACT SERIES JAZZ 70.000 STOREFRONT SYSTEM W/
LARGE & SMALL MISSILE LAMINATED & INSULATED GLASS

GIG WINDOWS & DOORS
290 WEST 78 ROAD
HIALEAH, FL 33014
PH: (954)226-5555/(305)558-8103
FAX: (305)558-6665
www.gigwindows.com

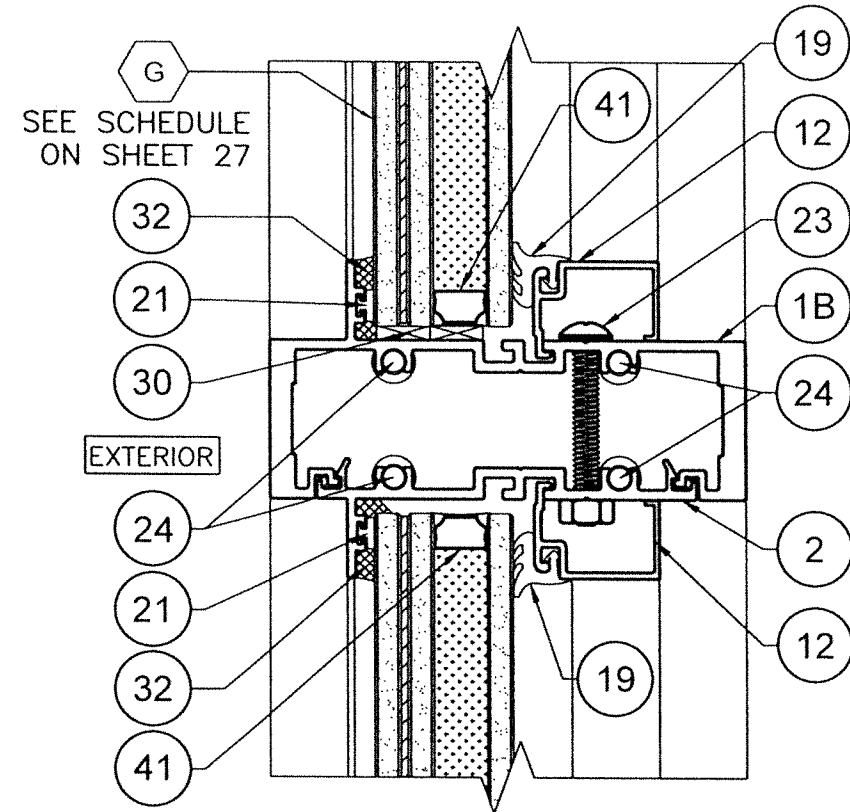
| REV. No | DESCRIPTION | DATE | REV. No | DESCRIPTION | DATE |
|---------|-------------|----------|---------|-------------|------|
| 1 | OLD 20-276 | 08/30/23 | 2 | - | - |

W.H
DRAWN BY:
08/30/2023
DATE
23-204
DRAWING No
SHEET 36 OF 43

HORIZONTAL MULLION DETAILS

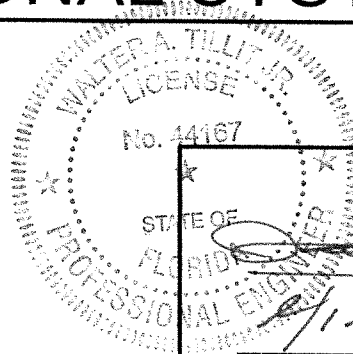


3
HORIZONTAL MULLION
W/ LAMINATED GLASS



3'
HORIZONTAL MULLION
W/ INSULATED GLASS

OPTIONAL SYSTEM #2



P.E. SEAL/SIGNATURE/DATE

FLORIDA BUILDING CODE (High & Non High Velocity Hurricane Zone)

© 2023 TILTECO INC.

TILTECO INC.

TILLIT TESTING & ENGINEERING COMPANY
 6355 N.W. 36th. St., Ste. 305 - VIRGINIA GARDENS, FL 33186
 Phone : (305) 871-1530 . Fax : (305) 871-1531
 e-mail: tilteco@aol.com
 CA-0006719
 WALTER A. TILLIT Jr., P.E.
 FLORIDA Lic. # 44167

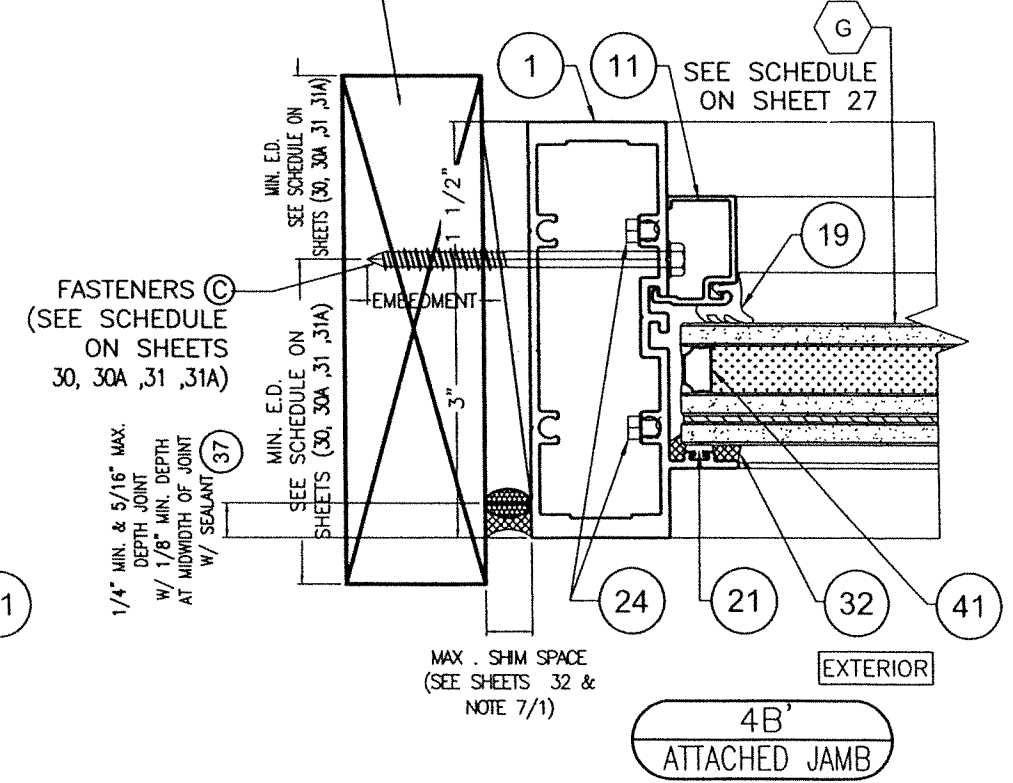
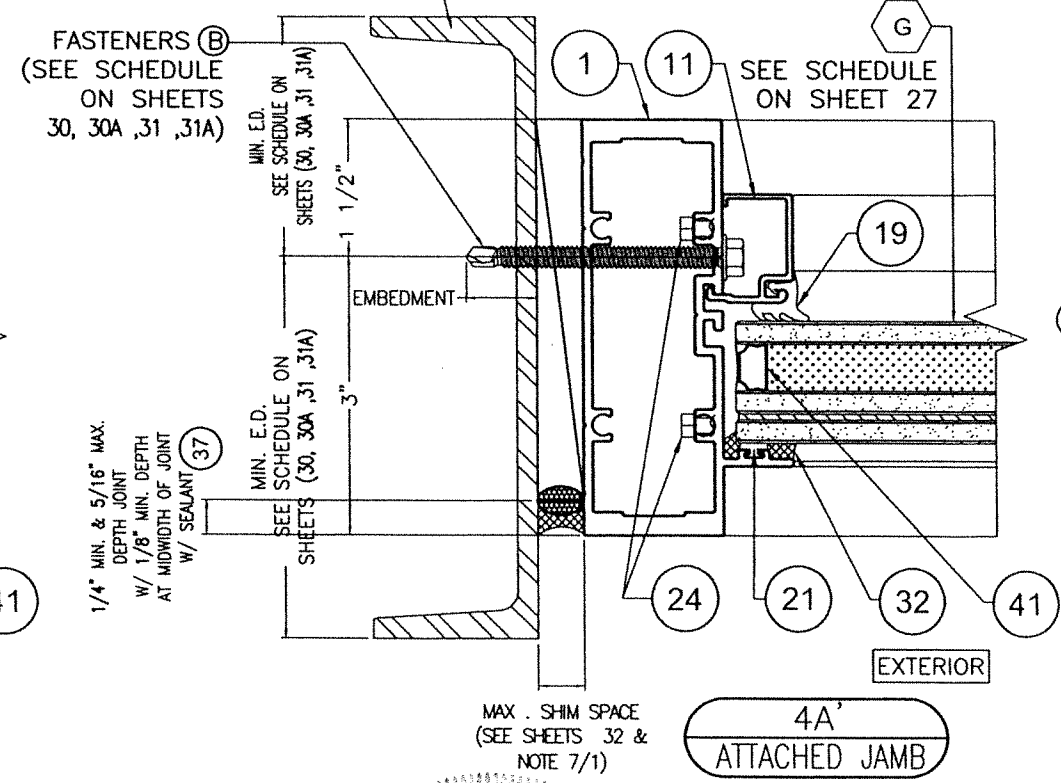
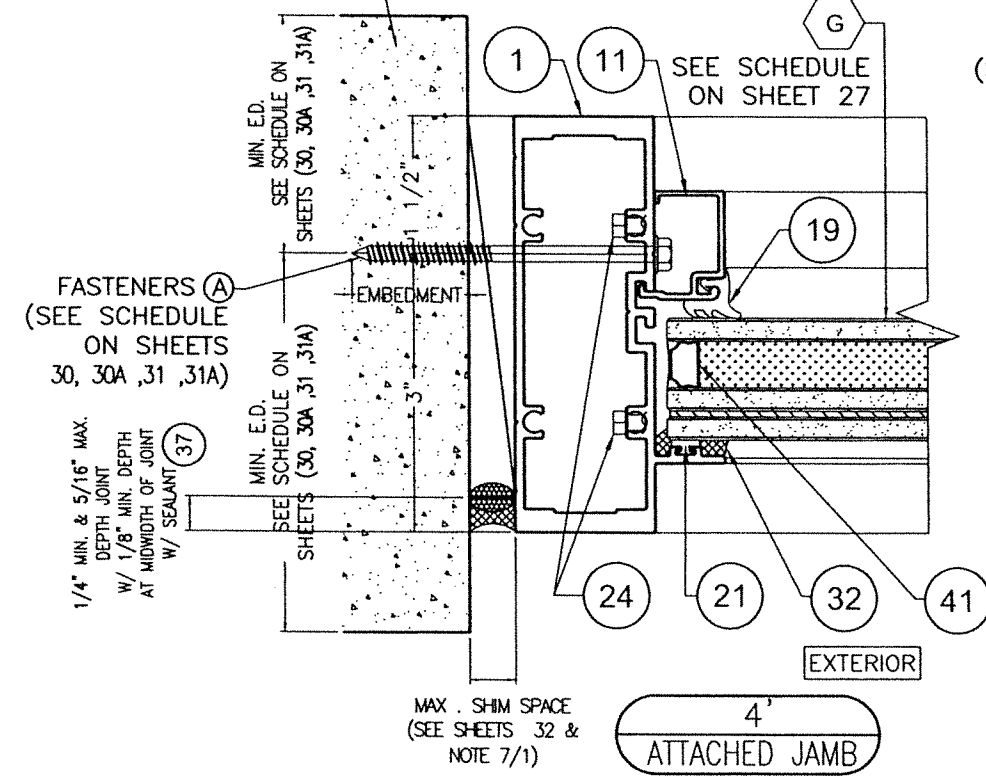
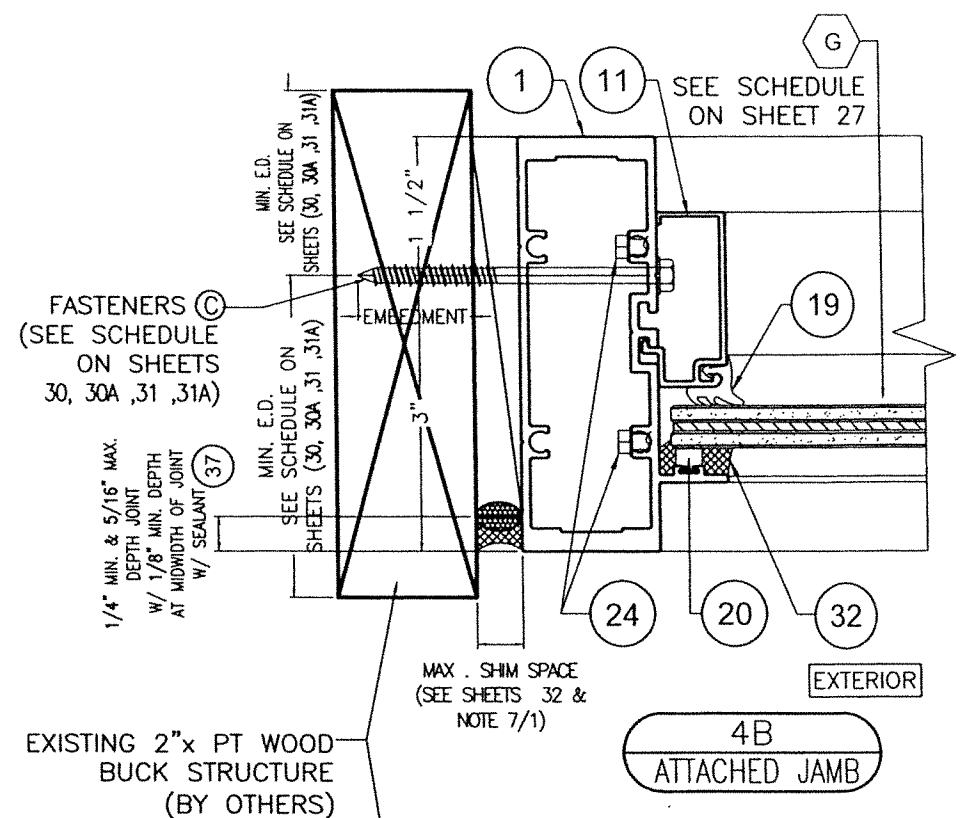
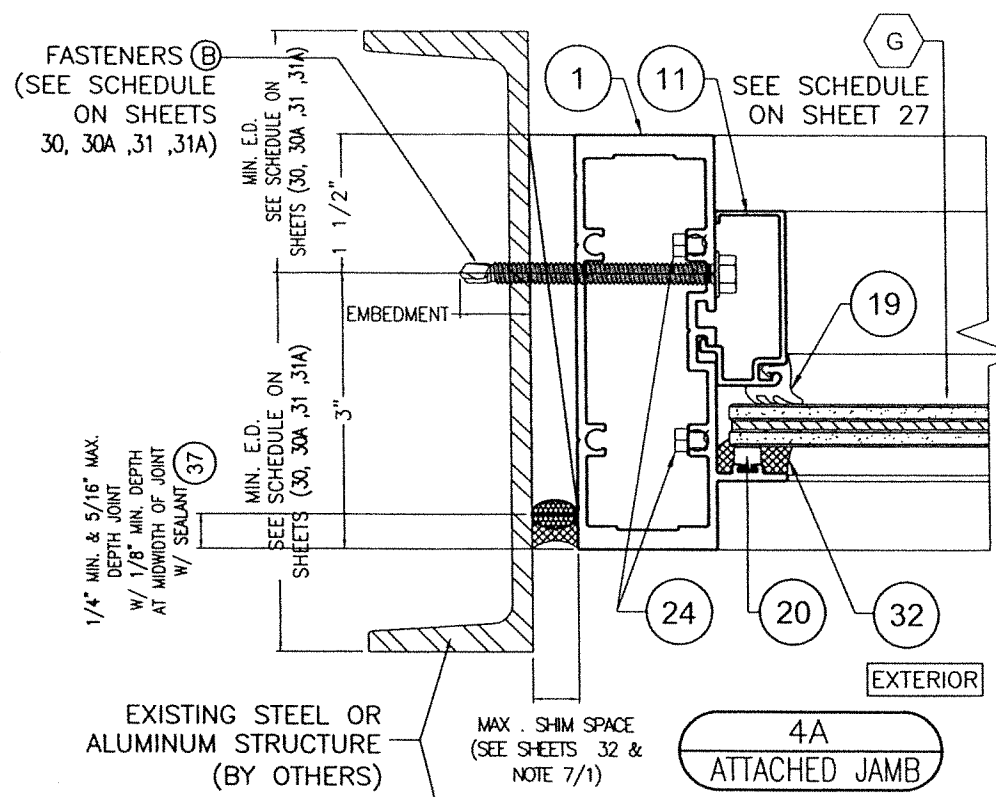
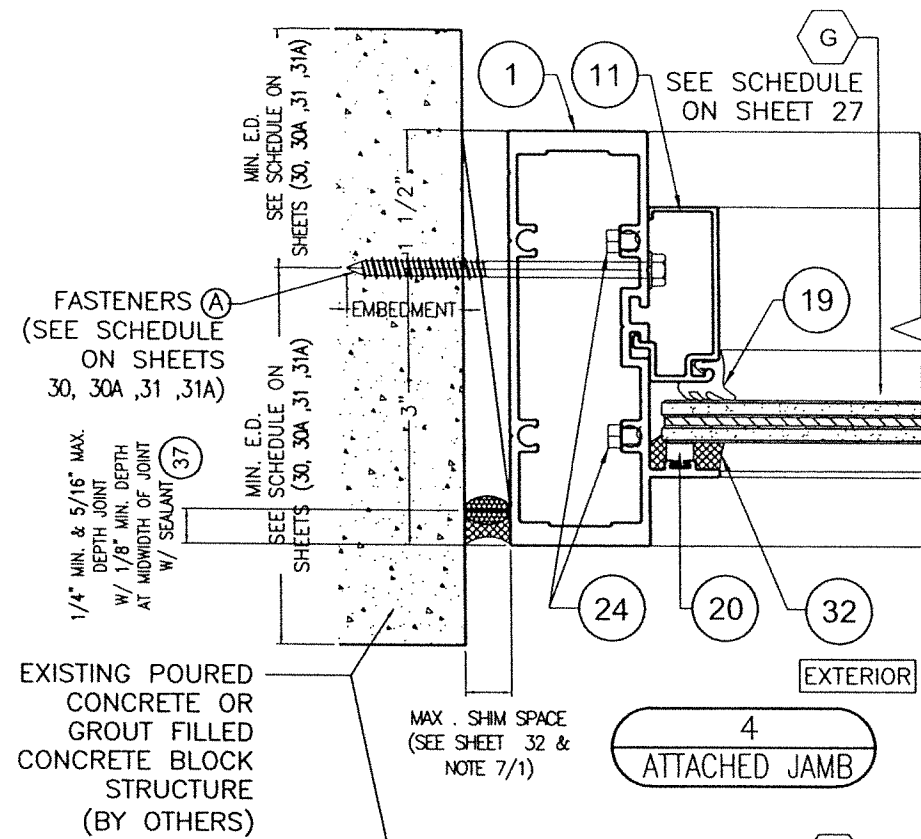
HIGH IMPACT SERIES JAZS 70,000 STOREFRONT SYSTEM W/
LARGE & SMALL MISSILE LAMINATED & INSULATED GLASS

W.H
DRAWN BY:

08/30/2023
DATE

23-204
DRAWING No

| REV. No | DESCRIPTION | DATE | REV. No | DESCRIPTION | DATE |
|---------|-------------|----------|---------|-------------|------|
| 1 | OLD 20-276 | 08/30/23 | 2 | - | - |



OPTIONAL SYSTEM #2

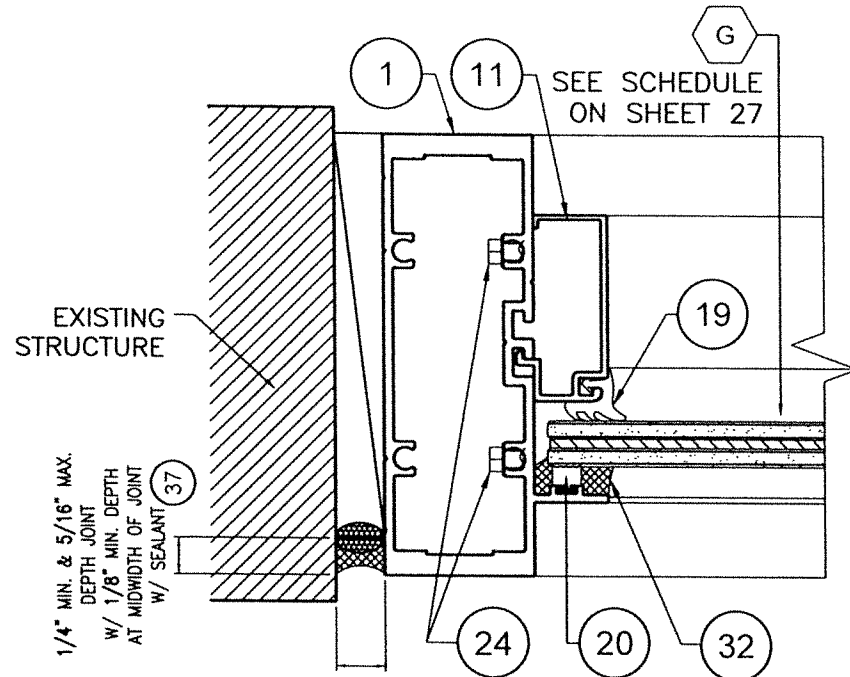
WALTER A. TILLIT JR.
LICENSE
No. 44167
STATE OF FLORIDA
PROFESSIONAL ENGINEER
1/8/2023
P.E. SEAL/SIGNATURE/DATE

FLORIDA BUILDING CODE (High & Non High Velocity Hurricane Zone)

© 2023 TILTECO INC.
TILTECO INC.
TILLIT TESTING & ENGINEERING COMPANY
6355 N.W. 36th. St., Ste. 305 - VIRGINIA GARDENS, FL 33166
Phone : (305) 871-1530 . Fax : (305) 871-1531
e-mail: tilteco@aol.com
CA-0006719
WALTER A. TILLIT Jr., P.E.
FLORIDA Lic. # 44167

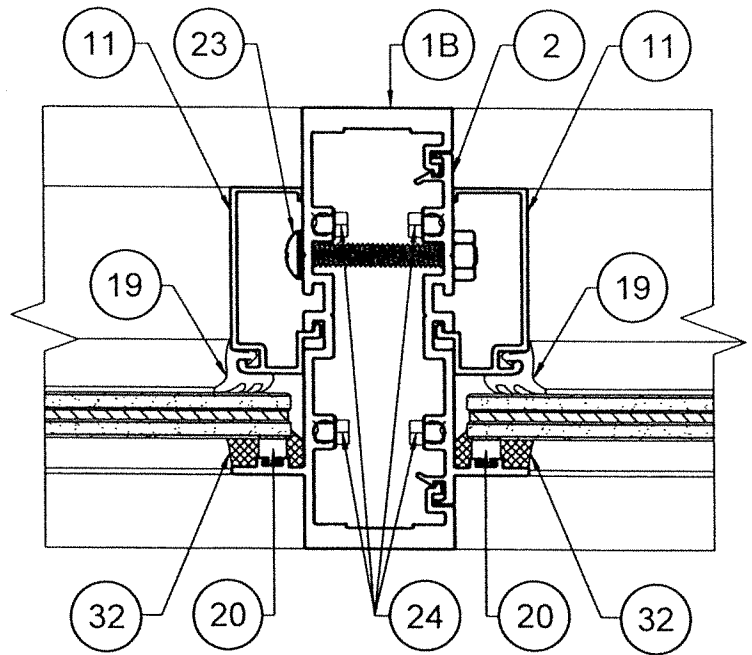
| | | | | | |
|---|-------------|----------|----------------------|-------------|------|
| HIGH IMPACT SERIES JAZZ 70.000 STOREFRONT SYSTEM W/ LARGE & SMALL MISSILE LAMINATED & INSULATED GLASS | | | W.H DRAWN BY: | | |
| <p>290 WEST 78 ROAD HIALEAH, FL 33014 PH: (954)226-5555/(305)558-8103 FAX: (305)558-6665 www.gigwindows.com</p> | | | 08/30/2023 DATE | | |
| | | | 23-204 DRAWING No | | |
| REV. No | DESCRIPTION | DATE | REV. No | DESCRIPTION | DATE |
| 1 | OLD 20-278 | 08/30/23 | 2 | - | - |

SHEET 38 OF 43

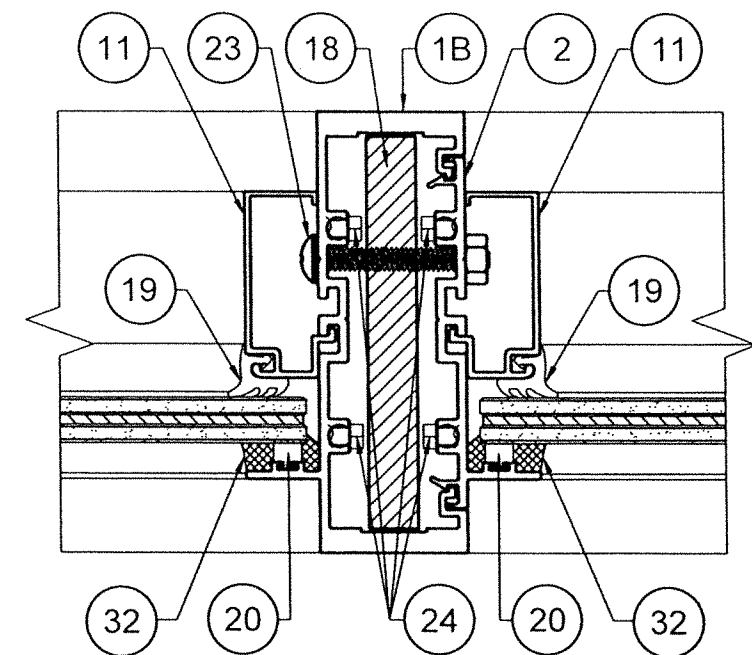


* 3/8" MIN. & 5/8" MAX. WIDE JOINT W/ SEALANT (37)

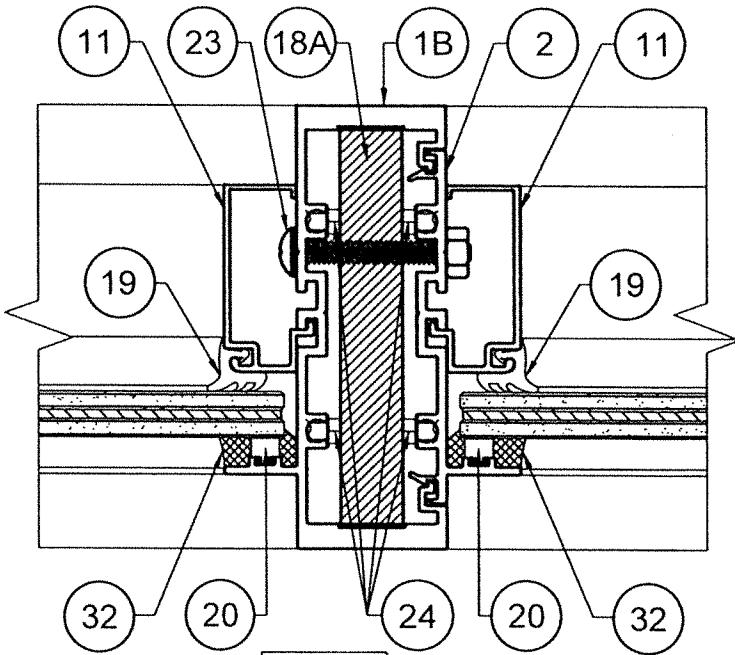
EXTERIOR
4C
FREE JAMB MULLION



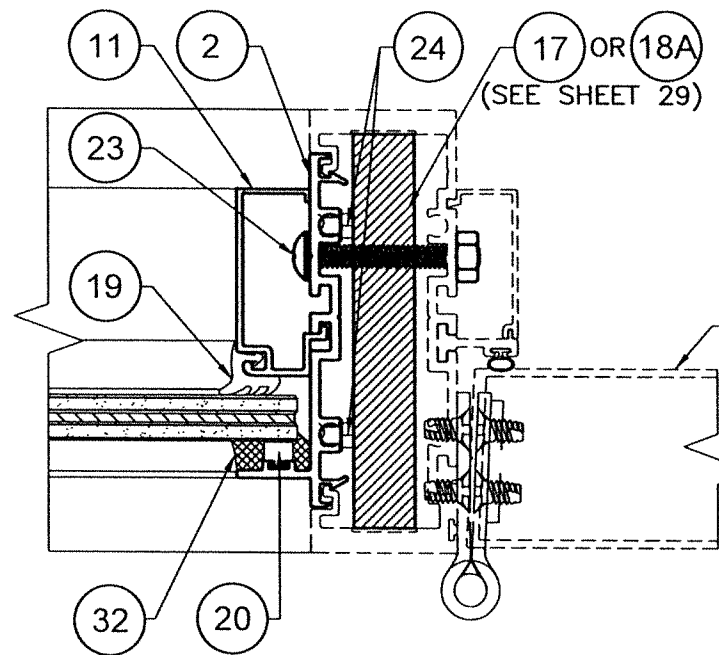
EXTERIOR
5
UNREINFORCED INTERIOR MULLION



EXTERIOR
5A
REINFORCED INTERIOR MULLION



EXTERIOR
5B
REINFORCED INTERIOR MULLION



EXTERIOR
5C
REINFORCED DOOR JAMB MULLION

* NOTE: INDICATED MAXIMUM AND MINIMUM VALUES FOR SPECIFIED SEALANT VERTICAL JOINT WIDTH AT JAMBS CONNECTED & NOT CONNECTED TO WALL (FREE STANDING) HAVE BEEN DETERMINED ONLY TAKING INTO CONSIDERATION THE ACTUAL MOVEMENT OF GLASS WALL AT JAMBS DUE TO THERMAL, WIND AND ITS OWN CONSTRUCTION TOLERANCE, AND NOT PERFORMANCE FACTORS FROM THE SURROUNDING STRUCTURE.

OPTIONAL SYSTEM #2

WALTER A. TILLIT JR.
LICENSE
No. 44167
STATE OF FLORIDA
PROFESSIONAL ENGINEER
8/10/2023
P.E. SEAL/SIGNATURE/DATE

FLORIDA BUILDING CODE (High & Non High Velocity Hurricane Zone)

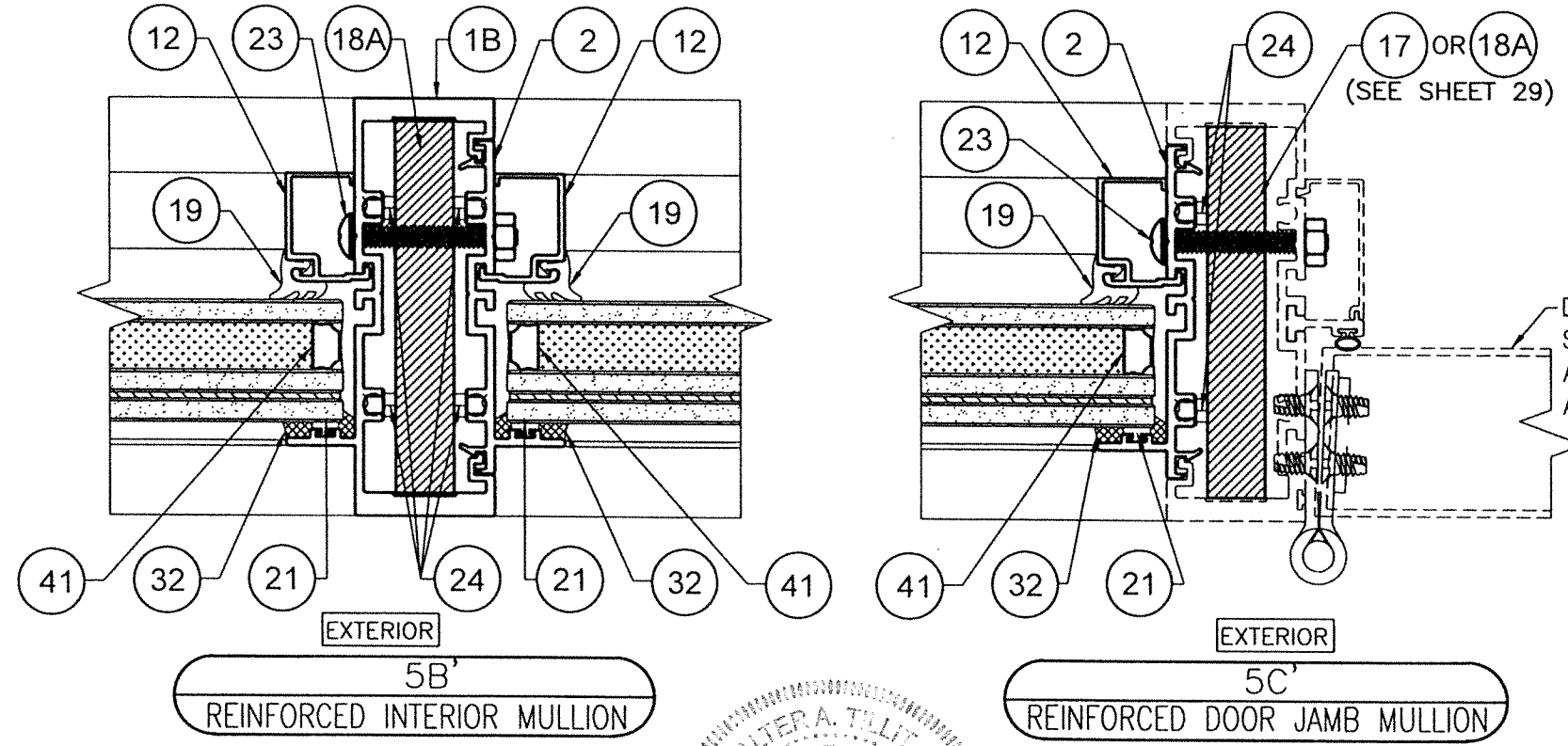
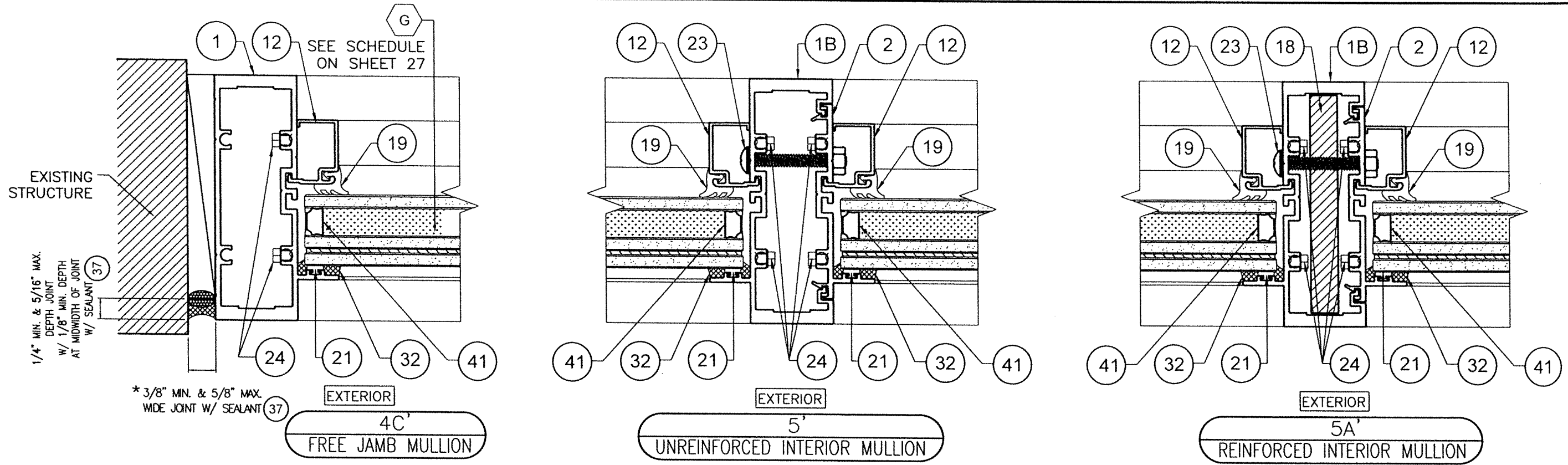
© 2023 TILTECO INC.
TILTECO INC.
TILLIT TESTING & ENGINEERING COMPANY
6355 N.W. 36th. St., Ste. 305 - VIRGINIA GARDENS, FL 33168
Phone : (305) 871-1530 , Fax : (305) 871-1531
e-mail: tilteco@aol.com
CA-0006719
WALTER A. TILLIT Jr., P.E.
FLORIDA Lic. # 44167

HIGH IMPACT SERIES JAZZ 70,000 STOREFRONT SYSTEM W/ LARGE & SMALL MISSILE LAMINATED & INSULATED GLASS

290 WEST 78 ROAD
HIALEAH, FL 33014
PH: (954)226-5555/(305)558-8103
FAX: (305)558-6665
www.gigwindows.com

| REV. No | DESCRIPTION | DATE | REV. No | DESCRIPTION | DATE |
|---------|-------------|----------|---------|-------------|------|
| 1 | OLD 20-278 | 08/30/23 | 2 | - | - |

W.H
DRAWN BY:
08/30/2023
DATE
23-204
DRAWING No
SHEET 39 OF 43



* NOTE: INDICATED MAXIMUM AND MINIMUM VALUES FOR SPECIFIED SEALANT VERTICAL JOINT WIDTH AT JAMBS CONNECTED & NOT CONNECTED TO WALL (FREE STANDING) HAVE BEEN DETERMINED ONLY TAKING INTO CONSIDERATION THE ACTUAL MOVEMENT OF GLASS WALL AT JAMBS DUE TO THERMAL, WIND AND ITS OWN CONSTRUCTION TOLERANCE, AND NOT PERFORMANCE FACTORS FROM THE SURROUNDING STRUCTURE.

OPTIONAL SYSTEM #2

WALTER A. TILLIT JR.
LICENSE
No. 44167
STATE OF FLORIDA
PROFESSIONAL ENGINEER
P.E. SEAL/SIGNATURE/DATE

FLORIDA BUILDING CODE (High & Non High Velocity Hurricane Zone)

© 2023 TILTECO INC.

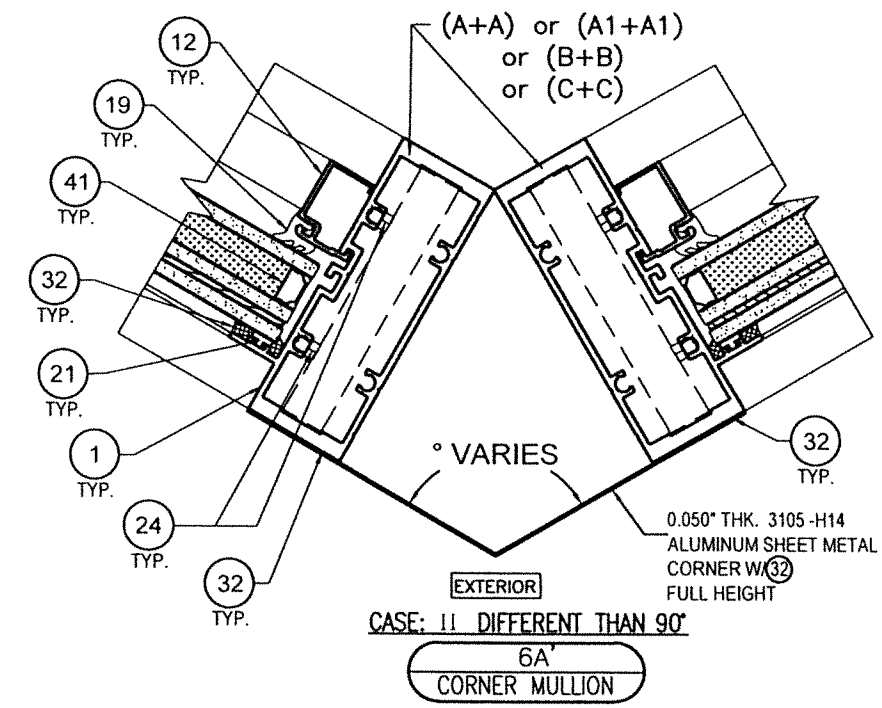
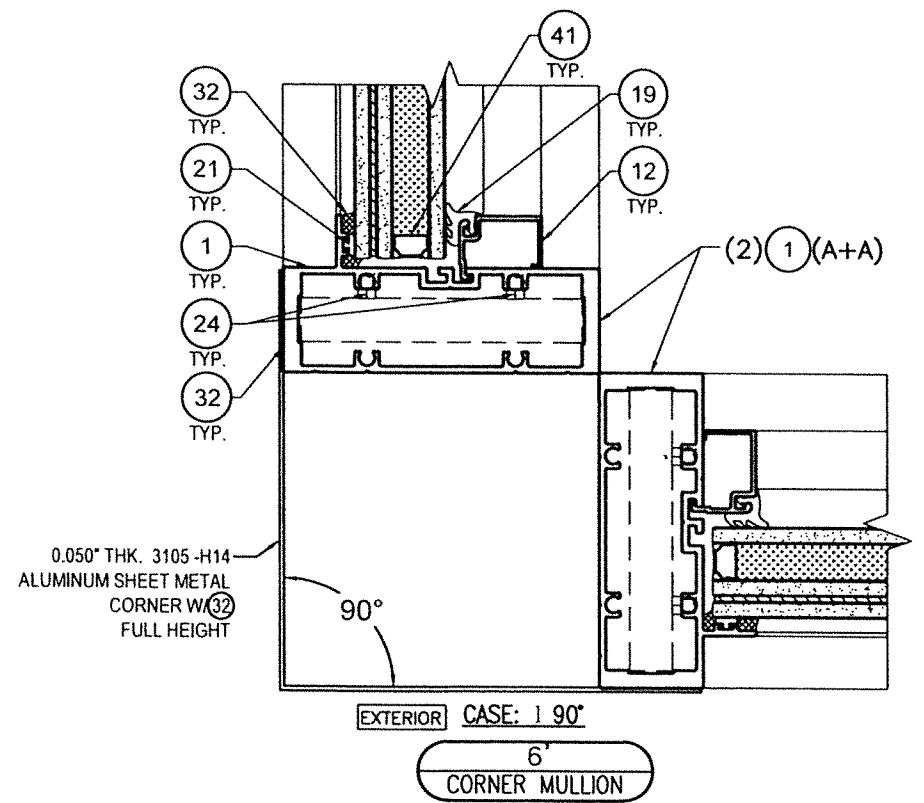
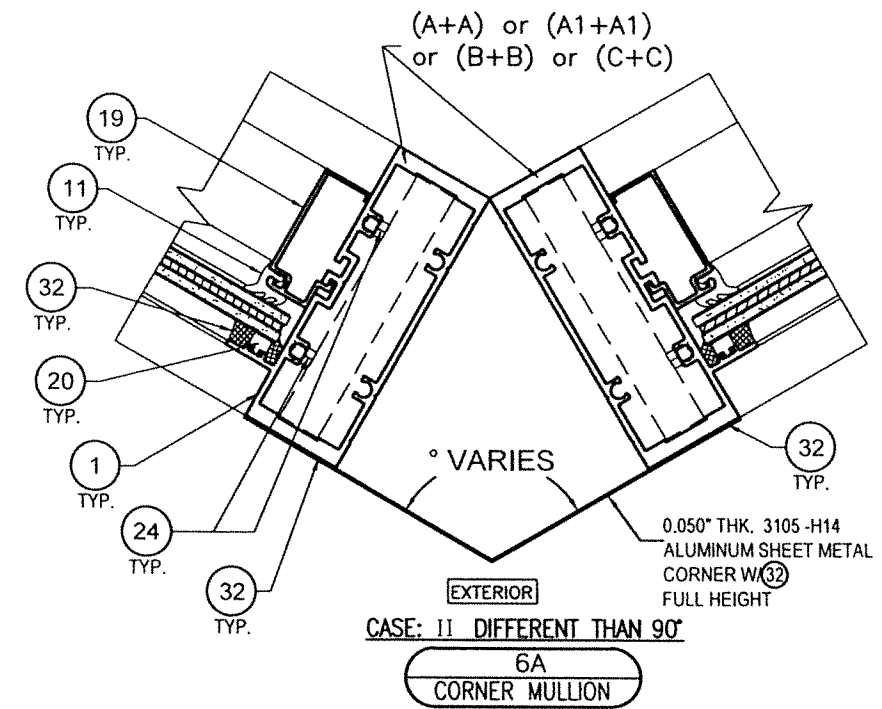
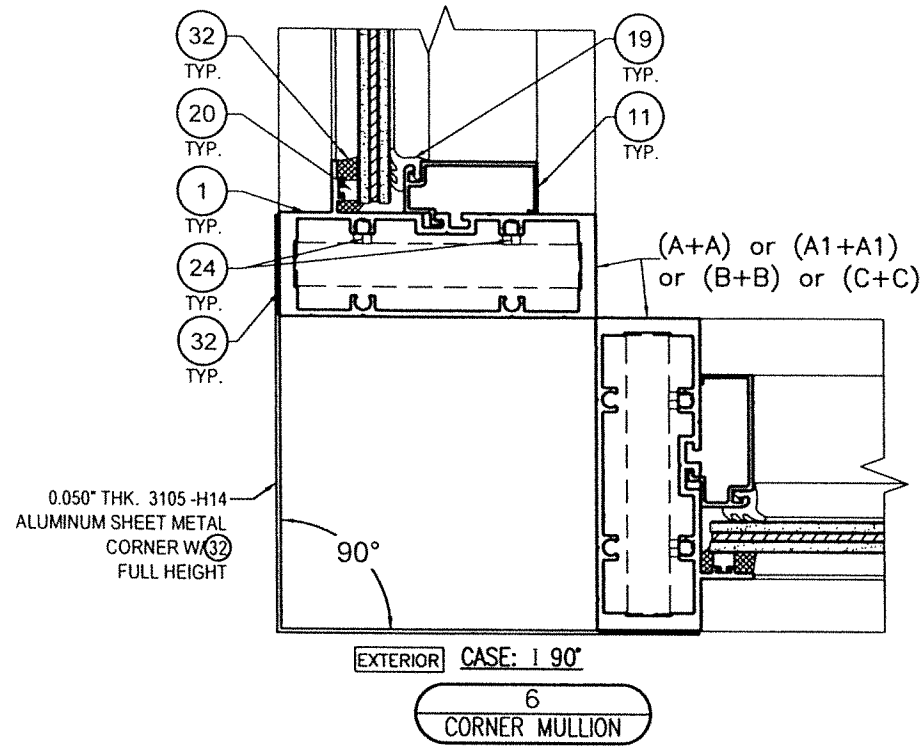
TILTECO INC.
TILLIT TESTING & ENGINEERING COMPANY
6355 N.W. 36th St., Ste. 305 - VIRGINIA GARDENS, FL 33166
Phone: (305) 871-1530, Fax: (305) 871-1531
e-mail: tilteco@aol.com
CA-0006719
WALTER A. TILLIT Jr., P.E.
FLORIDA Lic. # 44167

HIGH IMPACT SERIES JAZZ 70.000 STOREFRONT SYSTEM W/ LARGE & SMALL MISSILE LAMINATED & INSULATED GLASS

W.H. DRAWN BY:
08/30/2023 DATE
23-204 DRAWING No
SHEET 40 OF 43

290 WEST 78 ROAD
HIALEAH, FL 33014
PH: (954)226-5555/(305)558-8103
FAX: (305)558-6865
www.gigwindows.com

| REV. No | DESCRIPTION | DATE | REV. No | DESCRIPTION | DATE |
|---------|-------------|----------|---------|-------------|------|
| 1 | OLD 20-278 | 08/30/23 | 2 | - | - |




OPTIONAL SYSTEM #2

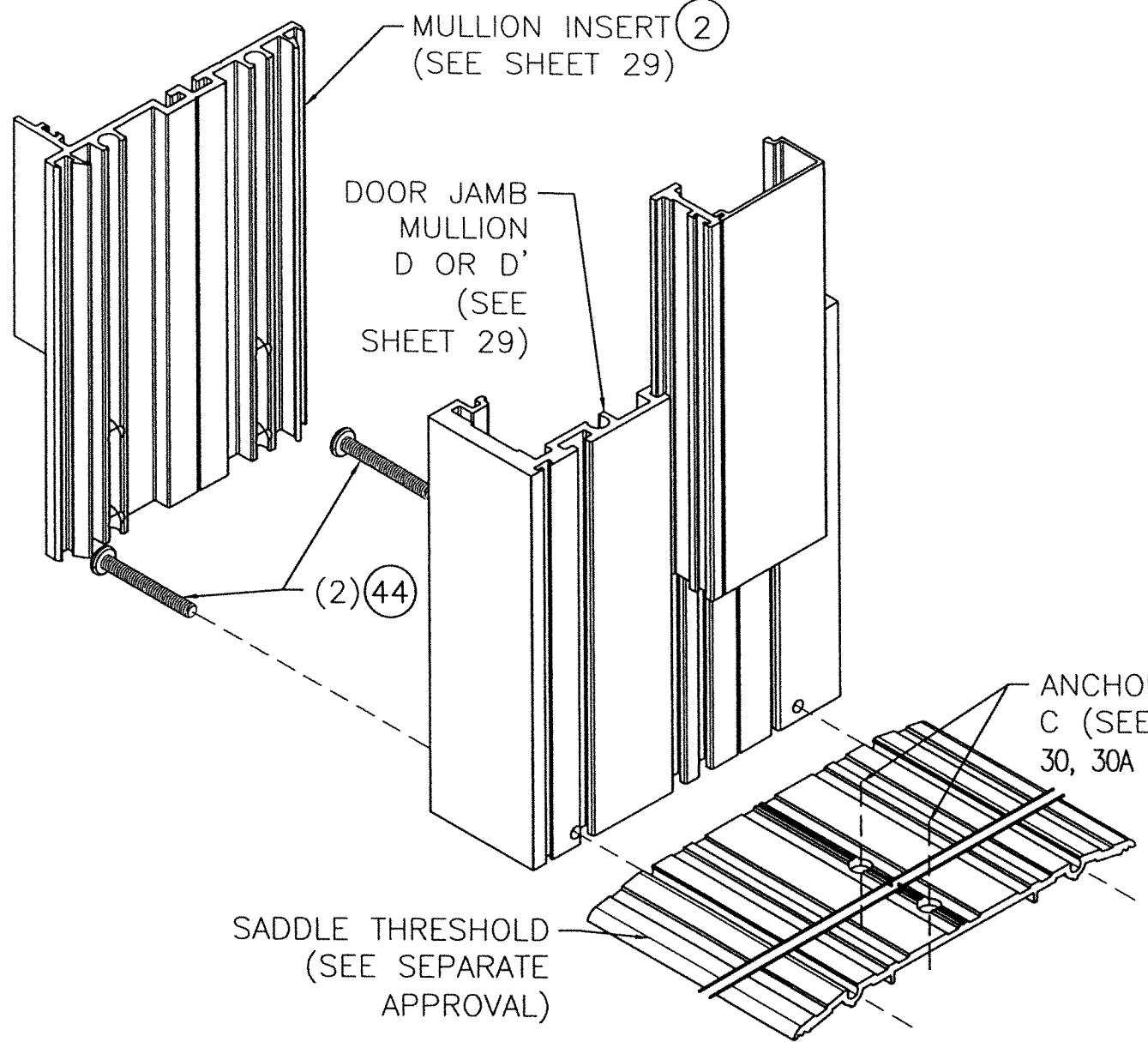
WALTER A. TILLIT JR.
LICENSE
No. 44167
STATE OF FLORIDA
PROFESSIONAL ENGINEER

[Signature]
11/2/2023
P.E. SEAL/SIGNATURE/DATE

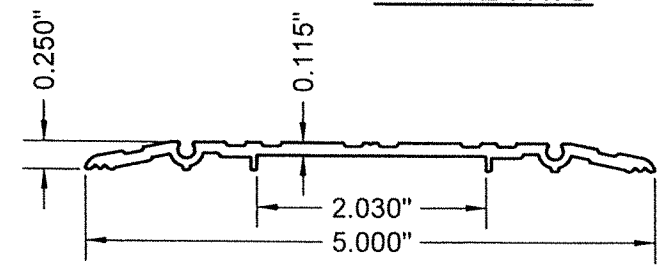
FLORIDA BUILDING CODE (High & Non High Velocity Hurricane Zone)

© 2023 TILTECO INC.
TILTECO INC.
TILLIT TESTING & ENGINEERING COMPANY
6355 N.W. 36th. St., Ste. 305 - VIRGINIA GARDENS, FL 33186
Phone : (305) 871-1530 . Fax : (305) 871-1531
e-mail: tilteco@aol.com
CA-0006719
WALTER A. TILLIT Jr., P.E.
FLORIDA Lic. # 44167

| | | |
|---|-------------|-----------------------------|
| HIGH IMPACT SERIES JAZS 70.000 STOREFRONT SYSTEM W/ LARGE & SMALL MISSILE LAMINATED & INSULATED GLASS | | W.H DRAWN BY: |
|  290 WEST 78 ROAD HIALEAH, FL 33014 PH: (954)226-5555/(305)558-8103 FAX: (305)558-6665 www.gigwindows.com | | 08/30/2023 DATE |
| | | 23-204 DRAWING No |
| REV. No | DESCRIPTION | DATE |
| 1 | OLD 20-276 | 08/30/23 |
| 2 | | |
| | | SHEET 41 OF 43 |

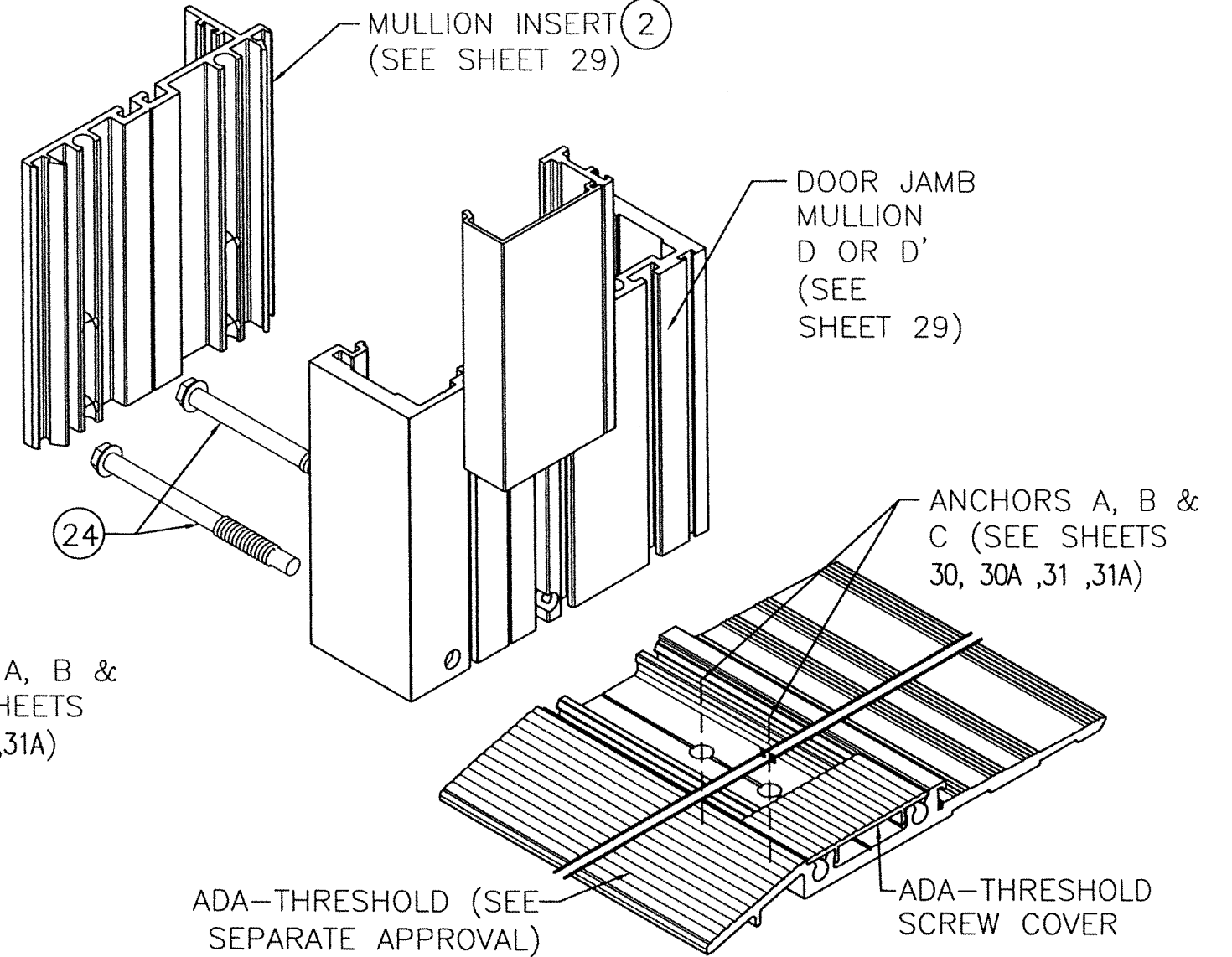


**SADDLE THRESHOLD ASSEMBLY
ISOMETRIC**

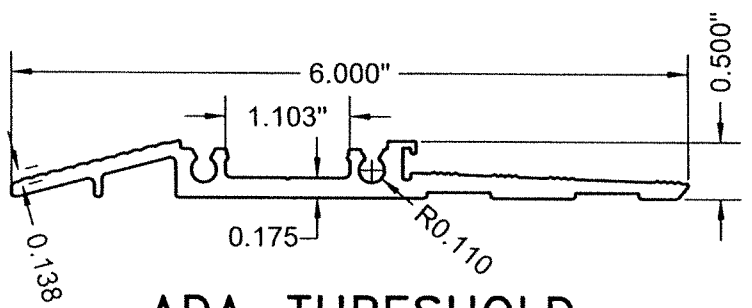


**SADDLE THRESHOLD
(SEE SEPARATE APPROVAL)
6063-T6 ALLOY**

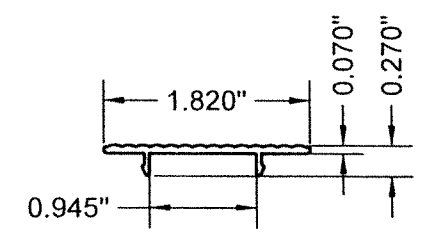
OPTIONAL SYSTEM #2



**THRESHOLD ASSEMBLY
(ISOMETRIC).**



**ADA-THRESHOLD
(SEE SEPARATE APPROVAL)
6063-T6 ALLOY**



**ADA-THRESHOLD SCREW COVER
6063-T6 ALLOY**

WALTER A. TILLET JR.
LICENSE
No. 44167
STATE OF FLORIDA
PROFESSIONAL ENGINEER
8/19/2023
P.E. SEAL/SIGNATURE/DATE

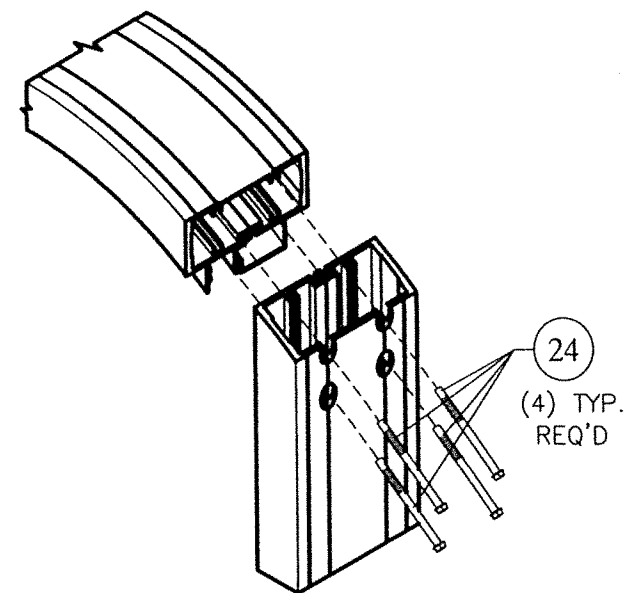
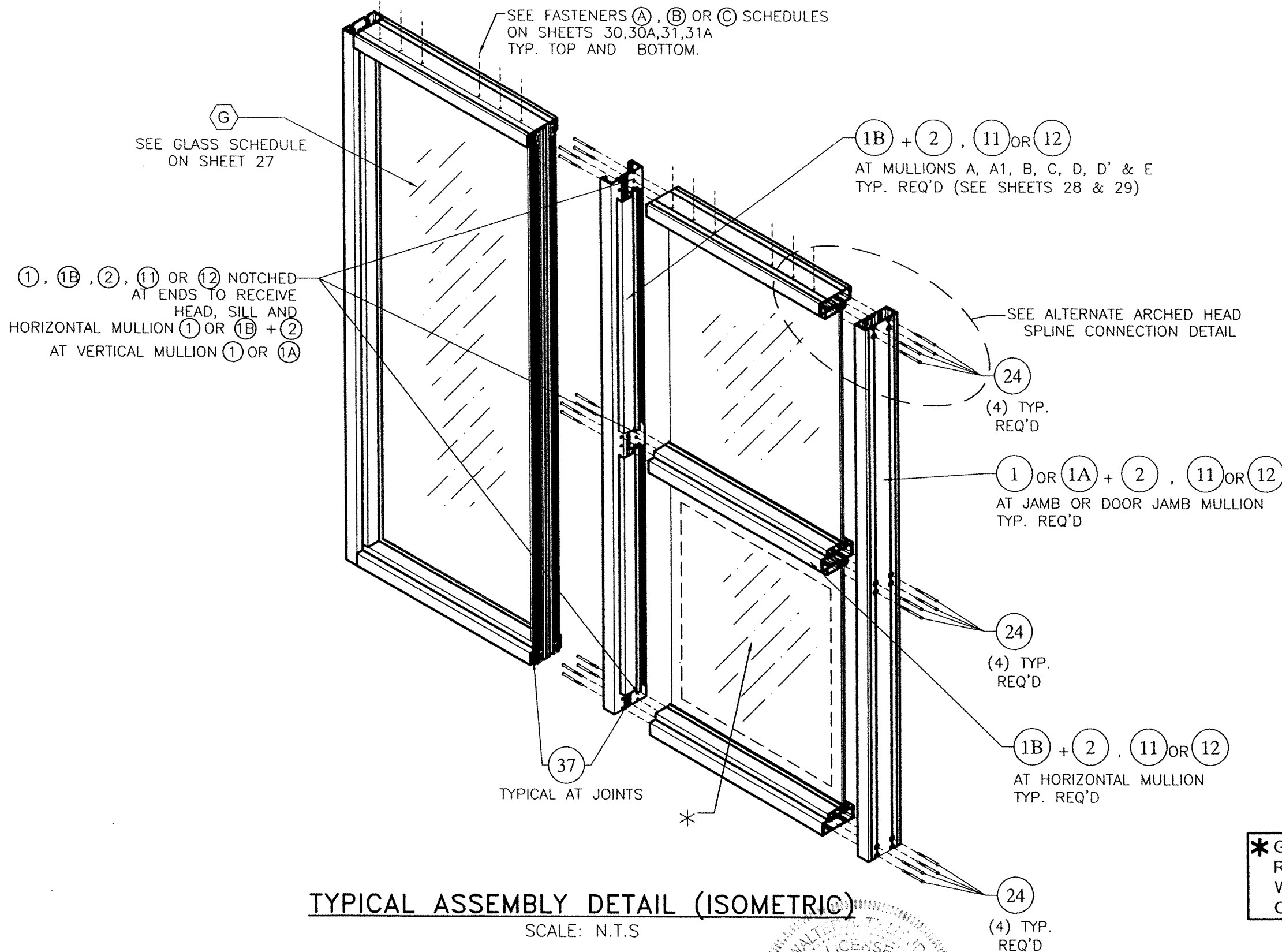
FLORIDA BUILDING CODE (High & Non High Velocity Hurricane Zone)

© 2023 TILTECO INC.
TILTECO INC.
TILLET TESTING & ENGINEERING COMPANY
8355 N.W. 36th. St., Ste. 305 - VIRGINIA GARDENS, FL 33166
Phone : (305) 871-1530 , Fax : (305) 871-1531
e-mail: tilteco@aol.com
CA-0006719
WALTER A. TILLET JR., P.E.
FLORIDA Lic. # 44167

HIGH IMPACT SERIES JAZZ 70,000 STOREFRONT SYSTEM W/ LARGE & SMALL MISSILE LAMINATED & INSULATED GLASS
W.H. DRAWN BY:
290 WEST 78 ROAD
HIALEAH, FL 33014
PH: (954)226-5555/(305)558-8103
FAX: (305)558-6665
www.gigwindows.com
GIG WINDOWS & DOORS

08/30/2023
DATE
23-204
DRAWING No

| REV. No | DESCRIPTION | DATE | REV. No | DESCRIPTION | DATE |
|---------|-------------|----------|---------|-------------|------|
| 1 | OLD 20-276 | 08/30/23 | 2 | - | - |



ARCHED HEAD SPLINE CONNECTION DETAIL
SCALE: N.T.S

TYPICAL ASSEMBLY DETAIL (ISOMETRIC)
SCALE: N.T.S

*** GLASS MAY BE REPLACED BY AN APPROVED IMPACT RESISTANT WINDOW OR DOOR. WINDOW OR DOOR ANCHORAGE SHALL BE AS PER ITS OWN APPROVAL**

OPTIONAL SYSTEM #2

WALTER A. TILLIT, P.E.
LICENSE No. 44167
STATE OF FLORIDA
PROFESSIONAL ENGINEER
Walter A. Tillit Jr.
9/19/2023
P.E. SEAL/SIGNATURE/DATE

© 2023 TILTECO INC.
TILTECO INC.
TILLIT TESTING & ENGINEERING COMPANY
6355 N.W. 36th St., Ste. 305 - VIRGINIA GARDENS, FL 33166
Phone : (305) 871-1530 , Fax : (305) 871-1531
e-mail: tilteco@aol.com
CA-0006719
WALTER A. TILLIT Jr., P.E.
FLORIDA Lic. # 44167

FLORIDA BUILDING CODE (High & Non High Velocity Hurricane Zone)

| HIGH IMPACT SERIES JAZZ 70.000 STOREFRONT SYSTEM W/ LARGE & SMALL MISSILE LAMINATED & INSULATED GLASS | | | W.H DRAWN BY: | | |
|---|-------------|----------|--|-------------|------|
| | | | 290 WEST 78 ROAD HIALEAH, FL 33014 PH: (954)226-5555/(305)558-8103 FAX: (305)558-6665 www.gigwindows.com | | |
| | | | 08/30/2023 DATE | | |
| 23-204 DRAWING No | | | SHEET 43 OF 43 | | |
| REV. No | DESCRIPTION | DATE | REV. No | DESCRIPTION | DATE |
| 1 | OLD 20-278 | 08/30/23 | 2 | - | - |