



Product Approval
USER: Public User

[Product Approval Menu](#) > [Product or Application Search](#) > [Application List](#) > **Application Detail**

OFFICE OF THE SECRETARY

FL #	FL42322-R1												
Application Type	Revision												
Code Version	2023												
Application Status	Approved												
Comments													
Archived	<input type="checkbox"/>												
Product Manufacturer	GIG Windows & Doors												
Address/Phone/Email	290 W 78 Road Hialeah, FL 33014 (305) 558-8103 tony@generalimpact.com												
Authorized Signature	Jose Zuniga tony@generalimpact.com												
Technical Representative													
Address/Phone/Email													
Quality Assurance Representative													
Address/Phone/Email													
Category	Exterior Doors												
Subcategory	Swinging Exterior Door Assemblies												
Compliance Method	Evaluation Report from a Florida Registered Architect or a Licensed Florida Professional Engineer <input type="checkbox"/> Evaluation Report - Hardcopy Received												
Florida Engineer or Architect Name who developed the Evaluation Report	Walter A. Tillit Jr., P.E.												
Florida License	PE-44167												
Quality Assurance Entity	National Accreditation and Management Institute												
Quality Assurance Contract Expiration Date	12/31/2026												
Validated By	John W. Knezevich, PE <input checked="" type="checkbox"/> Validation Checklist - Hardcopy Received												
Certificate of Independence	FL42322_R1_COI_COI_Drwg_23-209_GIG_Windows_Doors.pdf												
Referenced Standard and Year (of Standard)	<table border="0"> <thead> <tr> <th>Standard</th> <th>Year</th> </tr> </thead> <tbody> <tr> <td>AAMA 501</td> <td>2015</td> </tr> <tr> <td>ASTM E1300</td> <td>2009</td> </tr> <tr> <td>TAS 201</td> <td>1994</td> </tr> <tr> <td>TAS 202</td> <td>1994</td> </tr> <tr> <td>TAS 203</td> <td>1994</td> </tr> </tbody> </table>	Standard	Year	AAMA 501	2015	ASTM E1300	2009	TAS 201	1994	TAS 202	1994	TAS 203	1994
Standard	Year												
AAMA 501	2015												
ASTM E1300	2009												
TAS 201	1994												
TAS 202	1994												
TAS 203	1994												
Equivalence of Product Standards Certified By													
Sections from the Code													

Product Approval Method

Method 1 Option D

Date Submitted

10/17/2023

Date Validated

10/17/2023

Date Pending FBC Approval

10/21/2023

Date Approved

12/13/2023

Summary of Products

FL #	Model, Number or Name	Description
42322.1	Series 24000 LMSZ Impact Resistant Outswing French Door with Transom or Sidelites	Door, Sidelite and Transom System made of Wet Glazed Laminated or Insulated Glass assembled with aluminum frame and hardware.
Limits of Use Approved for use in HVHZ: Yes Approved for use outside HVHZ: Yes Impact Resistant: Yes Design Pressure: +varies/-varies Other: ASD Pressure Rating varies; see schedules on installation drawings. See General Notes No. 1, 4, and 5 on sheet 1 of installation drawing no. 23-209 for limitations (System #1 & #2)		Installation Instructions FL42322_R1_II_PED_Drwg_23-209_GIG_Windows_Doors.pdf Verified By: Walter A. Tillit Jr., P.E. PE 44167 Created by Independent Third Party: Yes Evaluation Reports FL42322_R1_AE_PER_Drwg_23-209_GIG_Windows_Doors.pdf Created by Independent Third Party: Yes

[Back](#)

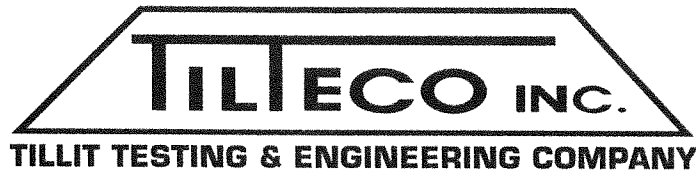
[Next](#)

Contact Us :: [2601 Blair Stone Road, Tallahassee FL 32399](#) Phone: 850-487-1824

The State of Florida is an AA/EEO employer. [Copyright 2007-2013 State of Florida.](#) :: [Privacy Statement](#) :: [Accessibility Statement](#) :: [Refund Statement](#)

Under Florida law, email addresses are public records. If you do not want your e-mail address released in response to a public-records request, do not send electronic mail to this entity. Instead, contact the office by phone or by traditional mail. If you have any questions, please contact 850.487.1395. *Pursuant to Section 455.275(1), Florida Statutes, effective October 1, 2012, licensees licensed under Chapter 455, F.S. must provide the Department with an email address if they have one. The emails provided may be used for official communication with the licensee. However email addresses are public record. If you do not wish to supply a personal address, please provide the Department with an email address which can be made available to the public. To determine if you are a licensee under Chapter 455, F.S., please click [here](#).





WALTER A. TILLIT, JR., P.E.

tilteco@aol.com
FL P.E. License No. 44167
FL C.A. License No. 0006719

CERTIFICATION OF INDEPENDENCE

Evaluation Report #: 23-0919.10

Date: September 19, 2023

Product Category: Exterior Doors

Product Subcategory: Swinging Exterior Door Assemblies

Product Name: **SERIES 24000 LMSZ IMPACT RESISTANT
OUTSWING FRENCH DOOR WITH
TRANSOM OR WITH SIDE LITES**

Manufacturer Name: **GIG WINDOWS & DOORS**
290 West 78 Road
Hialeah, FL 33014

Dear Sir (Madam):

This is to certify that this Florida Professional Engineer, performing this evaluation does not have nor will acquire, a financial interest in any company manufacturing or distributing products for which the reports are being issued.

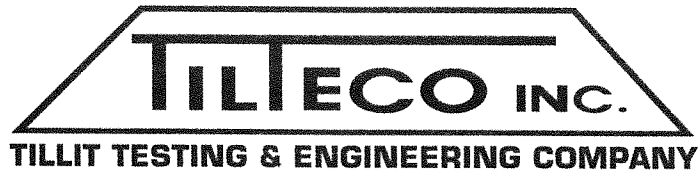
This is also to certify that this Florida Professional Engineer performing this evaluation does not have, nor will acquire, a financial interest in any other entity involved in the approval process of the product.

Certificate of Independence prepared by Walter A. Tillit, Jr., P.E. (Florida License No. 44167), President of Tilteco, Inc. (Florida CA-0006719).

The image shows a handwritten signature in black ink, which appears to be 'WATMA', written over a horizontal line. To the right of the signature is a circular professional seal. The seal contains the text 'WALTER A. TILLIT, JR.', 'LICENSE No. 44167', 'STATE OF FLORIDA', and 'PROFESSIONAL ENGINEER' around the perimeter, with a star in the center.

WATMA

D:\TILTECO ADMIN RECORDS \ CERTIFICATION OF INDEPENDENCE \ GIG WINDOWS & DOORS \ SERIES 24000 LMSZ IMPACT RESISTANT OUTSWING FRENCH DOOR WITH TRANSOM OR WITH SIDE LITES \ EVALUATION REPORT # 23-0919.10



WALTER A. TILLIT, JR., P.E.

PRODUCT EVALUATION REPORT

tilteco@aol.com
FL P.E. License No. 44167
FL C.A. License No. 0006719

REPORT No.: 23-0919.10

DATE: September 19, 2023

PRODUCT CATEGORY: Exterior Doors

PRODUCT SUB-CATEGORY: Swinging Exterior Door Assemblies

PRODUCT NAME: **SERIES 24000 LMSZ IMPACT RESISTANT
OUTSWING FRENCH DOOR WITH TRANSOM
OR WITH SIDELITES**

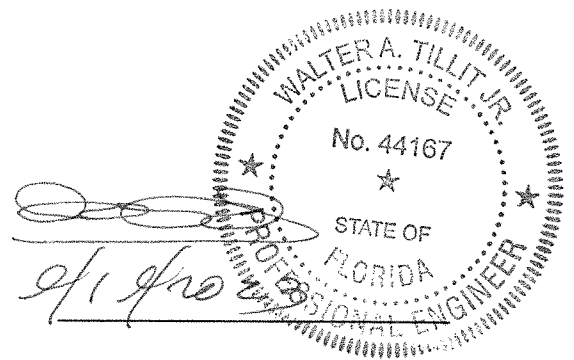
MANUFACTURER: **GIG WINDOWS & DOORS.**
290 West 78 Road
Hialeah, FL 33014

1. PURPOSE OF EVALUATION:

This is a Product Evaluation Report issued by **Walter A. Tillit, Jr., P.E.** (System ID # 1906) to **GIG WINDOWS & DOORS** based on **Rule Chapter No. 61G20-3, Method 1D of the Florida Department of Business and Professional Regulation.**

This product is being issued an Evaluation Report as described herein and has been verified for compliance in accordance with the 2023 8th Edition of the Florida Building Code, and to verify that the product is for the purpose intended at least equivalent to that required by the Code.

This Product Evaluation Report shall be subject to review and revision in case of a Building Code Change that may affect its limitations and conditions.



2. EVIDENCE SUBMITTED:

2.1. PRODUCT EVALUATION DOCUMENT (P.E.D.):

Drawing No. 23-209, titled “**SERIES 24000 LMSZ IMPACT RESISTANT OUTSWING FRENCH DOOR WITH TRANSOM OR WITH SIDELITES**” sheets 1 thru 24 of 24 prepared by **Tilteco, Inc.**; signed and sealed by **Walter A. Tillit, Jr., P.E.**; dated **8/7/2023** This drawing is an integral part of this Evaluation Report.

2.2. TEST REPORTS:

Impact and Cyclic Tests as per protocol TAS-201 and TAS-203, and Uniform Static Load as per Protocol TAS 202 per sections 1626 and 1609.1.2 of the Florida Building Code, as well as AAMA 501, per section 2411.3.2.1. of the Florida Building Code.

Test Reports prepared by Fenestration Testing Laboratory Report #8131 signed and sealed by Ms. Dalmis Ortega, P.E.

2.3. STRUCTURAL ENGINEERING CALCULATIONS:

On “**SERIES 24000 LMSZ IMPACT RESISTANT OUTSWING FRENCH DOOR WITH TRANSOM OR WITH SIDELITES**” for Maximum Pressure Rating vs. Maximum anchor spacing, maximum Door’s Sidelite Panel and Transom Panel width and height, and Maximum Glass Size, based on rational and comparative analysis, and in accordance with sections 1604 and 1616 of the Florida Building Code. Calculations prepared by Tilteco, Inc., dated 06/17/2019 and 09/25/2020, signed and sealed by Walter A. Tillit, Jr., P.E. Glass verified per ASTM E-1300-9a per section 2404.1 of the Florida Building Code.

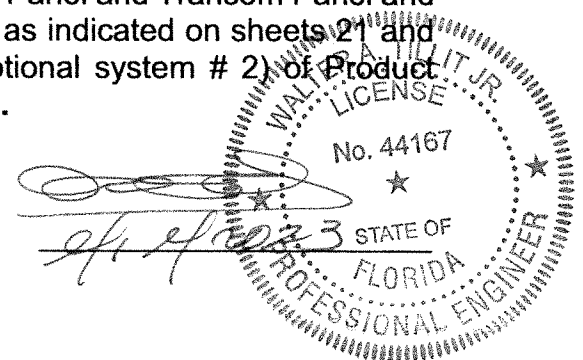
3. MISSILE IMPACT RESISTANCE:

Large Missile Impact resistance is provided per TAS 201 (9 lbs., 50 feet/sec, 2” x 4”, Large Missile)

4. WIND LOADS RESISTANCE:

“**SERIES 24000 LMSZ IMPACT RESISTANT OUTSWING FRENCH DOOR WITH TRANSOM OR WITH SIDELITES**” has been verified to sustain wind pressures. Maximum Glass Panel Dimensions, maximum Door Sidelite Panel and Transom Panel width and heights shall be as indicated on sheets 21 (for optional system #1) and # 3 (for optional system # 2) of Product Evaluation Document (P.E.D.), Drawing No. 23-209.

Maximum Design Pressure Rating for Door, Sidelite Panel and Transom Panel and their connections for applicable substrates shall be as indicated on sheets 21 and 22, (for optional system # 1) and 43 & 44 (for optional system # 2) of Product Evaluation Document (P.E.D.), Drawing No. 23-209.



5. INSTALLATION:

Installation shall be performed strictly in accordance with General Notes 1, 4, 5, 8, 10, 11, 12, 13 and 14, indicated on sheet 1, and details indicated on sheets 5 thru 19, 22, 23 and 24, (for optional system # 1), and 27 thru 4, (for optional system # 2) of Product Evaluation Document (P.E.D.), drawing No. **23-209**.

Gaskets and setting blocks used at installations comply with section 2411.3.4 of the Florida Building Code as specified on Bill of Materials (components 24, 25, 34) on Sheet 3 and 25 of Product Evaluation Document (P.E.D.), drawing No. **23-209**.

6. MATERIAL CHARACTERISTICS AND SPECIFICATIONS:

Shall be strictly in accordance with General Notes and Components indicated on sheets 1 thru 4 (for optional system #1) and sheet 25 thru 27 (for optional system # 2) of Product Evaluation Document (P.E.D.), Drawing No. **23-209**.

Anchor specifications shall be as indicated on sheet 1, of Product Evaluation Document (P.E.D.), Drawing No. **23-209**.

7. LIMITATIONS AND CONDITIONS OF USE:

7.1. Shall be strictly in compliance with General Notes No. 1 thru 5, indicated on sheet 1 of Product Evaluation Document (P.E.D.), Drawing No. **23-209** prepared by Tilteco, Inc. and signed and sealed by Walter A. Tillit, Jr., P.E.

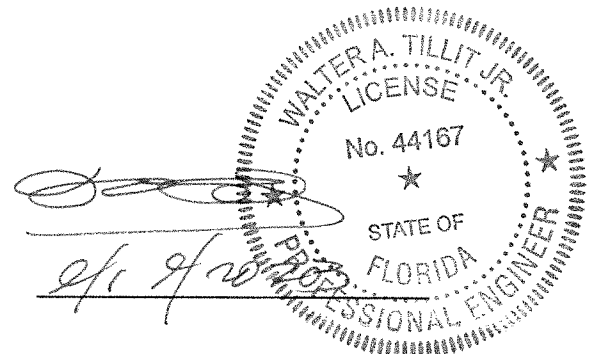
7.2. Product **may** be installed within HIGH VELOCITY HURRICANE ZONES as defined on section 202 of the Florida Building Code or out of it.

7.3. Product shall only be installed into poured concrete, concrete block, Aluminum, Steel and wood structures with limitations indicated on sheet 1, note 9 of Product Evaluation Document (P.E.D.), Drawing No. **23-209**.

Product Evaluation Report prepared by Walter A. Tillit, Jr., P.E. (Florida License No. 44167), President of Tilteco, Inc. (Florida CA-0006719).

WAT\ma

D:\TILTECO ADMIN RECORDS \ P. E. REPORT.23 \ GIG WINDOWS & DOORS \ SERIES 24000 LMSZ IMPACT RESISTANT OUTSWING FRENCH DOOR WITH TRANSOM OR WITH SIDELITES \ DRWG # 23-209 \ REPORT # 23-0919.10



GENERAL NOTES:

1. SERIES 24000 LMSZ IMPACT RESISTANT OUTSWING FRENCH DOOR W/ TRANSOM OR SIDELITES, SHOWN ON THIS PRODUCT EVALUATION DOCUMENT (P.E.D.) HAS BEEN VERIFIED FOR COMPLIANCE IN ACCORDANCE WITH THE 2023 (8th EDITION) OF THE FLORIDA BUILDING CODE. SERIES 24000 LMSZ IMPACT RESISTANT OUTSWING FRENCH DOOR W/TRANSOM OR SIDELITES MAY BE INSTALLED AT HIGH VELOCITY HURRICANE ZONES (H.V.H.Z) OR OUT OF IT (N.H.V.H.Z).

DESIGN WIND LOADS SHALL BE DETERMINED AS PER SECTIONS 1620 OF THE ABOVE MENTIONED CODE, USING ASCE 7-22 AND SHALL NOT EXCEED THE MAXIMUM (A.S.D.) DESIGN PRESSURE RATINGS INDICATED ON NOTE 3 BELOW.

IN ORDER TO VERIFY THE ABOVE CONDITION, ULTIMATE DESIGN WIND LOADS DETERMINED PER ASCE 7-22 SHALL BE FIRST REDUCED TO A.S.D. DESIGN WIND LOADS BY MULTIPLYING THEM BY 0.6 IN ORDER TO COMPARE THESE W/ MAX. (A.S.D.) DESIGN PRESSURE RATINGS INDICATED ON NOTE 3 BELOW.

IN ORDER TO VERIFY THAT ANCHORS ON THIS P.E.D., AS TESTED, WERE NOT OVERSTRESSED, A 33% INCREASE IN ALLOWABLE STRESS FOR WIND LOADS WAS NOT USED IN THEIR ANALYSIS. A DURATION FACTOR $C_d=1.60$ WAS USED TO VERIFY FASTENERS IN WOOD, PER N.D.S 2018

THIS PRODUCT'S ADEQUACY FOR IMPACT AND WIND RESISTANCE HAS BEEN VERIFIED IN ACCORDANCE WITH SECTIONS 1626 & 1609.1.2 & AAMA 501 (PER SECTION 2411.3.2.1.1) OF THE ABOVE MENTIONED CODE AS PER PROTOCOLS TAS-201, TAS-202, TAS-203, PER FENESTRATION TESTING LABORATORY, INC. LAB REPORT #8131 AND AS PER SUBMITTED STRUCTURAL CALCULATIONS, PERFORMED AS PER SECTIONS 1616 & 1604 OF THE FLORIDA BUILDING CODE. GLASS VERIFIED PER ASTM E-1300, PER SECTION 2404.1 OF THE FLORIDA BUILDING CODE.

2. REMAINING COMPONENTS FOR THIS PRODUCT SHALL BE AS INDICATED ON BILL OF MATERIALS AND COMPONENT SHEETS 2, 3, 4 (FOR OPTIONAL SYSTEM #1) & 24, 25 & 26 (FOR OPTIONAL SYSTEM #2) OF THIS DRAWING.

3. MAXIMUM A.S.D. DESIGN PRESSURE RATINGS FOR THIS PRODUCT SHALL BE AS SHOWN ON SHEET 21 (FOR OPTIONAL SYSTEM #1) & SHEET 44 (FOR OPTIONAL SYSTEM #2). SEE DOOR ELEVATIONS AND NOTES ON SHEETS 5 THRU 10 (FOR OPTIONAL SYSTEM #1) & SHEETS 27 THRU 32 (FOR OPTIONAL SYSTEM #2) FOR QUALIFIED CONFIGURATIONS.

4. THIS PRODUCT WILL NOT REQUIRE A HURRICANE PROTECTION DEVICE.

5. THIS PRODUCT IS APPROVED FOR AIR AND WATER INFILTRATION.

6. ALL ALUMINUM EXTRUSIONS SHALL BE ALUMINUM ASSOCIATION 6063-T6 ALLOY AND TEMPER AS PER SHEET 2 (FOR OPTIONAL SYSTEM #1) & SHEET 24 (FOR OPTIONAL SYSTEM #2). ALL ALUMINUM EXTRUSIONS IN CONTACT WITH DISSIMILAR MATERIALS SHALL COMPLY WITH SECTION III-6 OF THE 2020 ALUMINUM DESIGN MANUAL.

7. ALL SCREWS USED FOR ASSEMBLY CONNECTIONS (METAL TO METAL) TO BE STAINLESS STEEL 304 OR 316 AISI SERIES OR CORROSION RESISTANT COATED CARBON STEEL AS PER DIN 50018 WITH 50 ksi YIELD STRENGTH AND 90 ksi TENSILE STRENGTH & SHALL COMPLY W/ FLORIDA BUILDING CODE SECTION 2411.3.3.4.

8. WOOD BUCKS, BY OTHERS, MUST BE ANCHORED PROPERLY TO TRANSFER LOADS TO THE BUILDING STRUCTURE. WOOD BUCKS MUST BE SOUTHERN PINE # 2, G=0.55, AND SHALL COMPLY WITH SECTION 2411.3.3.3 OF THE 2023 (8th EDITION) OF THE FLORIDA BUILDING CODE.

(8.1) 2 x WOOD BUCKS MUST BE PROPERLY ANCHORED TO EXISTING STRUCTURE TO TRANSFER LOADS TO IT. ANCHORAGE IS INDEPENDENT OF DOOR FRAME ANCHORAGE. DOOR FRAME MUST BE SEPARATELY ANCHORED TO 2 x WOOD BUCK FOLLOWING DETAILS ON THIS DRAWING.

(8.2) 1 x WOOD BUCK (OR ANY WOOD BUCK LESS THAN 2X) MUST BE PROPERLY ANCHORED TO EXISTING STRUCTURE TO TRANSFER LOADS TO IT. DOOR FRAME ANCHOR SHALL BE USED TO ATTACH 1 x WOOD BUCK TO EXISTING STRUCTURE BY DRIVING ANCHOR THRU BOTH DOOR FRAME & 1 x WOOD BUCK INTO EXISTING STRUCTURE W/ PROPER EMBEDMENT AND EDGE DISTANCE AS SHOWN ON THIS DRAWING.

(8.3) DOOR FRAME MAY BE DIRECTLY CONNECTED TO EXISTING STRUCTURE WITH NO NEED OF WOOD BUCKS WHEN MASONRY OPENING IS NO LARGER THAN ACTUAL DOOR OVERALL DIMENSIONS. HOWEVER, SHIMS (SEE NOTE 10) MAY BE ALLOWED AT DOOR FRAME ANCHOR LOCATION IF NEEDED.

9. **ANCHOR NOTES:** EMBEDMENT AND EDGE DISTANCE ARE BEYOND ANY FINISH.

(A) TO EXISTING POURED CONCRETE: (MIN. $f'c = 2000$ psi), MIN. EDGE DISTANCE (E.D.) = 3".
- 1/4"Ø TAPCON ANCHOR W/ 1 1/4" MIN. EMBEDMENT, AS MANUFACTURED BY ITW/BUILDEX, INC. (COMPONENT 22) FOR OPTIONAL SYSTEM #1 & #2).

(B) TO EXISTING A.S.T.M. C-90 CONCRETE BLOCK WALL. MIN. EDGE DISTANCE (E.D.) = 3".
- 1/4"Ø TAPCON ANCHOR W/ 1 1/4" MIN. EMBEDMENT, AS MANUFACTURED BY ITW/BUILDEX, INC. (COMPONENT 22) FOR OPTIONAL SYSTEM #1 & #2).

(C) TO EXISTING 2xP.T. WOOD BUCK. MIN. EDGE DISTANCE (E.D.) = 1".
- 1/4"Ø TAPCON ANCHOR W/ 1 1/2" MIN. EMBEDMENT, AS MANUFACTURED BY ITW/BUILDEX, INC. (COMPONENT 22) FOR OPTIONAL SYSTEM #1 & #2).

(D) TO EXISTING MIN. 1/8" THICK ALUMINUM TUBE (6063-T5 ALLOY)
MIN. EDGE DISTANCE (E.D.) = 1/2".
- 1/4"Ø-14 TEK SCREW, AS MANUFACTURED BY ITW/BUILDEX, INC. (COMPONENT 22A) FOR OPTIONAL SYSTEM #1 & #2), FULLY ENGAGED.

(E) TO EXISTING MIN. 16 GAGE STEEL MEMBER (MIN A-653 GRADE 33 OR A-36)
MIN. EDGE DISTANCE (E.D.) = 1/2".
- 1/4"Ø-14 TEK SCREW, AS MANUFACTURED BY ITW/BUILDEX, INC. (COMPONENT 22A) FOR OPTIONAL SYSTEM #1 & #2), FULLY ENGAGED.

10. PROVIDE 1/4" MAX. LOAD BEARING SHIM, WHEN ALLOWED BY THIS DRAWING.

11. DOORS INSTALLATION SHALL COMPLY WITH SPECS INDICATED IN THIS DRAWING PLUS ANY BUILDING AND ZONING REGULATIONS PROVIDED BY THE JURISDICTION WHERE PERMIT IS APPLIED TO.

12. ALL DOORS COMPONENT EDGES WHICH REMAIN IN CONTINUOUS CONTACT WITH THE BUILDING SHALL BE SEAL/CAULK TO PREVENT WIND/RAIN INTRUSION. CAULK AND SEAL ALL AROUND FULL LENGTH.

13. PRODUCT MANUFACTURER'S LABEL SHALL BE LOCATED ON A READILY VISIBLE LOCATION AT PRODUCT IN ACCORDANCE WITH SECTION 1709.5.1 OF THE FLORIDA BUILDING CODE. ONE LABEL SHALL BE PLACED FOR EVERY OPENING.

14. (a) THIS P.E.D. PREPARED BY THIS ENGINEER IS GENERIC AND DOES NOT PROVIDE INFORMATION FOR A SITE SPECIFIC PROJECT; i.e. WHERE THE SITE CONDITIONS DEVIATE FROM THE P.E.D.

(a) CONTRACTOR TO BE RESPONSIBLE FOR THE SELECTION, PURCHASE AND INSTALLATION INCLUDING LIFE SAFETY OF THIS PRODUCT, BASED ON THIS P.E.D., PROVIDED HE/SHE DOES NOT DEVIATE FROM THE CONDITIONS DETAILED ON THIS DOCUMENT. CONSTRUCTION SAFETY AT SITE IS THE CONTRACTOR'S RESPONSIBILITY.

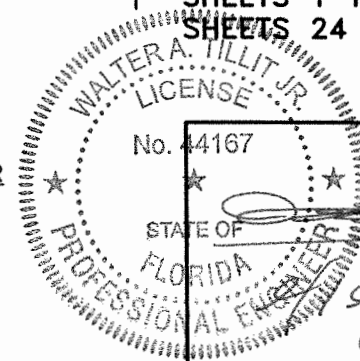
(b) THIS P.E.D. WILL BE CONSIDERED INVALID IF ALTERED BY ANY MEANS.

(c) ORIGINAL P.E.D. SHALL BEAR THE DATE AND ORIGINAL SEAL AND SIGNATURE OF THE PROFESSIONAL ENGINEER OF RECORD THAT PREPARED IT.

INDEX:

SHEETS 1 THRU 23: OPTIONAL SYSTEM #1
SHEETS 24 THRU 45: OPTIONAL SYSTEM #2

THIS DRAWING SHALL ONLY BE USED TO OBTAIN PERMITS IN THE STATE OF FLORIDA



P.E. SEAL/SIGNATURE/DATE

©2023 TILTECO, INC.

TILTECO INC.

TILLIT TESTING & ENGINEERING COMPANY
6355 N.W. 36th. St., Ste. 305, VIRGINIA GARDENS, FL 33166
Phone : (305)871-1530 - Fax : (305)871-1531
CA-0006719

WALTER A. TILLIT Jr. P.E.
FLORIDA Lic. # 44167

FLORIDA BUILDING CODE (HIGH & NON HIGH VELOCITY HURRICANE ZONE)

SERIES 24000 LMSZ IMPACT RESISTANT OUTSWING FRENCH DOOR W/ TRANSOM OR W/ SIDELITES

290 WEST 78 ROAD
HIALEAH, FL 33014
PH: (954)226-5555/(305)558-8103
FAX: (305)558-6665
www.gigwindows.com

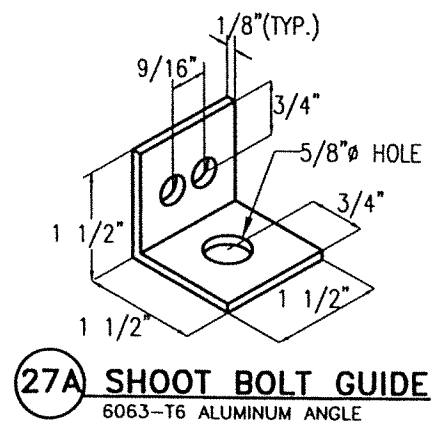
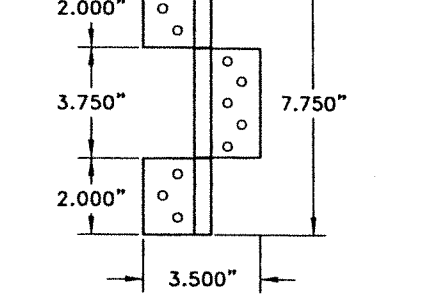
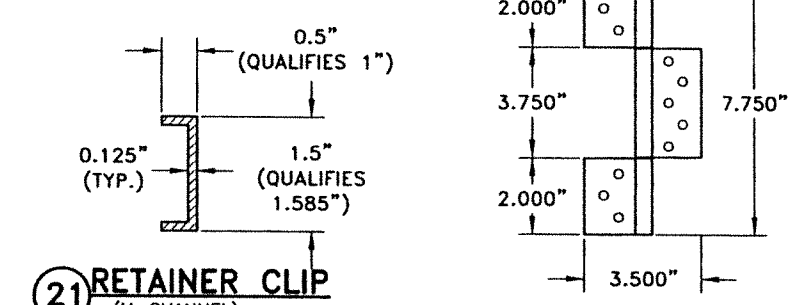
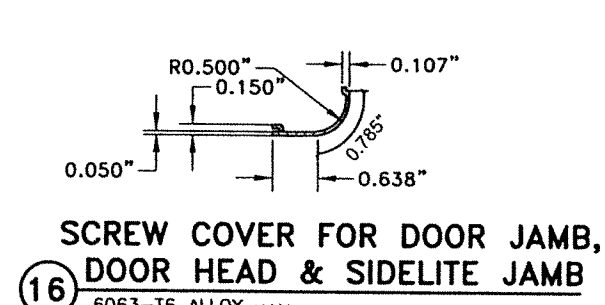
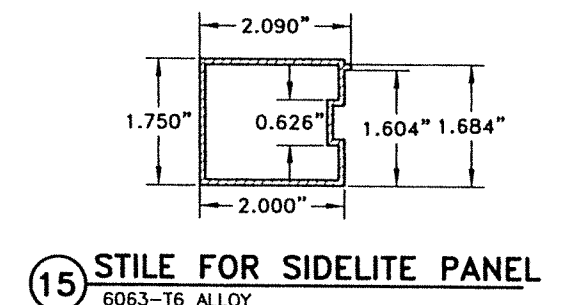
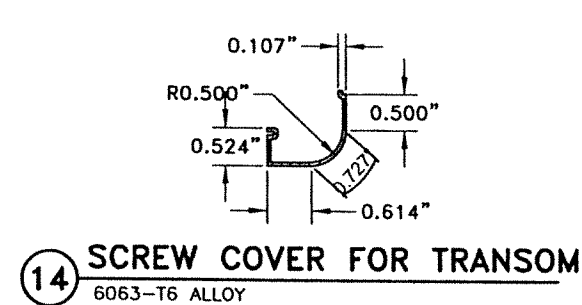
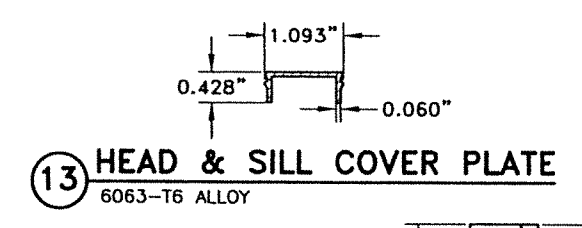
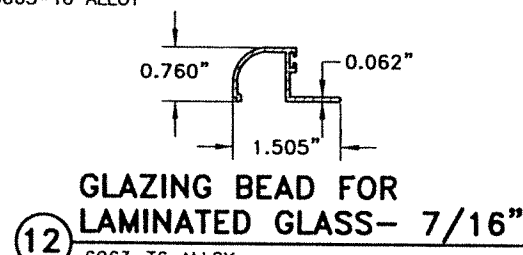
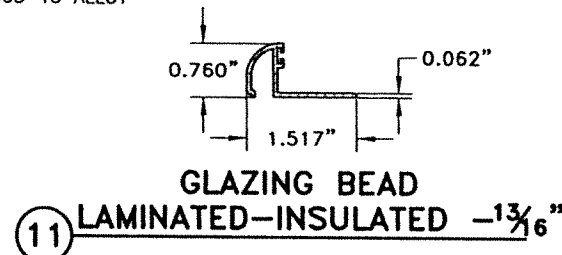
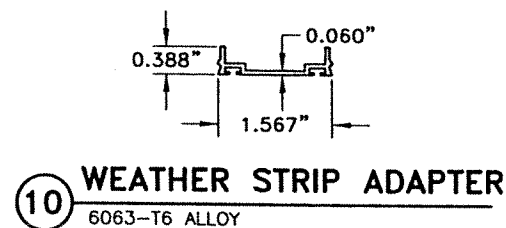
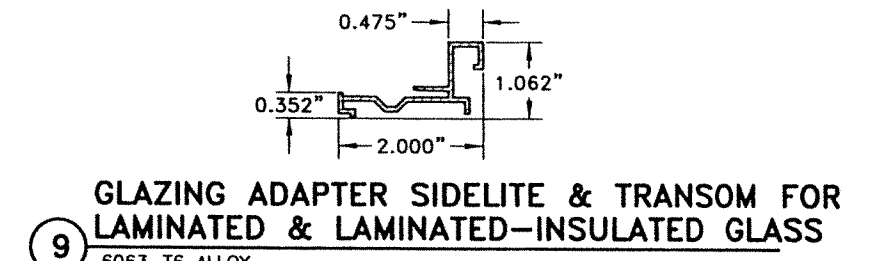
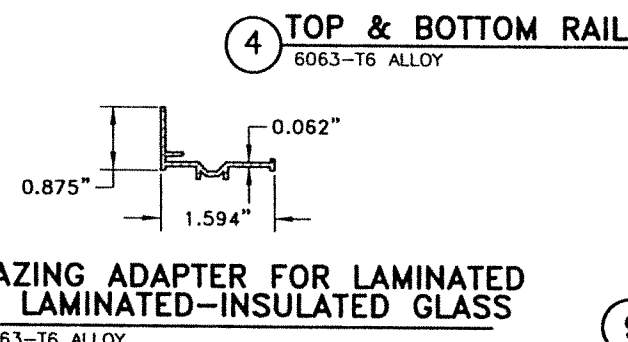
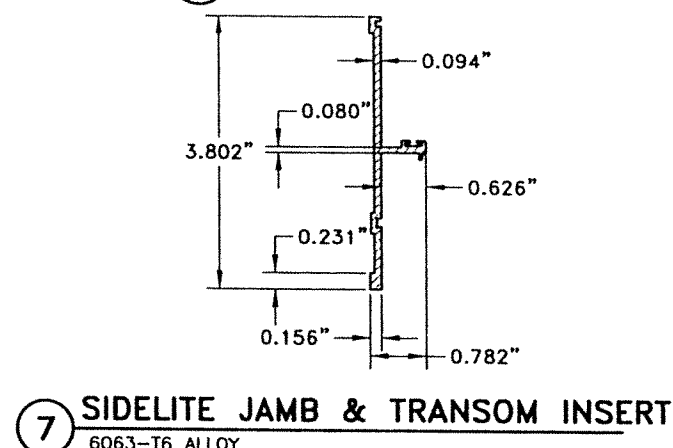
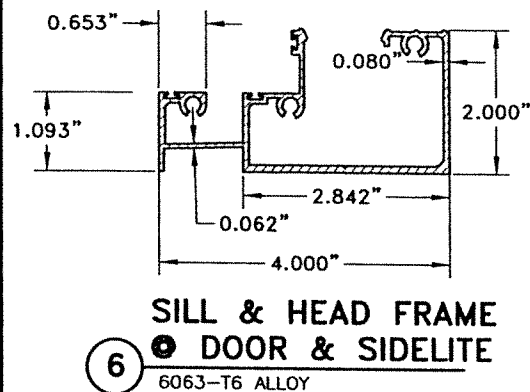
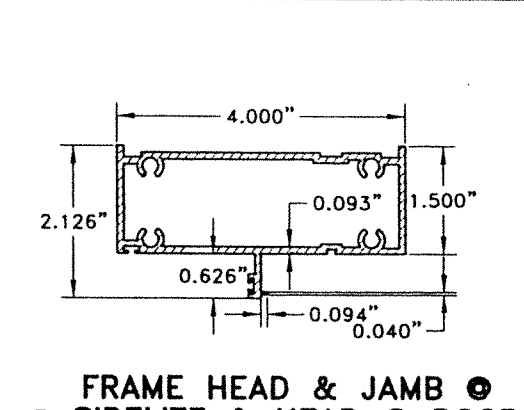
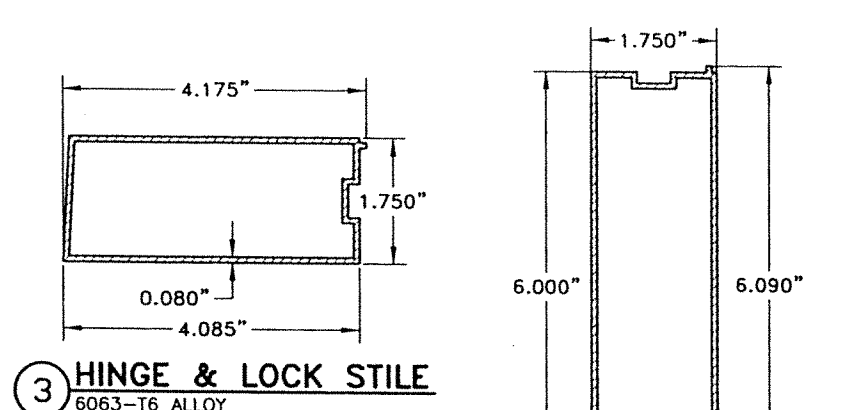
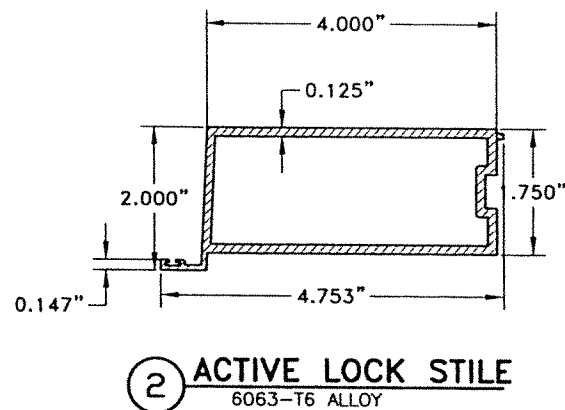
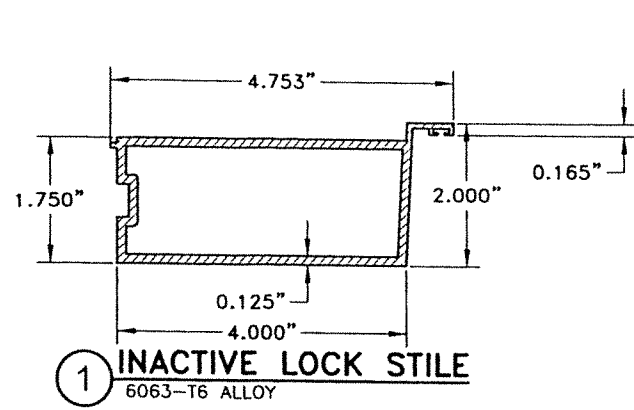
REV. No	DESCRIPTION	DATE	REV. No	DESCRIPTION	DATE
1	OLD 23-156	09/06/23	2		

DRAWN BY
W.H.

09/06/2023
DATE

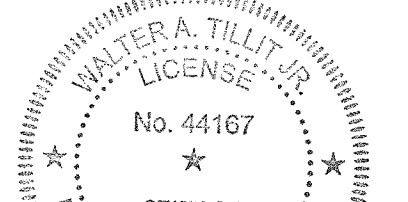
23-209
DRAWING No

SHEET 1 OF 45



COMPONENTS (OPTIONAL SYSTEM # 1)

SCALE: N.T.S



P.E. SEAL/SIGNATURE/DATE
W.A. Tillit Jr.

FLORIDA BUILDING CODE (HIGH & NON HIGH VELOCITY HURRICANE ZONE)

©2023 TILTECO, INC.

TILTECO INC.
TILLIT TESTING & ENGINEERING COMPANY
8355 N.W. 36th St., Ste. 305, VIRGINIA GARDENS, FL 33198
Phone: (305)871-1530 Fax: (305)871-1531 CA-0006719

WALTER A. TILLIT JR. P.E.
FLORIDA Lic. # 44167

**SERIES 24000 LMSZ IMPACT RESISTANT
OUTSWING FRENCH DOOR W/ TRANSOM
OR W/ SIDELITES**

290 WEST 78 ROAD
HALEAH, FL 33014
PH: (954)226-5555/(305)558-8103
FAX: (305)558-8665
www.gigwindows.com

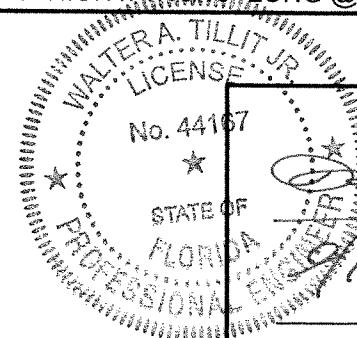
WINDOWS & DOORS

REV. No	DESCRIPTION	DATE	REV. No	DESCRIPTION	DATE
1	OLD 23-158	09/08/23	2		

DRAWN BY W.H.
DATE 09/06/2023
DRAWING No 23-209
SHEET 2 OF 45

BILL OF MATERIALS			
COMPONENT #	DESCRIPTION	DIMENSIONS/REMARKS	MATERIAL
1	INACTIVE LOCK STILE	SEE SHEET 2	6063-T6
2	ACTIVE LOCK STILE	SEE SHEET 2	6063-T6
3	HINGE & LOCK STILE (SINGLE DOOR) & HINGE STILE (DOUBLE DOOR)	SEE SHEET 2	6063-T6
4	TOP & BOTTOM RAIL	SEE SHEET 2	6063-T6
5	FRAME HEAD & JAMB @ SIDELITE & HEAD @ DOOR	SEE SHEET 2	6063-T6
6	SILL & HEAD FRAME @ DOOR & SIDELITE	SEE SHEET 2	6063-T6
7	SIDELITE JAMB & TRANSOM INSERT	SEE SHEET 2	6063-T6
8	GLAZING ADAPTER DOOR FOR LAMINATED & LAMINATED-INSULATED GLASS	SEE SHEET 2	6063-T6
9	GLAZING ADAPTER SIDELITE & TRANSOM FOR LAMINATED & LAMINATED-INSULATED GLASS	SEE SHEET 2	6063-T6
10	WHEATHER STRIP ADAPTER	SEE SHEET 2	6063-T6
11	GLAZING BEAD FOR LAMINATED-INSULATED GLASS-13/16"	SEE SHEET 2	6063-T6
12	GLAZING BEAD FOR LAMINATED GLASS-7/16"	SEE SHEET 2	6063-T6
13	HEAD AND SILL COVER PLATE	SEE SHEET 2	6063-T6
14	SCREW COVER FOR TRANSOM	SEE SHEET 2	6063-T6
15	STILE FOR SIDELITE PANEL	SEE SHEET 2	6063-T6
16	SCREW COVER FOR DOOR JAMB, DOOR HEAD & SIDELITE JAMB	SEE SHEET 2	6063-T6
17	#14 x 1 1/2" S.S. TEK SCREW 5" FROM JAMBS, BALANCE @ 12" O.C.	SIDELITE JAMB INSERT-TRANSOM INSERT & RETAINER CLIP SCREW	STEEL
18	#12 x 1" PAN HEAD S.S. TEK SCREW 6" FROM ENDS, BALANCE @ 7" O.C.	SIDELITE JAMB STILE (PANEL CONNECTION)	STEEL
19	#14 x 2 1/2" H.H SCREW, 5" FROM JAMBS, BALANCE @ 12" O.C.	DOOR-SIDELITE-TRANSOM (FRAME ASSEMBLY) -180 Ksi TENSILE STRENGTH	STEEL
20	#10 x 1" F.H. S.S. TEK SCREW @ 8" O.C.	GLAZING ADAPTER & FRAME HEAD/JAMB ASSEMBLY & HINGE/LOCK STILE	STEEL
21	RETAINER CLIP	AT DOOR PANEL, W/ (2) #14x3/4 TEK SCREWS TO STILES, JOINS RAILS W/ STILES + (35)	6063-T6
22	TAPCON (ITW/BUILDEX) CONCRETE ANCHOR	1/4" Ø - SEE GENERAL NOTE ON SHEET 1	STEEL
22A	TEK SCREW (ITW/BUILDEX)	1/4" Ø - SEE GENERAL NOTE ON SHEET 1	STEEL
23	EXTRUDED HINGES	3 1/2" X 7 3/4" POWDER COATED W/ (6) #10-20x7/16" F.H. S.S. MS TO FRAME & W/ (5) #10-24x7/16" F.H. S.S. MS TO DOOR PANEL	6063-T6
24	GLAZING BULB	0.250"x0.345" (ULTRAFAB)	VINYL
25	FIN SEAL PILE W/ PLASTIC	ULTRAFAB	
26	SEAL WEATHER STRIPPING	PRO-LON (DOOR FRAME JAMB)	
27	SHOOT BOLT	TOP & BOTTOM 3/8Ø x2" (2) REQ'D @ ACTIVE +(2) REQ'D @ INACTIVE. PENETRATE 2" MIN. INTO HD/SILL	FOAM STEEL
27A	SHOOT BOLT GUIDE	TOP & BOTTOM SEE DETAIL SHEET 24. 1 1/2" x 1 1/2" x 1/8" x 0'-1 1/2", 6063-T6 ALUMINUM ANGLE	ALUMINUM
28	1/4" DRIVE ROD TOP & BOTTOM		ALUMINUM
29	3 POINT LOCK ACTIVE HANDLE W/ CYLINDER, LATCH & DEAD BOLT STRIKE, LEVER COMPRESSION LOCK	MANUFACTURED BY ASSA ABLOY	
29A	2 POINT LOCK ACTIVE HANDLE W/ INSTALLATION AT (2) #8-32 x 7/16" SCREWS PER PANEL & TWIN BOLT LOCK W/ (1) #8-32 x 7/16" SCREW PER PANEL	MANUFACTURED BY ASSA ABLOY	
30	STRUCTURAL SILICONE DOW CORNING 995	ALL AROUND GLASS	SILICONE
31	NON STRUCTURAL SILICONE DOW CORNING CONTRACTORS CONCRETE SEALANT (CCS)	AS SHOWN	SILICONE
32	BUMPER SPHEAR		SILICONE
33	FLUSH BOLT	HARDWARE (OPTION TO 3 AND 2 POINT LOCK) ASSA ABLOY, 7 mm ROD W/ (2) # 8 x 1/2" SMS TO STILE	PLATED STEEL
34	SETTING BLOCK		E.P.D.M.
35	CONTINUOUS THREADED ROD	3/8"Ø, W/ (4) S.S. SECURITY NUTS W/ NYLON INSERT EACH DOOR PANEL (2 PER DOOR)	STEEL
38	WEEP HOLES	1/16" HIGH x 1 15/16" LONG @ THRESHOLD (2 PER DOOR)	

OPTIONAL SYSTEM # 1



P.E. SEAL/SIGNATURE/DATE

©2023 TILTECO, INC.

TILTECO INC.

TILLIT TESTING & ENGINEERING COMPANY
 8305 N.W. 30th St., Ste. 305, VIRGINIA GARDENS, FL 33166
 Phone: (305)871-1530, Fax: (305)871-1531
 CA-0006719

WALTER A. TILLIT Jr. P.E.
 FLORIDA Lic. # 44167

FLORIDA BUILDING CODE (HIGH & NON HIGH VELOCITY HURRICANE ZONE)

SERIES 24000 LMSZ IMPACT RESISTANT
 OUTSWING FRENCH DOOR W/ TRANSOM
 OR W/ SIDELITES

GIG WINDOWS & DOORS

290 WEST 78 ROAD
 HIALEAH, FL 33014
 PH: (954)226-5555/(305)558-8103
 FAX: (305)558-6665
 www.gigwindows.com

DRAWN BY
 W.H.

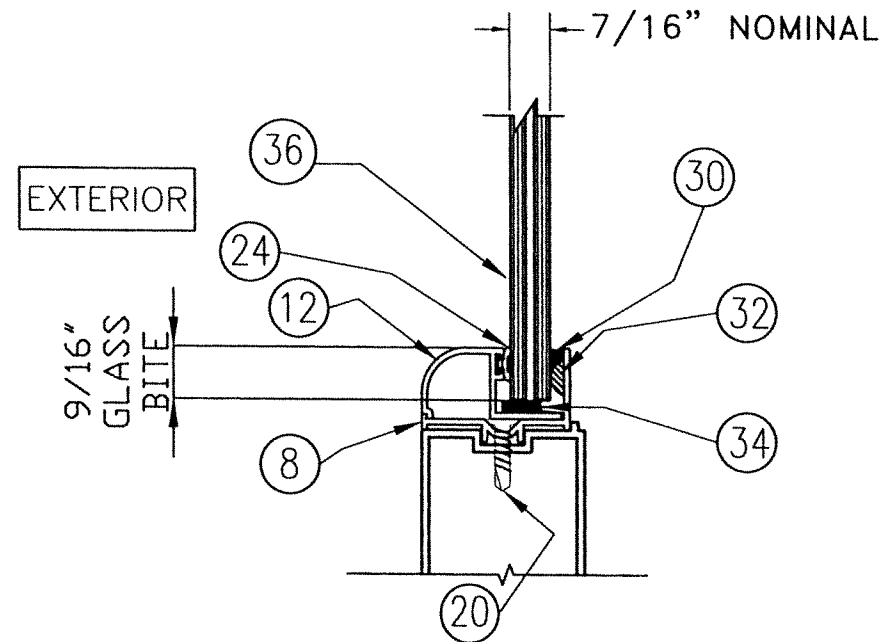
09/06/2023
 DATE

23-209
 DRAWING No

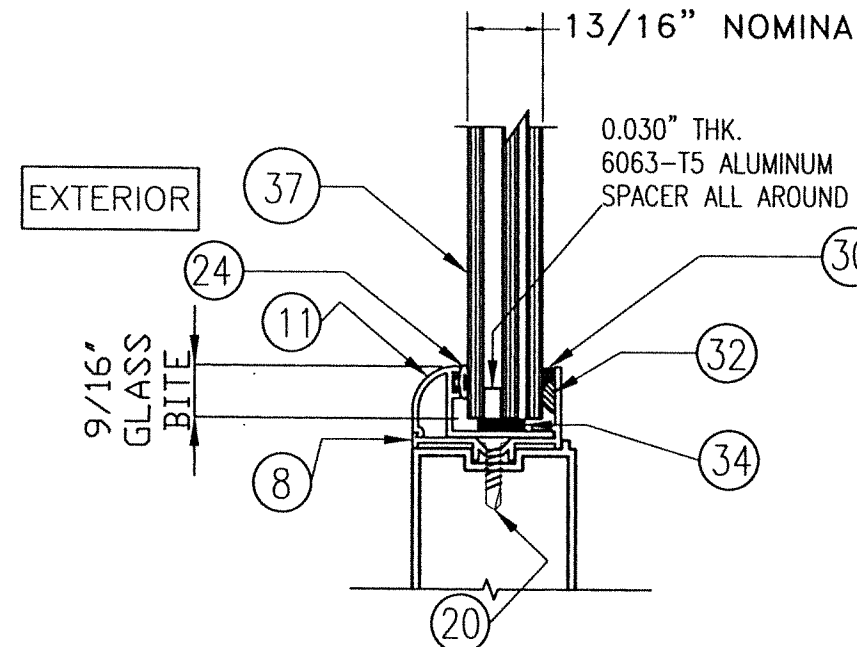
SHEET 3 OF 45

REV. No	DESCRIPTION	DATE	REV. No	DESCRIPTION	DATE
1	OLD 23-156	09/06/23	2		

BILL OF MATERIALS (CONT'D)		
COMPONENT #	DESCRIPTION	MATERIAL
36	7/16" NOMINAL LAMINATED GLASS W/ 3/16" H.S. GLASS +0.090" DUPONT TROSIFOL INTERLAYER BY KURARAY AMERICA INC., + 3/16" H.S. GLASS.	GLASS
37	13/16" INSULATED-LAMINATED GLASS W/ 3/16" TEMPERED GLASS OUT BOARD -1/4 ARGON SPACER + 3/16 H.S. + 0.090" DUPONT TROSIFOL INTERLAYER BY KURARAY AMERICA INC., + 3/16" H.S. INBOARD	GLASS

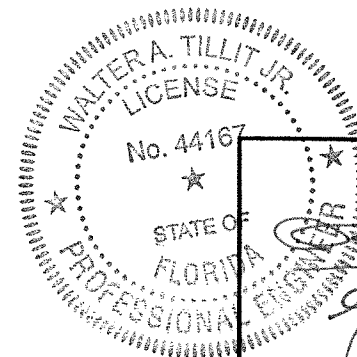


GLAZING DETAIL 1
AT 36
 SCALE: N.T.S



GLAZING DETAIL 2
AT 37
 SCALE: N.T.S

OPTIONAL SYSTEM # 1



P.E. SEAL/SIGNATURE/DATE

©2023 TILTECO, INC



WALTER A. TILLIT Jr. P.E.
 FLORIDA Lic. # 44167

FLORIDA BUILDING CODE (HIGH & NON HIGH VELOCITY HURRICANE ZONE)

SERIES 24000 LMSZ IMPACT RESISTANT
 OUTSWING FRENCH DOOR W/ TRANSOM
 OR W/ SIDELITES

DRAWN BY
 W.H.

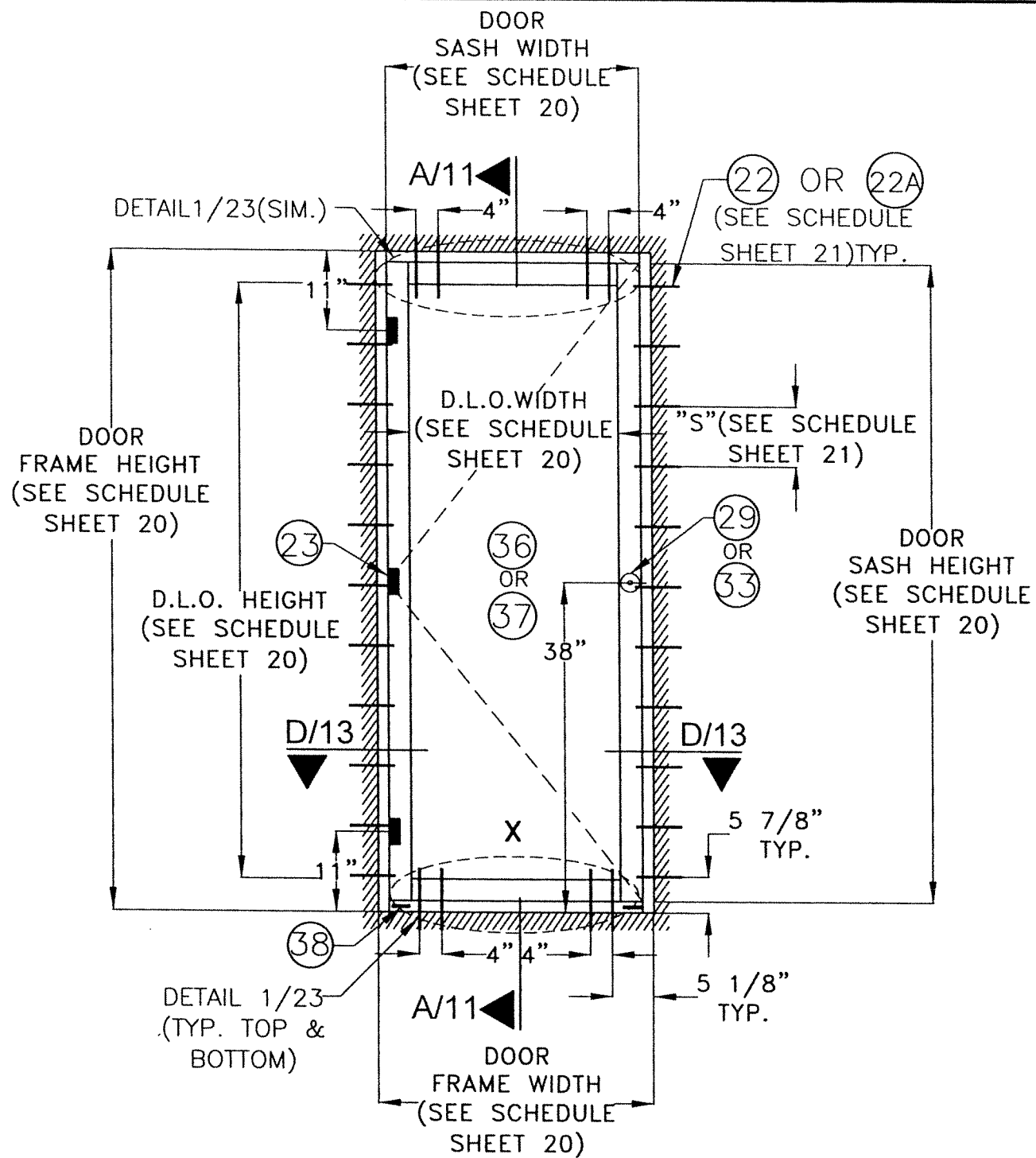
09/06/2023
 DATE

23-209
 DRAWING No

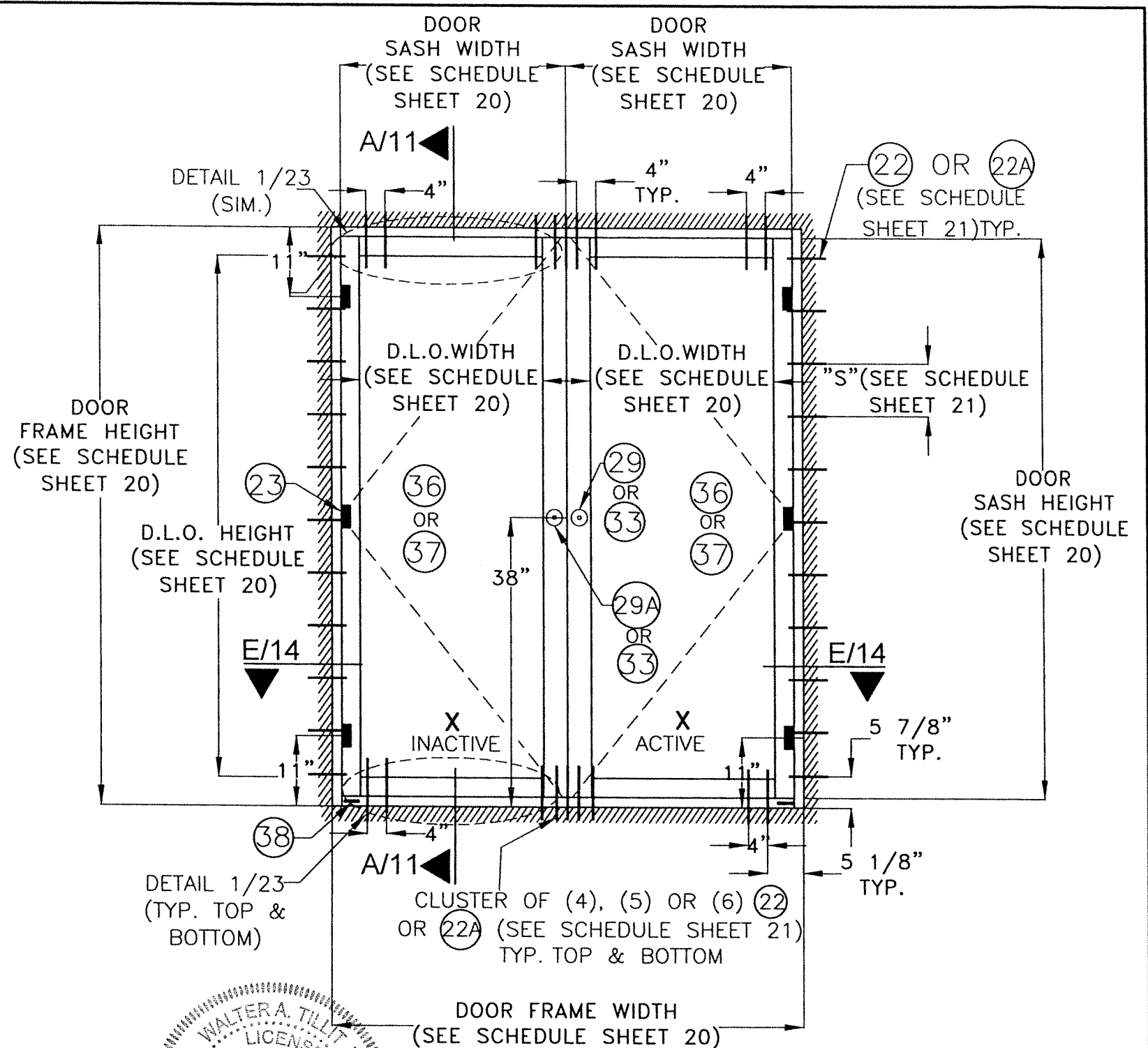
290 WEST 78 ROAD
 HIALEAH, FL 33014
 PH: (954)226-5555/(305)558-8103
 FAX: (305)558-6665
 www.gigwindows.com

REV. No	DESCRIPTION	DATE	REV. No	DESCRIPTION	DATE
1	OLD 23-156	09/06/23	2		

SHEET 4 OF 45



**TYPICAL EXTERIOR ELEVATION
SINGLE DOOR**

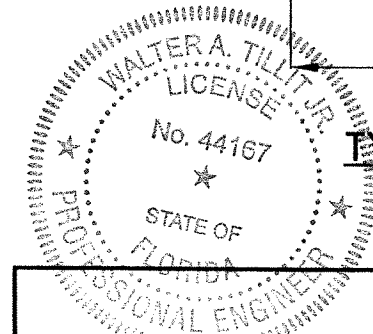


**TYPICAL EXTERIOR ELEVATION
DOUBLE DOOR**

**TYPICAL EXTERIOR ELEVATIONS FOR SINGLE &
DOUBLE DOOR W/O TRANSOM NOR SIDELITES**

SCALE: N.T.S

OPTIONAL SYSTEM # 1



Walter A. Tillit Jr.
9/19/2023

P.E. SEAL/SIGNATURE/DATE

©2023 TILTECO, INC.
TILTECO INC.
TILLIT TESTING & ENGINEERING COMPANY
6305 N.W. 36th. St., Ste. 305, VIRGINIA GARDENS, FL 33166
Phone : (305)871-1530 . Fax : (305)871-1531
CA-0006719
WALTER A. TILLIT Jr. P.E.
FLORIDA Lic. # 44187

FLORIDA BUILDING CODE (HIGH & NON HIGH VELOCITY HURRICANE ZONE)

**SERIES 24000 LMSZ IMPACT RESISTANT
OUTSWING FRENCH DOOR W/ TRANSOM
OR W/ SIDELITES**

290 WEST 78 ROAD
HIALEAH, FL 33014
PH: (954)226-5555/(305)358-8103
FAX: (305)558-6665
www.glgwindows.com

GLG WINDOWS & DOORS

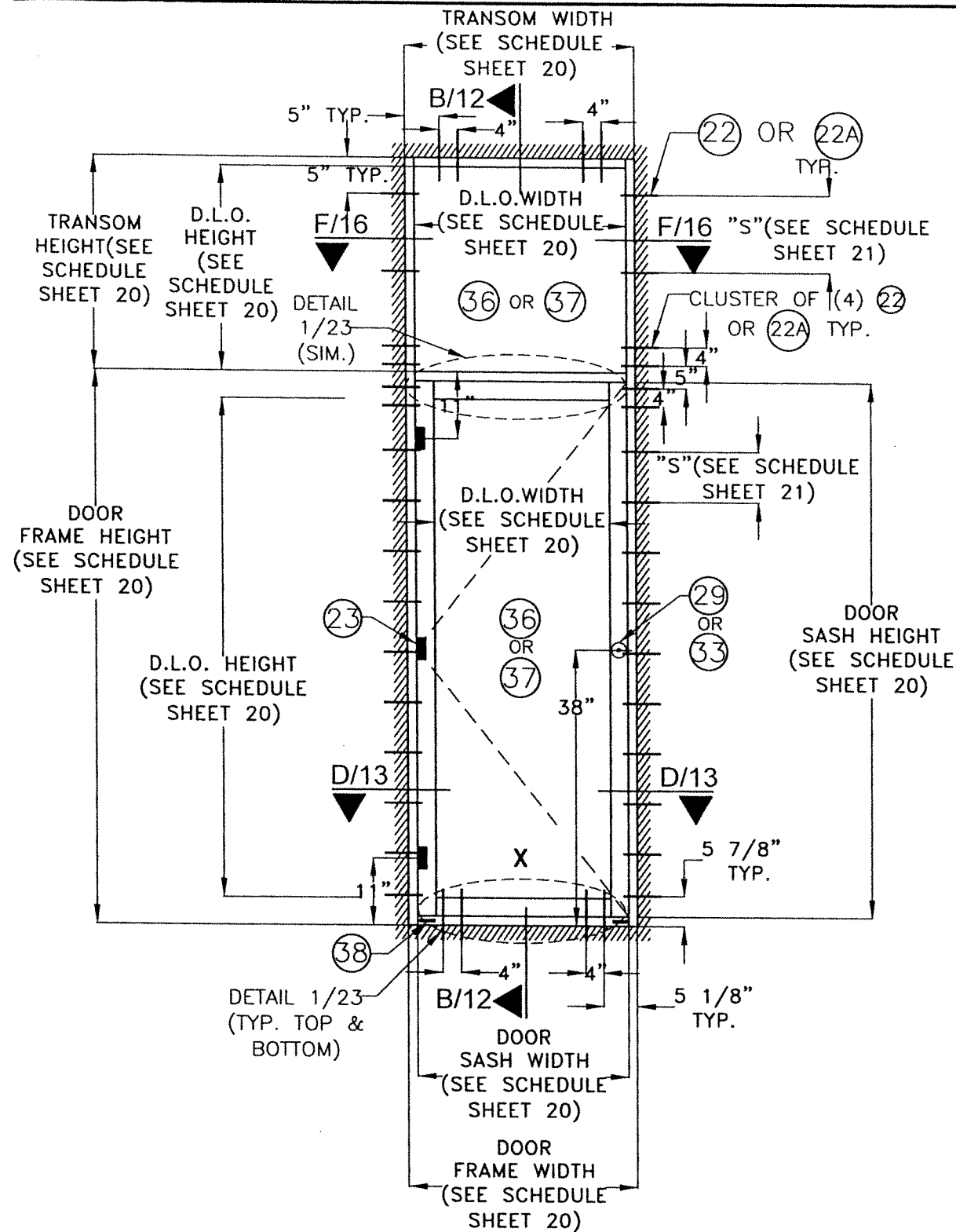
REV. No	DESCRIPTION	DATE	REV. No	DESCRIPTION	DATE
1	OLD 23-156	09/06/23	2		

DRAWN BY
W.H.

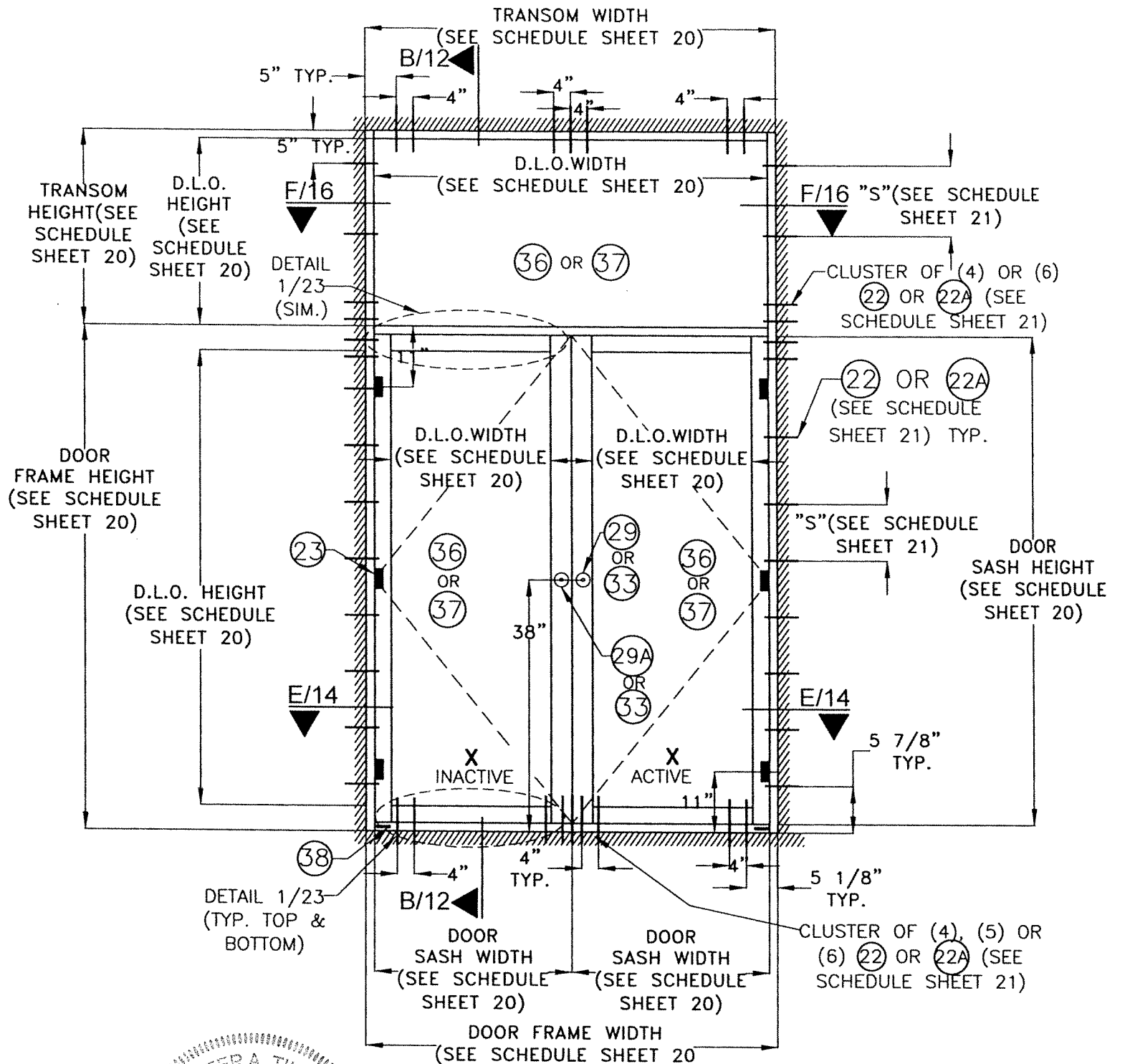
09/06/2023
DATE

23-209
DRAWING No

SHEET 5 OF 45



**TYPICAL EXTERIOR ELEVATION
SINGLE DOOR W/ TRANSOM**



**TYPICAL EXTERIOR ELEVATION
DOUBLE DOOR W/ TRANSOM**

**TYPICAL EXTERIOR ELEVATIONS FOR SINGLE
& DOUBLE DOOR W/ TRANSOM**
SCALE: N.T.S
OPTIONAL SYSTEM # 1

WALTER A. TILLIT JR.
LICENSE
No. 44167
STATE OF FLORIDA
PROFESSIONAL ENGINEER
9/19/2023
P.E. SEAL/SIGNATURE/DATE

©2023 TILTECO, INC
TILTECO INC.
TILLIT TESTING & ENGINEERING COMPANY
6305 N.W. 30th. St., Ste. 305, VIRGINIA GARDENS, FL 33168
Phone : (305)871-1530 . Fax : (305)871-1531
CA-0006719
WALTER A. TILLIT Jr. P.E.
FLORIDA Lic. # 44167

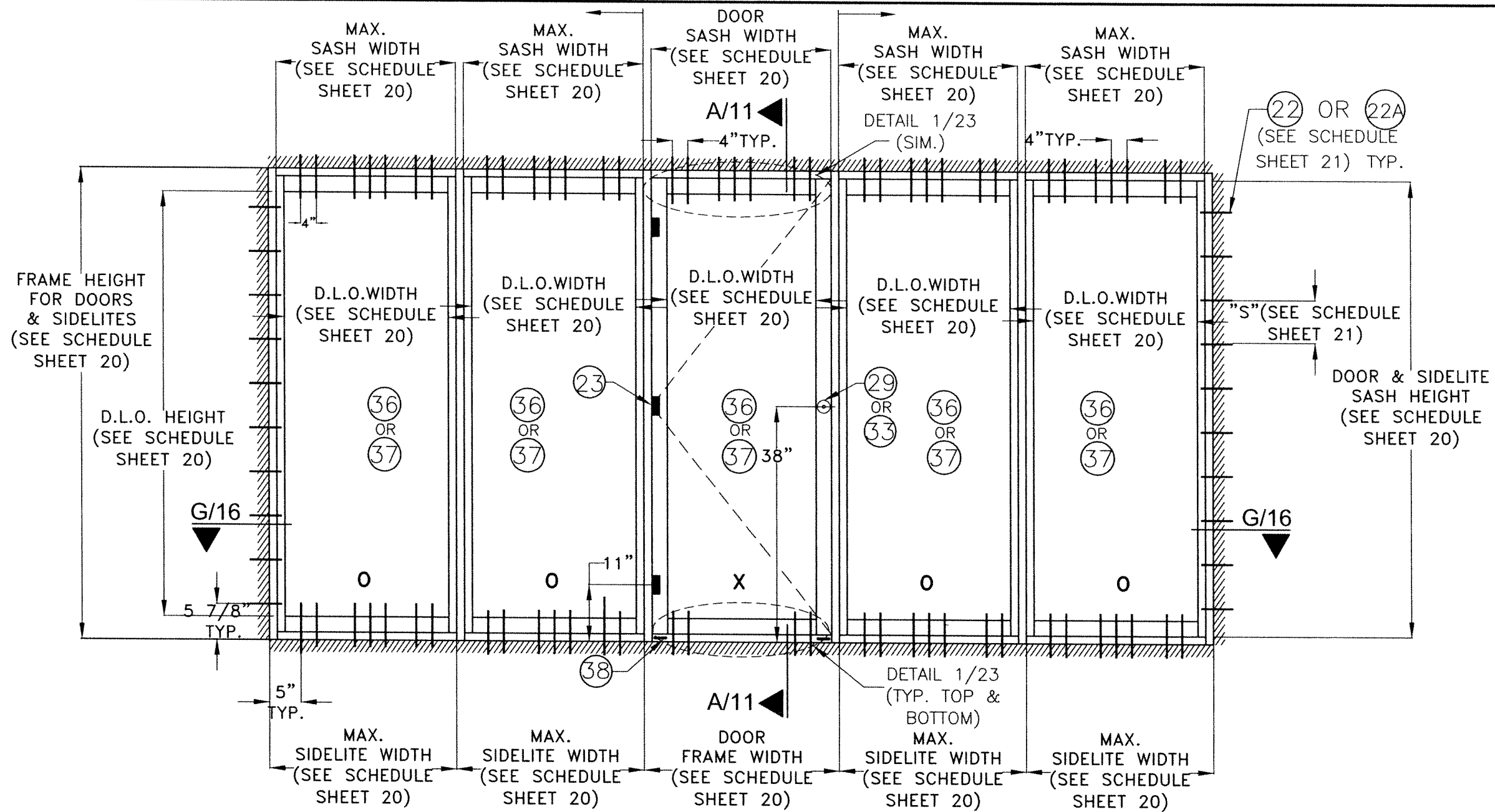
FLORIDA BUILDING CODE (HIGH & NON HIGH VELOCITY HURRICANE ZONE)

**SERIES 24000 LMSZ IMPACT RESISTANT
OUTSWING FRENCH DOOR W/ TRANSOM
OR W/ SIDELITES**

290 WEST 78 ROAD
HIALEAH, FL 33014
PH: (954)228-5555/(305)558-8103
FAX: (305)558-8665
www.gigwindows.com

REV. No	DESCRIPTION	DATE	REV. No	DESCRIPTION	DATE
1	OLD 23-136	09/06/23	2		

DRAWN BY
W.H.
09/06/2023
DATE
23-209
DRAWING No
SHEET 6 OF 45



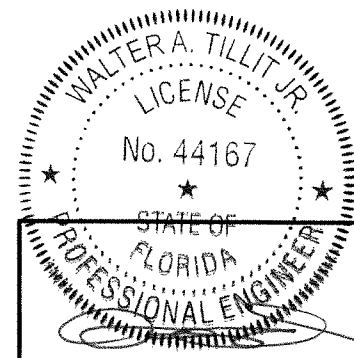
TYPICAL EXTERIOR ELEVATION OF SINGLE DOOR W/ SIDELITES *

SCALE: N.T.S

NOTE: *

- (I) SINGLE OR DOUBLE FRENCH DOORS MAY BE COMBINED IN ANY SUCCESSIVE ARRANGEMENT JOINTLY WITH FIXED GLASS SIDELITES TO CONFORM TO ANY INSTALLATION. FOR THIS COMBINATION TO BE FEASIBLE THE FOLLOWING PROCEDURE & REQUIREMENTS SHALL BE APPLIED:
 - (I.1) INTERIOR MULLIONS BETWEEN SIDELITES SHALL ALWAYS CONSIST OF MULLION DESCRIBED ON SECTIONS G,H,I,J SHEETS 16 THRU 19, ADDITIONALLY ON SECTIONS X,Y SHEET 19A.
 - (I.2) DOOR JAMB MULLIONS SHALL CONSIST OF MULLIONS DESCRIBED ON SECTIONS G,H,I,J SHEETS 16 THRU 19, ADDITIONALLY ON SECTIONS X,Y SHEET 19A.
 - (I.3) JAMBS AT SIDELITES SHALL ALWAYS BE ATTACHED TO EXISTING SUBSTRATES W/ ANCHORS AS PER GENERAL NOTE 9, SHEET 1 & AT SPACINGS PER SCHEDULE ON SHEET 21.
 - (I.4) TOP & BOTTOM ANCHORS FOR INTERIOR MULLIONS BETWEEN SIDELITES AS WELL AS DOOR JAMB MULLIONS SHALL BE AS INDICATED ON ELEVATIONS SHEETS 7 THRU 10 ADDITIONALLY DOOR JAMB MULLION ELEVATION ON SHEET 19A AND SCHEDULES ON SHEET 21.
- (II) SUCCESSIVE SIDELITES MAY BE INSTALLED AT RESIDENTIAL BUILDINGS AS LONG AS THE FOLLOWING PROCEDURE AND REQUIREMENTS APPLY.
 - (II.1) JAMBS ARE ATTACHED TO EXISTING SUBSTRATE AT BUILDINGS W/ANCHORAGE AS PER SCHEDULES ON SHEET 21.
 - (II.2) INTERIOR MULLIONS BETWEEN SIDELITES SHALL CONSIST OF MULLIONS DESCRIBED ON SECTIONS G,H,I,J, SHEETS 16 THRU 19, ADDITIONALLY ON SECTIONS X,Y SHEET 19A.
 - (II.3) INTERIOR MULLIONS BETWEEN SIDELITES ARE ANCHORED TOP & BOTTOM W/ANCHORAGE PER SCHEDULES SHEET 21.

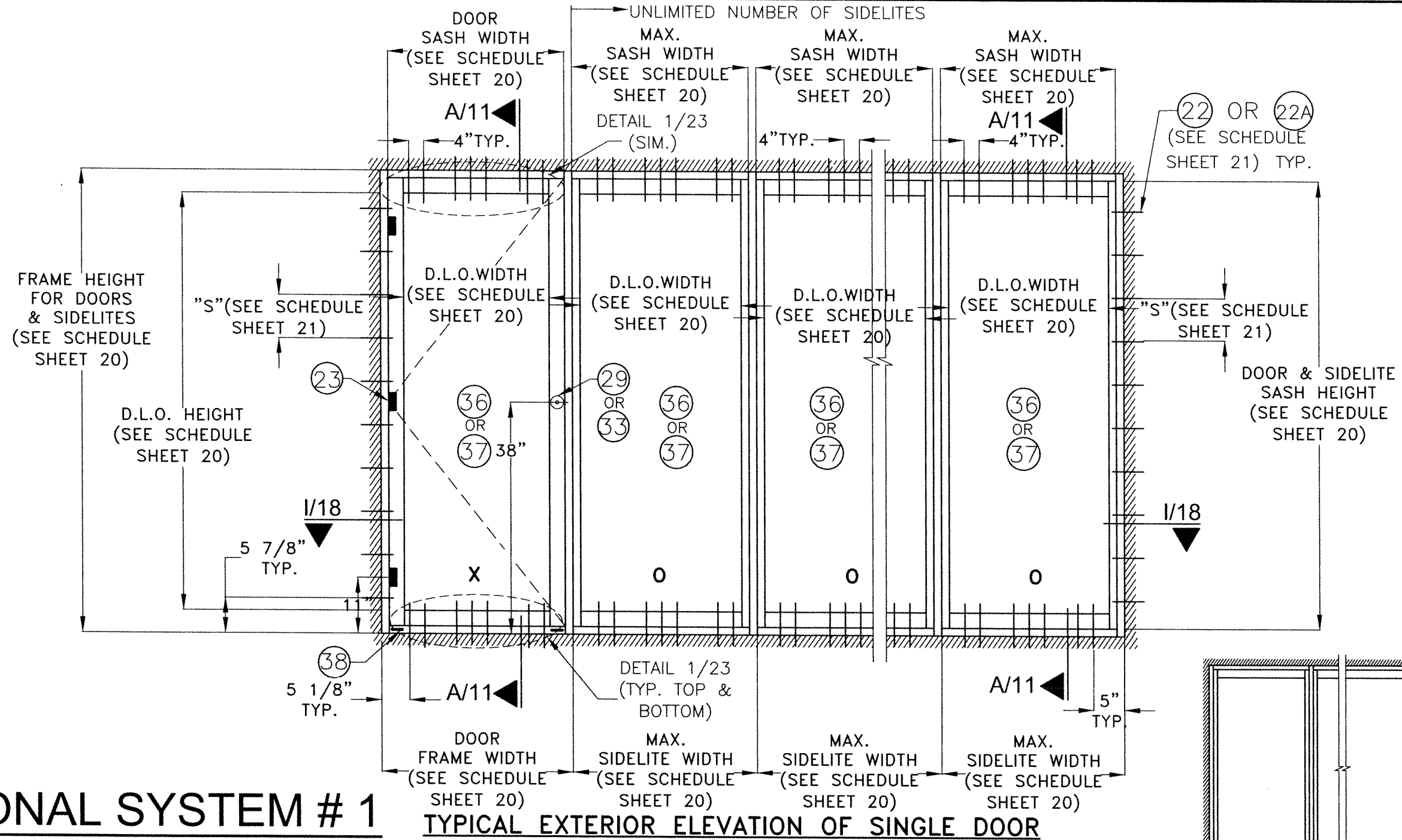
OPTIONAL SYSTEM # 1



P.E. SEAL/SIGNATURE/DATE

FLORIDA BUILDING CODE (HIGH & NON HIGH VELOCITY HURRICANE ZONE)

<p>TILTECO INC. TILLIT TESTING & ENGINEERING COMPANY 6355 N.W. 36th. St., Ste. 305, VIRGINIA GARDENS, FL 33186 Phone : (305)871-1530 . Fax : (305)871-1531 CA-0006719 WALTER A. TILLIT Jr. P.E. FLORIDA Lic. # 44167</p>		<p>SERIES 24000 LMSZ IMPACT RESISTANT OUTSWING FRENCH DOOR W/ TRANSOM OR W/ SIDELITES</p> <p>290 WEST 78 ROAD HIALEAH, FL. 33014 PH: (954)226-5555/(305)558-8103 FAX: (305)558-6665 www.gigwindows.com</p>	<p>DRAWN BY W.H.</p> <p>09/06/2023 DATE</p> <p>23-209 DRAWING No</p>											
<table border="1"> <thead> <tr> <th>REV. No</th> <th>DESCRIPTION</th> <th>DATE</th> <th>REV. No</th> <th>DESCRIPTION</th> <th>DATE</th> </tr> </thead> <tbody> <tr> <td>1</td> <td>OLD 23-156</td> <td>09/06/23</td> <td>2</td> <td></td> <td></td> </tr> </tbody> </table>	REV. No	DESCRIPTION	DATE	REV. No	DESCRIPTION	DATE	1	OLD 23-156	09/06/23	2			<p>SHEET 7 OF 45</p>	
REV. No	DESCRIPTION	DATE	REV. No	DESCRIPTION	DATE									
1	OLD 23-156	09/06/23	2											

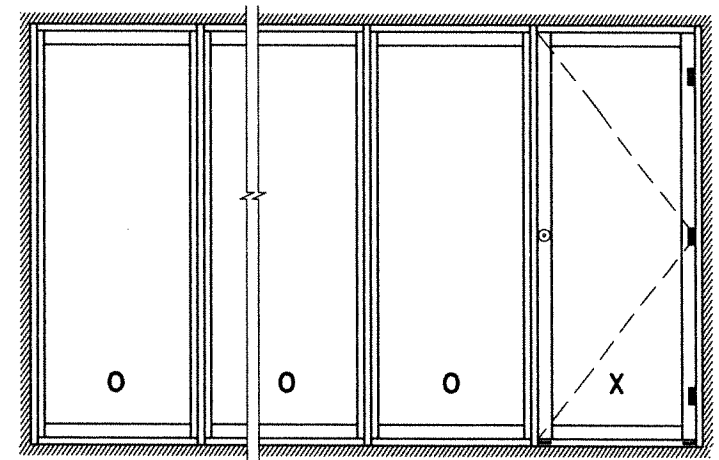


OPTIONAL SYSTEM # 1

TYPICAL EXTERIOR ELEVATION OF SINGLE DOOR W/ SIDELITES *, **

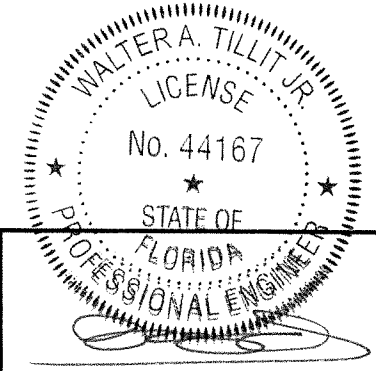
SCALE: N.T.S

- NOTE: ***
- (I) SINGLE OR DOUBLE FRENCH DOORS MAY BE COMBINED IN ANY SUCCESSIVE ARRANGEMENT JOINTLY WITH FIXED GLASS SIDELITES TO CONFORM TO ANY INSTALLATION. FOR THIS COMBINATION TO BE FEASIBLE THE FOLLOWING PROCEDURE & REQUIREMENTS SHALL BE APPLIED:
 - (I.1) INTERIOR MULLIONS BETWEEN SIDELITES SHALL ALWAYS CONSIST OF MULLION DESCRIBED ON SECTIONS G,H,I,J SHEETS 16 THRU 19, ADDITIONALLY ON SECTIONS X,Y SHEET 19A.
 - (I.2) DOOR JAMB MULLIONS SHALL CONSIST OF MULLIONS DESCRIBED ON SECTIONS G,H,I,J SHEETS 16 THRU 19, ADDITIONALLY ON SECTIONS X,Y SHEET 19A.
 - (I.3) JAMBS AT SIDELITES SHALL ALWAYS BE ATTACHED TO EXISTING SUBSTRATES W/ ANCHORS AS PER GENERAL NOTE 9, SHEET 1 & AT SPACINGS PER SCHEDULE ON SHEET 21.
 - (I.4) TOP & BOTTOM ANCHORS FOR INTERIOR MULLIONS BETWEEN SIDELITES AS WELL AS DOOR JAMB MULLIONS SHALL BE AS INDICATED ON ELEVATIONS SHEETS 7 THRU 10 ADDITIONALLY DOOR JAMB MULLION ELEVATION ON SHEET 19A AND SCHEDULES ON SHEET 21.
 - (II) SUCCESSIVE SIDELITES MAY BE INSTALLED AT RESIDENTIAL BUILDINGS AS LONG AS THE FOLLOWING PROCEDURE AND REQUIREMENTS APPLY.
 - (II.1) JAMBS ARE ATTACHED TO EXISTING SUBSTRATE AT BUILDINGS W/ ANCHORAGE AS PER SCHEDULES ON SHEET 21.
 - (II.2) INTERIOR MULLIONS BETWEEN SIDELITES SHALL CONSIST OF MULLIONS DESCRIBED ON SECTIONS G,H,I,J, SHEETS 16 THRU 19, ADDITIONALLY ON SECTIONS X,Y SHEET 19A.
 - (II.3) INTERIOR MULLIONS BETWEEN SIDELITES ARE ANCHORED TOP & BOTTOM W/ ANCHORAGE PER SCHEDULES SHEET 21.



** QUALIFIES MIRROR CONFIGURATION TOO.

FLORIDA BUILDING CODE (HIGH & NON HIGH VELOCITY HURRICANE ZONE)



9/19/2023
P.E. SEAL/SIGNATURE/DATE

©2023 TILTECO, INC.

TILTECO INC.

TILLIT TESTING & ENGINEERING COMPANY

6355 N.W. 36th. St., Ste. 305, VIRGINIA GARDENS, FL 33186
Phone : (305)871-1530 . Fax : (305)871-1531
CA-0006719

WALTER A. TILLIT Jr. P.E.
FLORIDA Lic. # 44167

SERIES 24000 LMSZ IMPACT RESISTANT OUTSWING FRENCH DOOR W/ TRANSOM OR W/ SIDELITES

GTG WINDOWS & DOORS

290 WEST 78 ROAD
HIALEAH, FL 33014
PH: (954)226-5555/(305)558-8103
FAX: (305)558-6665
www.gigwindows.com

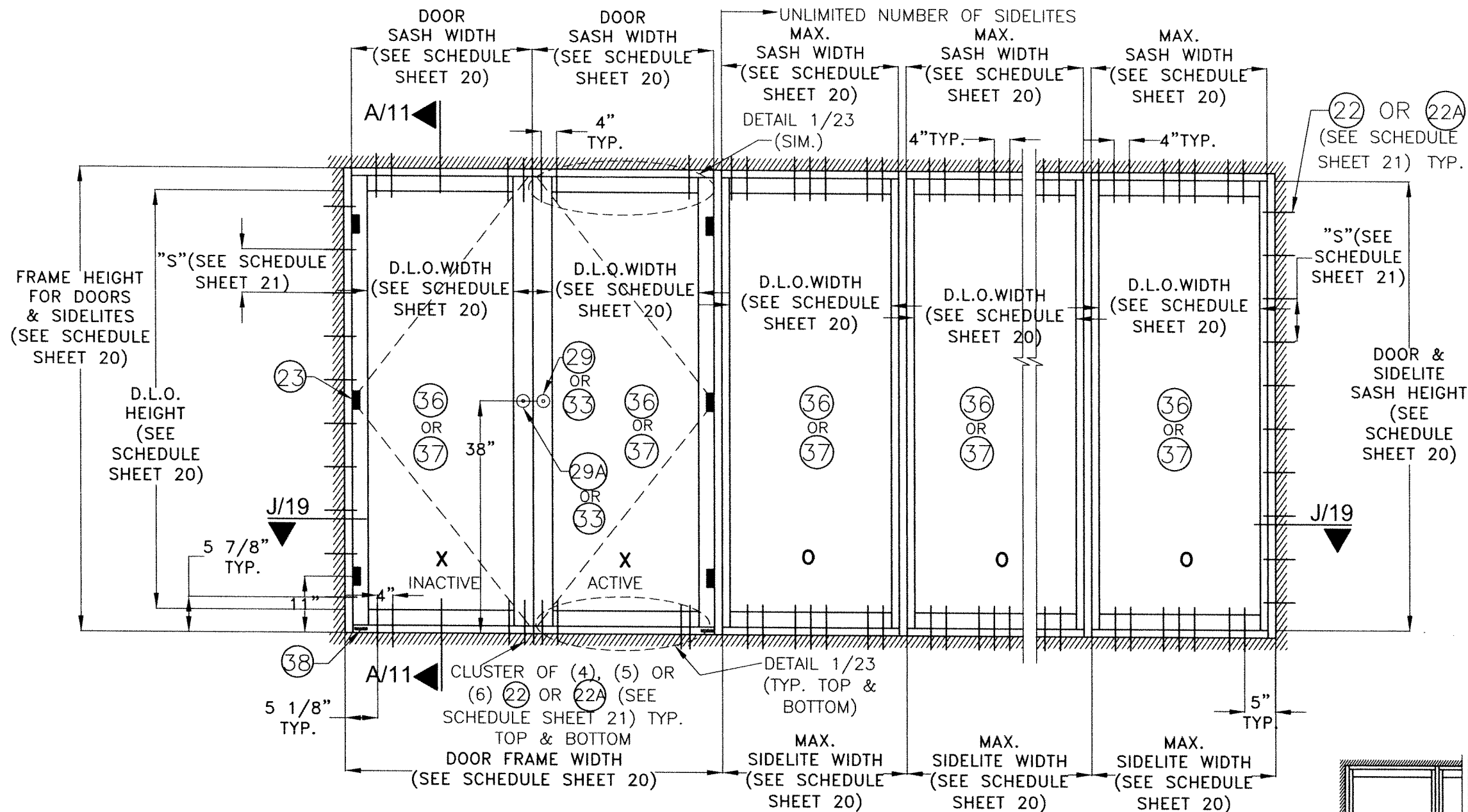
REV. No	DESCRIPTION	DATE	REV. No	DESCRIPTION	DATE
1	OLD 23-156	09/06/23	2		

DRAWN BY W.H.

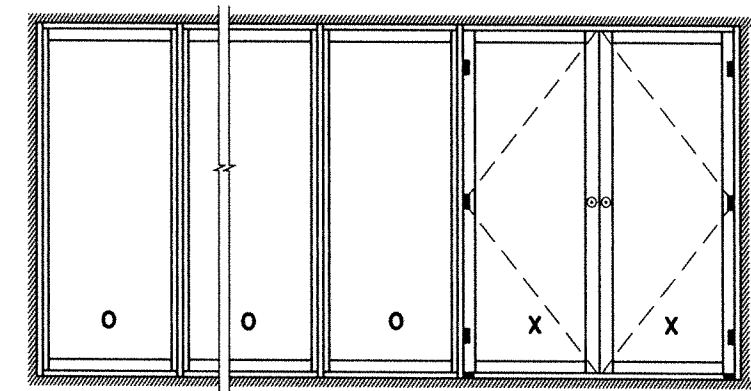
09/06/2023 DATE

23-209 DRAWING No

SHEET 9 OF 45



OPTIONAL SYSTEM # 1 **TYPICAL EXTERIOR ELEVATION OF DOUBLE DOOR W/ SIDELITES * , ****
SCALE: N.T.S



** QUALIFIES MIRROR CONFIGURATION TOO.

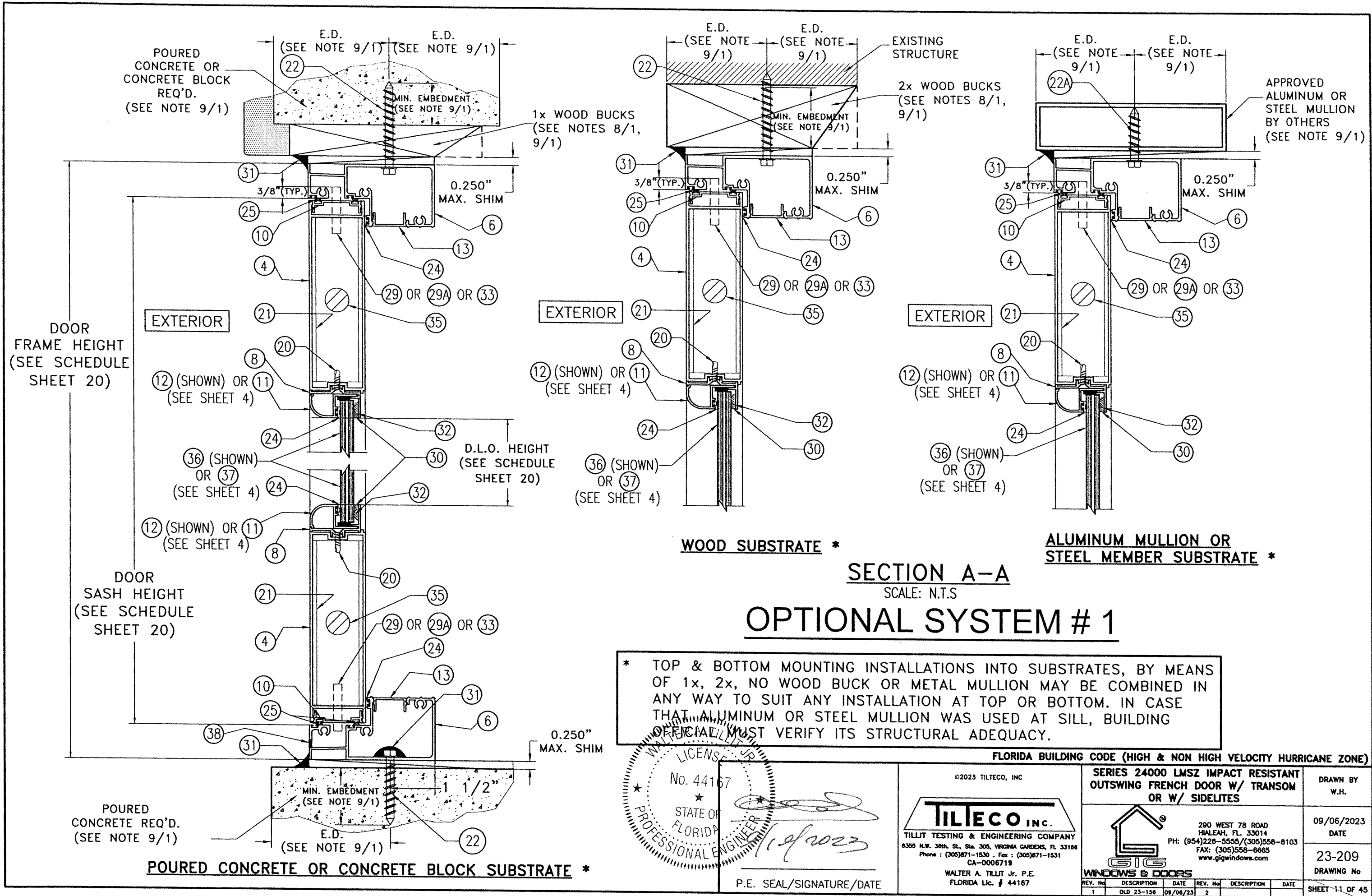
- NOTE: ***
- (I) SINGLE OR DOUBLE FRENCH DOORS MAY BE COMBINED IN ANY SUCCESSIVE ARRANGEMENT JOINTLY WITH FIXED GLASS SIDELITES TO CONFORM TO ANY INSTALLATION. FOR THIS COMBINATION TO BE FEASIBLE THE FOLLOWING PROCEDURE & REQUIREMENTS SHALL BE APPLIED:
 - (I.1) INTERIOR MULLIONS BETWEEN SIDELITES SHALL ALWAYS CONSIST OF MULLION DESCRIBED ON SECTIONS G,H,I,J SHEETS 16 THRU 19, ADDITIONALLY ON SECTIONS X,Y SHEET 19A.
 - (I.2) DOOR JAMB MULLIONS SHALL CONSIST OF MULLIONS DESCRIBED ON SECTIONS G,H,I,J SHEETS 16 THRU 19, ADDITIONALLY ON SECTIONS X,Y SHEET 19A.
 - (I.3) JAMBS AT SIDELITES SHALL ALWAYS BE ATTACHED TO EXISTING SUBSTRATES W/ ANCHORS AS PER GENERAL NOTE 9, SHEET 1 & AT SPACINGS PER SCHEDULE ON SHEET 21.
 - (I.4) TOP & BOTTOM ANCHORS FOR INTERIOR MULLIONS BETWEEN SIDELITES AS WELL AS DOOR JAMB MULLIONS SHALL BE AS INDICATED ON ELEVATIONS SHEETS Z THRU 1Q ADDITIONALLY DOOR JAMB MULLION ELEVATION ON SHEET 19A AND SCHEDULES ON SHEET 21.
 - (II) SUCCESSIVE SIDELITES MAY BE INSTALLED AT RESIDENTIAL BUILDINGS AS LONG AS THE FOLLOWING PROCEDURE AND REQUIREMENTS APPLY.
 - (II.1) JAMBS ARE ATTACHED TO EXISTING SUBSTRATE AT BUILDINGS W/ANCHORAGE AS PER SCHEDULES ON SHEET 21.
 - (II.2) INTERIOR MULLIONS BETWEEN SIDELITES SHALL CONSIST OF MULLIONS DESCRIBED ON SECTIONS G,H,I,J, SHEETS 16 THRU 19, ADDITIONALLY ON SECTIONS X,Y SHEET 19A.
 - (II.3) INTERIOR MULLIONS BETWEEN SIDELITES ARE ANCHORED TOP & BOTTOM W/ANCHORAGE PER SCHEDULES SHEET 21.

WALTER A. TILLIT JR.
LICENSE
No. 44167
STATE OF FLORIDA
PROFESSIONAL ENGINEER
WALT
9/1 2023
P.E. SEAL/SIGNATURE/DATE

©2023 TILTECO, INC.
TILTECO INC.
TILLIT TESTING & ENGINEERING COMPANY
8355 N.W. 36th. St., Ste. 305, VIRGINIA GARDENS, FL 33166
Phone : (305)871-1530 , Fax : (305)871-1531
CA-0006719
WALTER A. TILLIT Jr. P.E.
FLORIDA Lic. # 44167

SERIES 24000 LMSZ IMPACT RESISTANT OUTSWING FRENCH DOOR W/ TRANSOM OR W/ SIDELITES			DRAWN BY W.H.
			09/06/2023 DATE
290 WEST 78 ROAD HIALEAH, FL 33014 PH: (954)226-5555/(305)558-8103 FAX: (305)558-6665 www.gigwindows.com			23-209 DRAWING No
REV. No 1	DESCRIPTION OLD 23-156	DATE 09/06/23	REV. No 2
			SHEET 10 OF 45

FLORIDA BUILDING CODE (HIGH & NON HIGH VELOCITY HURRICANE ZONE)



DOOR FRAME HEIGHT
(SEE SCHEDULE SHEET 20)

EXTERIOR

12 (SHOWN) OR 11
(SEE SHEET 4)

36 (SHOWN) OR 37
(SEE SHEET 4)

12 (SHOWN) OR 11
(SEE SHEET 4)

DOOR SASH HEIGHT
(SEE SCHEDULE SHEET 20)

POURED CONCRETE REQ'D.
(SEE NOTE 9/1)

POURED CONCRETE OR CONCRETE BLOCK SUBSTRATE *

EXTERIOR

12 (SHOWN) OR 11
(SEE SHEET 4)

36 (SHOWN) OR 37
(SEE SHEET 4)

WOOD SUBSTRATE *

EXTERIOR

12 (SHOWN) OR 11
(SEE SHEET 4)

36 (SHOWN) OR 37
(SEE SHEET 4)

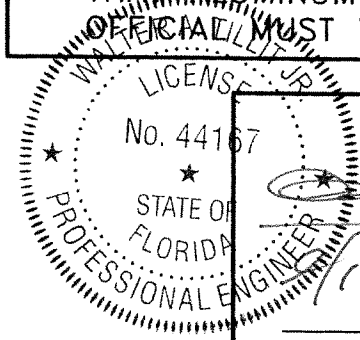
ALUMINUM MULLION OR STEEL MEMBER SUBSTRATE *

SECTION A-A

SCALE: N.T.S

OPTIONAL SYSTEM # 1

* TOP & BOTTOM MOUNTING INSTALLATIONS INTO SUBSTRATES, BY MEANS OF 1x, 2x, NO WOOD BUCK OR METAL MULLION MAY BE COMBINED IN ANY WAY TO SUIT ANY INSTALLATION AT TOP OR BOTTOM. IN CASE THAT ALUMINUM OR STEEL MULLION WAS USED AT SILL, BUILDING MUST VERIFY ITS STRUCTURAL ADEQUACY.



P.E. SEAL/SIGNATURE/DATE

©2023 TILTECO, INC.

TILTECO INC.

TILLIT TESTING & ENGINEERING COMPANY
6305 N.W. 36th St., Ste. 305, VIRGINIA GARDENS, FL 33168
Phone : (305)871-1530 . Fax : (305)871-1531
CA-0006719

WALTER A. TILLIT Jr. P.E.
FLORIDA Lic. # 44167

FLORIDA BUILDING CODE (HIGH & NON HIGH VELOCITY HURRICANE ZONE)

SERIES 24000 LMSZ IMPACT RESISTANT
OUTSWING FRENCH DOOR W/ TRANSOM
OR W/ SIDELITES

290 WEST 78 ROAD
HIALEAH, FL 33014
PH: (954)228-5555/(305)558-8103
FAX: (305)558-6665
www.gigwindows.com

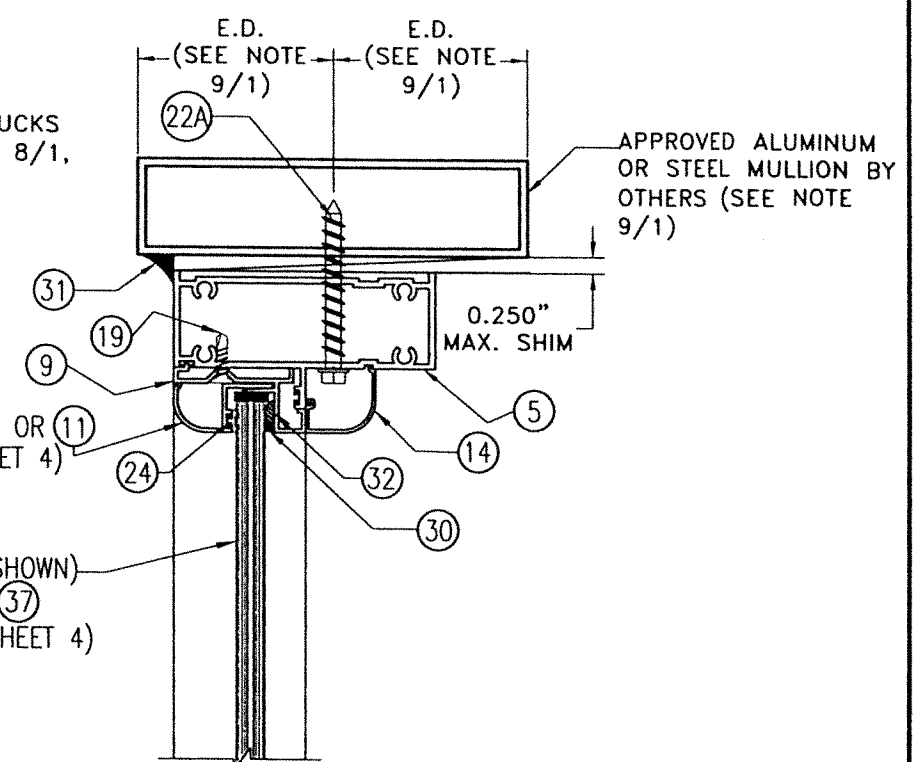
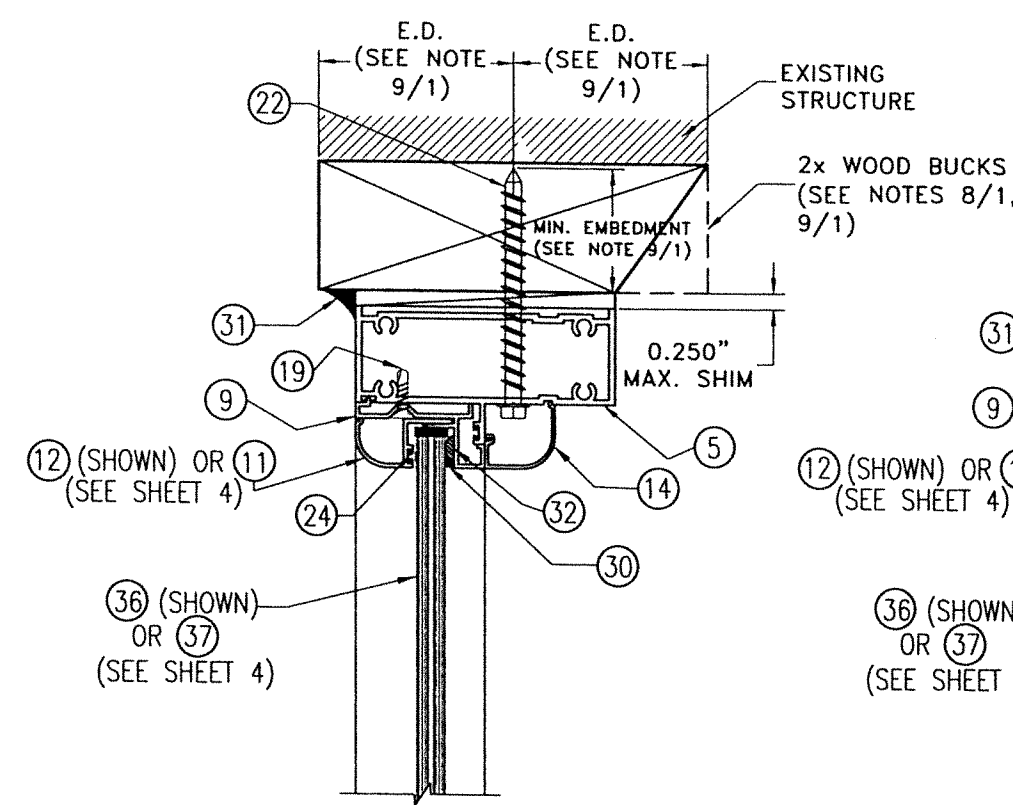
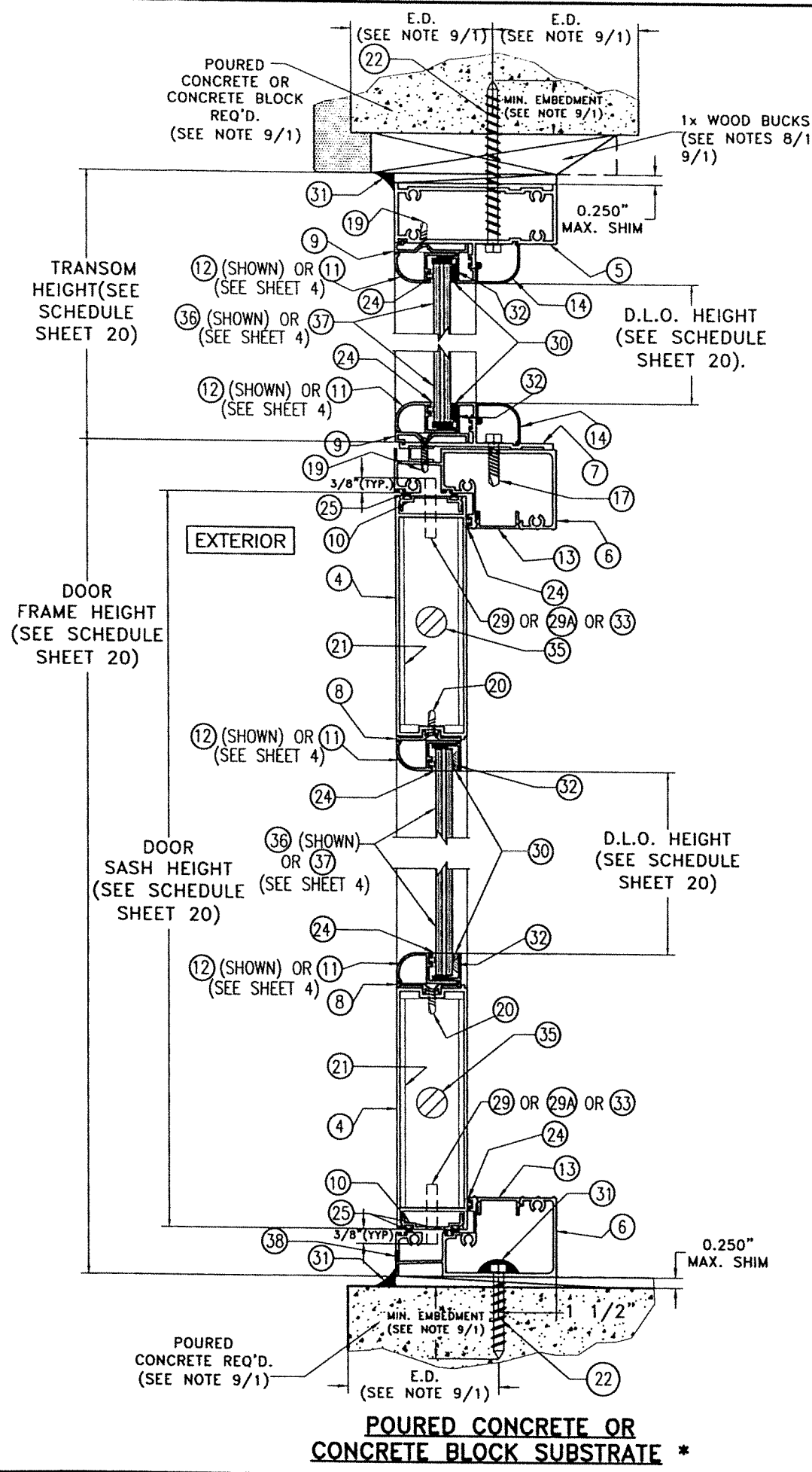
DRAWN BY
W.H.

09/06/2023
DATE

23-209
DRAWING No

REV. No	DESCRIPTION	DATE	REV. No	DESCRIPTION	DATE
1	OLD 23-156	09/06/23	2		

SHEET 1.1 OF 45



WOOD SUBSTRATE *

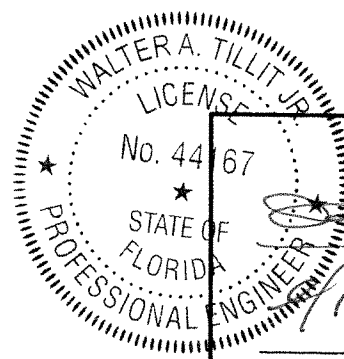
ALUMINUM MULLION OR STEEL MEMBER SUBSTRATE *

SECTION B-B

SCALE: N.T.S.

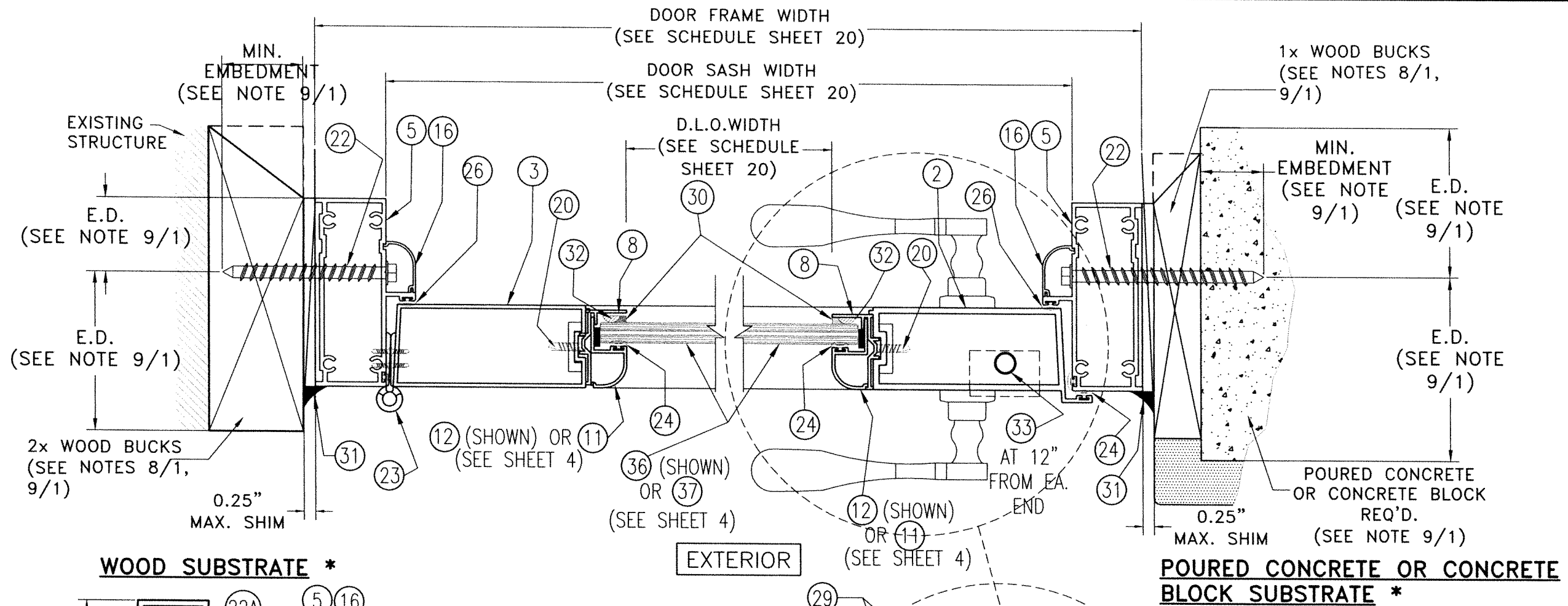
OPTIONAL SYSTEM # 1

* TOP & BOTTOM MOUNTING INSTALLATIONS INTO SUBSTRATES, BY MEANS OF 1x, 2x, NO WOOD BUCK OR METAL MULLION MAY BE COMBINED IN ANY WAY TO SUIT ANY INSTALLATION AT TOP OR BOTTOM. IN CASE THAT ALUMINUM OR STEEL MULLION WAS USED AT SILL, BUILDING OFFICIAL MUST VERIFY ITS STRUCTURAL ADEQUACY.



Walter A. Tillit Jr.
P.E. SEAL/SIGNATURE/DATE

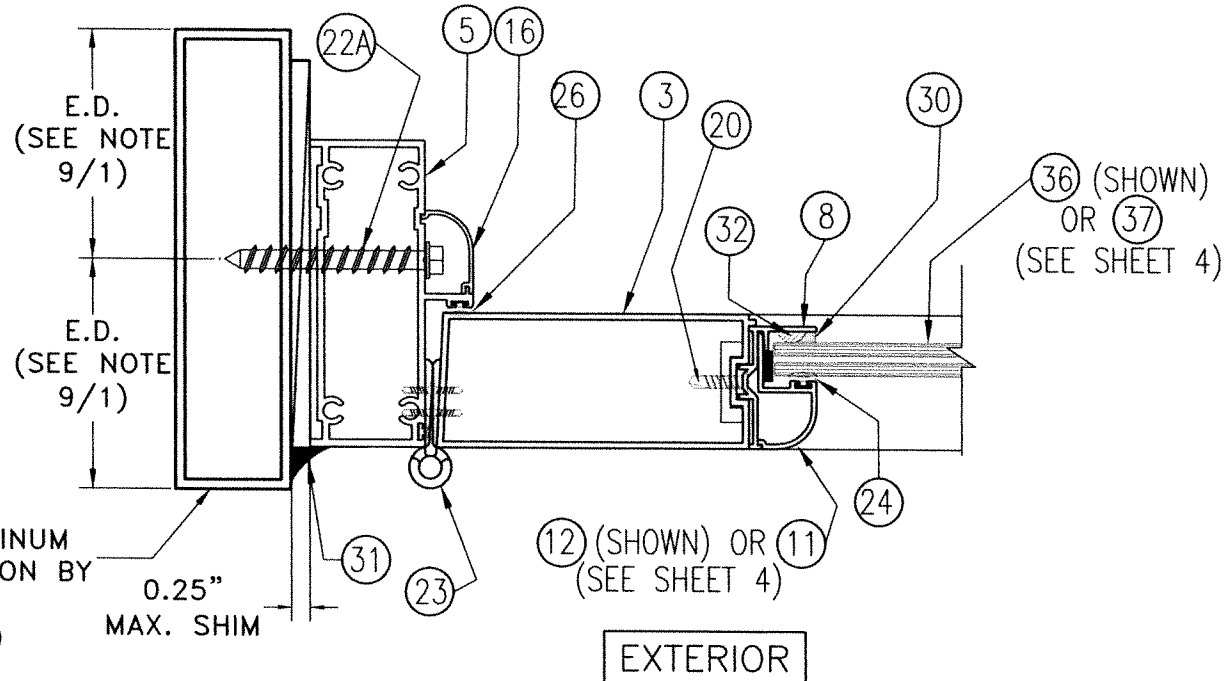
FLORIDA BUILDING CODE (HIGH & NON HIGH VELOCITY HURRICANE ZONE)		DRAWN BY W.H.	
©2023 TILTECO, INC. TILTECO INC. TILLIT TESTING & ENGINEERING COMPANY 8325 N.W. 36th St., Ste. 305, VIRGINIA GARDENS, FL 33166 Phone: (305)871-1530 • Fax: (305)871-1531 CA-0008719 WALTER A. TILLIT Jr. P.E. FLORIDA Lic. # 44167		SERIES 24000 LMSZ IMPACT RESISTANT OUTSWING FRENCH DOOR W/ TRANSOM OR W/ SIDELITES	
		290 WEST 78 ROAD HIALEAH, FL 33014 PH: (954)226-5555/(305)558-8103 FAX: (305)558-6665 www.gigwindows.com	
WALTER A. TILLIT Jr. P.E. FLORIDA Lic. # 44167		09/06/2023 DATE	
23-209 DRAWING No		23-209 DRAWING No	
1 OLD 23-156 09/06/23 2		SHEET 12 OF 45	



WOOD SUBSTRATE *

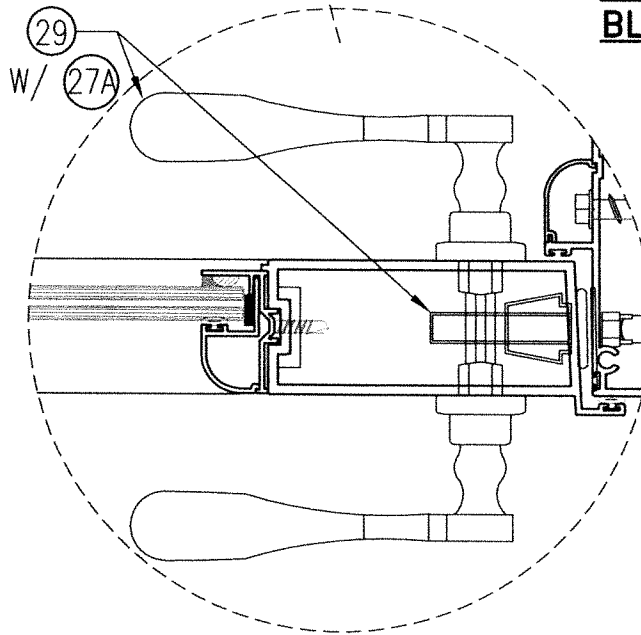
EXTERIOR

POURED CONCRETE OR CONCRETE BLOCK SUBSTRATE *



ALUMINUM MULLION OR STEEL MEMBER SUBSTRATE *

EXTERIOR



VARIANCE W/ 29

* JAMB MOUNTING INSTALLATIONS INTO SUBSTRATES, BY MEANS OF 1x, 2x, NO WOOD BUCK OR METAL MULLION MAY BE COMBINED IN ANY WAY TO SUIT ANY INSTALLATION AT JAMBS.

SECTION D-D @ SINGLE DOOR

SCALE: N.T.S

OPTIONAL SYSTEM # 1

WALTER A. TILLIT JR.
 LICENSE
 No. 44167
 STATE OF FLORIDA
 PROFESSIONAL ENGINEER
 P.E. SEAL/SIGNATURE/DATE

©2023 TILTECO, INC.
TILTECO INC.
 TILLIT TESTING & ENGINEERING COMPANY
 6355 N.W. 36th. St., Ste. 305, VIRGINIA GARDENS, FL 33166
 Phone : (305)871-1530 . Fax : (305)871-1531
 CA-0006719
 WALTER A. TILLIT Jr. P.E.
 FLORIDA Lic. # 44167

FLORIDA BUILDING CODE (HIGH & NON HIGH VELOCITY HURRICANE ZONE)

SERIES 24000 LMSZ IMPACT RESISTANT OUTSWING FRENCH DOOR W/ TRANSOM OR W/ SIDELITES

DRAWN BY W.H.

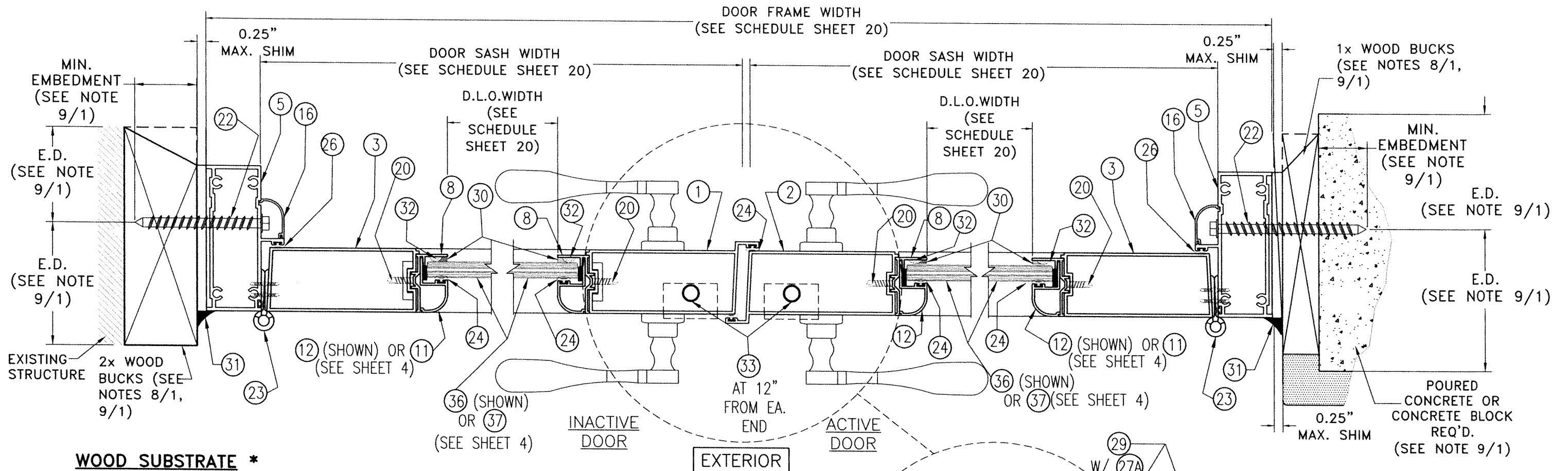
09/06/2023 DATE

23-209 DRAWING No

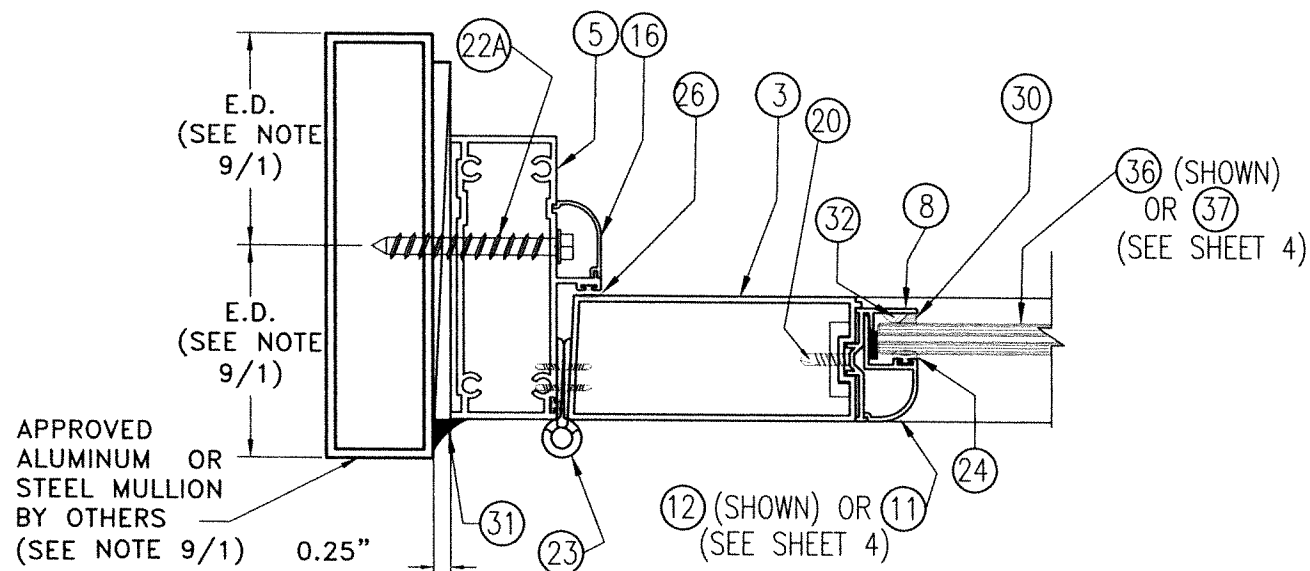
WALTER A. TILLIT JR. P.E.
 290 WEST 78 ROAD
 HIALEAH, FL 33014
 PH: (954)226-5555/(305)558-8103
 FAX: (305)558-6665
 www.gigwindows.com

REV. No	DESCRIPTION	DATE	REV. No	DESCRIPTION	DATE
1	OLD 23-156	09/06/23	2		

SHEET 13 OF 45



WOOD SUBSTRATE *

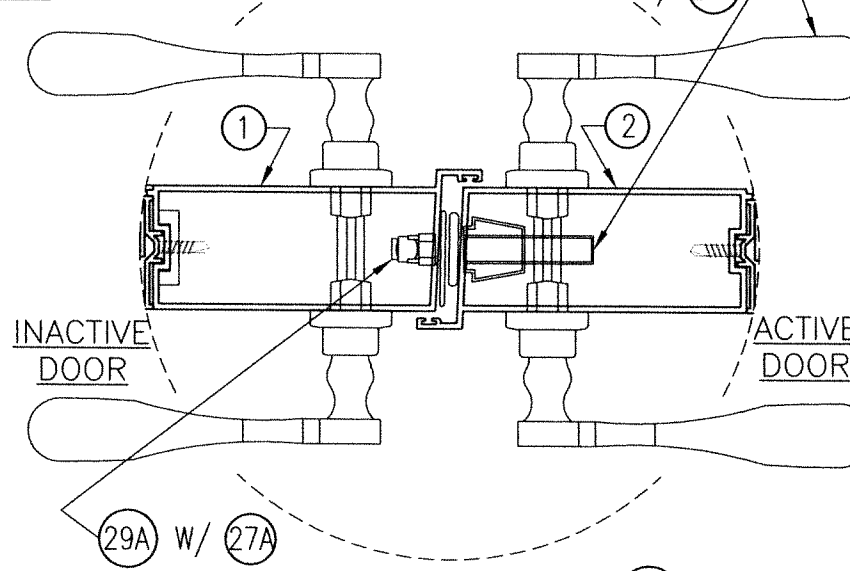


**ALUMINUM MULLION
OR STEEL MEMBER
SUBSTRATE ***

SECTION E-E @ DOUBLE DOOR

SCALE: N.T.S

OPTIONAL SYSTEM # 1



**POURED CONCRETE
OR CONCRETE
BLOCK SUBSTRATE ***

* JAMB MOUNTING INSTALLATIONS INTO SUBSTRATES, BY MEANS OF 1x, 2x, NO WOOD BUCK OR METAL MULLION MAY BE COMBINED IN ANY WAY TO SUIT ANY INSTALLATION AT JAMBS.

VARIANCE W/ 29 & 29A

WALTER A. TILLIT JR.
LICENSE
No. 44167
STATE OF FLORIDA
PROFESSIONAL ENGINEER
P.E. SEAL/SIGNATURE/DATE

FLORIDA BUILDING CODE (HIGH & NON HIGH VELOCITY HURRICANE ZONE)

©2023 TILTECO, INC.

TILTECO INC.
TILLIT TESTING & ENGINEERING COMPANY
6355 N.W. 36th. St., Ste. 305, VIRGINIA GARDENS, FL 33186
Phone : (305)871-1530 . Fax : (305)871-1531
CA-0006719

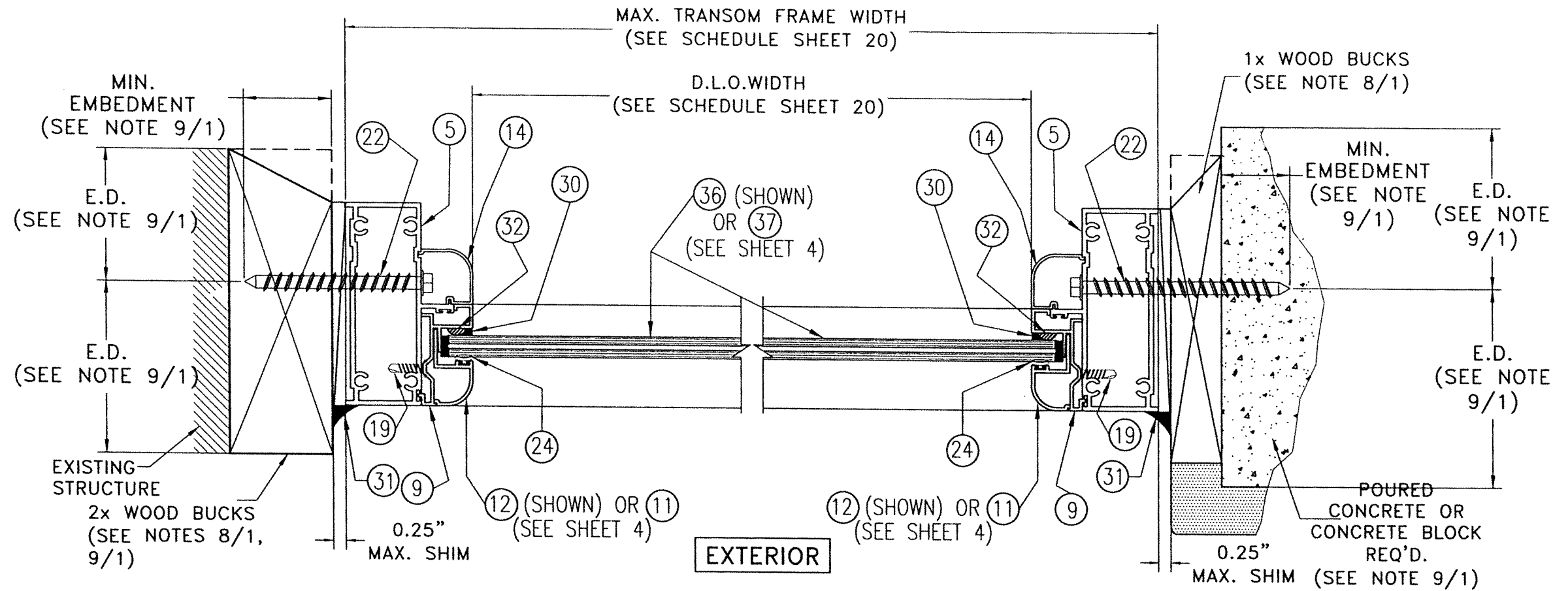
WALTER A. TILLIT Jr. P.E.
FLORIDA Lic. # 44167

**SERIES 24000 LMSZ IMPACT RESISTANT
OUTSWING FRENCH DOOR W/ TRANSOM
OR W/ SIDELITES**

290 WEST 78 ROAD
HALEAH, FL. 33014
PH: (954)226-5555/(305)558-8103
FAX: (305)558-8665
www.gigwindows.com

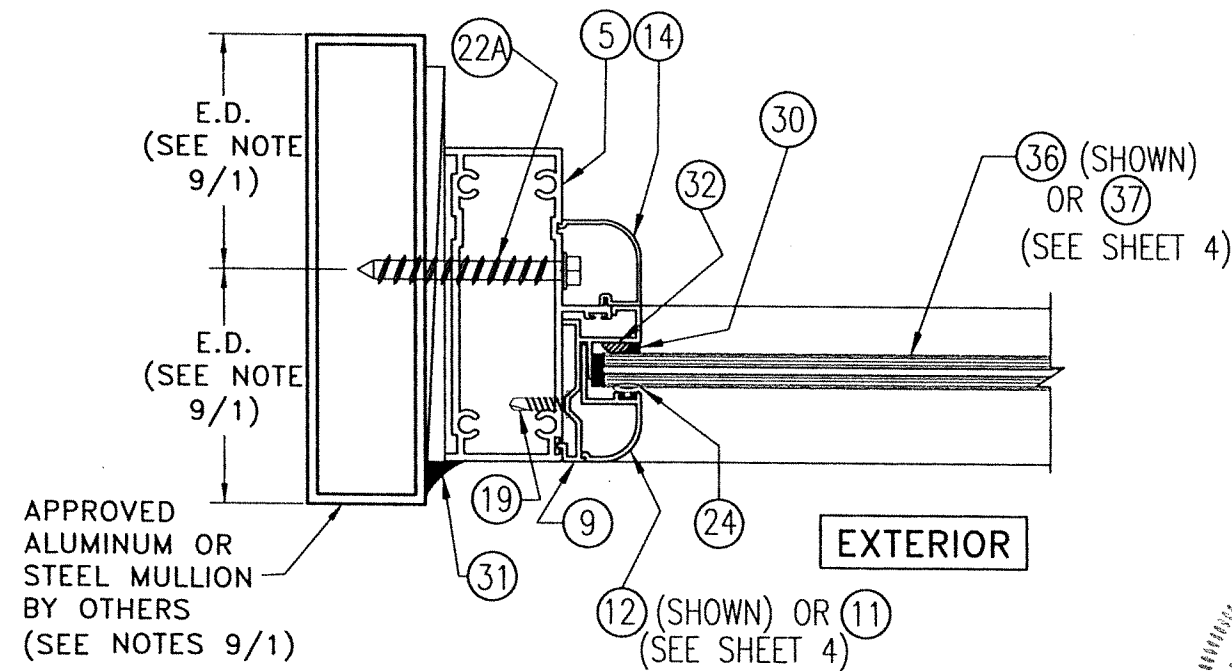
REV. No	DESCRIPTION	DATE	REV. No	DESCRIPTION	DATE
1	OLD 23-156	09/06/23	2		

DRAWN BY W.H.
DATE 09/06/2023
DRAWING No 23-209
SHEET 14 OF 45



WOOD SUBSTRATE *

POURED CONCRETE OR CONCRETE BLOCK SUBSTRATE *



ALUMINUM MULLION OR STEEL MEMBER SUBSTRATE *

* JAMB MOUNTING INSTALLATIONS INTO SUBSTRATES, BY MEANS OF 1x, 2x, NO WOOD BUCK OR METAL MULLION MAY BE COMBINED IN ANY WAY TO SUIT ANY INSTALLATION AT JAMBS.

SECTION F-F @ TRANSOM

SCALE: N.T.S

OPTIONAL SYSTEM # 1

WALTER A. TILLIT JR.
LICENSE
No. 44167
STATE OF FLORIDA
PROFESSIONAL ENGINEER
[Signature]
P.E. SEAL/SIGNATURE/DATE

FLORIDA BUILDING CODE (HIGH & NON HIGH VELOCITY HURRICANE ZONE)

©2023 TILTECO, INC.

TILTECO INC.
TILLIT TESTING & ENGINEERING COMPANY
6355 N.W. 34th St., Ste. 305, VIRGINIA GARDENS, FL 33166
Phone: (305)871-1530 Fax: (305)871-1531
CA-0006719
WALTER A. TILLIT Jr. P.E.
FLORIDA Lic. # 44167

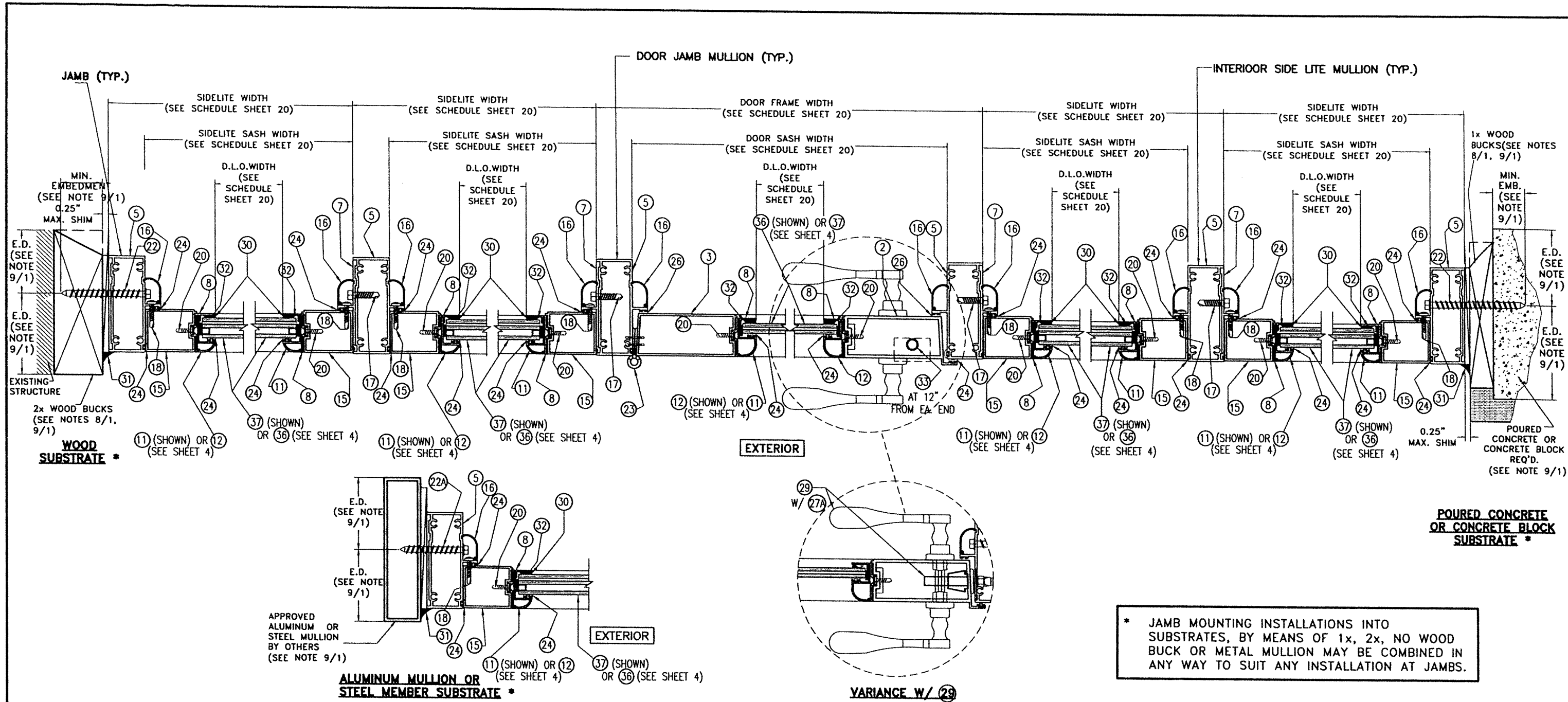
SERIES 24000 LMSZ IMPACT RESISTANT OUTSWING FRENCH DOOR W/ TRANSOM OR W/ SIDELITES

290 WEST 78 ROAD
HALEAH, FL 33014
PH: (954)226-5555/(305)558-8103
FAX: (305)558-6665
www.gigwindows.com

DRAWN BY W.H.
DATE 09/06/2023
DRAWING No 23-209

REV. No	DESCRIPTION	DATE	REV. No	DESCRIPTION	DATE
1	OLD 23-156	09/06/23	2		

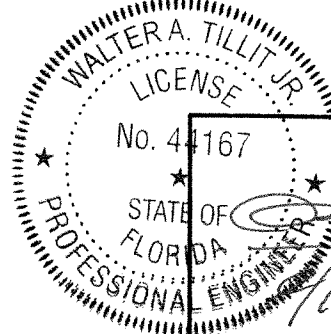
SHEET 15 OF 45



SECTION G-G SINGLE DOOR W/ SIDELITES

SCALE: N.T.S

OPTIONAL SYSTEM # 1



P.E. SEAL/SIGNATURE/DATE

FLORIDA BUILDING CODE (HIGH & NON HIGH VELOCITY HURRICANE ZONE)

©2023 TILTECO, INC

TILTECO INC.

TILLIT TESTING & ENGINEERING COMPANY
 6305 N.W. 38th St., Ste. 305, VIRGINIA GARDENS, FL 33166
 Phone : (305)871-1530 . Fax : (305)871-1531
 CA-0008719

WALTER A. TILLIT Jr. P.E.
 FLORIDA Lic. # 44187

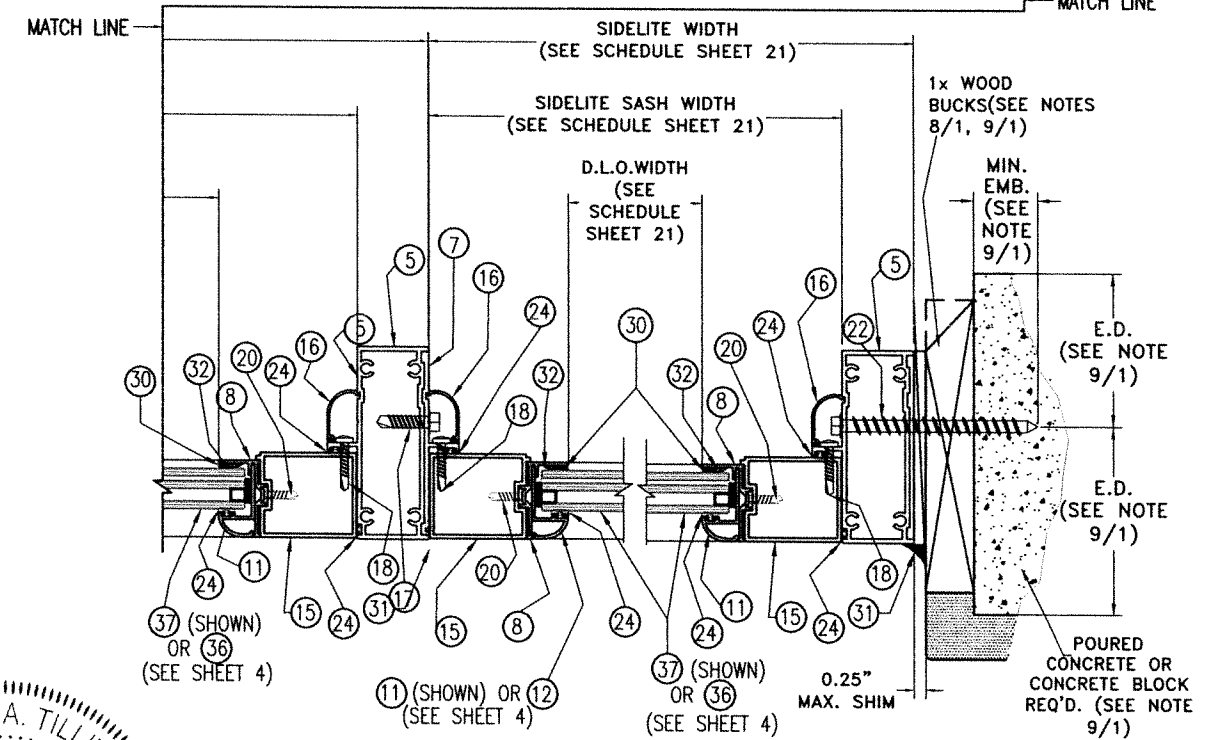
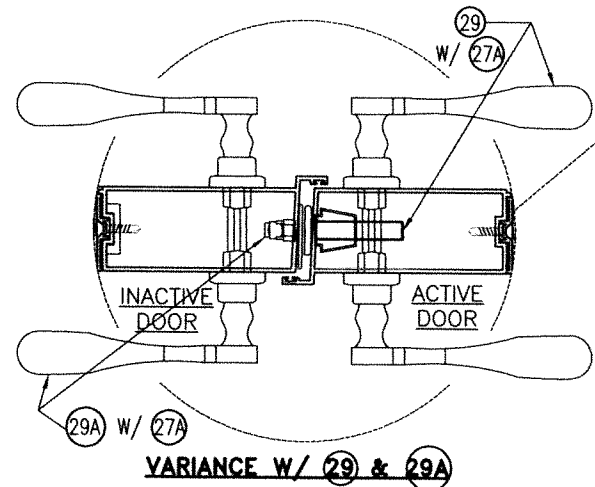
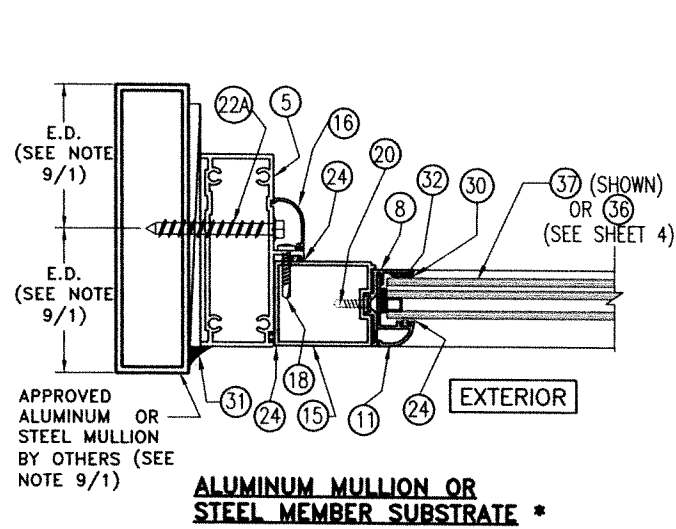
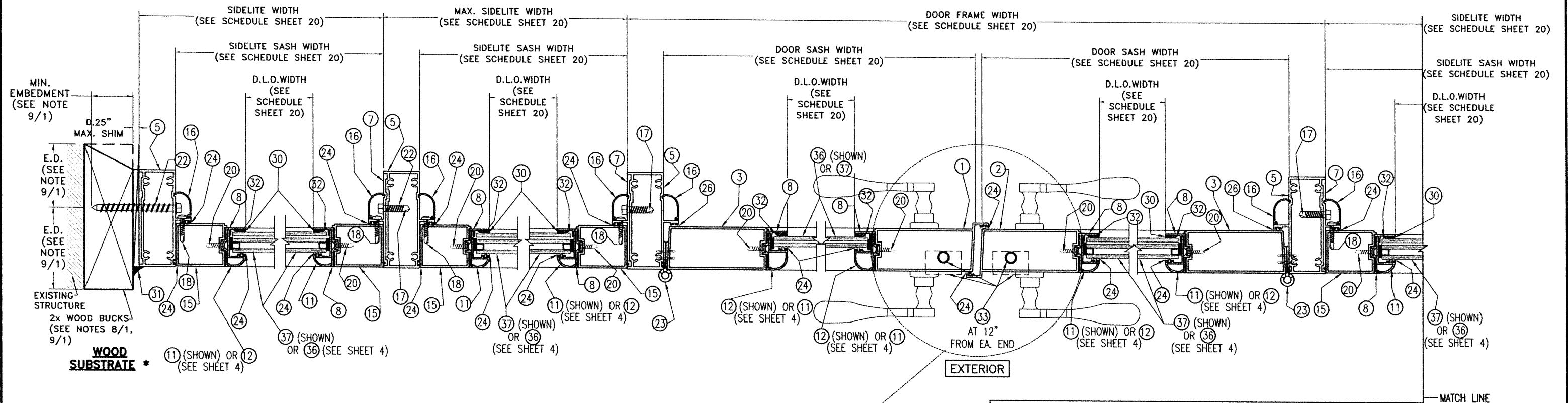
**SERIES 24000 LMSZ IMPACT RESISTANT
 OUTSWING FRENCH DOOR W/ TRANSOM
 OR W/ SIDELITES**

GIG WINDOWS & DOORS

290 WEST 78 ROAD
 HIALEAH, FL 33014
 PH: (954)226-5555/(305)558-8103
 FAX: (305)558-6665
 www.gigwindows.com

DRAWN BY	W.H.
DATE	09/06/2023
DRAWING No	23-209
SHEET	16 OF 45

REV. No	DESCRIPTION	DATE	REV. No	DESCRIPTION	DATE
1	OLD 23-156	09/06/23	2		



* JAMB MOUNTING INSTALLATIONS INTO SUBSTRATES, BY MEANS OF 1x, 2x, NO WOOD BUCK OR METAL MULLION MAY BE COMBINED IN ANY WAY TO SUIT ANY INSTALLATION AT JAMBS.

SECTION H-H DOUBLE DOOR W/ SIDELITES

SCALE: N.T.S

OPTIONAL SYSTEM # 1

WALTER A. TILLIT JR.
LICENSE
No. 44167
STATE OF FLORIDA
PROFESSIONAL ENGINEER
9/19/2023
P.E. SEAL/SIGNATURE/DATE

©2023 TILTECO, INC.
TILTECO INC.
TILLIT TESTING & ENGINEERING COMPANY
6355 N.W. 36th. St., Ste. 305, VIRGINIA GARDENS, FL 33168
Phone : (305)871-1530 . Fax : (305)871-1531
CA-0006719
WALTER A. TILLIT Jr. P.E.
FLORIDA Lic. # 44167

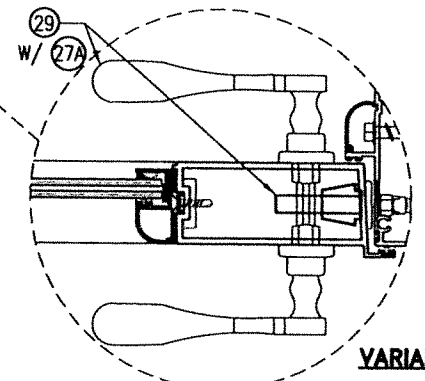
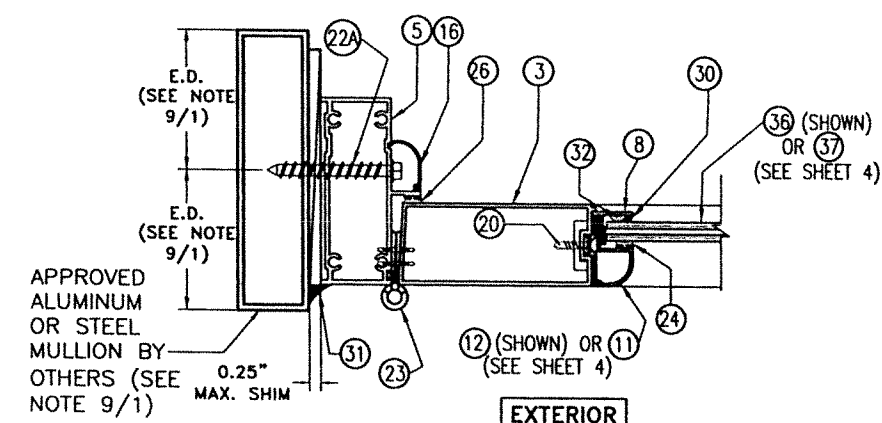
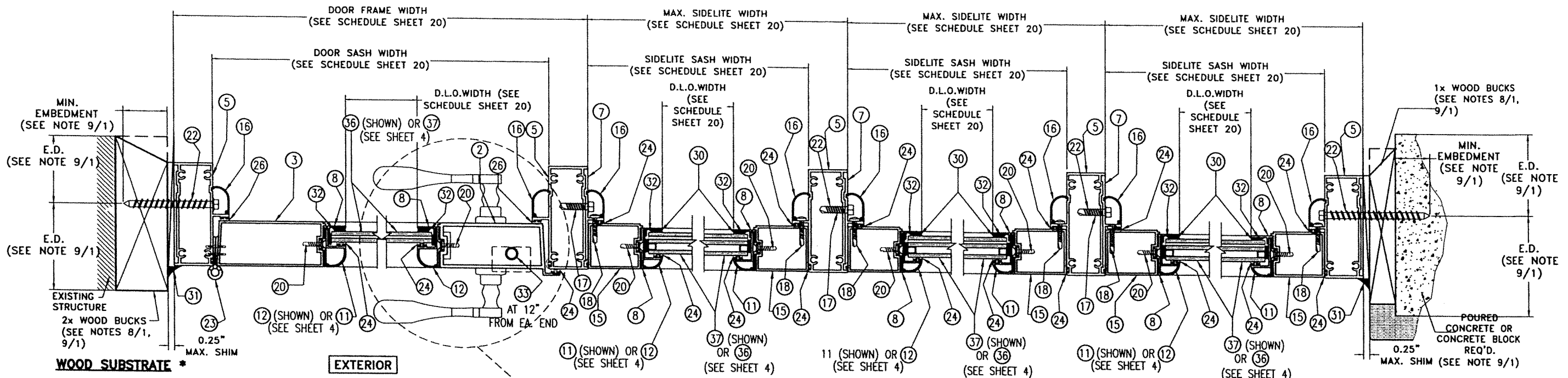
FLORIDA BUILDING CODE (HIGH & NON HIGH VELOCITY HURRICANE ZONE)
**SERIES 24000 LMSZ IMPACT RESISTANT
OUTSWING FRENCH DOOR W/ TRANSOM
OR W/ SIDELITES**

290 WEST 78 ROAD
HIALEAH, FL. 33014
PH: (954)226-5555/(305)558-8103
FAX: (305)558-6665
www.gigwindows.com

23-209
DRAWING No

DRAWN BY
W.H.
09/06/2023
DATE
23-209
DRAWING No
SHEET 17 OF 45

REV. No	DESCRIPTION	DATE	REV. No	DESCRIPTION	DATE
1	OLD 23-156	09/06/23	2		



* JAMB MOUNTING INSTALLATIONS INTO SUBSTRATES, BY MEANS OF 1x, 2x, NO WOOD BUCK OR METAL MULLION MAY BE COMBINED IN ANY WAY TO SUIT ANY INSTALLATION AT JAMBS.

SECTION I-I SINGLE DOOR W/ SIDELITES

SCALE: N.T.S

OPTIONAL SYSTEM # 1

WALTER A. TILLIT JR.
 LICENSE
 No. 44167
 STATE OF FLORIDA
 PROFESSIONAL ENGINEER
W.A. Tillit Jr.
 P.E. SEAL/SIGNATURE/DATE

FLORIDA BUILDING CODE (HIGH & NON HIGH VELOCITY HURRICANE ZONE)

©2023 TILTECO, INC

TILTECO INC.
 TILLIT TESTING & ENGINEERING COMPANY
 8355 N.W. 36th. St., Ste. 305, VIRGINIA GARDENS, FL 33166
 Phone : (305)871-1530 . Fax : (305)871-1531
 CA-0008719

WALTER A. TILLIT Jr. P.E.
 FLORIDA Lic. # 44167

**SERIES 24000 LMSZ IMPACT RESISTANT
 OUTSWING FRENCH DOOR W/ TRANSOM
 OR W/ SIDELITES**

290 WEST 78 ROAD
 HIALEAH, FL 33014
 PH: (954)226-5555/(305)558-8103
 FAX: (305)558-6665
 www.gigwindows.com

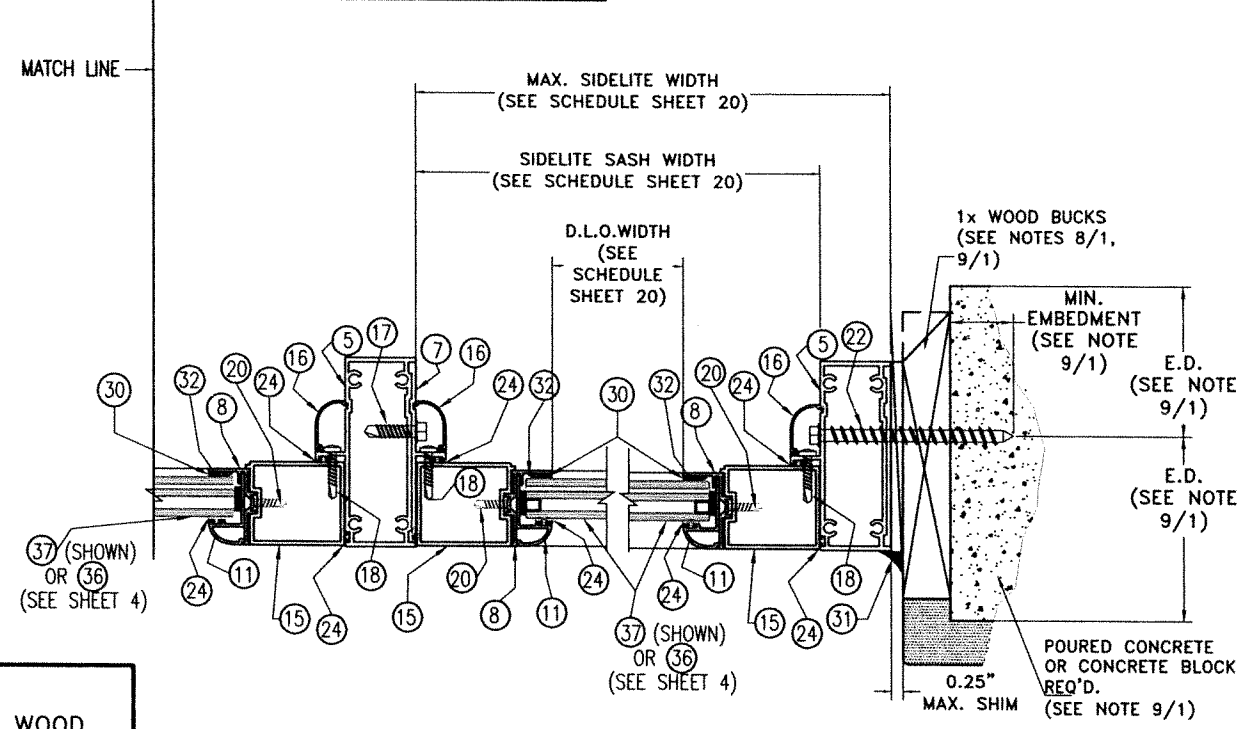
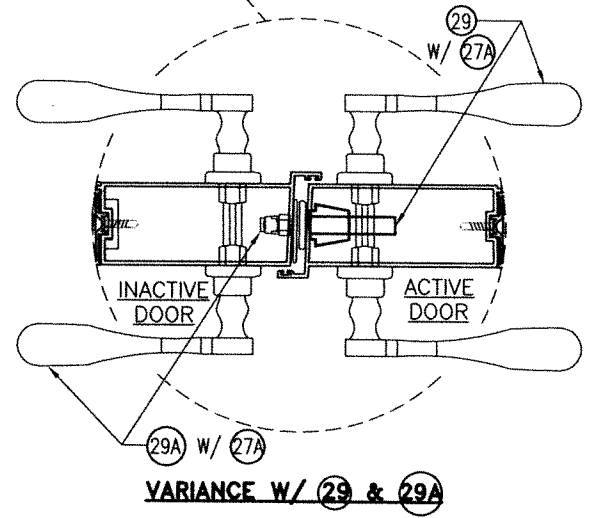
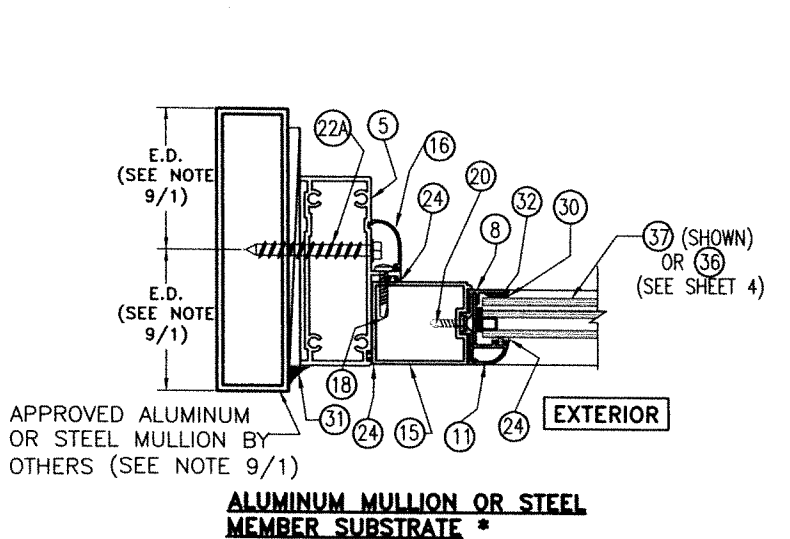
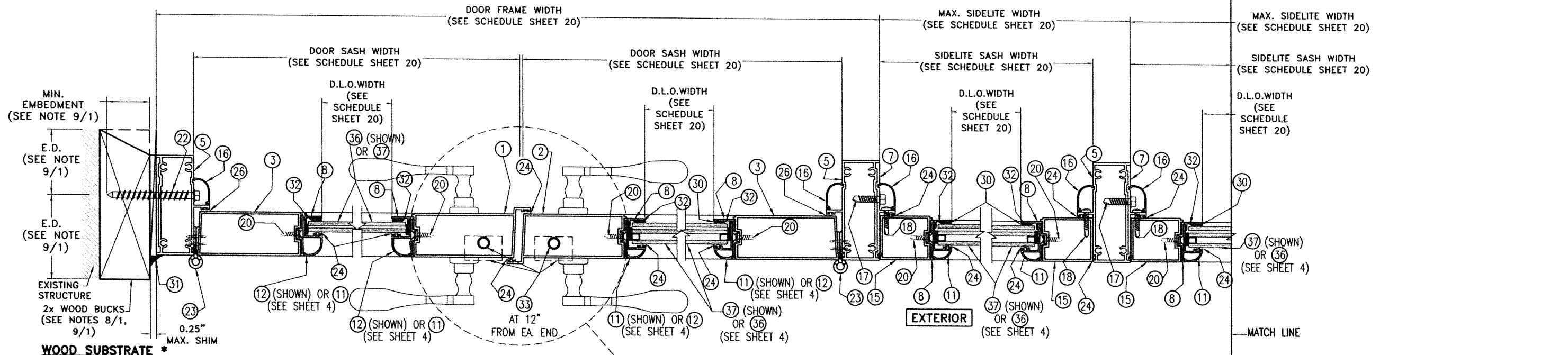
DRAWN BY
 W.H.

09/06/2023
 DATE

23-209
 DRAWING No

REV. No	DESCRIPTION	DATE	REV. No	DESCRIPTION	DATE
1	OLD 23-156	09/06/23	2		

SHEET 18 OF 45



* JAMB MOUNTING INSTALLATIONS INTO SUBSTRATES, BY MEANS OF 1x, 2x, NO WOOD BUCK OR METAL MULLION MAY BE COMBINED IN ANY WAY TO SUIT ANY INSTALLATION AT JAMBS.

SECTION J-J DOUBLE DOOR W/ SIDELITES

SCALE: N.T.S

OPTIONAL SYSTEM # 1

WALTER A. TILLIT JR.
LICENSE
No. 44167
STATE OF FLORIDA
PROFESSIONAL ENGINEER
eji ef 2023
P.E. SEAL/SIGNATURE/DATE

FLORIDA BUILDING CODE (HIGH & NON HIGH VELOCITY HURRICANE ZONE)

©2023 TILTECO, INC.

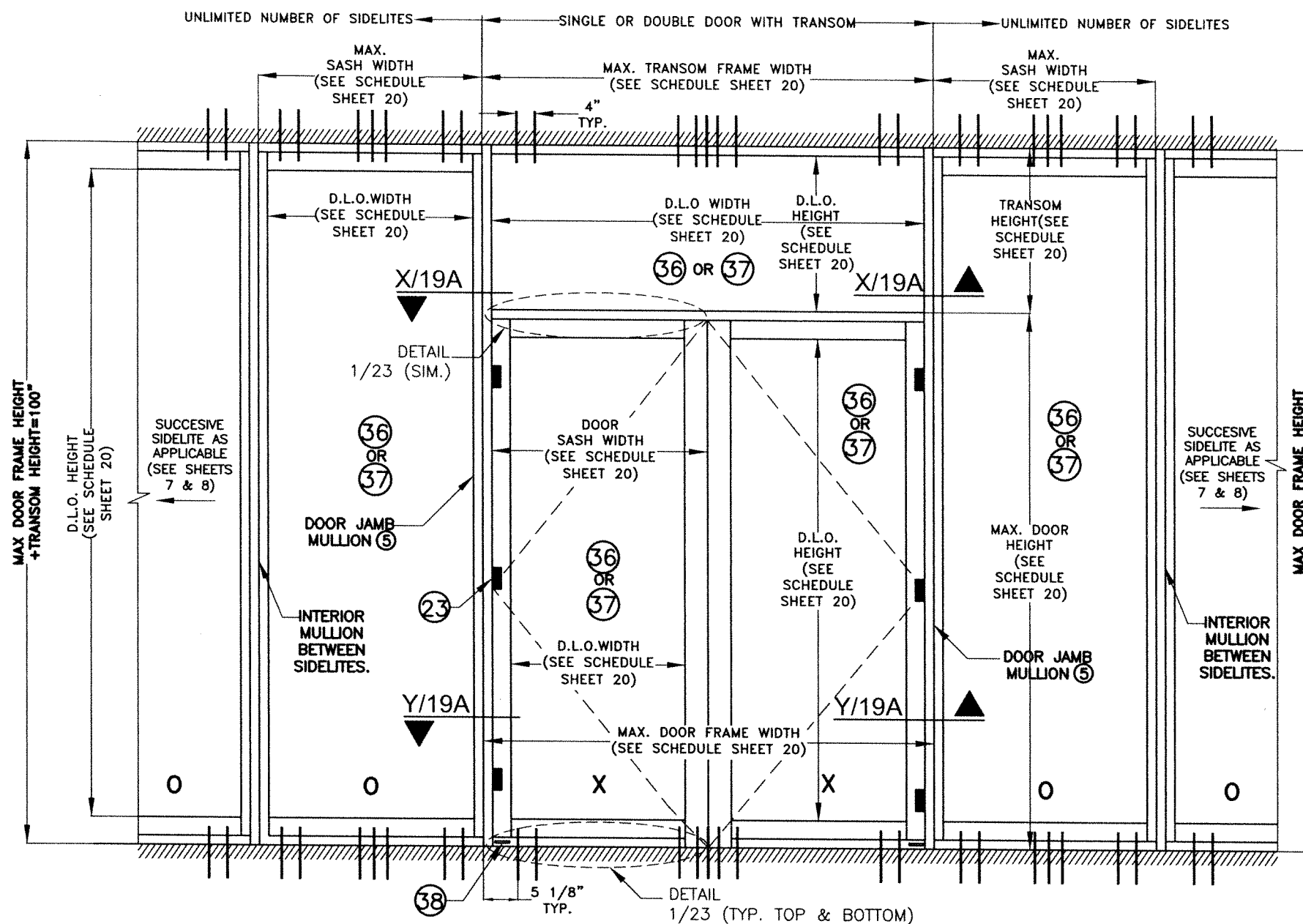
TILTECO INC.
TILLIT TESTING & ENGINEERING COMPANY
6355 N.W. 36th St., Ste. 305, VIRGINIA GARDENS, FL 33186
Phone : (305)871-1530 . Fax : (305)871-1531
CA-0006719
WALTER A. TILLIT Jr. P.E.
FLORIDA Lic. # 44167

SERIES 24000 LMSZ IMPACT RESISTANT OUTSWING FRENCH DOOR W/ TRANSOM OR W/ SIDELITES

290 WEST 78 ROAD
HALEAH, FL 33014
PH: (954)226-5555/(305)558-8103
FAX: (305)558-6665
www.gigwindows.com

DRAWN BY W.H.
DATE 09/06/2023
DRAWING No 23-209
SHEET 19 OF 45

REV. No	DESCRIPTION	DATE	REV. No	DESCRIPTION	DATE
1	OLD 23-156	09/06/23	2		

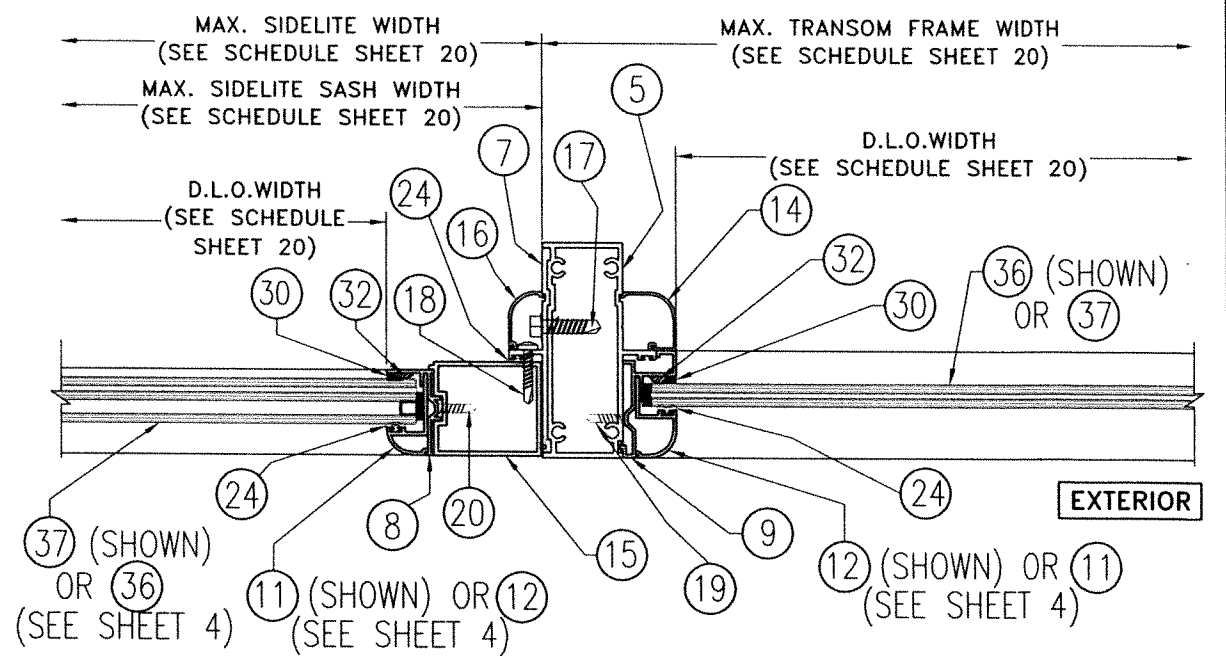


TYPICAL SPECIAL CONDITION FOR INSTALATION OF SINGLE/DOUBLE DOOR W/ SIDELITES & LIMITED TRANSOM HEIGHT:

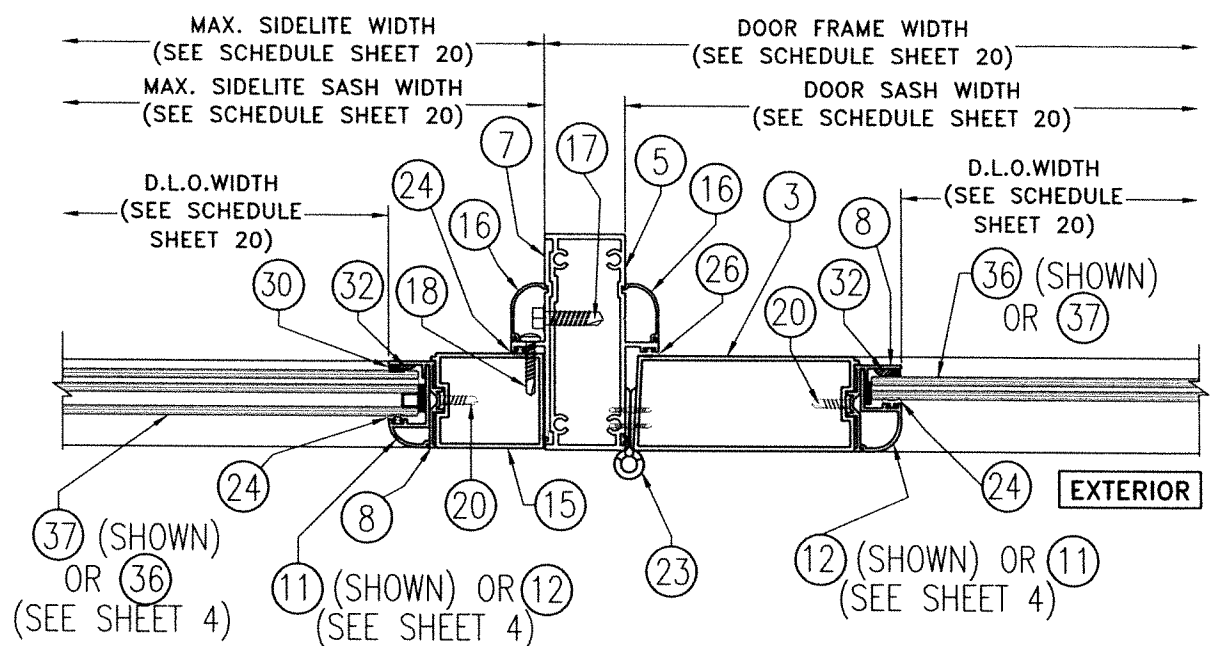
SCALE: N.T.S

- NOTE: ***
- (I) SINGLE OR DOUBLE FRENCH DOORS MAY BE COMBINED IN ANY SUCCESSIVE ARRANGEMENT JOINTLY WITH FIXED GLASS SIDELITES AND A TRANSOM TO CONFORM TO ANY INSTALLATION. FOR THIS COMBINATION TO BE FEASIBLE THE FOLLOWING PROCEDURE & REQUIREMENTS SHALL BE APPLIED:
 - (I.1) INTERIOR MULLIONS BETWEEN SIDE LITES SHALL ALWAYS CONSIST OF MULLION DESCRIBED ON SECTIONS G,H,I,J SHEETS 16 THRU 19, ADDITIONALLY ON SECTIONS X,Y SHEET 19A.
 - (I.2) DOOR JAMB MULLIONS SHALL CONSIST OF MULLIONS DESCRIBED ON SECTIONS G,H,I,J SHEETS 16 THRU 19, ADDITIONALLY ON SECTIONS X,Y SHEET 19A.
 - (I.3) JAMBS AT SIDELITES SHALL ALWAYS BE ATTACHED TO EXISTING SUBSTRATES W/ ANCHORS AS PER GENERAL NOTE 9, SHEET 1 & AT SPACINGS PER SCHEDULE ON SHEET 21.
 - (I.4) TOP & BOTTOM ANCHORS FOR INTERIOR MULLIONS BETWEEN SIDELITES AS WELL AS DOOR JAMB MULLIONS SHALL BE AS INDICATED ON ELEVATIONS SHEETS 7 THRU 10 ADDITIONALLY DOOR JAMB MULLION ELEVATION ON SHEET 19A AND SCHEDULES ON SHEET 21.
 - (II) SUCCESSIVE SIDELITES MAY BE INSTALLED AT RESIDENTIAL BUILDINGS AS LONG AS THE FOLLOWING PROCEDURE AND REQUIREMENTS APPLY.
 - (II.1) JAMBS ARE ATTACHED TO EXISTING SUBSTRATE AT BUILDINGS W/ANCHORAGE AS PER SCHEDULES ON SHEET 21.
 - (II.2) INTERIOR MULLIONS BETWEEN SIDELITES SHALL CONSIST OF MULLIONS DESCRIBED ON SECTIONS G,H,I,J, SHEETS 16 THRU 19, ADDITIONALLY ON SECTIONS X,Y SHEET 19A.
 - (II.3) INTERIOR MULLIONS BETWEEN SIDELITES ARE ANCHORED TOP & BOTTOM W/ANCHORAGE PER SCHEDULES SHEET 21.

OPTIONAL SYSTEM # 1



SECTION X-X @ DOOR JAMB MULLION (5) AT TRANSOM
SCALE: N.T.S



SECTION Y-Y @ DOOR JAMB MULLION (5) AT DOOR
SCALE: N.T.S

WALTER A. TILLIT JR.
LICENSE
No. 44167
STATE OF FLORIDA
PROFESSIONAL ENGINEER
[Signature]
P.E. SEAL/SIGNATURE/DATE

FLORIDA BUILDING CODE (HIGH & NON HIGH VELOCITY HURRICANE ZONE)

©2023 TILTECO, INC		SERIES 24000 LMSZ IMPACT RESISTANT OUTSWING FRENCH DOOR W/ TRANSOM OR W/ SIDELITES		DRAWN BY W.H.	
 TILTECO INC. TILLIT TESTING & ENGINEERING COMPANY 6355 N.W. 38th. St., Ste. 305, VIRGINIA GARDENS, FL 33168 Phone : (305)871-1530 . Fax : (305)871-1531 CA-0006719 WALTER A. TILLIT Jr. P.E. FLORIDA Lic. # 44167		 290 WEST 78 ROAD HIALEAH, FL 33014 PH: (954)226-5555/(305)558-8103 FAX: (305)558-6665 www.gigwindows.com		09/06/2023 DATE	
				23-209 DRAWING No	
REV. No	DESCRIPTION	DATE	REV. No	DESCRIPTION	DATE
1	OLD 23-156	09/06/23	2		

**SINGLE & DOUBLE DOOR SCHEDULE ONLY VALID
FOR DOORS W/O TRANSOM AND W/O SIDELITE**

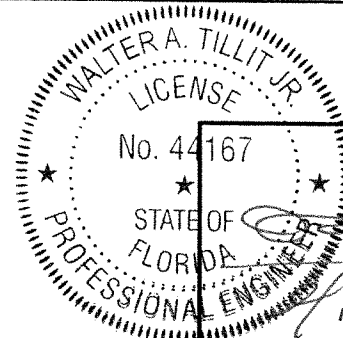
MAX. ASD DESIGN PRESSURE RATING	MAX. DOOR FRAME WIDTH		MAX. DOOR FRAME HEIGHT	MAX. DOOR SASH WIDTH *	MAX. DOOR SASH HEIGHT	MAX. D.L.O. WIDTH	MAX. D.L.O. HEIGHT
	AT SINGLE DOOR	AT DOUBLE DOOR					
+45, -45 psf	3'-5 1/2"	6'-8"	10'-0"	3'-2 1/2"	9'-9 1/2"	2'-4"	8'-8"
+49, -49 psf	3'-5 1/2"	6'-8"	9'-8"	3'-2 1/2"	9'-5 1/2"	2'-4"	8'-4"
+54, -54 psf	3'-5 1/2"	6'-8"	9'-4"	3'-2 1/2"	9'-1 1/2"	2'-4"	8'-0"
+57, -57 psf	3'-5 1/2"	6'-8"	9'-0"	3'-2 1/2"	8'-9 1/2"	2'-4"	7'-8"
+60, -60 psf	3'-5 1/2"	6'-8"	8'-8"	3'-2 1/2"	8'-5 1/2"	2'-4"	7'-4"
+70, -70 psf	3'-5 1/2"	6'-8"	8'-4"	3'-2 1/2"	7'-7 5/8"	2'-4"	7'-0"

* DOOR SASH WIDTHS MAY BE DIFFERENT FROM EACH OTHER WHEN DOUBLE DOORS ARE USED.

**SINGLE & DOUBLE DOOR SCHEDULE VALID
FOR DOORS W/ TRANSOM OR W/ SIDELITE**

MAX. ASD DESIGN PRESSURE RATING +70, -70 psf	MAX. FRAME WIDTH	MAX. FRAME HEIGHT	MAX. SASH WIDTH	MAX. SASH HEIGHT	MAX. D.L.O. WIDTH	MAX. D.L.O. HEIGHT
AT SINGLE DOOR	3'-5 1/2"	8'-4"	3'-2 1/2"	7'-7 5/8"	2'-4"	7'-0"
AT DOUBLE DOOR	6'-8"	8'-4"	3'-2 1/2"	7'-7 5/8"	2'-4"	7'-0"
AT SIDELITE	4'-0"	8'-4"	3'-10 1/2"	7'-7 5/8"	3'-4"	7'-0"
AT TRANSOM	6'-8"	4'-0"	-	-	6'-3"	3'-7"

OPTIONAL SYSTEM # 1



WALTER A. TILLIT JR. P.E.
FLORIDA Lic. # 44167

©2023 TILTECO, INC.


TILTECO INC.

TILLIT TESTING & ENGINEERING COMPANY
6355 N.W. 36th St., Ste. 305, VIRGINIA GARDENS, FL 33166
Phone : (305)871-1530 . Fax : (305)871-1531
CA-0006719

WALTER A. TILLIT Jr. P.E.
FLORIDA Lic. # 44167

FLORIDA BUILDING CODE (HIGH & NON HIGH VELOCITY HURRICANE ZONE)

**SERIES 24000 LMSZ IMPACT RESISTANT
OUTSWING FRENCH DOOR W/ TRANSOM
OR W/ SIDELITES**



290 WEST 78 ROAD
HALEAH, FL 33014
PH: (954)226-5555/(305)558-8103
FAX: (305)558-6665
www.gigwindows.com

DRAWN BY
W.H.

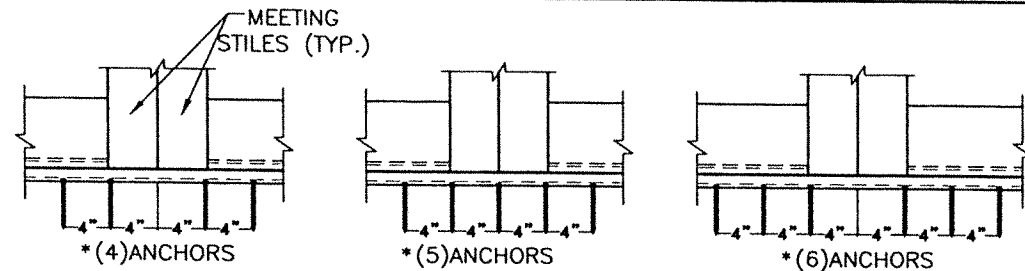
09/06/2023
DATE

23-209
DRAWING No

REV. No	DESCRIPTION	DATE	REV. No	DESCRIPTION	DATE
1	OLD 23-156	09/06/23	2		

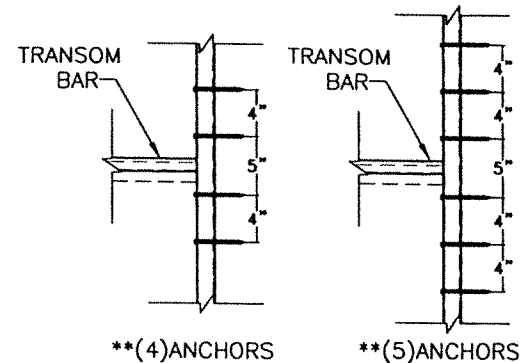
REQ'D NUMBER OF ANCHORS AT HEAD/SILL CLUSTER OF ANCHORS AT DOUBLE DOOR, AT MEETING STILES *

ASD DESIGN PRESSURE RATING	MAX. DOOR FRAME WIDTH	MAX. DOOR FRAME HEIGHT	SUBSTRATE
			CONCRETE, BLOCK, WOOD, ALUM., STEEL
+45, -45 psf	6'-8"	8'-4"	4 ANCHORS
+45, -45 psf	6'-8"	10'-0"	5 ANCHORS
+49, -49 psf	6'-8"	9'-8"	5 ANCHORS
+54, -54 psf	6'-8"	9'-4"	6 ANCHORS
+57, -57 psf	6'-8"	9'-0"	6 ANCHORS
+60, -60 psf	6'-8"	8'-8"	6 ANCHORS
+70, -70 psf	6'-8"	8'-4"	6 ANCHORS



REQ'D NUMBER OF ANCHORS AT CLUSTER OF ANCHORS AT ENDS OF TRANSOM BAR WITH DOUBLE DOOR **

ASD DESIGN PRESSURE RATING	MAX. TRANSOM WIDTH	MAX. DOOR FRAME HEIGHT	TRANSOM HEIGHT	SUBSTRATE
				CONCRETE, BLOCK, WOOD, ALUM., STEEL
+45, -45 psf	6'-8"	8'-4"	2'-0"	4 ANCHORS
			3'-0"	4 ANCHORS
			4'-0"	4 ANCHORS
+55, -55 psf	6'-8"	8'-4"	2'-0"	4 ANCHORS
			3'-0"	4 ANCHORS
			4'-0"	6 ANCHORS
+70, -70 psf	6'-8"	8'-4"	2'-0"	4 ANCHORS
			3'-0"	4 ANCHORS
			4'-0"	6 ANCHORS



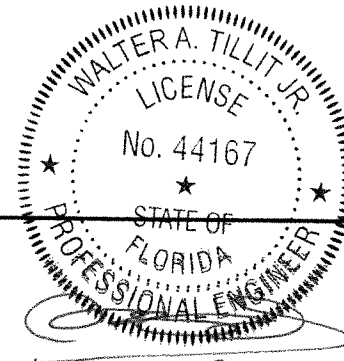
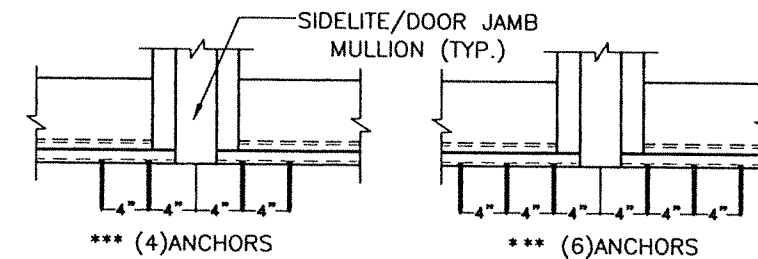
OPTIONAL SYSTEM # 1

MAXIMUM ANCHOR SPACING "S" SCHEDULE AT JAMBS OF DOOR, SIDELITE & TRANSOM

SUBSTRATE	ANCHOR TYPE	A.S.D. DESIGN PRESSURE RATING (psf)	"S"
CONCRETE	1/4"Ø ITW/BUILDEX TAPCON ANCHOR (22)	+70.0, -70.0	11" O.C.
BLOCK	1/4"Ø ITW/BUILDEX TAPCON ANCHOR (22)	+70.0, -70.0	11" O.C.
WOOD	1/4"Ø ITW/BUILDEX TAPCON ANCHOR (22)	+70.0, -70.0	11" O.C.
ALUMINUM TUBE OR STEEL MEMBER	1/4"Ø-14 ITW/BUILDEX TEK SCREW (22A)	+70.0, -70.0	11" O.C.

REQ'D NUMBER OF ANCHORS AT HEAD & SILL CLUSTER OF ANCHORS AT SIDELITE & DOOR JAMB MULLIONS ***

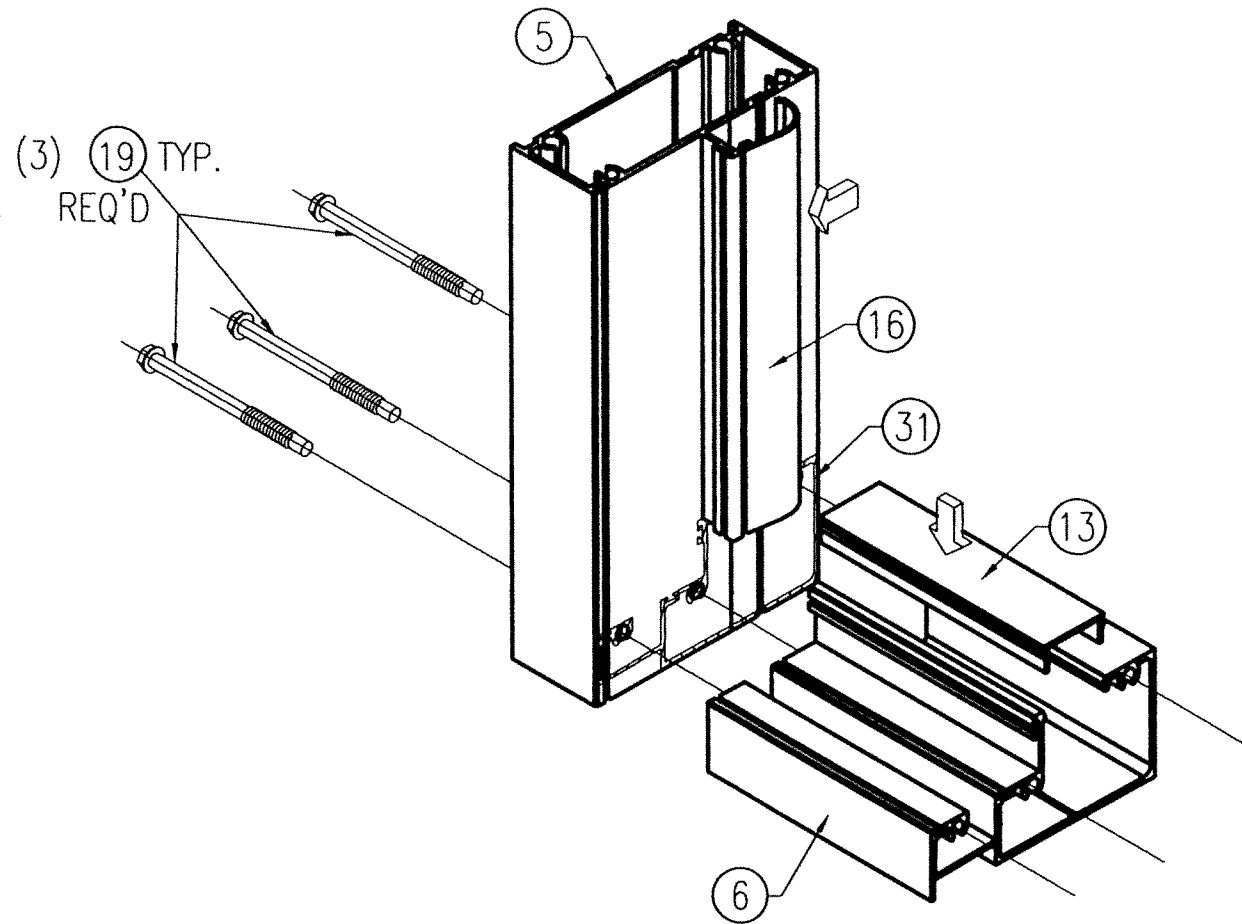
ASD DESIGN PRESSURE RATING	SUBSTRATE
	CONCRETE, BLOCK, WOOD, ALUM., STEEL
UP TO +67.5, -67.5 psf	4 ANCHORS
> +67.5, -67.5 psf UP TO +70, -70 psf	6 ANCHORS



WALTER A. TILLIT JR. P.E.
FLORIDA Lic. # 44167

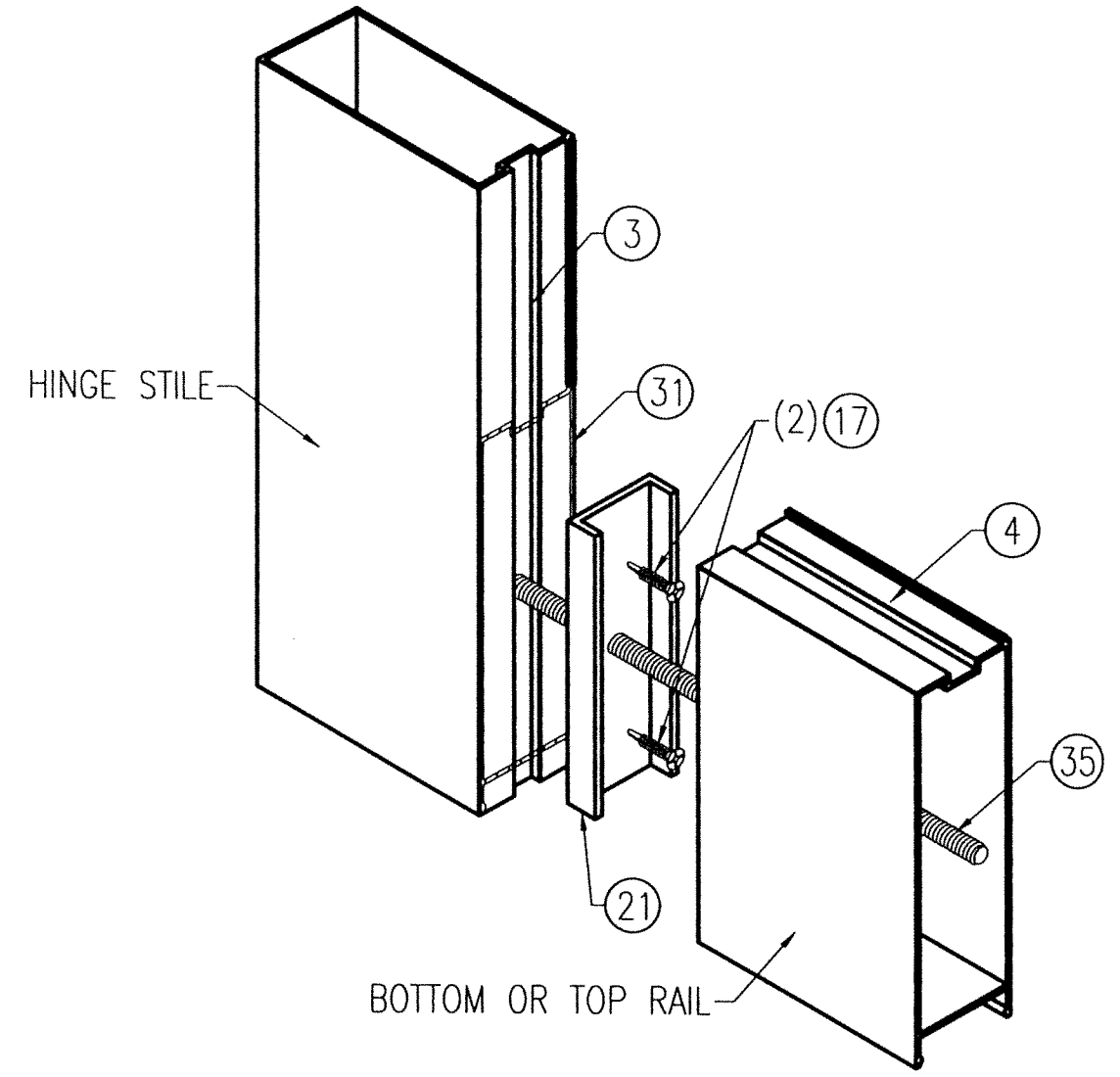
FLORIDA BUILDING CODE (HIGH & NON HIGH VELOCITY HURRICANE ZONE)

©2023 TILTECO, INC.	TILTECO INC.	SERIES 24000 LMSZ IMPACT RESISTANT OUTSWING FRENCH DOOR W/ TRANSOM OR W/ SIDELITES	DRAWN BY W.H.
TILLIT TESTING & ENGINEERING COMPANY 6355 N.W. 36th. St., Ste. 305, VIRGINIA GARDENS, FL 33166 Phone : (305)871-1530 - Fax : (305)871-1531 CA-0006719	290 WEST 78 ROAD HIALEAH, FL 33014 PH: (954)228-5555/(305)558-8103 FAX: (305)558-6865 www.gigwindows.com	09/06/2023 DATE	23-209 DRAWING No
WALTER A. TILLIT Jr. P.E. FLORIDA Lic. # 44167	GIG WINDOWS & DOORS	REV. No. 1 DESCRIPTION OLD 23-156 DATE 09/06/23	REV. No. 2 DESCRIPTION DATE



FRAME CORNER DETAIL

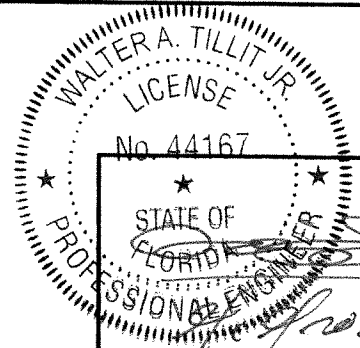
N. T. S.



DOOR CORNER FRAME DETAIL

N. T. S.

CORNER DETAILS ISOMETRIC
OPTIONAL SYSTEM # 1




P.E. SEAL/SIGNATURE/DATE

©2023 TILTECO, INC.
TILTECO INC.
TILLIT TESTING & ENGINEERING COMPANY
6355 N.W. 36th. St., Ste. 305, VIRGINIA GARDENS, FL 33186
Phone : (305)871-1530 . Fax : (305)871-1531
CA-0008719
WALTER A. TILLIT Jr., P.E.
FLORIDA Lic. # 44167

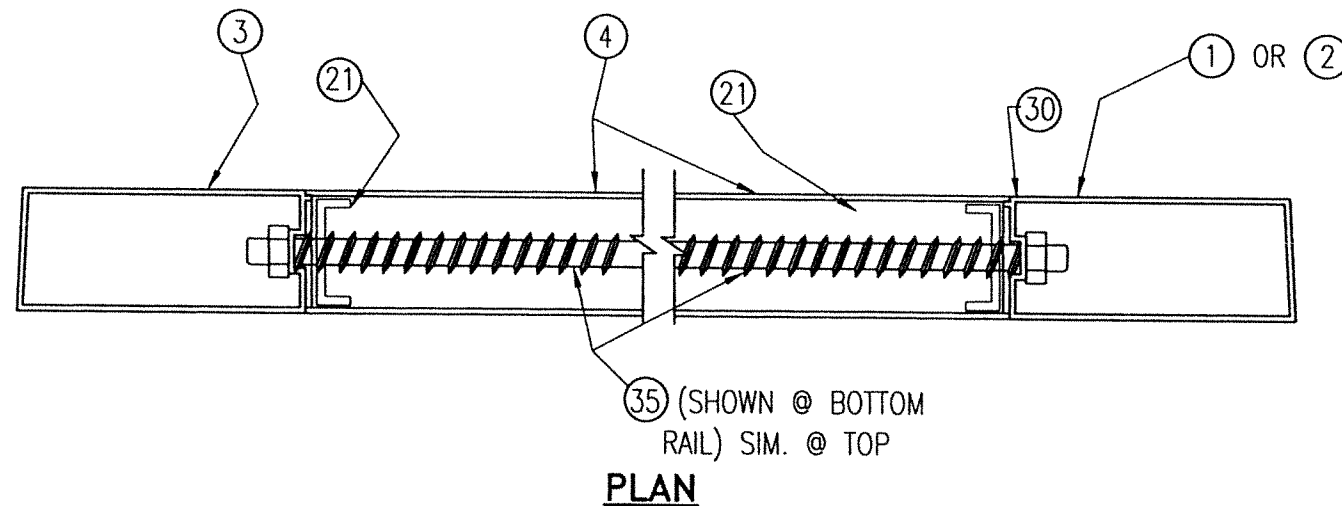
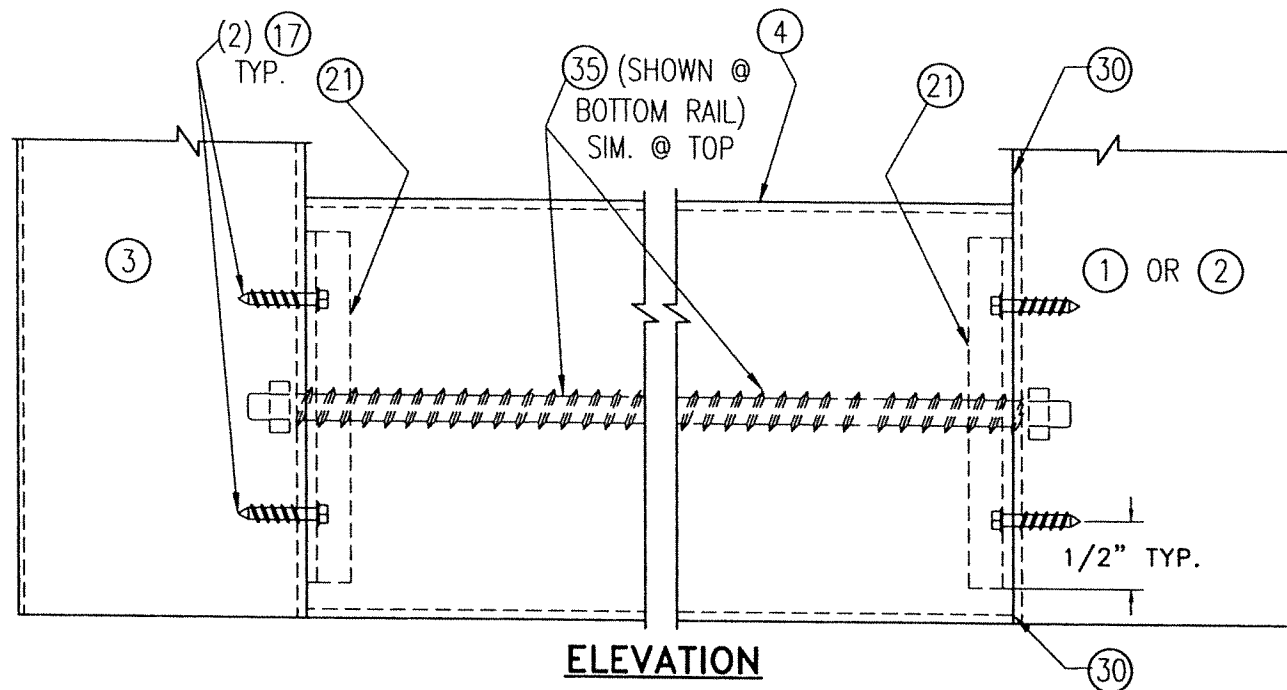
FLORIDA BUILDING CODE (HIGH & NON HIGH VELOCITY HURRICANE ZONE)

**SERIES 24000 LMSZ IMPACT RESISTANT
OUTSWING FRENCH DOOR W/ TRANSOM
OR W/ SIDELITES**

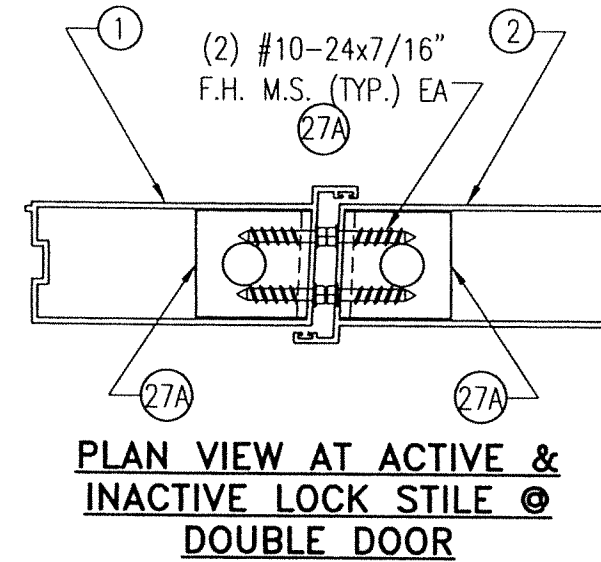
 290 WEST 78 ROAD
HIALEAH, FL 33014
PH: (954)226-5555/(305)558-8103
FAX: (305)558-6665
www.gigwindows.com

DRAWN BY
W.H.
09/06/2023
DATE
23-209
DRAWING No

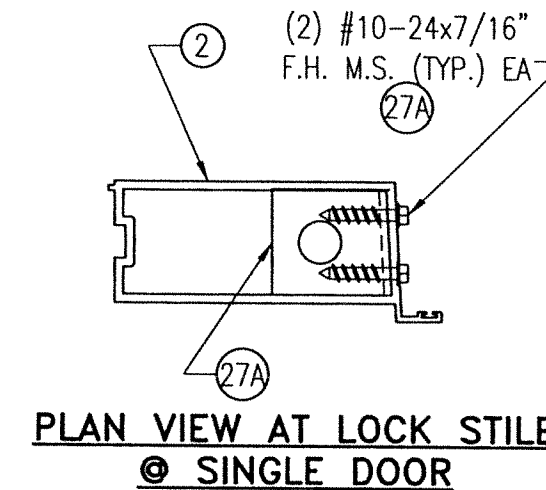
REV. No	DESCRIPTION	DATE	REV. No	DESCRIPTION	DATE
1	OLD 23-156	09/06/23	2		



DETAIL 1: TOP/BOTTOM RAIL CONNECTION TO STILES
SCALE: 3/8"=1"



PLAN VIEW AT ACTIVE & INACTIVE LOCK STILE @ DOUBLE DOOR



PLAN VIEW AT LOCK STILE @ SINGLE DOOR

SHOOT BOLT GUIDE DETAIL AT TOP & BOTTOM STILES
SCALE: 3/8"=1"

OPTIONAL SYSTEM # 1

WALTER A. TILLIT JR.
LICENSE
No. 44167
STATE OF FLORIDA
PROFESSIONAL ENGINEER
[Signature]
P.E. SEAL/SIGNATURE/DATE

FLORIDA BUILDING CODE (HIGH & NON HIGH VELOCITY HURRICANE ZONE)

©2023 TILTECO, INC.

TILTECO INC.
TILLIT TESTING & ENGINEERING COMPANY
6305 N.W. 36th St., Ste. 305, VIRGINIA GARDENS, FL 33186
Phone: (305)871-1530 Fax: (305)871-1531
CA-0006719
WALTER A. TILLIT Jr. P.E.
FLORIDA Lic. # 44167

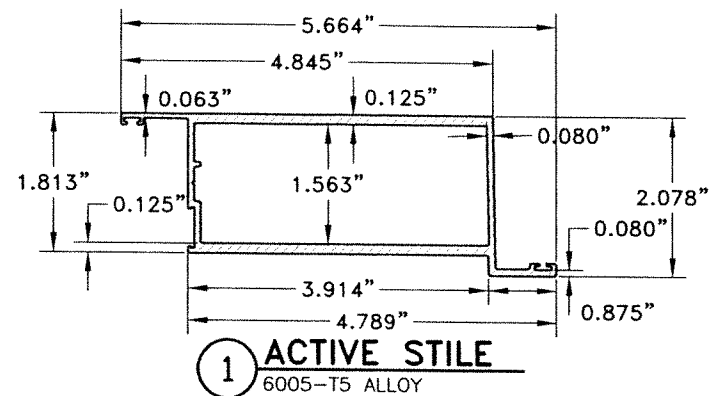
SERIES 24000 LMSZ IMPACT RESISTANT OUTSWING FRENCH DOOR W/ TRANSOM OR W/ SIDELITES

290 WEST 78 ROAD
HALEAH, FL 33014
PH: (954)226-5555/(305)558-8103
FAX: (305)558-6665
www.gigwindows.com

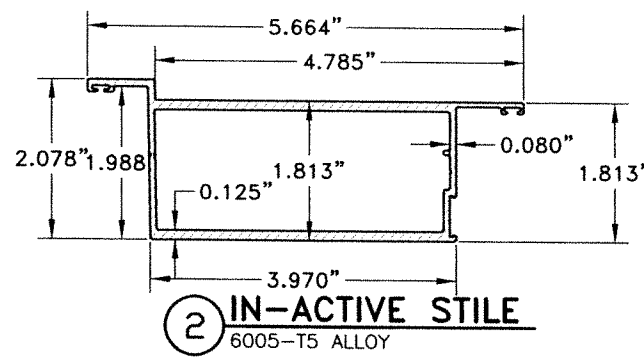
DRAWN BY W.H.
DATE 09/06/2023
DRAWING No 23-209

REV. No	DESCRIPTION	DATE	REV. No	DESCRIPTION	DATE
1	OLD 23-156	09/06/23	2		

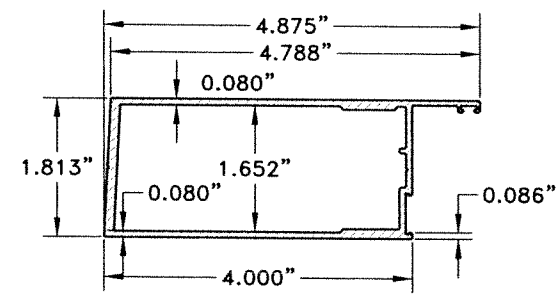
SHEET 23 OF 45



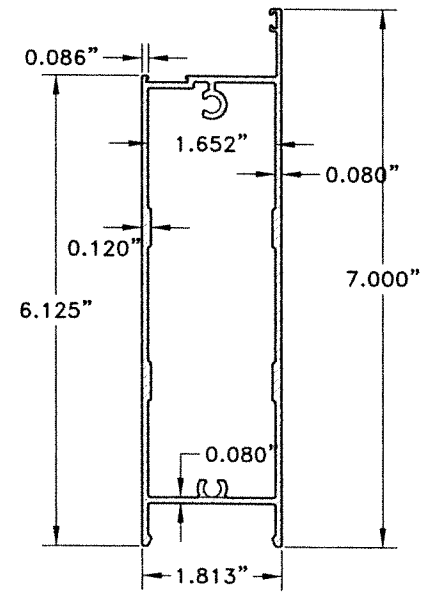
1 ACTIVE STILE
6005-T5 ALLOY



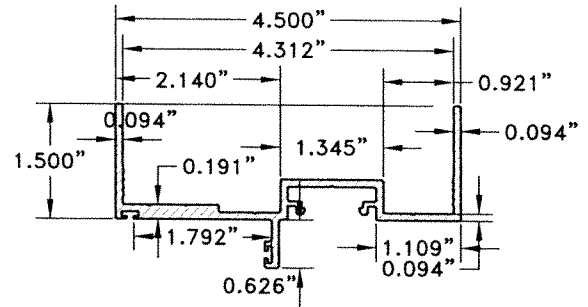
2 IN-ACTIVE STILE
6005-T5 ALLOY



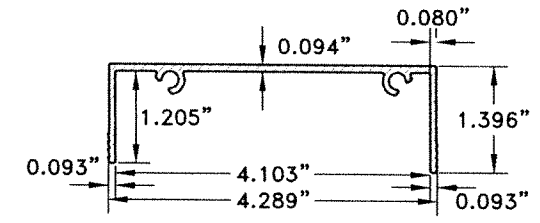
3 HINGE STILE
6063-T6 ALLOY



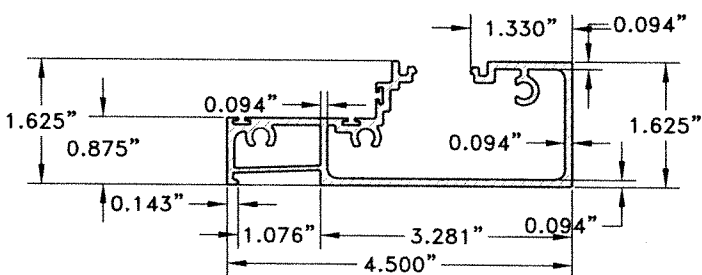
4 6\"/>



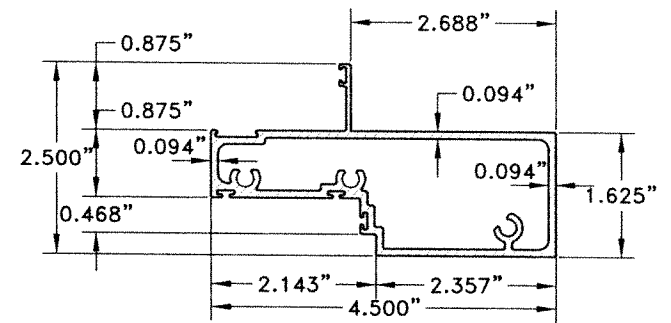
6 DOOR FRAME JAMB & MULLION
6063-T6 ALLOY



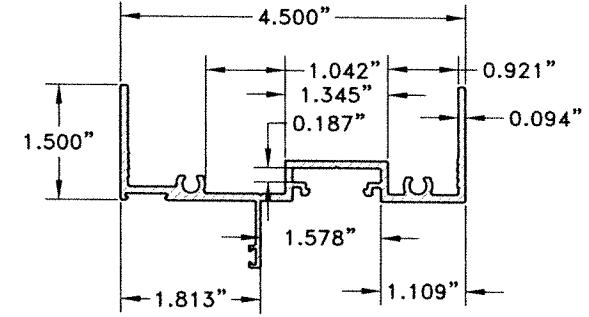
7 DOOR FRAME JAMB & TRANSOM COVER
6063-T6 ALLOY



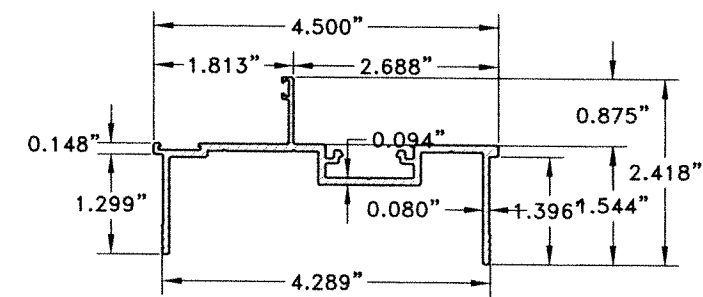
8 FRAME SILL & HEAD
6063-T6 ALLOY



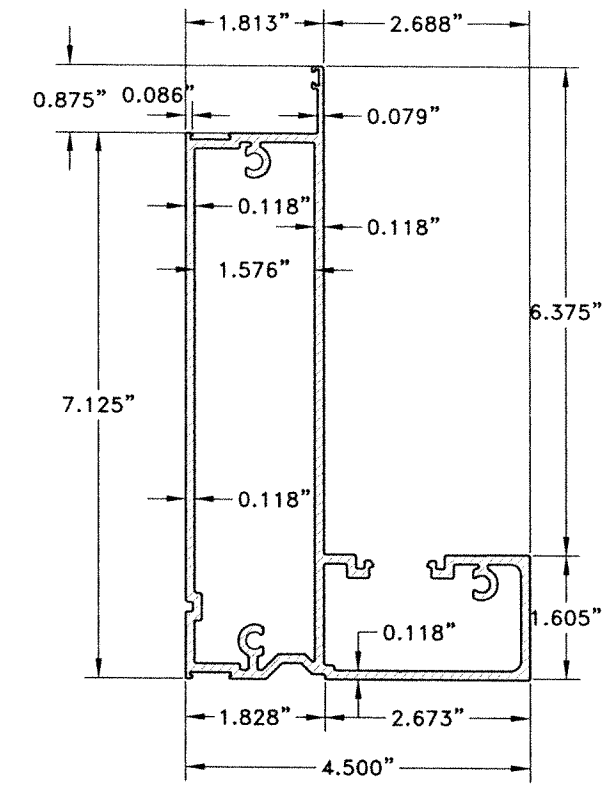
9 TRANSOM BAR
6063-T6 ALLOY



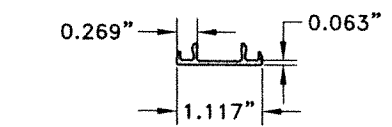
10 TRANSOM HEAD & SIDELITE MULLION
6063-T6 ALLOY



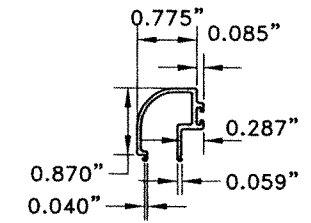
11 SIDELITE INSERT
6063-T6 ALLOY



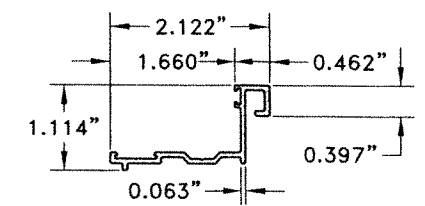
12 SIDELITE FRAME SILL & HEAD
6063-T6 ALLOY



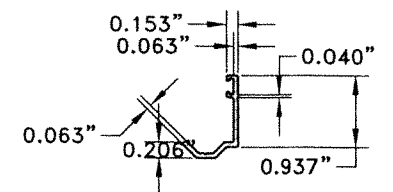
13 DOOR HEAD & SILL COVER
6063-T6 ALLOY



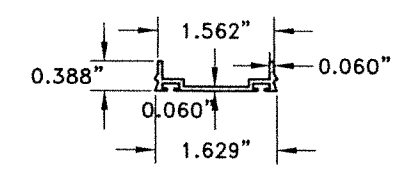
16 LAMINATED GB
6063-T6 ALLOY



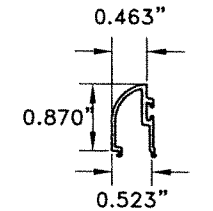
14A DOOR JAMB TRANSOM GLAZING ADAPTER
6063-T6 ALLOY



14B TRANSOM GLAZING ADAPTER
6063-T6 ALLOY



15 WEATHER STRIP ADAPTER
6063-T6 ALLOY



17 INSULATED GB
6063-T6 ALLOY

COMPONENTS
N.T.S.
OPTIONAL SYSTEM # 2

WALTER A. TILLIT JR.
LICENSE
No. 44167
STATE OF FLORIDA
PROFESSIONAL ENGINEER
P.E. SEAL/SIGNATURE/DATE

FLORIDA BUILDING CODE (HIGH & NON HIGH VELOCITY HURRICANE ZONE)

©2023 TILTECO, INC.

TILTECO INC.
TILLIT TESTING & ENGINEERING COMPANY
6355 N.W. 36th. St., Ste. 305, VIRGINIA GARDENS, FL 33186
Phone : (305)871-1530 . Fax : (305)871-1531
CA-0006719

WALTER A. TILLIT Jr. P.E.
FLORIDA Lic. # 44167

**SERIES 24000 LMSZ IMPACT RESISTANT
OUTSWING FRENCH DOOR W/ TRANSOM
OR W/ SIDELITES**

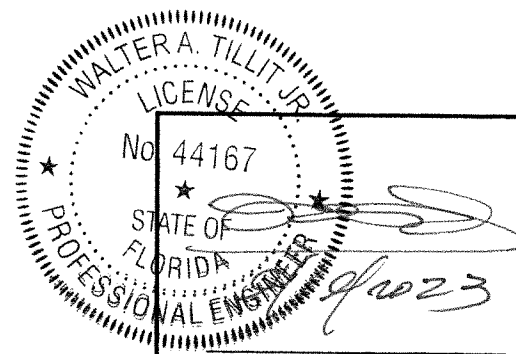
290 WEST 78 ROAD
HIALEAH, FL 33014
PH: (954)226-5555/(305)558-8103
FAX: (305)558-6665
www.gigwindows.com

DRAWN BY W.H.
DATE 09/06/2023
DRAWING No 23-209
SHEET 24 OF 45

REV. No	DESCRIPTION	DATE	REV. No	DESCRIPTION	DATE
1	OLD 23-156	09/06/23	2		

BILL OF MATERIALS			
COMPONENT #	DESCRIPTION	DIMENSIONS/REMARKS	MATERIAL
1	ACTIVE LOCK STILE	SEE SHEET 24	6063-T6
2	INACTIVE LOCK STILE	SEE SHEET 24	6063-T6
3	HINGE STILE	SEE SHEET 24	6063-T6
4	6" BOTTOM & TOP RAIL	SEE SHEET 24	6063-T6
6	DOOR FRAME JAMB & MULLION	SEE SHEET 24	6063-T6
7	DOOR FRAME JAMB & TRANSOM COVER	SEE SHEET 24	6063-T6
8	FRAME SILL & HEAD	SEE SHEET 24	6063-T6
9	TRANSOM BAR	SEE SHEET 24	6063-T6
10	TRANSOM HEAD & SIDELITE MULLION	SEE SHEET 24	6063-T6
11	SIDE LITE INSERT	SEE SHEET 24	6063-T6
12	SIDELITE FRAME SILL & HEAD	SEE SHEET 24	6063-T6
13	DOOR HEAD & SILL COVER	SEE SHEET 24	6063-T6
14A	DOOR JAMB TRANSOM GLAZING ADAPTER	SEE SHEET 24	6063-T6
14B	TRANSOM GLAZING ADAPTER	SEE SHEET 24	6063-T6
15	WEATHER STRIP ADAPTER	SEE SHEET 24	6063-T6
16	LAMINATED GLAZING BEAD	SEE SHEET 24	6063-T6
17	INSULATED GLAZING BEAD	SEE SHEET 24	6063-T6
18A	GLAZING PUSH-IN GASKET	0.157"x0.295" (EXTRUSIONS)	6063-T6
18B	GLAZING PUSH-IN GASKET	0.290"x0.280" (EXTRUSIONS)	EPDM
19	#14 x 2 1/2" H.H SCREW	FRAME ASSEMBLY & PANELS ASSEMBLY -180 Ksi TENSILE STRENGTH	EPDM
20	#10 x 1" F.H. S.S. TEK SCREW @ 8" O.C.	TRANSOM GLAZING ADAPTER	STEEL
21	1/4"Ø-20X1" PAN HEAD S.S. THRU BOLT W/ NUT @ 12" O.C. (START @ 6" O.C. FROM TOP/BOTTOM)	MULLION ASSEMBLY BOLT	STEEL
22	TAPCON (ITW/BUILDDEX) CONCRETE ANCHOR	1/4" Ø - SEE GENERAL NOTE ON SHEET 1	STEEL
22A	TEK SCREW (ITW/BUILDDEX)	1/4" Ø - SEE GENERAL NOTE ON SHEET 1	STEEL
23	EXTRUDED HINGES	3 1/2" X 7 3/4" POWDER COATED W/ (6) #10-20x7/16" F.H. S.S. MS TO FRAME & W/ (5) #10-24x7/16" F.H. S.S. MS TO DOOR PANEL	6063-T6
24	T-SLOT EXTRUDED SEAL	0.250"x0.300" (ULTRAFAB)	VINYL
25	FIN SEAL PILE W/ PLASTIC	ULTRAFAB	VINYL
26	SEAL WEATHER STRIPPING	PRO-LON (GLAZING BEAD)	FOAM
27	SHOOT BOLT	TOP & BOTTOM 3/8Ø x2" (2) REQ'D @ ACTIVE +(2) REQ'D @ INACTIVE. PENETRATE 2" MIN. INTO HD/SILL	STEEL
27A	SHOOT BOLT GUIDE	TOP & BOTTOM SEE DETAIL SHEET 24. 1 1/2" x 1 1/2" x 1/8" x 0'-1 1/2", 6063-T6 ALUMINUM ANGLE	ALUMINUM
28	1/4" DRIVE ROD TOP & BOTTOM		ALUMINUM
29	3 POINT LOCK ACTIVE HANDLE W/ CYLINDER, LATCH & DEAD BOLT STRIKE, LEVER COMPRESSION LOCK	MANUFACTURED BY ASSA ABLOY	
29A	2 POINT LOCK ACTIVE HANDLE W/ INSTALLATION AT (2) #8-32 x 7/16" SCREWS PER PANEL & TWIN BOLT LOCK W/ (1) #8-32 x 7/16" SCREW PER PANEL	MANUFACTURED BY ASSA ABLOY	
30	STRUCTURAL SILICONE DOW CORNING 995	ALL AROUND GLASS	SILICONE
31	NON STRUCTURAL SILICONE DOW CORNING CONTRACTORS CONCRETE SEALANT (CCS)	AS SHOWN	SILICONE
33	FLUSH BOLT	HARDWARE (OPTION TO 3 AND 2 POINT LOCK) ASSA ABLOY, 7 mm ROD W/ (2) # 8 x 1/2" SMS TO STILE	PLATED STEEL
34	SETTING BLOCK		E.P.D.M.
35	WEEP HOLES	1/16" HIGH x 1 15/16" LONG @ THRESHOLD (2 PER DOOR)	

OPTIONAL SYSTEM # 2



P.E. SEAL/SIGNATURE/DATE

©2023 TILTECO, INC.

TILTECO INC.

TILLIT TESTING & ENGINEERING COMPANY
 6305 N.W. 30th St., Ste. 305, VIRGINIA GARDENS, FL 33168
 Phone : (305)871-1530 . Fax : (305)871-1531
 CA-0006719

WALTER A. TILLIT Jr. P.E.
 FLORIDA Lic. # 44167

FLORIDA BUILDING CODE (HIGH & NON HIGH VELOCITY HURRICANE ZONE)

SERIES 24000 LMSZ IMPACT RESISTANT OUTSWING FRENCH DOOR W/ TRANSOM OR W/ SIDELITES

290 WEST 78 ROAD
 HIALEAH, FL 33014
 PH: (954)226-5555/(305)558-8103
 FAX: (305)558-6665
 www.gigwindows.com

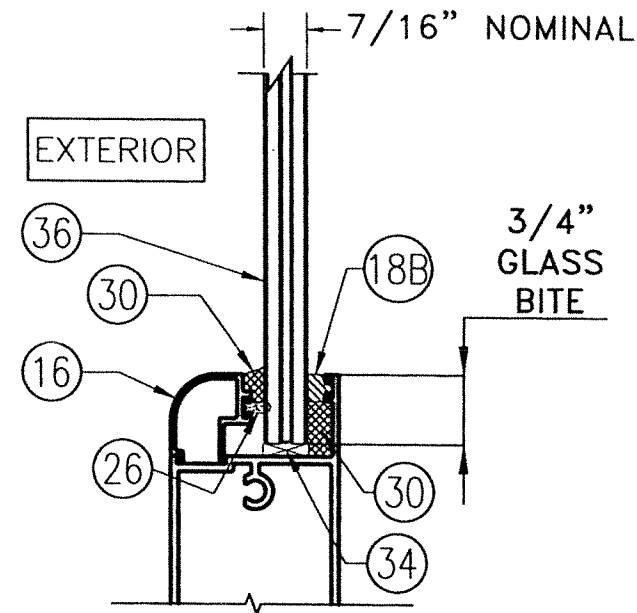
DRAWN BY
 W.H.

09/06/2023
 DATE

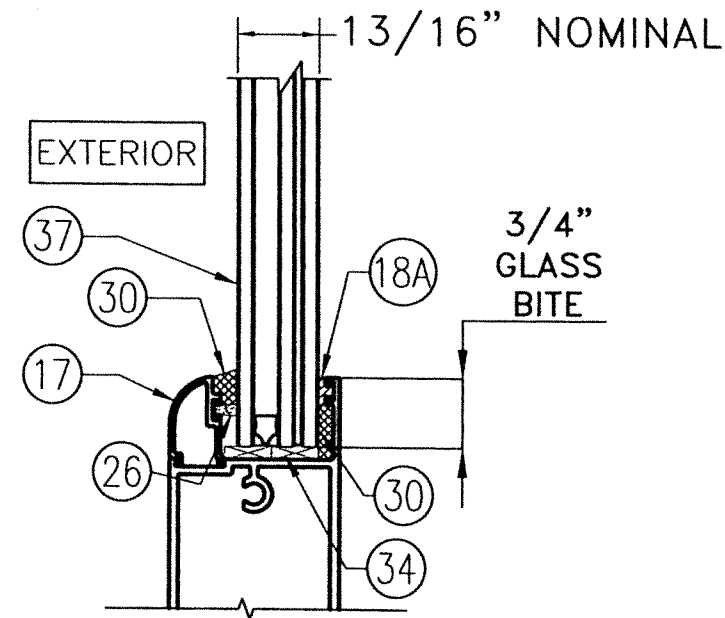
23-209
 DRAWING No

REV. No	DESCRIPTION	DATE	REV. No	DESCRIPTION	DATE
1	OLD 23-156	09/08/23	2		

BILL OF MATERIALS (CONT'D)		
COMPONENT #	DESCRIPTION	MATERIAL
(36)	7/16" NOMINAL LAMINATED GLASS W/ 3/16" H.S. GLASS +0.090" DUPONT TROSIFOL INTERLAYER BY KURARAY AMERICA INC., + 3/16" H.S. GLASS.	GLASS
(37)	13/16" INSULATED-LAMINATED GLASS W/ 3/16" TEMPERED GLASS OUT BOARD -1/4 ARGON SPACER + 3/16 H.S. + 0.090" DUPONT TROSIFOL INTERLAYER BY KURARAY AMERICA INC., + 3/16" H.S. INBOARD	GLASS



GLAZING DETAIL 1
AT (36)
 SCALE: 1/2"=1"



GLAZING DETAIL 2
AT (37)
 SCALE: 1/2"=1"

OPTIONAL SYSTEM # 2

WALTER A. TILLIT JR.
 LICENSE
 NO. 44167
 STATE OF FLORIDA
 PROFESSIONAL ENGINEER
 9/20/23
 P.E. SEAL/SIGNATURE/DATE

FLORIDA BUILDING CODE (HIGH & NON HIGH VELOCITY HURRICANE ZONE)

©2023 TILTECO, INC.

TILTECO INC.
 TILLIT TESTING & ENGINEERING COMPANY
 6305 N.W. 36th. St., Ste. 305, VIRGINIA GARDENS, FL 33186
 Phone : (305)671-1530 . Fax : (305)671-1531
 CA-0006719
 WALTER A. TILLIT Jr. P.E.
 FLORIDA Lic. # 44167

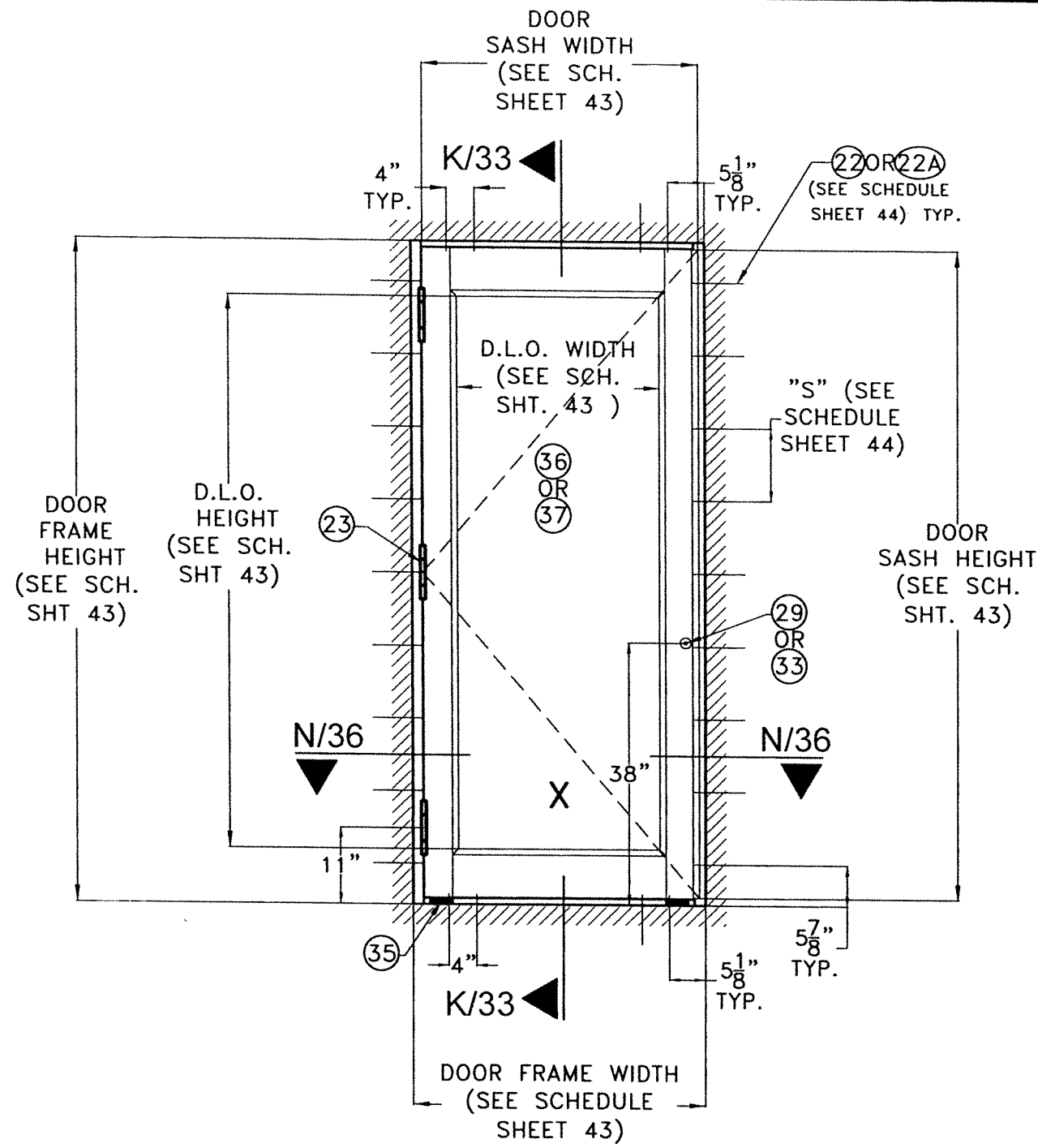
SERIES 24000 LMSZ IMPACT RESISTANT OUTSWING FRENCH DOOR W/ TRANSOM OR W/ SIDELITES

290 WEST 78 ROAD
 HIALEAH, FL 33014
 PH: (954)226-5555/(305)558-8103
 FAX: (305)558-6665
 www.gigwindows.com

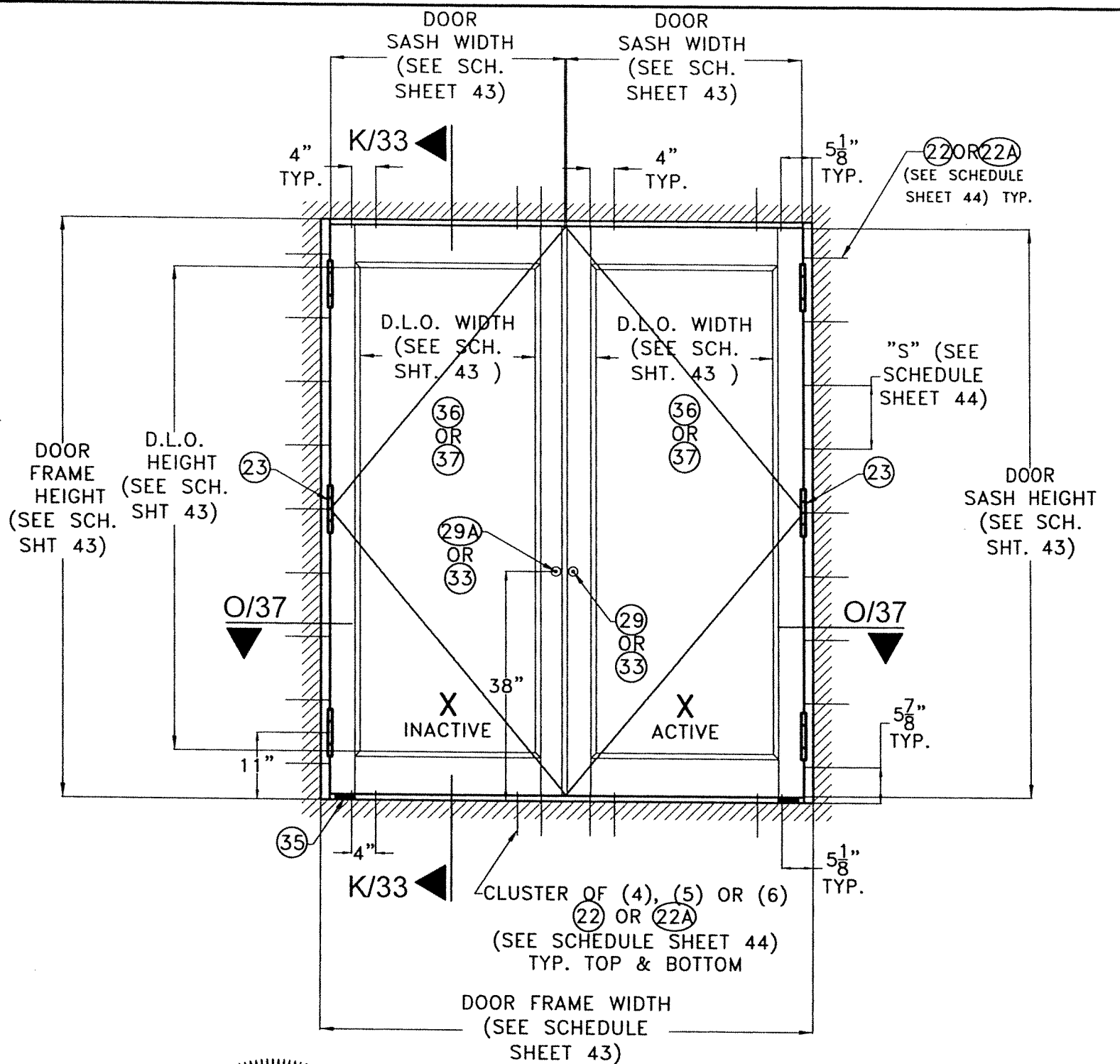
WINDOWS & DOORS

REV. No	DESCRIPTION	DATE	REV. No	DESCRIPTION	DATE
1	OLD 23-156	09/06/23	2		

DRAWN BY W.H.
 DATE 09/06/2023
 DRAWING No 23-209
 SHEET 26 OF 45



**TYPICAL EXTERIOR ELEVATION
SINGLE DOOR**

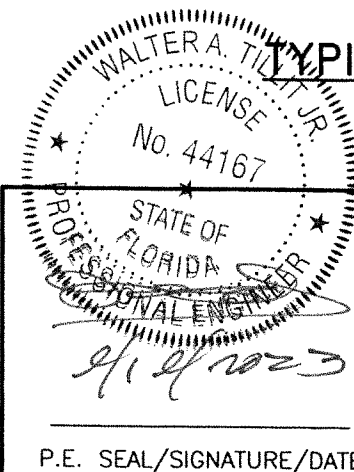


**TYPICAL EXTERIOR ELEVATION
DOUBLE DOOR**

**TYPICAL EXTERIOR ELEVATIONS FOR SINGLE &
DOUBLE DOOR W/O TRANSOM NOR SIDELITES**

SCALE: N.T.S

OPTIONAL SYSTEM # 2



P.E. SEAL/SIGNATURE/DATE

FLORIDA BUILDING CODE (HIGH & NON HIGH VELOCITY HURRICANE ZONE)

©2023 TILTECO, INC

TILTECO INC.

TILLIT TESTING & ENGINEERING COMPANY
 8355 N.W. 36th. St., Ste. 305, VIRGINIA GARDENS, FL 33168
 Phone : (305)871-1530 . Fax : (305)871-1531
 CA-0006719

WALTER A. TILLIT Jr. P.E.
 FLORIDA Lic. # 44167

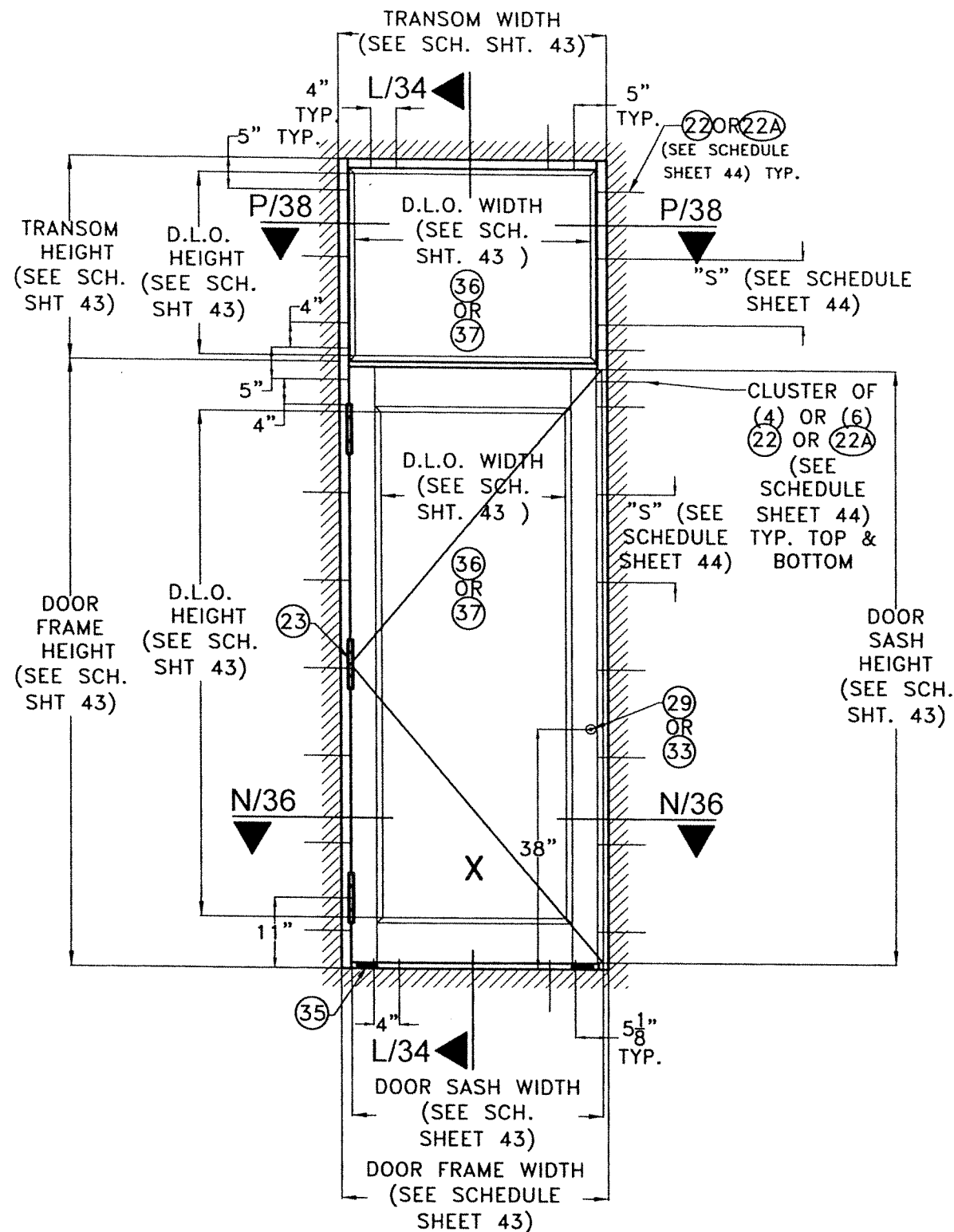
**SERIES 24000 LMSZ IMPACT RESISTANT
OUTSWING FRENCH DOOR W/ TRANSOM
OR W/ SIDELITES**

STC
WINDOWS & DOORS

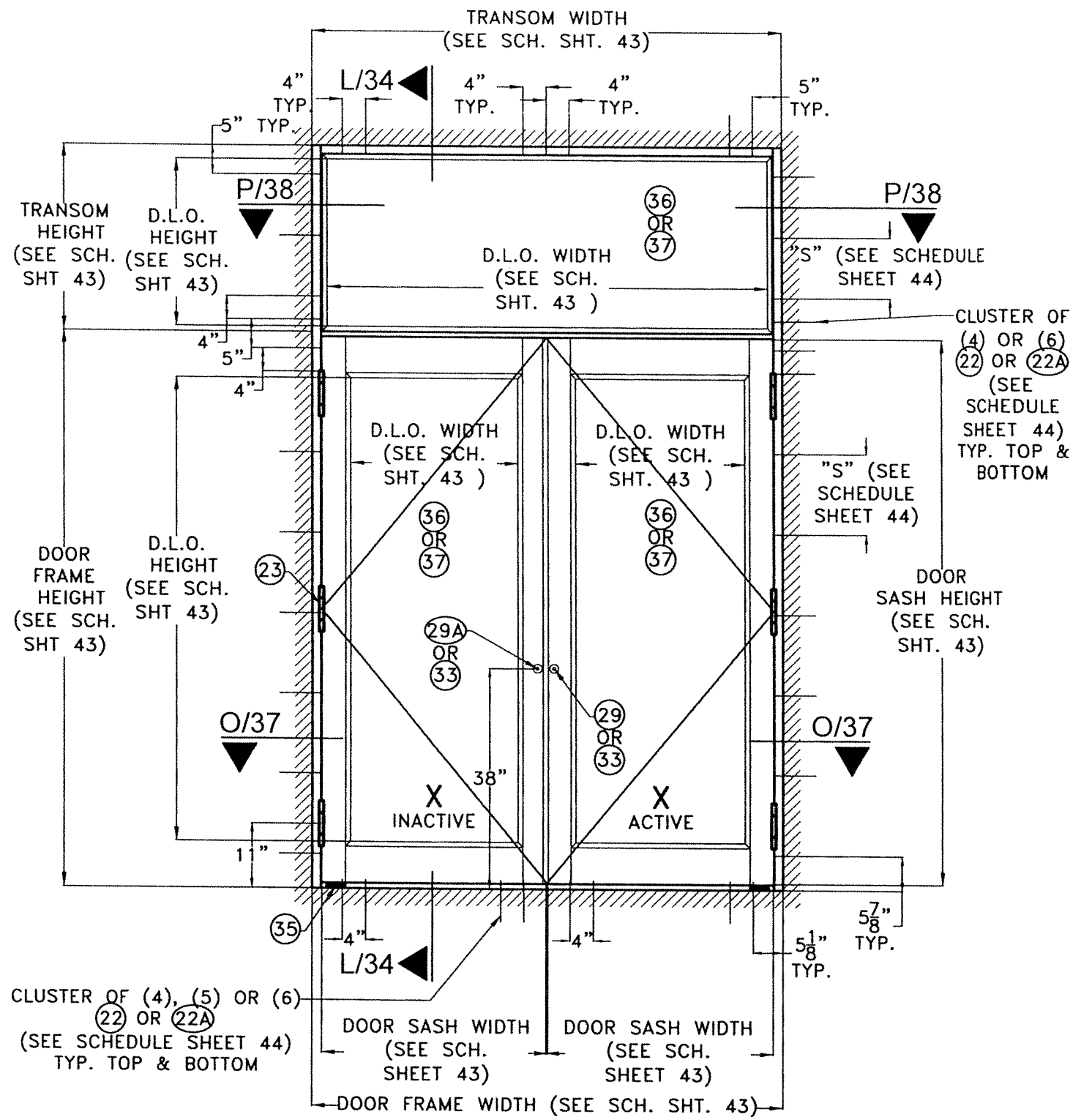
280 WEST 78 ROAD
 HIALEAH, FL 33014
 PH: (954)228-5555/(305)558-8103
 FAX: (305)558-6665
 www.gigwindows.com

DRAWN BY	W.H.
DATE	09/06/2023
DRAWING No	23-209
SHEET 27 OF 45	

REV. No	DESCRIPTION	DATE	REV. No	DESCRIPTION	DATE
1	OLD 23-156	09/06/23	2		



TYPICAL EXTERIOR ELEVATION SINGLE DOOR W/ TRANSOM



TYPICAL EXTERIOR ELEVATION DOUBLE DOOR W/ TRANSOM

TYPICAL EXTERIOR ELEVATIONS FOR SINGLE & DOUBLE DOOR W/ TRANSOM
SCALE: N.T.S
OPTIONAL SYSTEM # 2

WALTER A. TILLIT JR.
LICENSE
No. 44167
STATE OF FLORIDA
PROFESSIONAL ENGINEER
P.E. SEAL/SIGNATURE/DATE

FLORIDA BUILDING CODE (HIGH & NON HIGH VELOCITY HURRICANE ZONE)

©2023 TILTECO, INC.

TILTECO INC.
TILLIT TESTING & ENGINEERING COMPANY
6355 N.W. 39th. St. Ste. 305, VIRGINIA GARDENS, FL 33166
Phone : (305)871-1530 . Fax : (305)871-1531
CA-0006719

WALTER A. TILLIT Jr. P.E.
FLORIDA Lic. # 44167

SERIES 24000 LMSZ IMPACT RESISTANT
OUTSWING FRENCH DOOR W/ TRANSOM
OR W/ SIDELITES

290 WEST 78 ROAD
HIALEAH, FL 33014
PH: (954)228-5555/(305)558-8103
FAX: (305)558-6665
www.glgwindows.com

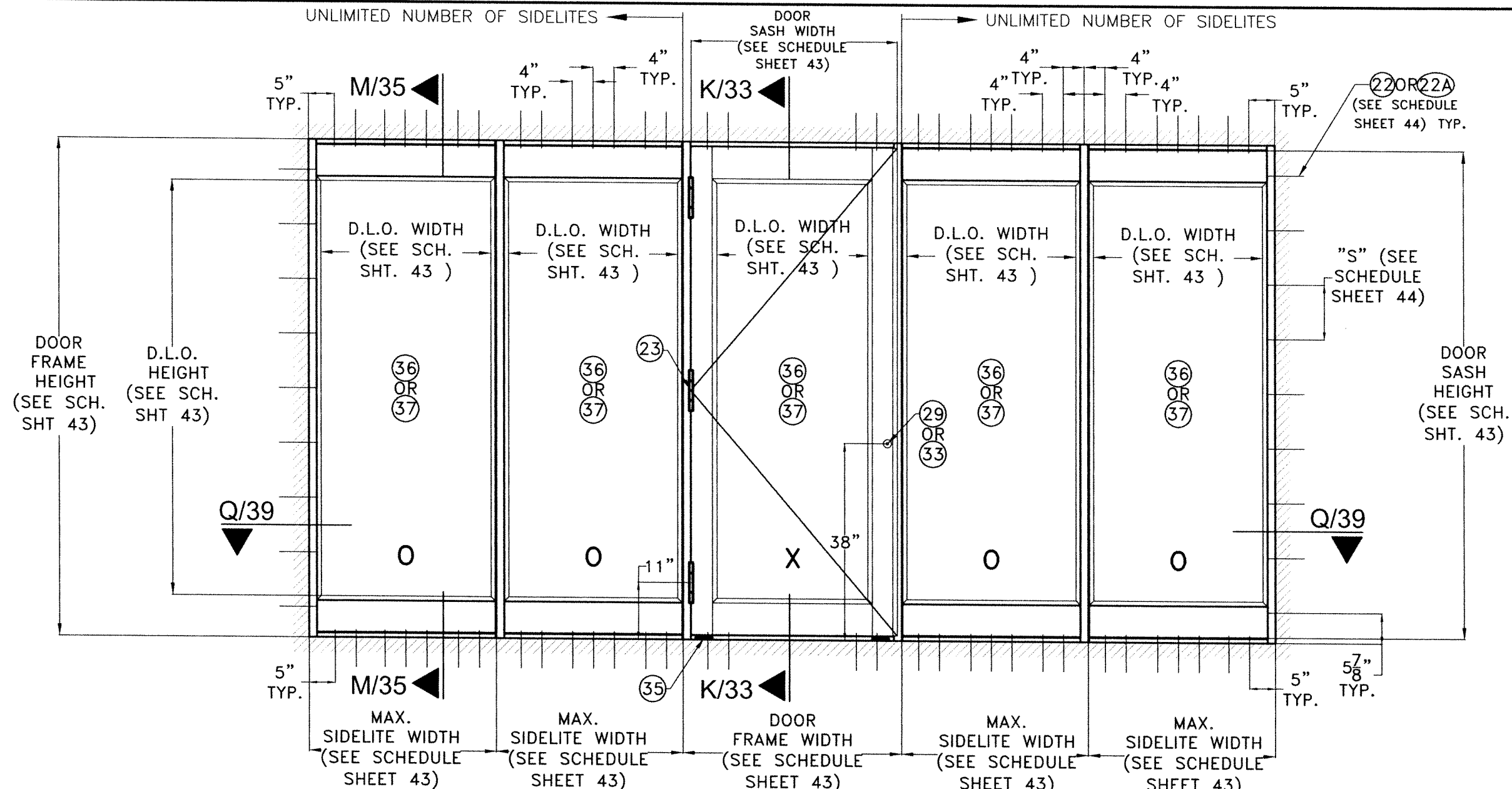
DRAWN BY
W.H.

09/06/2023
DATE

23-209
DRAWING No

REV. No	DESCRIPTION	DATE	REV. No	DESCRIPTION	DATE
1	OLD 23-156	09/06/23	2		

SHEET 28 OF 45

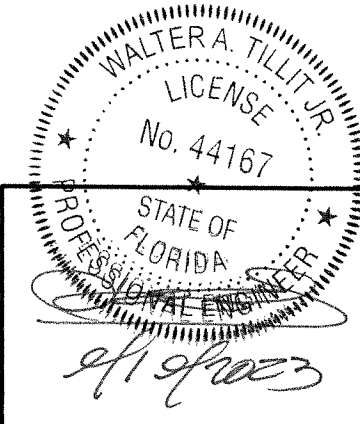


**TYPICAL EXTERIOR ELEVATION OF
SINGLE DOOR W/ SIDELITES ***
SCALE: N.T.S

NOTE: *

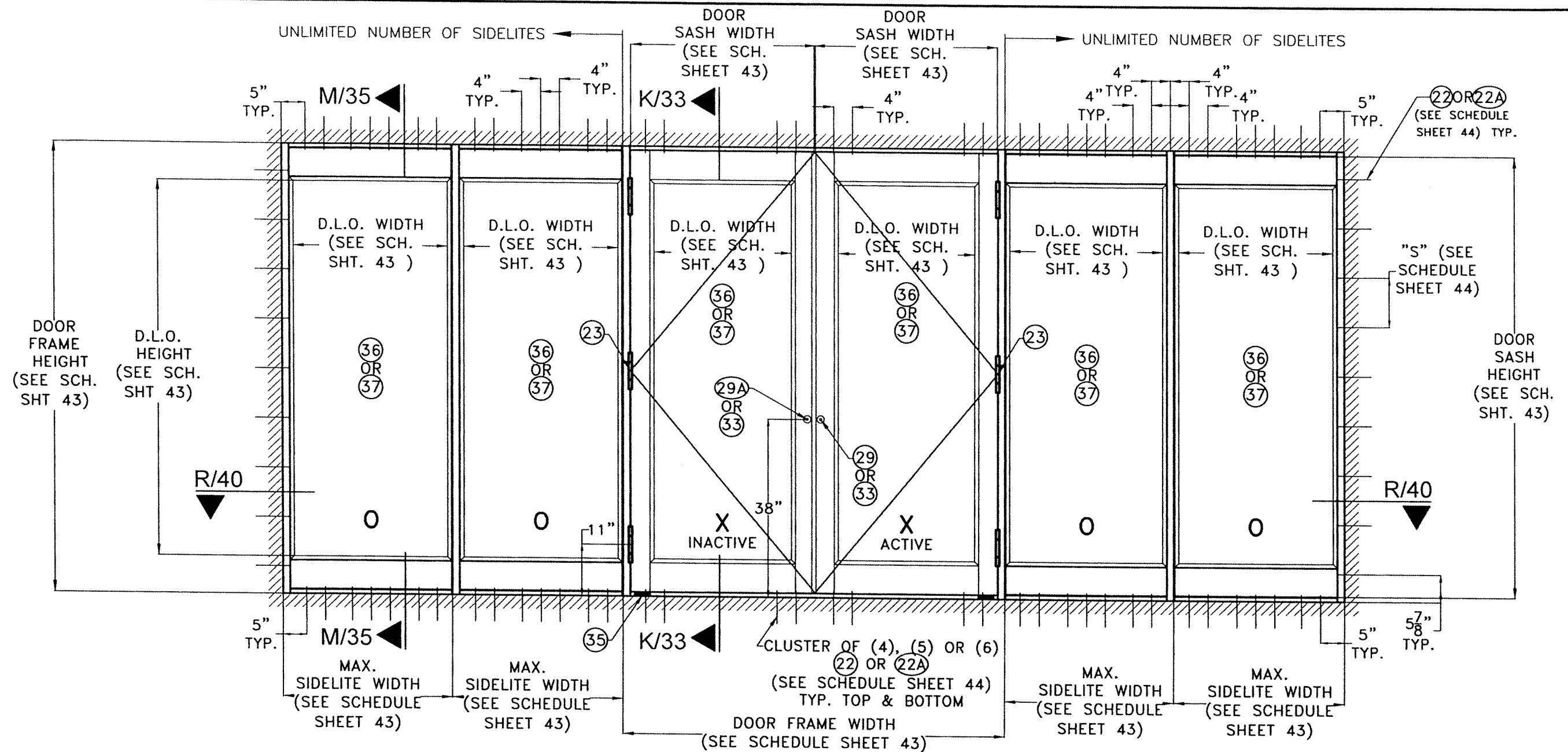
- (I) SINGLE OR DOUBLE FRENCH DOORS WITH TRANSOM MAY BE COMBINED IN ANY SUCCESSIVE ARRANGEMENT JOINTLY WITH FIXED GLASS SIDELITES TO CONFORM TO ANY INSTALLATION. FOR THIS COMBINATION TO BE FEASIBLE THE FOLLOWING PROCEDURE & REQUIREMENTS SHALL BE APPLIED:
 - (I.1) INTERIOR MULLIONS BETWEEN SIDELITES SHALL ALWAYS CONSIST OF MULLION DESCRIBED ON SECTIONS Q,R,S,I SHEETS 39 THRU 42 ADDITIONALLY ON SECTIONS X,Y SHEET 42A
 - (I.2) DOOR JAMB MULLIONS SHALL CONSIST OF MULLIONS DESCRIBED ON SECTIONS Q,R,S,I SHEETS 39 THRU 42 ADDITIONALLY ON SECTIONS X,Y SHEET 42A
 - (I.3) JAMBS SHALL ALWAYS BE ATTACHED TO EXISTING SUBSTRATES W/ ANCHORS AS PER GENERAL NOTE 9, SHEET 1 & AT SPACINGS PER SCHEDULE ON SHEET 43.
 - (I.4) TOP & BOTTOM ANCHORS FOR INTERIOR MULLIONS BETWEEN SIDELITES SHALL BE AS INDICATED ON ELEVATIONS SHEETS 29 THRU 32 ADDITIONALLY DOOR JAMB MULLION ELEVATION ON SHEET 42A AND SCHEDULES ON SHEET 43.
- (II) SUCCESSIVE SIDE LITES MAY BE INSTALLED AT RESIDENTIAL BUILDINGS AS LONG AS THE FOLLOWING PROCEDURE AND REQUIREMENTS APPLY.
 - (II.1) JAMBS ARE ATTACHED TO EXISTING SUBSTRATE AT BUILDINGS W/ANCHORAGE AS PER SCHEDULES ON SHEET 43.
 - (II.2) INTERIOR MULLIONS BETWEEN SIDELITES SHALL CONSIST OF MULLIONS DESCRIBED ON SECTIONS Q,R,S,I SHEETS 39 THRU 42 ADDITIONALLY ON SECTIONS X,Y SHEET 42A
 - (II.3) INTERIOR MULLIONS BETWEEN SIDELITES ARE ANCHORED TOP & BOTTOM W/ANCHORAGE PER SCHEDULES SHEET 43.

OPTIONAL SYSTEM # 2



P.E. SEAL/SIGNATURE/DATE

FLORIDA BUILDING CODE (HIGH & NON HIGH VELOCITY HURRICANE ZONE)		©2023 TILTECO, INC. TILTECO INC. TILLIT TESTING & ENGINEERING COMPANY 6355 N.W. 38th. St., Ste. 305, VIRGINIA GARDENS, FL 33166 Phone : (305)871-1530 . Fax : (305)871-1531 CA-0006719 WALTER A. TILLIT Jr. P.E. FLORIDA Lic. # 44167	SERIES 24000 LMSZ IMPACT RESISTANT OUTSWING FRENCH DOOR W/ TRANSOM OR W/ SIDELITES	DRAWN BY W.H. 09/06/2023 DATE 23-209 DRAWING No	
290 WEST 78 ROAD HIALEAH, FL 33014 PH: (954)226-5555/(305)558-8103 FAX: (305)558-6665 www.gigwindows.com					
REV. No	DESCRIPTION	DATE	REV. No	DESCRIPTION	DATE
1	OLD 23-156	09/06/23	2		



TYPICAL EXTERIOR ELEVATION OF DOUBLE DOOR W/ SIDELITES *
SCALE: N.T.S

- NOTE: ***
- (I) SINGLE OR DOUBLE FRENCH DOORS WITH TRANSOM MAY BE COMBINED IN ANY SUCCESSIVE ARRANGEMENT JOINTLY WITH FIXED GLASS SIDELITES TO CONFORM TO ANY INSTALLATION. FOR THIS COMBINATION TO BE FEASIBLE THE FOLLOWING PROCEDURE & REQUIREMENTS SHALL BE APPLIED:
 - (I.1) INTERIOR MULLIONS BETWEEN SIDELITES SHALL ALWAYS CONSIST OF MULLION DESCRIBED ON SECTIONS Q,R,S,I SHEETS 39 THRU 42 ADDITIONALLY ON SECTIONS X,Y SHEET 42A
 - (I.2) DOOR JAMB MULLIONS SHALL CONSIST OF MULLIONS DESCRIBED ON SECTIONS Q,R,S,I SHEETS 39 THRU 42 ADDITIONALLY ON SECTIONS X,Y SHEET 42A
 - (I.3) JAMBS SHALL ALWAYS BE ATTACHED TO EXISTING SUBSTRATES W/ ANCHORS AS PER GENERAL NOTE 9, SHEET 1 & AT SPACINGS PER SCHEDULE ON SHEET 43.
 - (I.4) TOP & BOTTOM ANCHORS FOR INTERIOR MULLIONS BETWEEN SIDELITES SHALL BE AS INDICATED ON ELEVATIONS SHEETS 29 THRU 32 ADDITIONALLY DOOR JAMB MULLION ELEVATION ON SHEET 42A AND SCHEDULES ON SHEET 43.
 - (II) SUCCESSIVE SIDE LITES MAY BE INSTALLED AT RESIDENTIAL BUILDINGS AS LONG AS THE FOLLOWING PROCEDURE AND REQUIREMENTS APPLY.
 - (II.1) JAMBS ARE ATTACHED TO EXISTING SUBSTRATE AT BUILDINGS W/ANCHORAGE AS PER SCHEDULES ON SHEET 43.
 - (II.2) INTERIOR MULLIONS BETWEEN SIDELITES SHALL CONSIST OF MULLIONS DESCRIBED ON SECTIONS Q,R,S,I SHEETS 39 THRU 42 ADDITIONALLY ON SECTIONS X,Y SHEET 42A
 - (II.3) INTERIOR MULLIONS BETWEEN SIDELITES ARE ANCHORED TOP & BOTTOM W/ANCHORAGE PER SCHEDULES SHEET 43.

OPTIONAL SYSTEM # 2

WALTER A. TILLIT JR.
LICENSE
No. 44167
STATE OF FLORIDA
PROFESSIONAL ENGINEER
9/1/2023
P.E. SEAL/SIGNATURE/DATE

FLORIDA BUILDING CODE (HIGH & NON HIGH VELOCITY HURRICANE ZONE)

©2023 TILTECO, INC

TILTECO INC.
TILLIT TESTING & ENGINEERING COMPANY
6355 N.W. 36th St., Ste. 305, VIRGINIA GARDENS, FL 33166
Phone : (305)871-1530 , Fax : (305)871-1531
CA-0006719
WALTER A. TILLIT Jr. P.E.
FLORIDA Lic. # 44167

**SERIES 24000 LMSZ IMPACT RESISTANT
OUTSWING FRENCH DOOR W/ TRANSOM
OR W/ SIDELITES**

290 WEST 78 ROAD
HIALEAH, FL 33014
PH: (954)226-5555/(305)558-8103
FAX: (305)558-6665
www.gigwindows.com

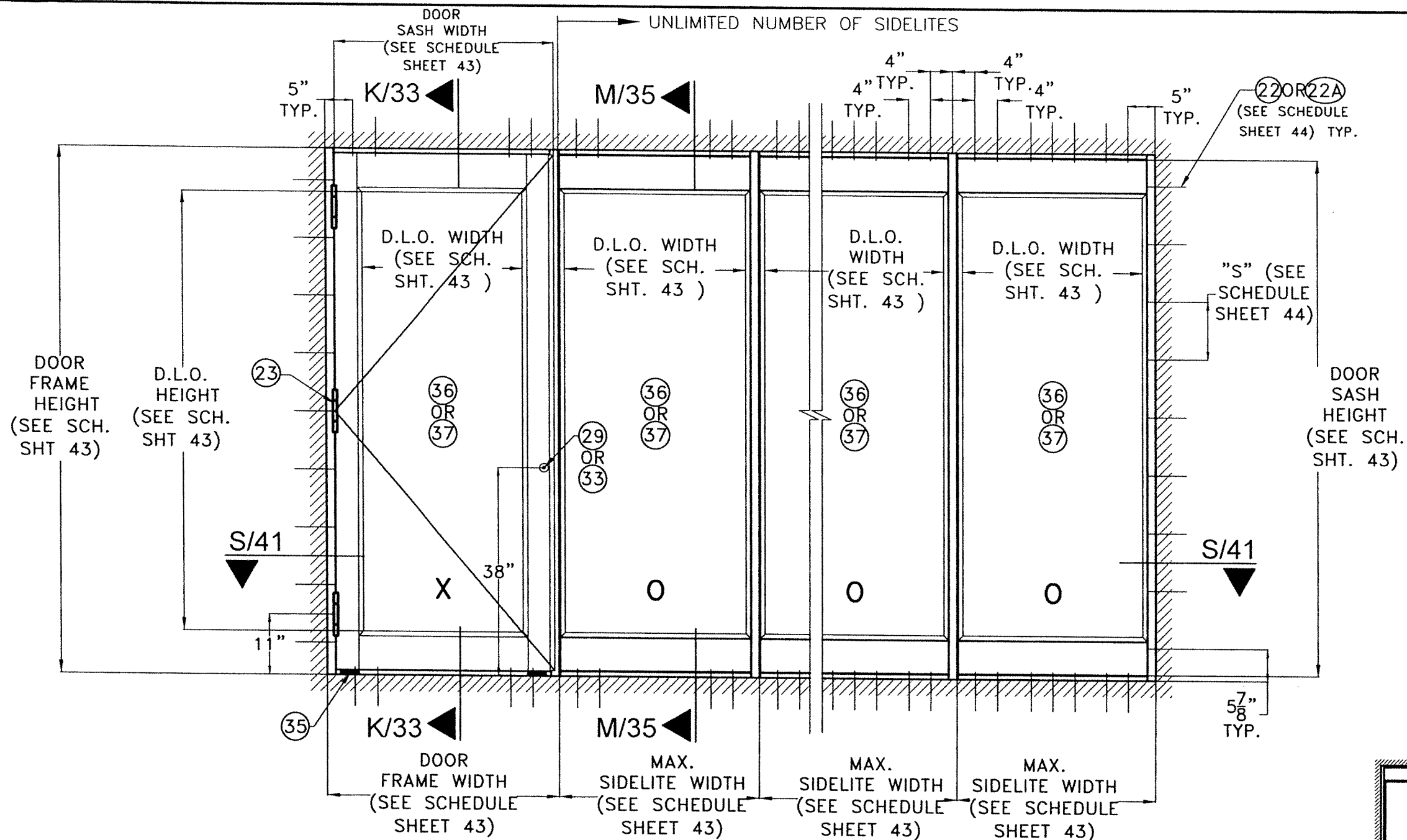
DRAWN BY
W.H.

09/06/2023
DATE

23-209
DRAWING No

REV. No	DESCRIPTION	DATE	REV. No	DESCRIPTION	DATE
1	OLD 23-156	09/06/23	2		

SHEET 30 OF 45



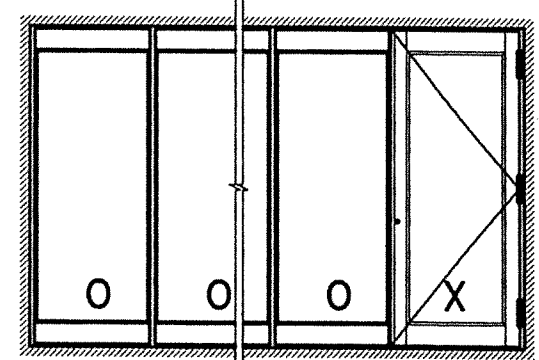
TYPICAL EXTERIOR ELEVATION OF SINGLE DOOR W/ SIDELITES **, **

SCALE: N.T.S

NOTE: *

- (I) SINGLE OR DOUBLE FRENCH DOORS WITH TRANSOM MAY BE COMBINED IN ANY SUCCESSIVE ARRANGEMENT JOINTLY WITH FIXED GLASS SIDELITES TO CONFORM TO ANY INSTALLATION. FOR THIS COMBINATION TO BE FEASIBLE THE FOLLOWING PROCEDURE & REQUIREMENTS SHALL BE APPLIED:
 - (I.1) INTERIOR MULLIONS BETWEEN SIDELITES SHALL ALWAYS CONSIST OF MULLION DESCRIBED ON SECTIONS Q,R,S,T SHEETS 39 THRU 42 ADDITIONALLY ON SECTIONS X,Y SHEET 42A
 - (I.2) DOOR JAMB MULLIONS SHALL CONSIST OF MULLIONS DESCRIBED ON SECTIONS Q,R,S,T SHEETS 39 THRU 42 ADDITIONALLY ON SECTIONS X,Y SHEET 42A
 - (I.3) JAMBS SHALL ALWAYS BE ATTACHED TO EXISTING SUBSTRATES W/ ANCHORS AS PER GENERAL NOTE 9, SHEET 1 & AT SPACINGS PER SCHEDULE ON SHEET 43.
 - (I.4) TOP & BOTTOM ANCHORS FOR INTERIOR MULLIONS BETWEEN SIDELITES SHALL BE AS INDICATED ON ELEVATIONS SHEETS 29 THRU 32 ADDITIONALLY DOOR JAMB MULLION ELEVATION ON SHEET 42A AND SCHEDULES ON SHEET 43.
- (II) SUCCESSIVE SIDE LITES MAY BE INSTALLED AT RESIDENTIAL BUILDINGS AS LONG AS THE FOLLOWING PROCEDURE AND REQUIREMENTS APPLY.
 - (II.1) JAMBS ARE ATTACHED TO EXISTING SUBSTRATE AT BUILDINGS W/ANCHORAGE AS PER SCHEDULES ON SHEET 43.
 - (II.2) INTERIOR MULLIONS BETWEEN SIDELITES SHALL CONSIST OF MULLIONS DESCRIBED ON SECTIONS Q,R,S,T SHEETS 39 THRU 42 ADDITIONALLY ON SECTIONS X,Y SHEET 42A
 - (II.3) INTERIOR MULLIONS BETWEEN SIDELITES ARE ANCHORED TOP & BOTTOM W/ANCHORAGE PER SCHEDULES SHEET 43.

OPTIONAL SYSTEM # 2



** QUALIFIES MIRROR CONFIGURATION TOO.

WALTER A. TILLIT
 No. 44167
 STATE OF FLORIDA
 PROFESSIONAL ENGINEER
 P.E. SEAL/SIGNATURE/DATE

©2023 TILTECO, INC.
TILTECO INC.
 TILLIT TESTING & ENGINEERING COMPANY
 6355 N.W. 30th St., Ste. 305, VIRGINIA GARDENS, FL 33186
 Phone : (305)871-1530 , Fax : (305)871-1531
 CA-0006719
 WALTER A. TILLIT Jr. P.E.
 FLORIDA Lic. # 44167

FLORIDA BUILDING CODE (HIGH & NON HIGH VELOCITY HURRICANE ZONE)

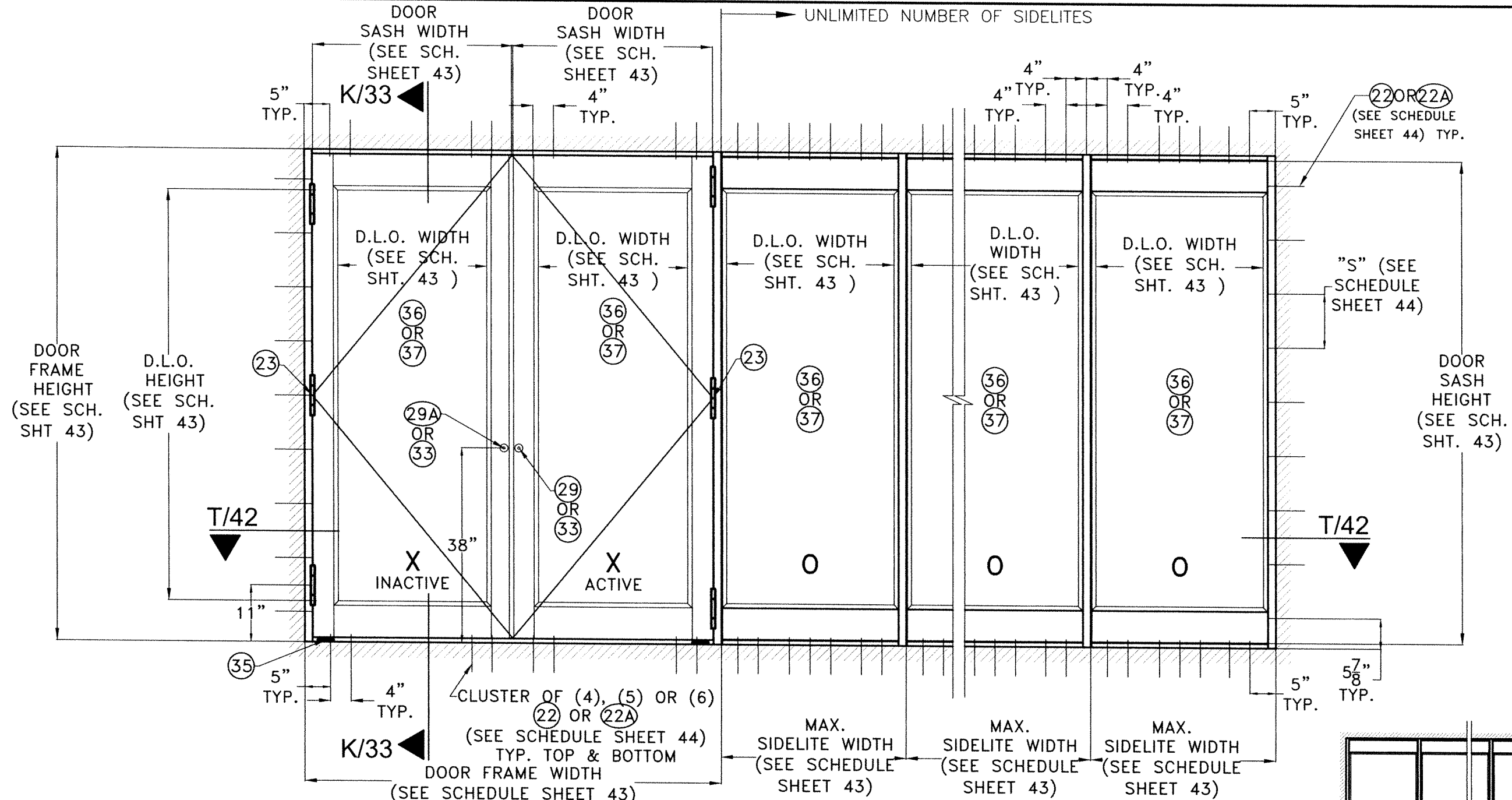
SERIES 24000 LMSZ IMPACT RESISTANT OUTSWING FRENCH DOOR W/ TRANSOM OR W/ SIDELITES

290 WEST 78 ROAD
 HIALEAH, FL 33014
 PH: (954)226-5555/(305)358-8103
 FAX: (305)558-6665
 www.gigwindows.com

WALTER A. TILLIT Jr. P.E.
 FLORIDA Lic. # 44167

REV. No	DESCRIPTION	DATE	REV. No	DESCRIPTION	DATE
1	OLD 23-156	09/06/23	2		

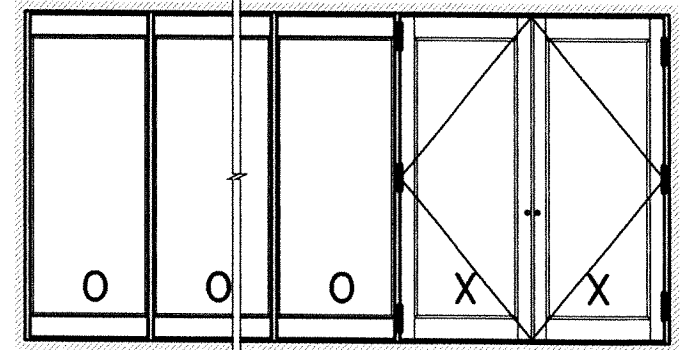
DRAWN BY W.H.
 DATE 09/06/2023
 DRAWING No 23-209
 SHEET 31 OF 45



OPTIONAL SYSTEM # 2

TYPICAL EXTERIOR ELEVATION OF DOUBLE DOOR W/ SIDELITES *, **

SCALE:N.T.S



** QUALIFIES MIRROR CONFIGURATION TOO.

- NOTE: ***
- (I) SINGLE OR DOUBLE FRENCH DOORS WITH TRANSOM MAY BE COMBINED IN ANY SUCCESSIVE ARRANGEMENT JOINTLY WITH FIXED GLASS SIDELITES TO CONFORM TO ANY INSTALLATION. FOR THIS COMBINATION TO BE FEASIBLE THE FOLLOWING PROCEDURE & REQUIREMENTS SHALL BE APPLIED:
 - (I.1) INTERIOR MULLIONS BETWEEN SIDELITES SHALL ALWAYS CONSIST OF MULLION DESCRIBED ON SECTIONS Q,R,S,I SHEETS 39 THRU 42 ADDITIONALLY ON SECTIONS X,Y SHEET 42A
 - (I.2) DOOR JAMB MULLIONS SHALL CONSIST OF MULLIONS DESCRIBED ON SECTIONS Q,R,S,I SHEETS 39 THRU 42 ADDITIONALLY ON SECTIONS X,Y SHEET 42A
 - (I.3) JAMBS SHALL ALWAYS BE ATTACHED TO EXISTING SUBSTRATES W/ ANCHORS AS PER GENERAL NOTE Q, SHEET 1 & AT SPACINGS PER SCHEDULE ON SHEET 43.
 - (I.4) TOP & BOTTOM ANCHORS FOR INTERIOR MULLIONS BETWEEN SIDELITES SHALL BE AS INDICATED ON ELEVATIONS SHEETS 29 THRU 32 ADDITIONALLY DOOR JAMB MULLION ELEVATION ON SHEET 42A AND SCHEDULES ON SHEET 43.
 - (II) SUCCESSIVE SIDE LITES MAY BE INSTALLED AT RESIDENTIAL BUILDINGS AS LONG AS THE FOLLOWING PROCEDURE AND REQUIREMENTS APPLY.
 - (II.1) JAMBS ARE ATTACHED TO EXISTING SUBSTRATE AT BUILDINGS W/ANCHORAGE AS PER SCHEDULES ON SHEET 43.
 - (II.2) INTERIOR MULLIONS BETWEEN SIDELITES SHALL CONSIST OF MULLIONS DESCRIBED ON SECTIONS Q,R,S,I SHEETS 39 THRU 42 ADDITIONALLY ON SECTIONS X,Y SHEET 42A
 - (II.3) INTERIOR MULLIONS BETWEEN SIDELITES ARE ANCHORED TOP & BOTTOM W/ANCHORAGE PER SCHEDULES SHEET 43.

WALTER A. TILLIT JR.
 LICENSE
 No. 44167
 STATE OF FLORIDA
 PROFESSIONAL ENGINEER
 06/09/2023
 P.E. SEAL/SIGNATURE/DATE

©2023 TILTECO, INC.
TILTECO INC.
 TILLIT TESTING & ENGINEERING COMPANY
 6355 N.W. 36th. St., Ste. 305, VIRGINIA GARDENS, FL 33166
 Phone : (305)871-1530 . Fax : (305)871-1531
 CA-0006719
 WALTER A. TILLIT Jr., P.E.
 FLORIDA Lic. # 44167

FLORIDA BUILDING CODE (HIGH & NON HIGH VELOCITY HURRICANE ZONE)

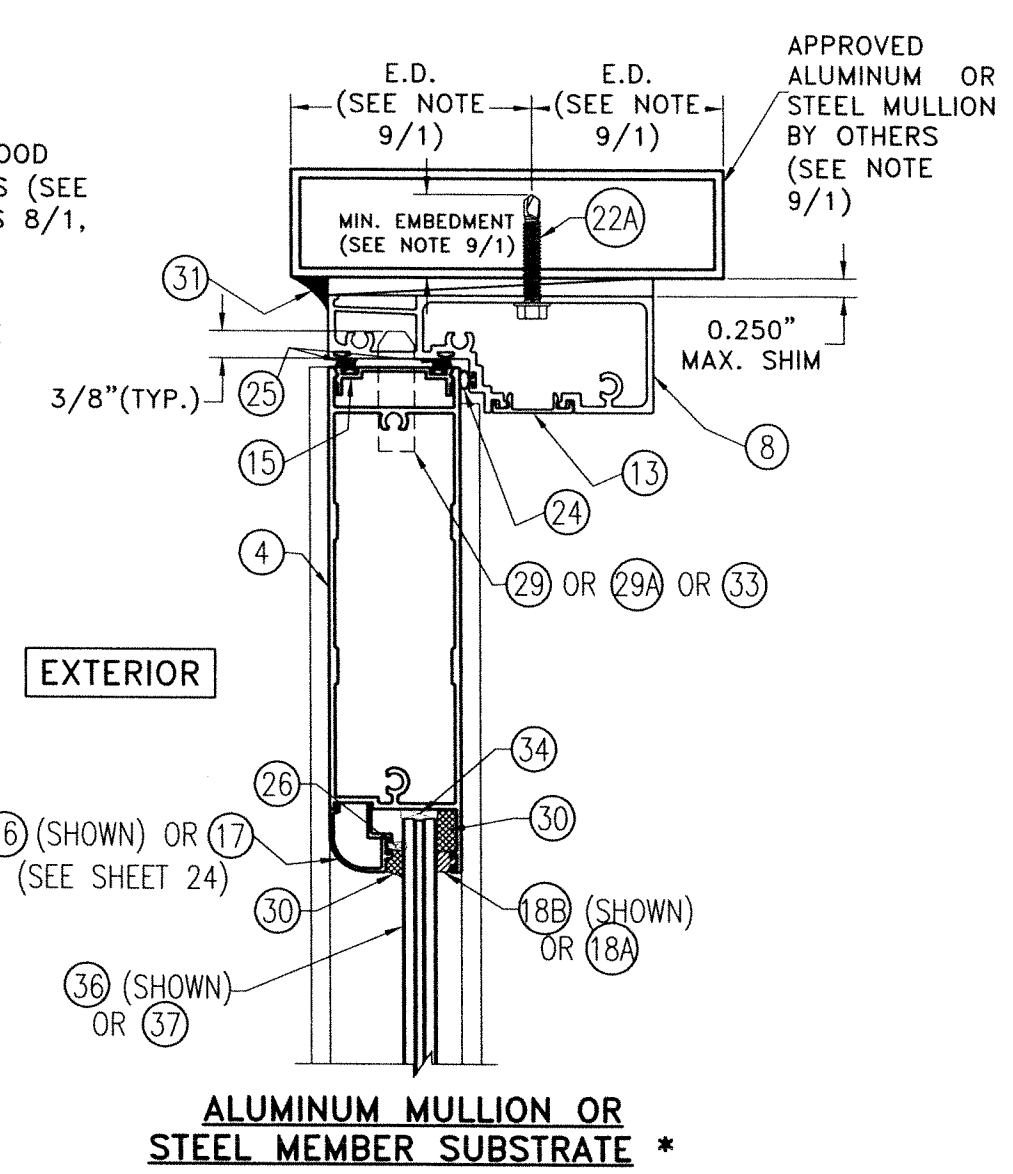
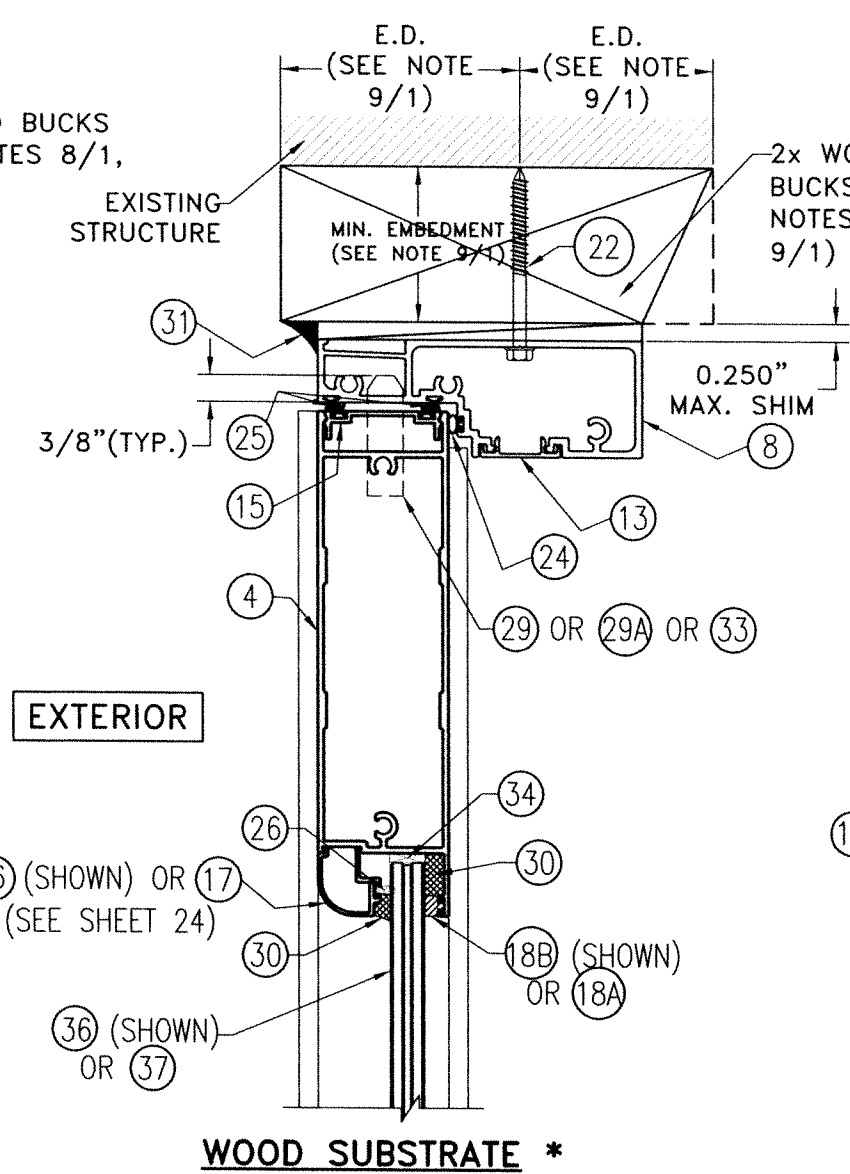
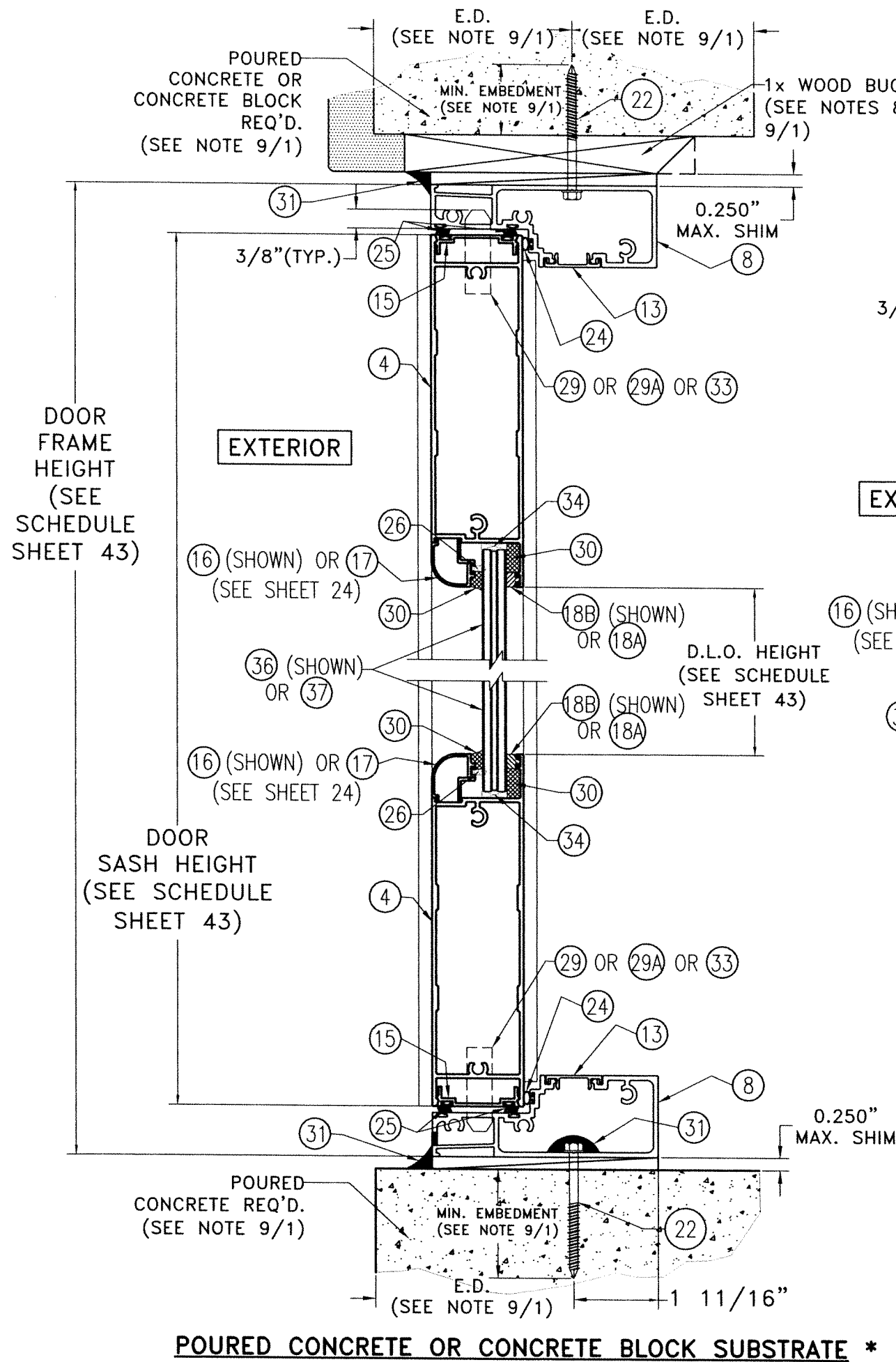
SERIES 24000 LMSZ IMPACT RESISTANT OUTSWING FRENCH DOOR W/ TRANSOM OR W/ SIDELITES

REV. No	DESCRIPTION	DATE	REV. No	DESCRIPTION	DATE
1	OLD 23-156	09/06/23	2		

290 WEST 78 ROAD
 HIALEAH, FL 33014
 PH: (954)226-5555/(305)558-8103
 FAX: (305)558-6665
 www.gigwindows.com

STG
 WINDOWS & DOORS

DRAWN BY W.H.
 DATE 09/06/2023
 DRAWING No 23-209
 SHEET 32 OF 45



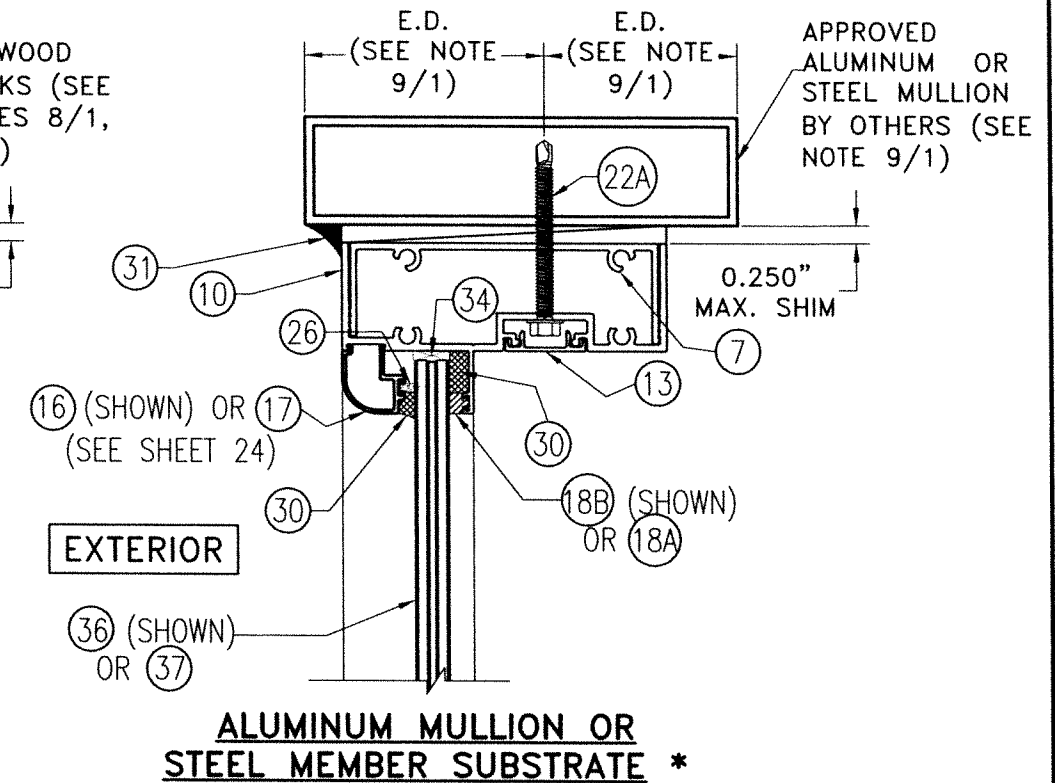
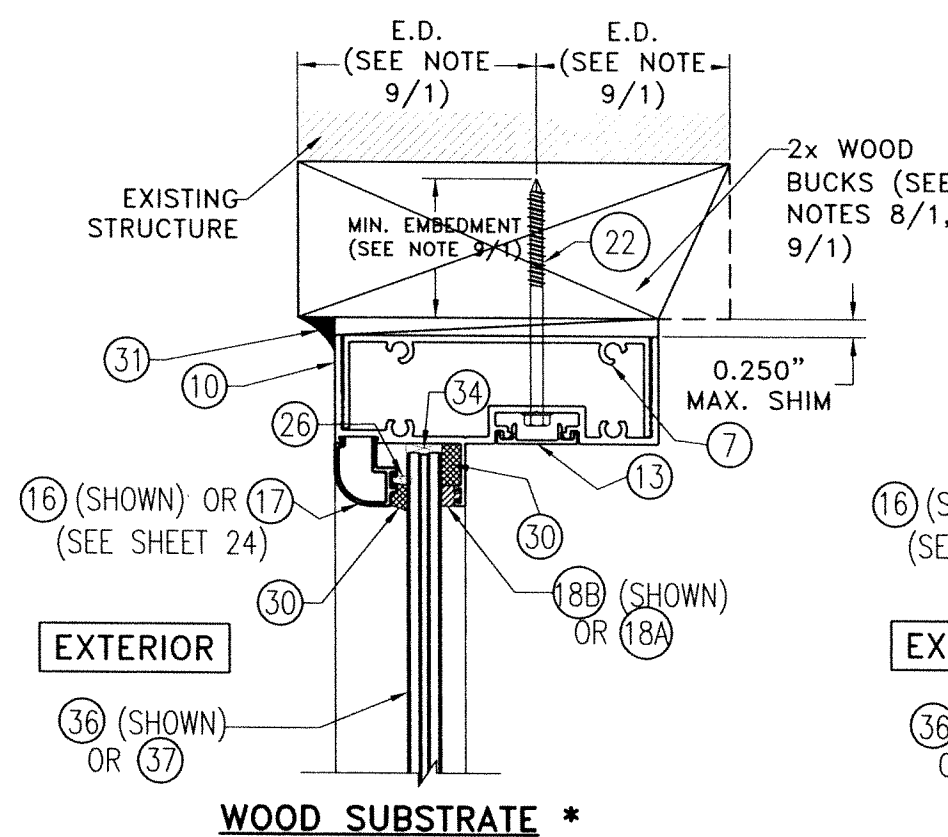
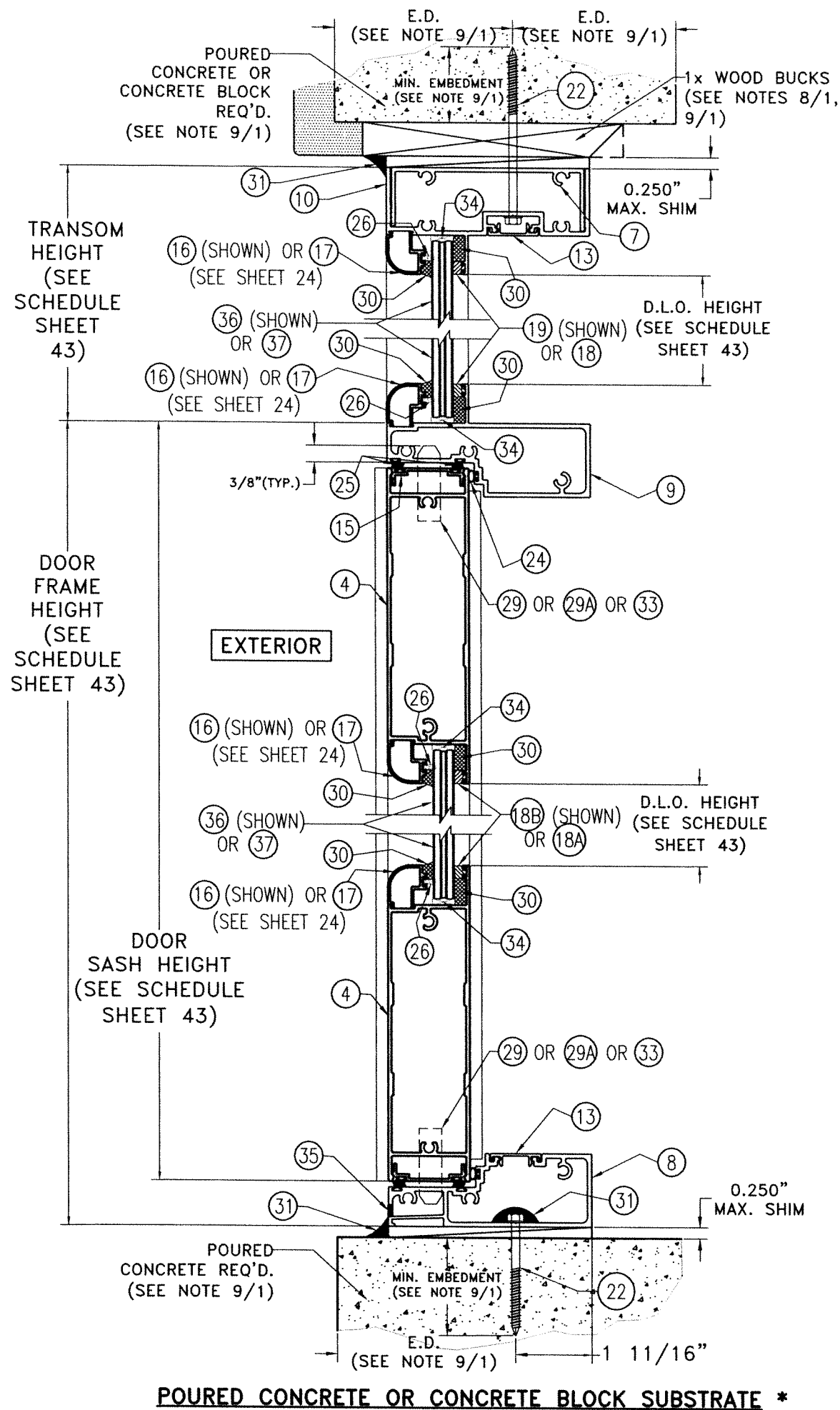
SECTION K-K
SCALE: N.T.S.
OPTIONAL SYSTEM # 2

* TOP & BOTTOM MOUNTING INSTALLATIONS INTO SUBSTRATES, BY MEANS OF 1x, 2x, NO WOOD BUCK OR METAL MULLION MAY BE COMBINED IN ANY WAY TO SUIT ANY INSTALLATION AT TOP OR BOTTOM. IN CASE THAT ALUMINUM OR STEEL MULLION WAS USED AT SILL, BUILDING OFFICIAL MUST VERIFY ITS STRUCTURAL ADEQUACY.

WALTER A. TILLIT JR.
LICENSE
No. 44167
STATE OF FLORIDA
PROFESSIONAL ENGINEER
P.E. SEAL/SIGNATURE/DATE

FLORIDA BUILDING CODE (HIGH & NON HIGH VELOCITY HURRICANE ZONE)

©2023 TILTECO, INC.	TILTECO INC.	SERIES 24000 LMSZ IMPACT RESISTANT OUTSWING FRENCH DOOR W/ TRANSOM OR W/ SIDELITES	DRAWN BY W.H.			
TILLIT TESTING & ENGINEERING COMPANY 6355 N.W. 38th. St., Ste. 305, VIRGINIA GARDENS, FL 33166 Phone : (305)871-1530 . Fax : (305)871-1531 CA-0006719		290 WEST 78 ROAD HIALEAH, FL 33014 PH: (954)226-5555/(305)558-8103 FAX: (305)558-6665 www.gigwindows.com	09/06/2023 DATE			
WALTER A. TILLIT JR. P.E. FLORIDA Lic. # 44167		23-209 DRAWING No	23-209 DRAWING No			
REV. No	DESCRIPTION	DATE	REV. No	DESCRIPTION	DATE	SHEET 33 OF 45
1	OLD 23-156	09/06/23	2			

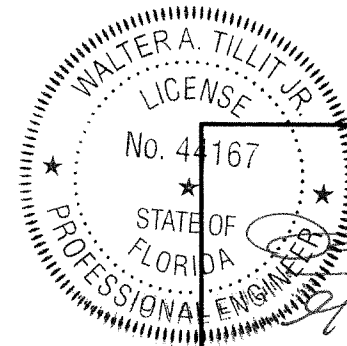


SECTION L-L

SCALE: N.T.S

OPTIONAL SYSTEM # 2

* TOP & BOTTOM MOUNTING INSTALLATIONS INTO SUBSTRATES, BY MEANS OF 1x, 2x, NO WOOD BUCK OR METAL MULLION MAY BE COMBINED IN ANY WAY TO SUIT ANY INSTALLATION AT TOP OR BOTTOM. IN CASE THAT ALUMINUM OR STEEL MULLION WAS USED AT SILL, BUILDING OFFICIAL MUST VERIFY ITS STRUCTURAL ADEQUACY.



P.E. SEAL/SIGNATURE/DATE

©2023 TILTECO, INC.

TILTECO INC.

TILLIT TESTING & ENGINEERING COMPANY
 6355 N.W. 36th. St., Ste. 305, VIRGINIA GARDENS, FL. 33186
 Phone : (305)871-1530 . Fax : (305)871-1531
 CA-0006719

WALTER A. TILLIT Jr. P.E.
 FLORIDA Lic. # 44167

FLORIDA BUILDING CODE (HIGH & NON HIGH VELOCITY HURRICANE ZONE)

SERIES 24000 LMSZ IMPACT RESISTANT
 OUTSWING FRENCH DOOR W/ TRANSOM
 OR W/ SIDELITES

290 WEST 78 ROAD
 HIALEAH, FL. 33014
 PH: (954)226-5555/(305)558-8103
 FAX: (305)558-6665
 www.gigwindows.com

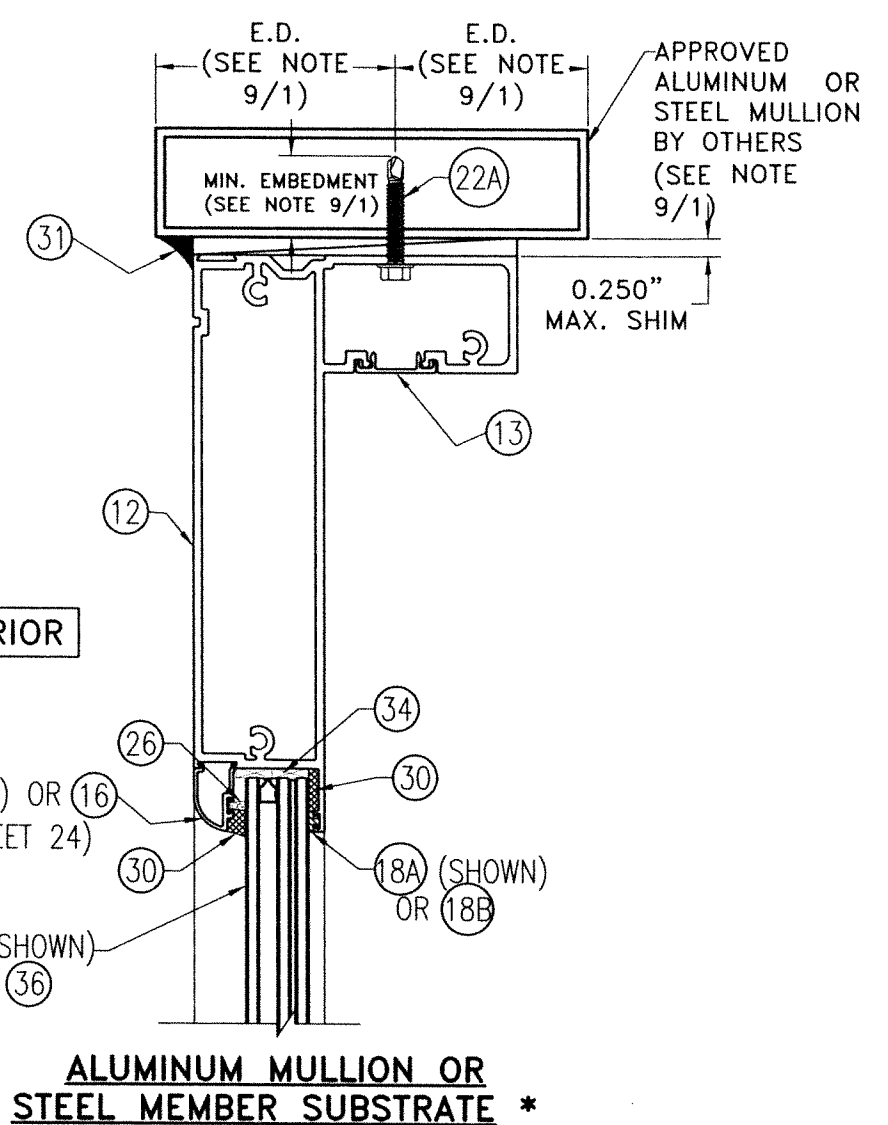
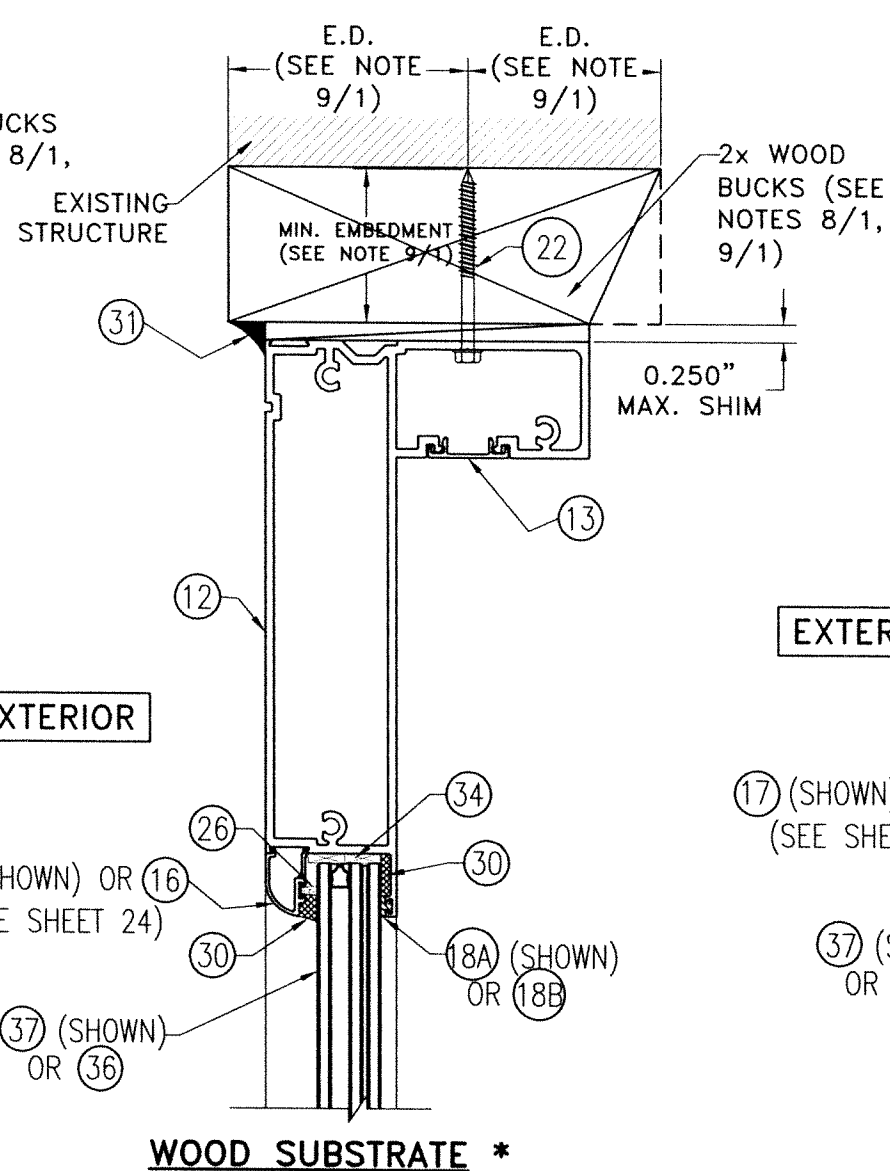
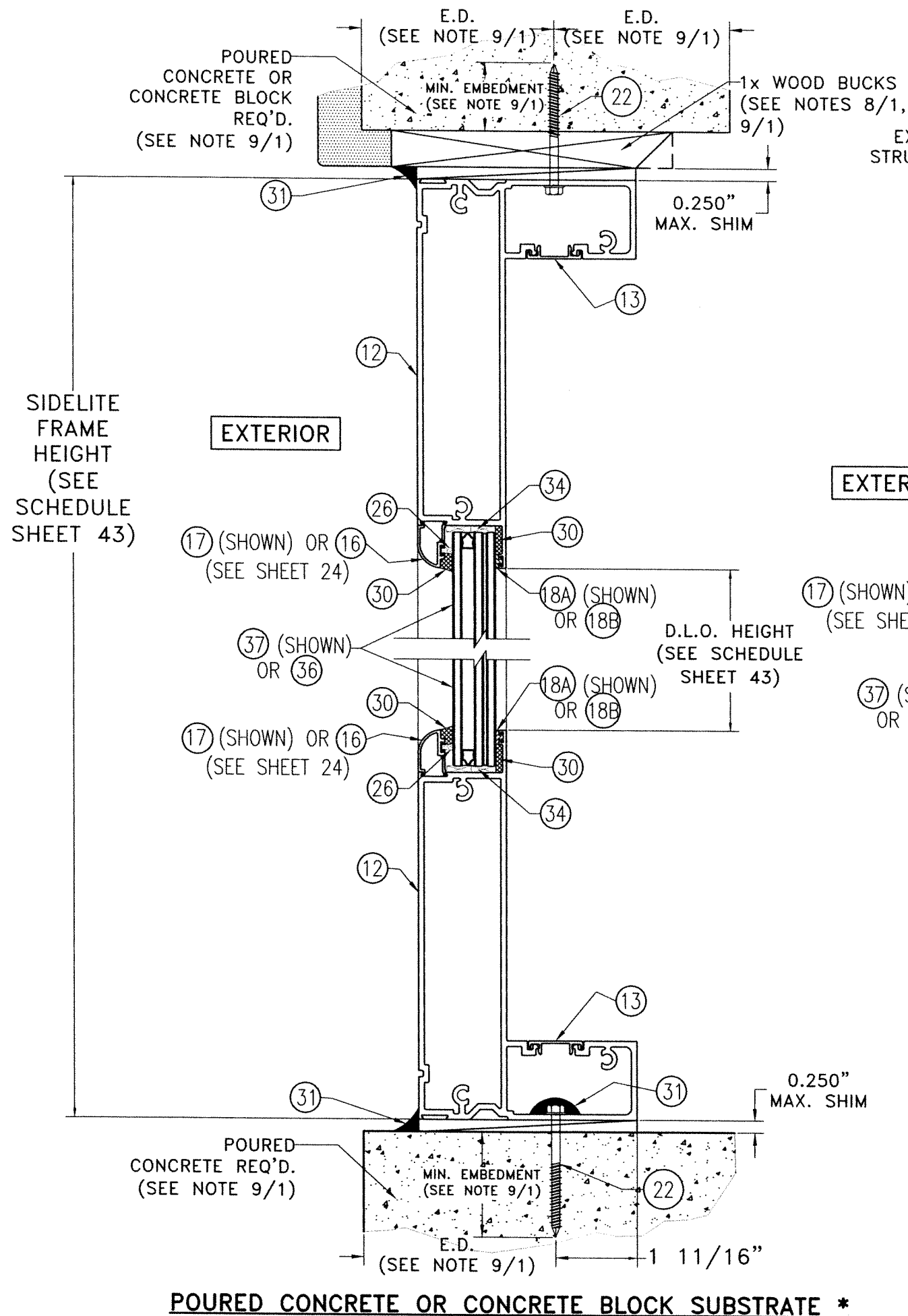
REV. No	DESCRIPTION	DATE	REV. No	DESCRIPTION	DATE
1	OLD 23-156	09/06/23	2		

DRAWN BY
 W.H.

09/06/2023
 DATE

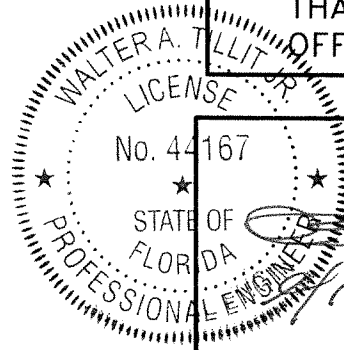
23-209
 DRAWING No

SHEET 34 OF 45



SECTION M-M
SCALE: N.T.S
OPTIONAL SYSTEM # 2

* TOP & BOTTOM MOUNTING INSTALLATIONS INTO SUBSTRATES, BY MEANS OF 1x, 2x, NO WOOD BUCK OR METAL MULLION MAY BE COMBINED IN ANY WAY TO SUIT ANY INSTALLATION AT TOP OR BOTTOM. IN CASE THAT ALUMINUM OR STEEL MULLION WAS USED AT SILL, BUILDING OFFICIAL MUST VERIFY ITS STRUCTURAL ADEQUACY.



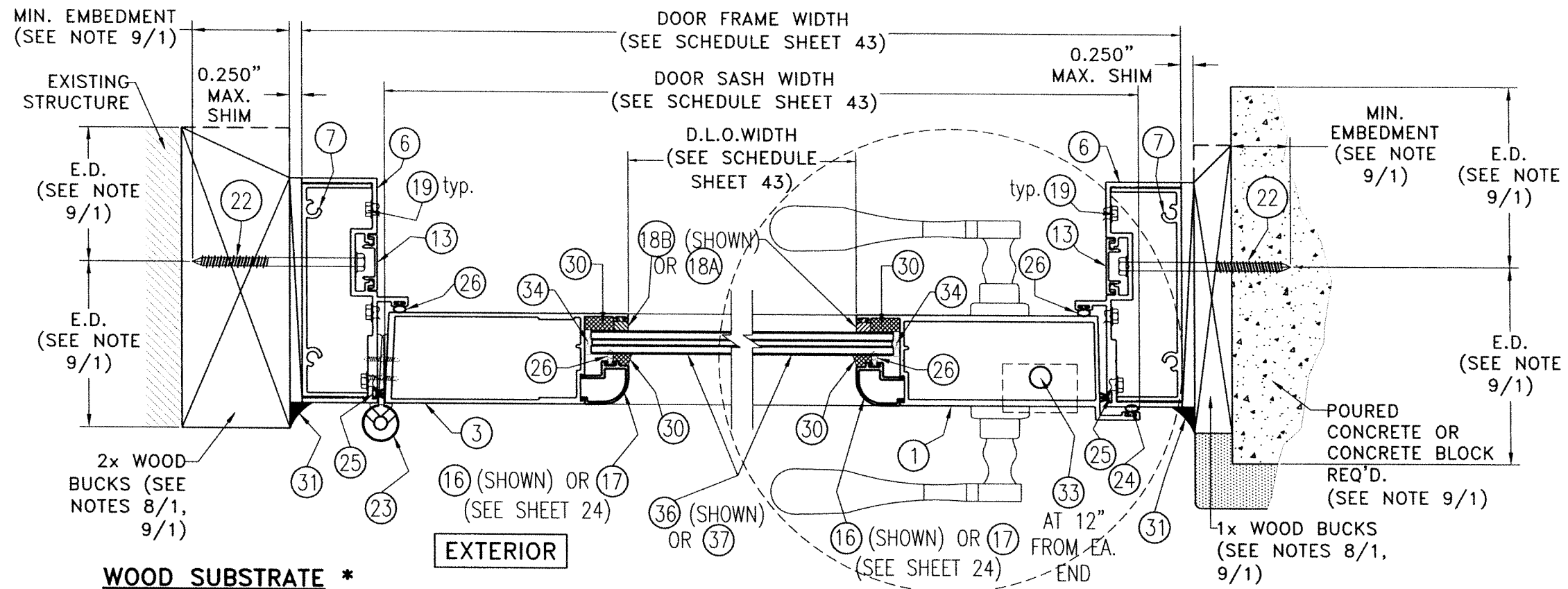
P.E. SEAL/SIGNATURE/DATE

©2023 TILTECO, INC.
TILTECO INC.
TILLIT TESTING & ENGINEERING COMPANY
6355 N.W. 36th. St., Ste. 305, VIRGINIA GARDENS, FL. 33168
Phone : (305)871-1530 . Fax : (305)871-1531
CA-0006719
WALTER A. TILLIT Jr. P.E.
FLORIDA Lic. # 44167

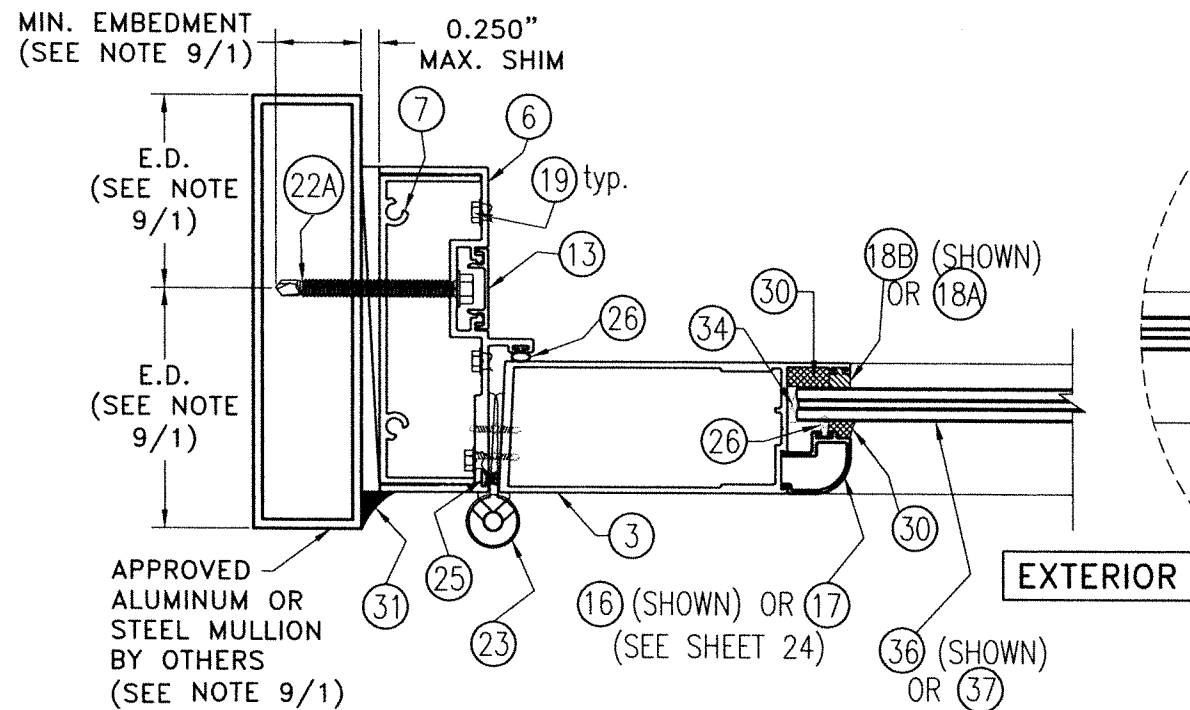
FLORIDA BUILDING CODE (HIGH & NON HIGH VELOCITY HURRICANE ZONE)

SERIES 24000 LMSZ IMPACT RESISTANT OUTSWING FRENCH DOOR W/ TRANSOM OR W/ SIDELITES		DRAWN BY W.H.
		09/06/2023 DATE
290 WEST 78 ROAD HIALEAH, FL. 33014 PH: (954)226-5555/(305)558-8103 FAX: (305)558-6665 www.gigwindows.com		23-209 DRAWING No
REV. No	DESCRIPTION	DATE
1	OLD 23-156	09/06/23
2		

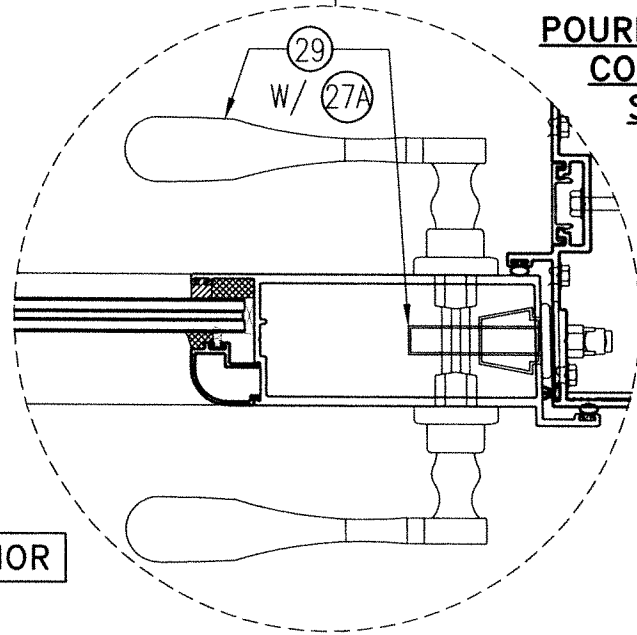
SHEET 35 OF 45



WOOD SUBSTRATE *



ALUMINUM MULLION OR STEEL MEMBER SUBSTRATE *



POURED CONCRETE OR CONCRETE BLOCK SUBSTRATE *

* JAMB MOUNTING INSTALLATIONS INTO SUBSTRATES, BY MEANS OF 1x, 2x, NO WOOD BUCK OR METAL MULLION MAY BE COMBINED IN ANY WAY TO SUIT ANY INSTALLATION AT JAMBS.

OPTIONAL SYSTEM # 2

SECTION N-N @ SINGLE DOOR
SCALE: N.T.S.

VARIANCE W/ (29)
WALTER A. TILLIT JR.
LICENSE
No. 44167
STATE OF FLORIDA
PROFESSIONAL ENGINEER
P.E. SEAL/SIGNATURE/DATE

FLORIDA BUILDING CODE (HIGH & NON HIGH VELOCITY HURRICANE ZONE)

©2023 TILTECO, INC.

TILTECO INC.
TILLIT TESTING & ENGINEERING COMPANY
6355 N.W. 36th. St., Ste. 305, VIRGINIA GARDENS, FL 33186
Phone : (305)871-1530 . Fax : (305)871-1531
CA-0006719

WALTER A. TILLIT Jr. P.E.
FLORIDA Lic. # 44167

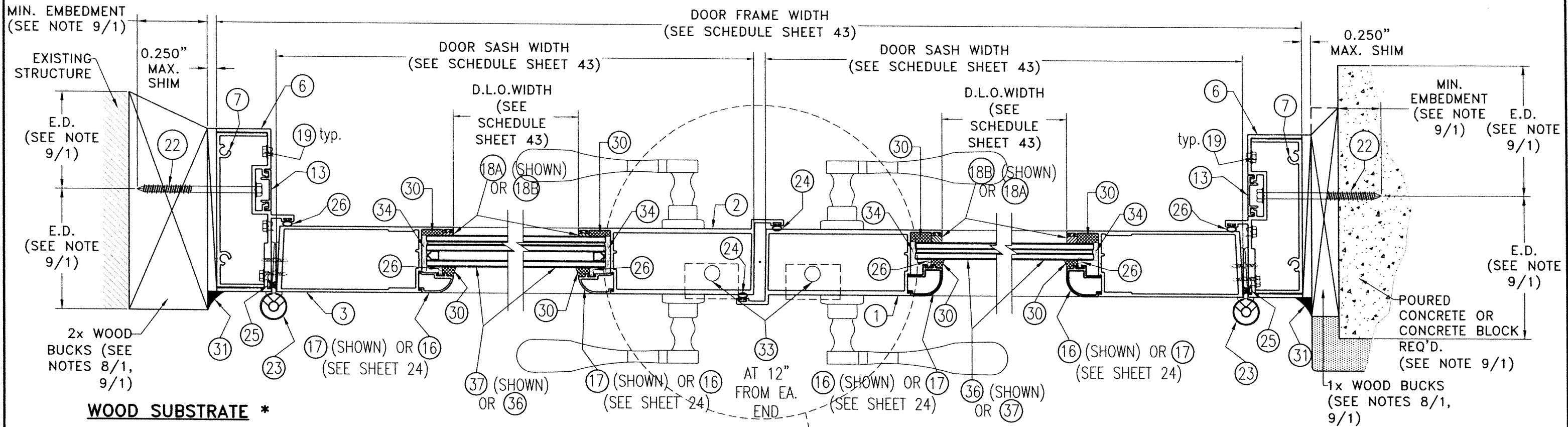
SERIES 24000 LMSZ IMPACT RESISTANT OUTSWING FRENCH DOOR W/ TRANSOM OR W/ SIDELITES

290 WEST 78 ROAD
HALEAH, FL 33014
PH: (954)226-5555/(305)558-8103
FAX: (305)558-6665
www.gigwindows.com

DRAWN BY W.H.
DATE 09/06/2023
DRAWING No 23-209

REV. No	DESCRIPTION	DATE	REV. No	DESCRIPTION	DATE
1	OLD 23-156	09/06/23	2		

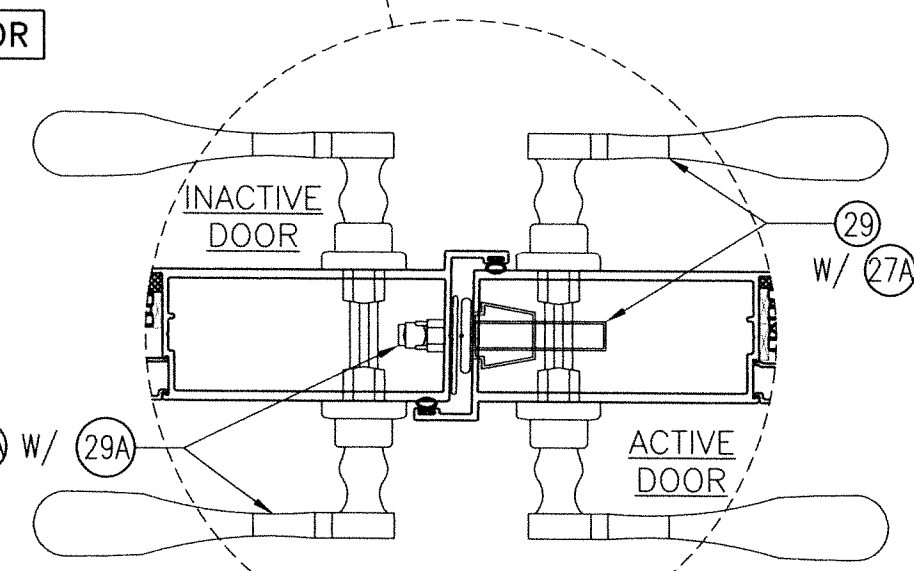
SHEET 36 OF 45



WOOD SUBSTRATE *

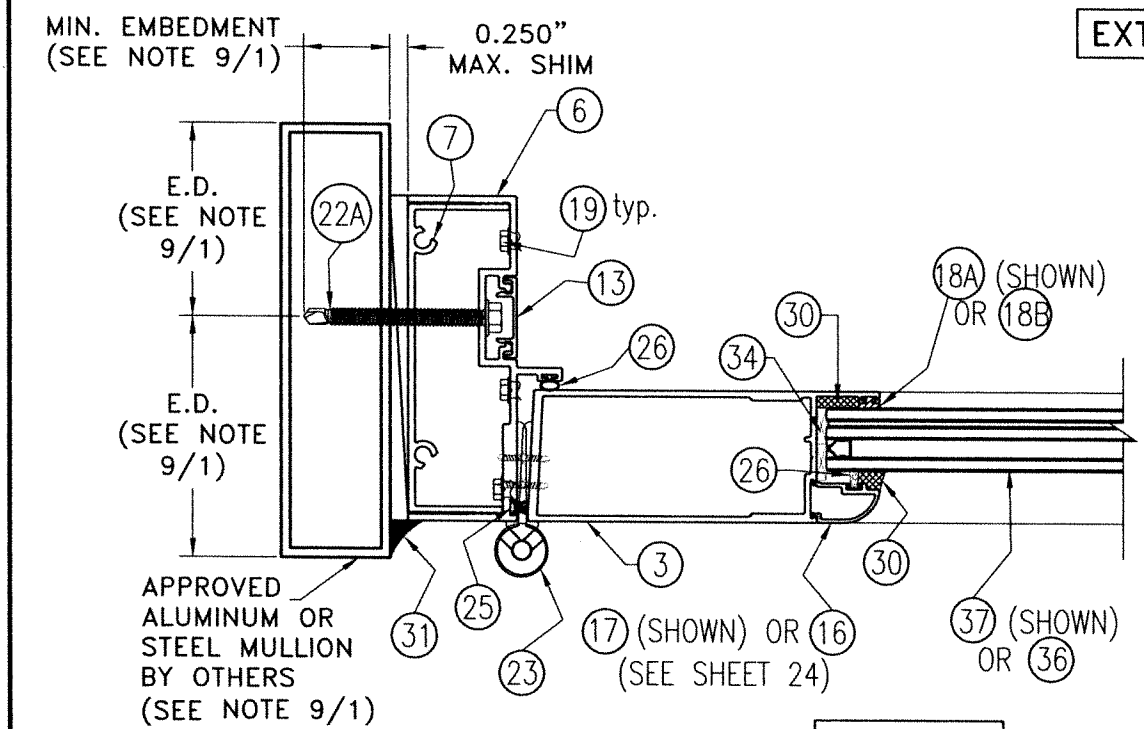
POURED CONCRETE OR CONCRETE BLOCK SUBSTRATE *

EXTERIOR



VARIANCE W/ (29) & (29A)

* JAMB MOUNTING INSTALLATIONS INTO SUBSTRATES, BY MEANS OF 1x, 2x, NO WOOD BUCK OR METAL MULLION MAY BE COMBINED IN ANY WAY TO SUIT ANY INSTALLATION AT JAMBS.



ALUMINUM MULLION OR STEEL MEMBER SUBSTRATE *

EXTERIOR

OPTIONAL SYSTEM # 2

SECTION 0-0 @ DOUBLE DOOR

SCALE: N.T.S

WALTER A. TILLIT JR.
LICENSE
No. 44167
STATE OF FLORIDA
PROFESSIONAL ENGINEER
P.E. SEAL/SIGNATURE/DATE

FLORIDA BUILDING CODE (HIGH & NON HIGH VELOCITY HURRICANE ZONE)

©2023 TILTECO, INC.

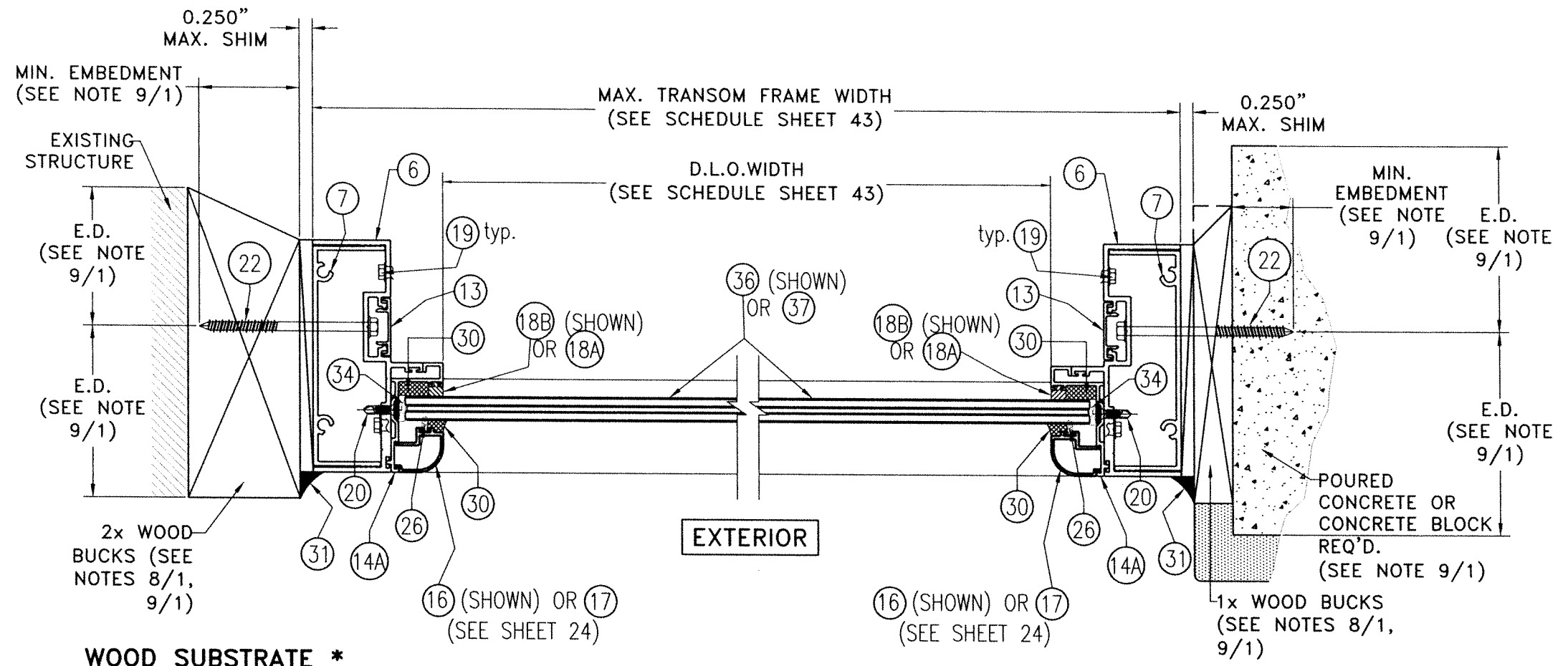
TILTECO INC.
TILLIT TESTING & ENGINEERING COMPANY
6355 N.W. 36th St., Ste. 305, VIRGINIA GARDENS, FL 33166
Phone: (305)871-1530 Fax: (305)871-1531 CA-0006719
WALTER A. TILLIT Jr. P.E.
FLORIDA Lic. # 44167

SERIES 24000 LMSZ IMPACT RESISTANT OUTSWING FRENCH DOOR W/ TRANSOM OR W/ SIDELITES

290 WEST 78 ROAD
HALEAH, FL 33014
PH: (954)226-5555/(305)558-8103
FAX: (305)558-6665
www.gigwindows.com

REV. No	DESCRIPTION	DATE	REV. No	DESCRIPTION	DATE
1	OLD 23-156	09/06/23	2		

DRAWN BY W.H.
DATE 09/06/2023
DRAWING No 23-209
SHEET 37 OF 45



WOOD SUBSTRATE *

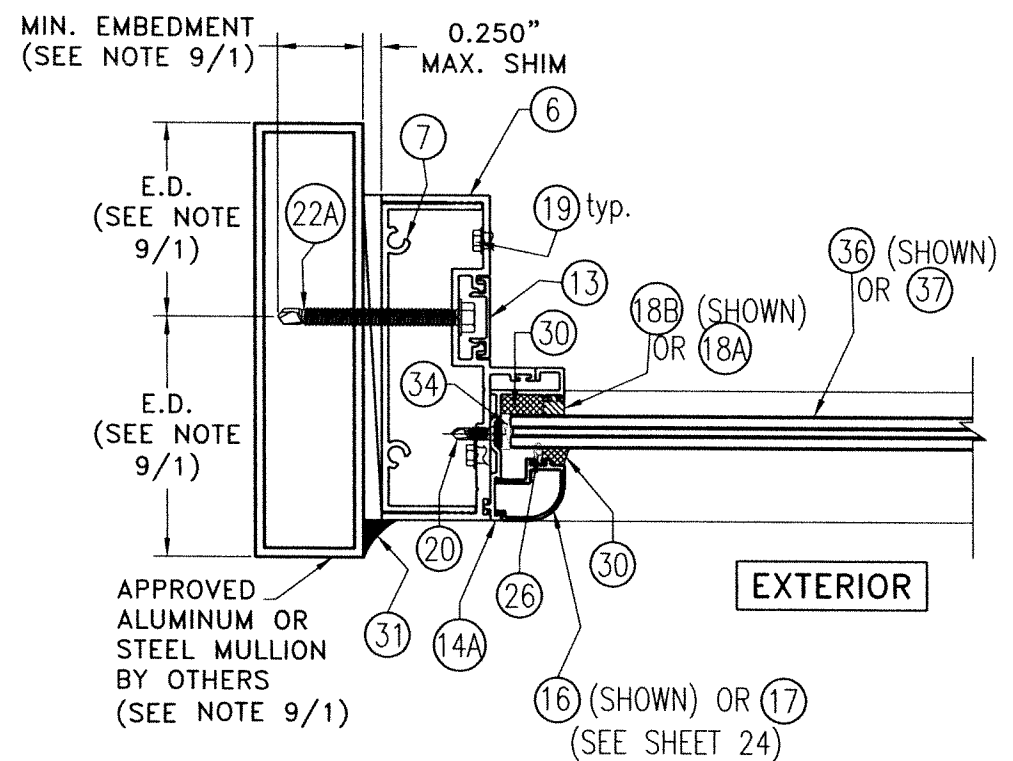
POURED CONCRETE OR CONCRETE BLOCK SUBSTRATE *

* JAMB MOUNTING INSTALLATIONS INTO SUBSTRATES, BY MEANS OF 1x, 2x, NO WOOD BUCK OR METAL MULLION MAY BE COMBINED IN ANY WAY TO SUIT ANY INSTALLATION AT JAMBS.

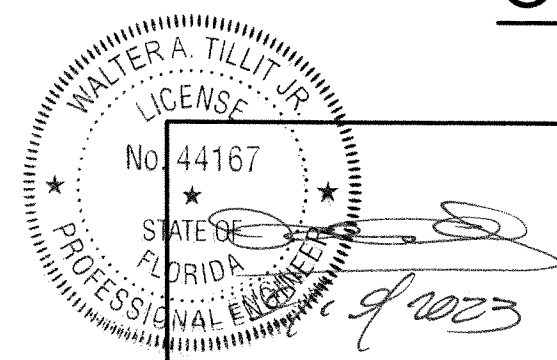
SECTION P-P @ TRANSOM

SCALE: N.T.S

OPTIONAL SYSTEM # 2

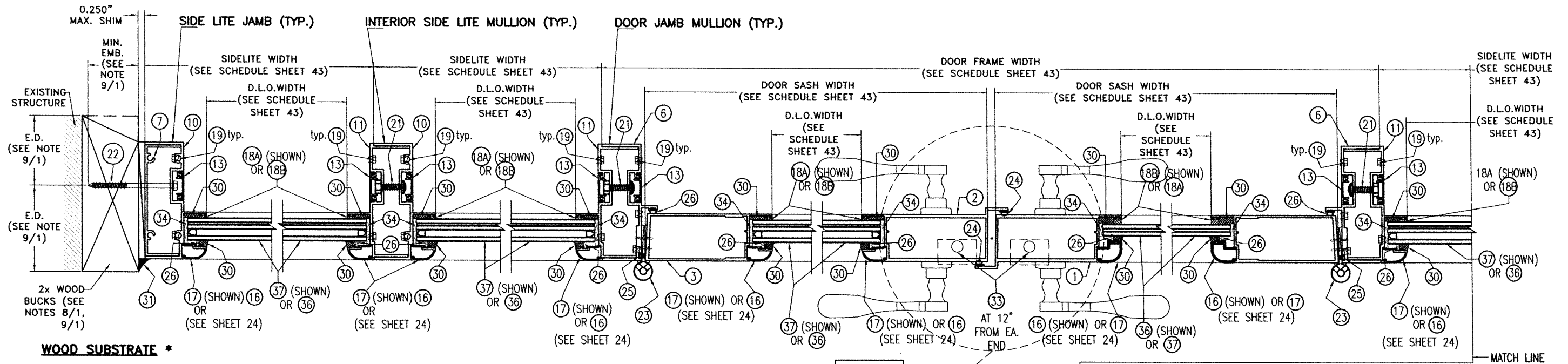


ALUMINUM MULLION OR STEEL MEMBER SUBSTRATE *

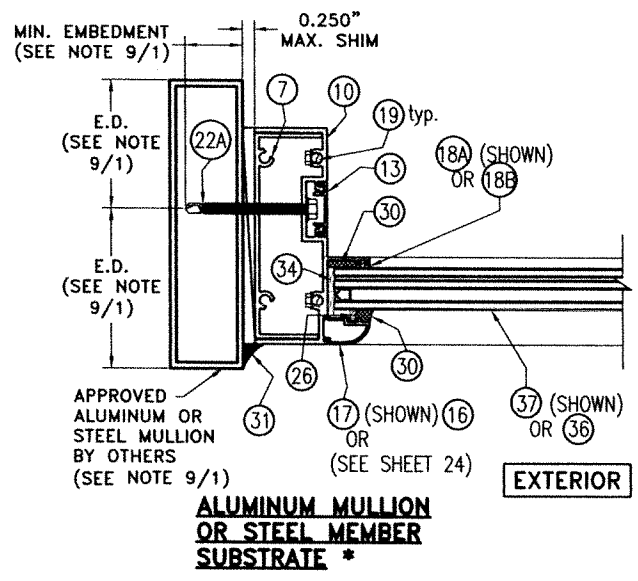


P.E. SEAL/SIGNATURE/DATE

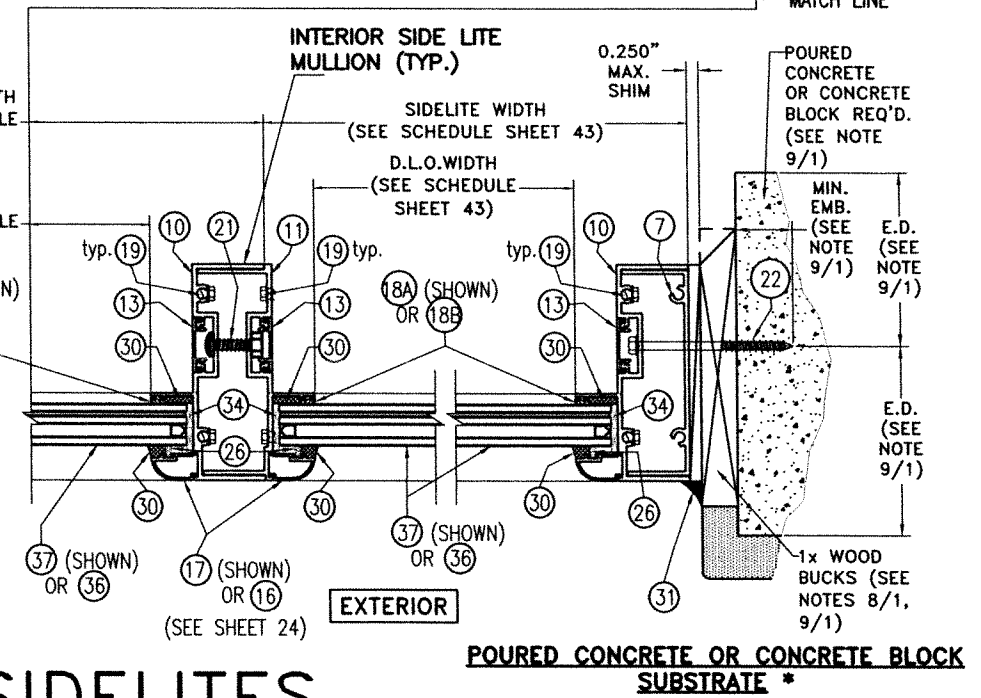
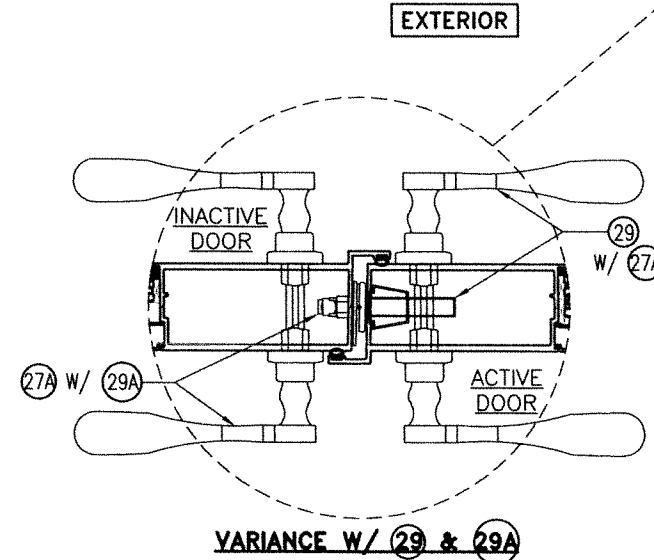
FLORIDA BUILDING CODE (HIGH & NON HIGH VELOCITY HURRICANE ZONE)		©2023 TILTECO, INC		SERIES 24000 LMSZ IMPACT RESISTANT OUTSWING FRENCH DOOR W/ TRANSOM OR W/ SIDELITES		DRAWN BY W.H.	
		TILIT TESTING & ENGINEERING COMPANY 6355 N.W. 38th St., Ste. 305, VIRGINIA GARDENS, FL 33186 Phone : (305)871-1530 . Fax : (305)871-1531 CA-0006719				290 WEST 78 ROAD HIALEAH, FL 33014 PH: (954)226-5555/(305)558-8103 FAX: (305)558-6665 www.gigwindows.com	
WALTER A. TILLIT Jr. P.E. FLORIDA Lic. # 44167		1 OLD 23-156 09/06/23		2 23-209 09/06/23		09/06/2023 DATE 23-209 DRAWING No SHEET 38 OF 45	



WOOD SUBSTRATE *



* JAMB MOUNTING INSTALLATIONS INTO SUBSTRATES, BY MEANS OF 1x, 2x, NO WOOD BUCK OR METAL MULLION MAY BE COMBINED IN ANY WAY TO SUIT ANY INSTALLATION AT JAMBS.



SECTION R-R @ DOUBLE DOOR W/ SIDELITES

SCALE: N.T.S

OPTIONAL SYSTEM # 2

WALTER A. TILLIT, JR.
 LICENSE NO. 44167
 STATE OF FLORIDA
 PROFESSIONAL ENGINEER
 P.E. SEAL/SIGNATURE/DATE

FLORIDA BUILDING CODE (HIGH & NON HIGH VELOCITY HURRICANE ZONE)

©2023 TILTECO, INC.

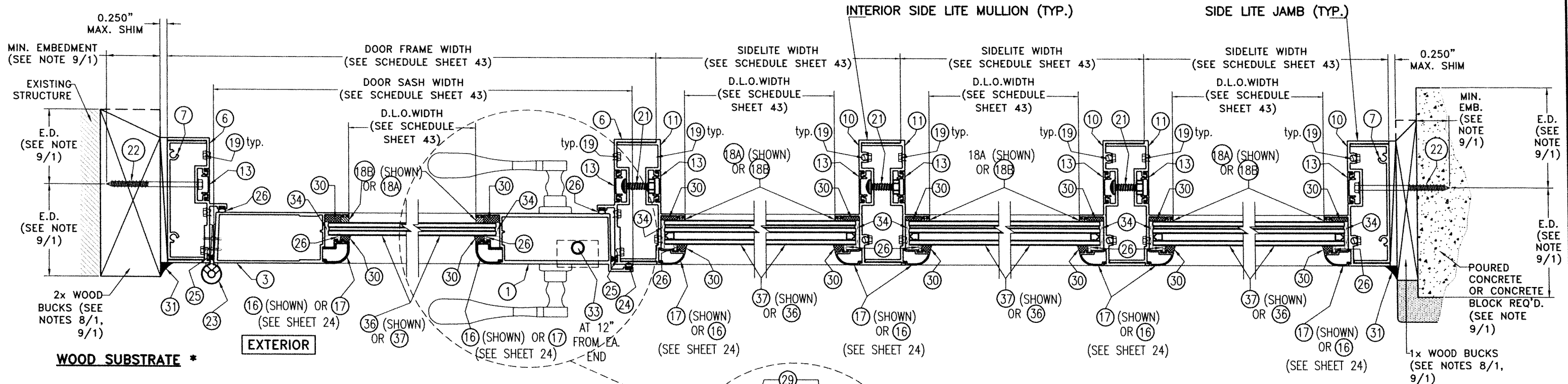
TILTECO INC.
 TILLIT TESTING & ENGINEERING COMPANY
 6355 N.W. 30th. St., Ste. 305, VIRGINIA GARDENS, FL 33186
 Phone : (305)871-1530 . Fax : (305)871-1531
 CA-0006719
 WALTER A. TILLIT Jr. P.E.
 FLORIDA Lic. # 44167

SERIES 24000 LMSZ IMPACT RESISTANT OUTSWING FRENCH DOOR W/ TRANSOM OR W/ SIDELITES

290 WEST 78 ROAD
 HIALEAH, FL 33014
 PH: (954)226-5555/(305)558-8103
 FAX: (305)558-8665
 www.gigwindows.com

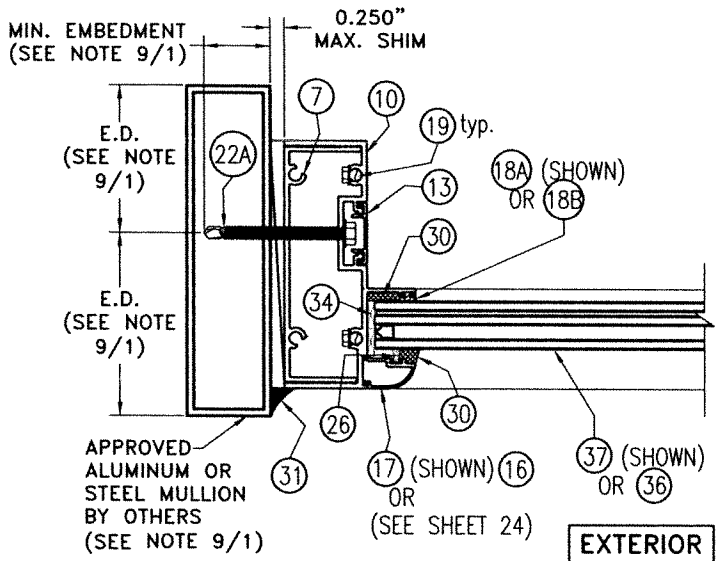
DRAWN BY W.H.
 DATE 09/06/2023
 DRAWING No 23-209
 SHEET 40 OF 45

REV. No	DESCRIPTION	DATE	REV. No	DESCRIPTION	DATE
1	OLD 23-156	09/06/23	2		

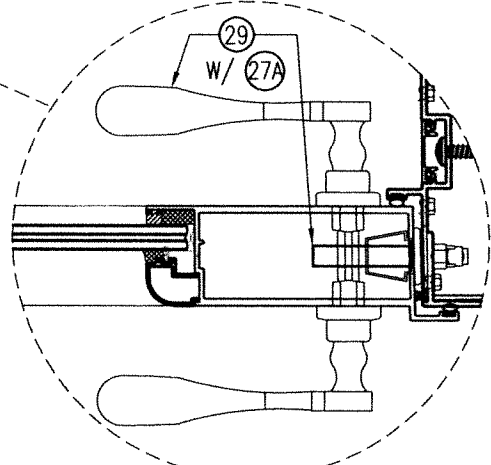


WOOD SUBSTRATE *

POURED CONCRETE OR CONCRETE BLOCK SUBSTRATE *



ALUMINUM MULLION OR STEEL MEMBER SUBSTRATE *



VARIANCE W/ 29

* JAMB MOUNTING INSTALLATIONS INTO SUBSTRATES, BY MEANS OF 1x, 2x, NO WOOD BUCK OR METAL MULLION MAY BE COMBINED IN ANY WAY TO SUIT ANY INSTALLATION AT JAMBS.

SECTION S-S @ SINGLE DOOR W/ SIDELITES

SCALE: N.T.S. OPTIONAL SYSTEM # 2

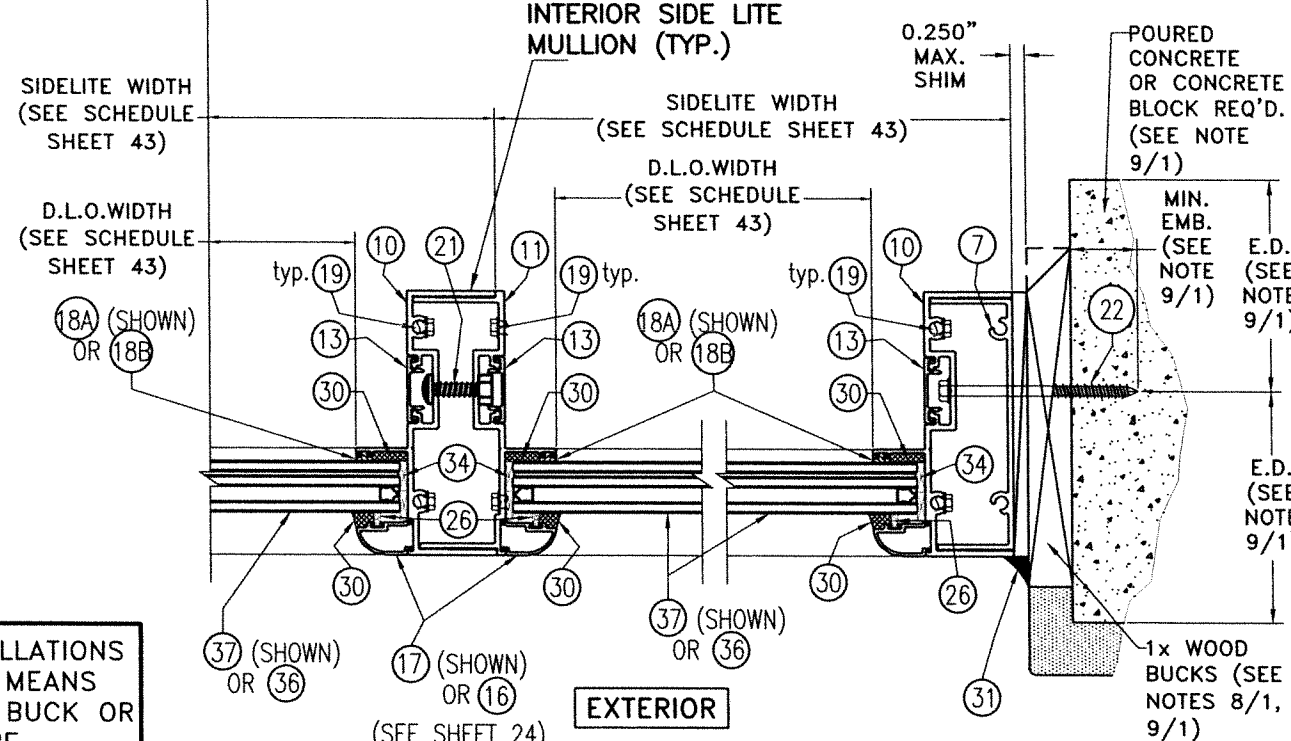
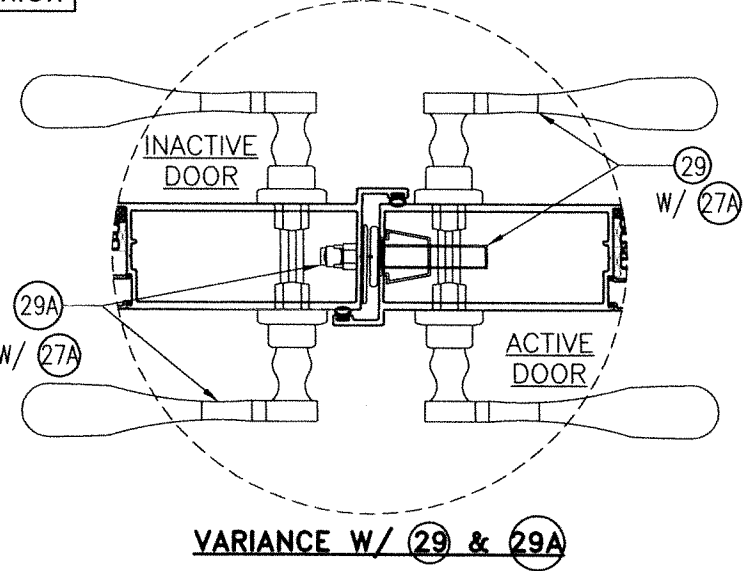
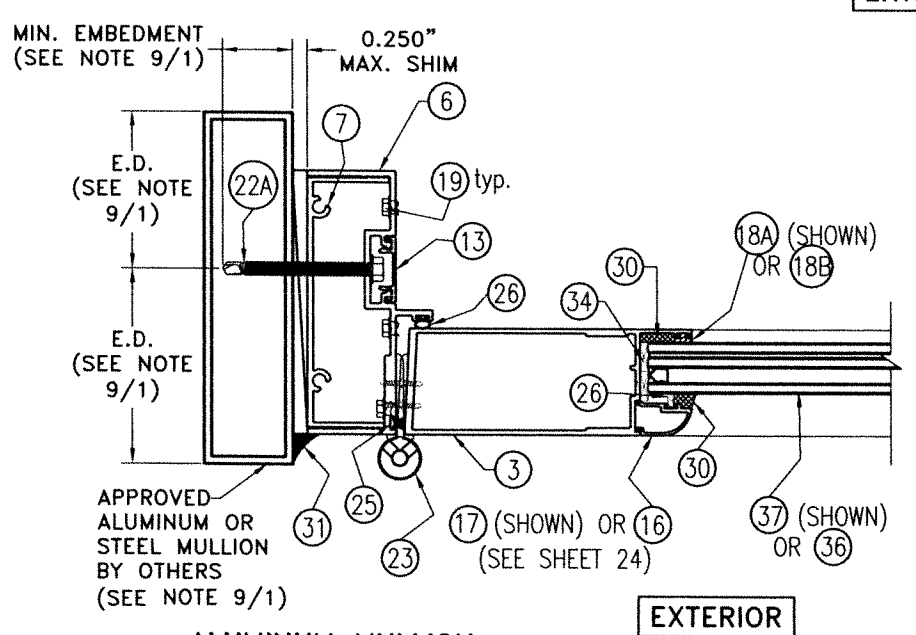
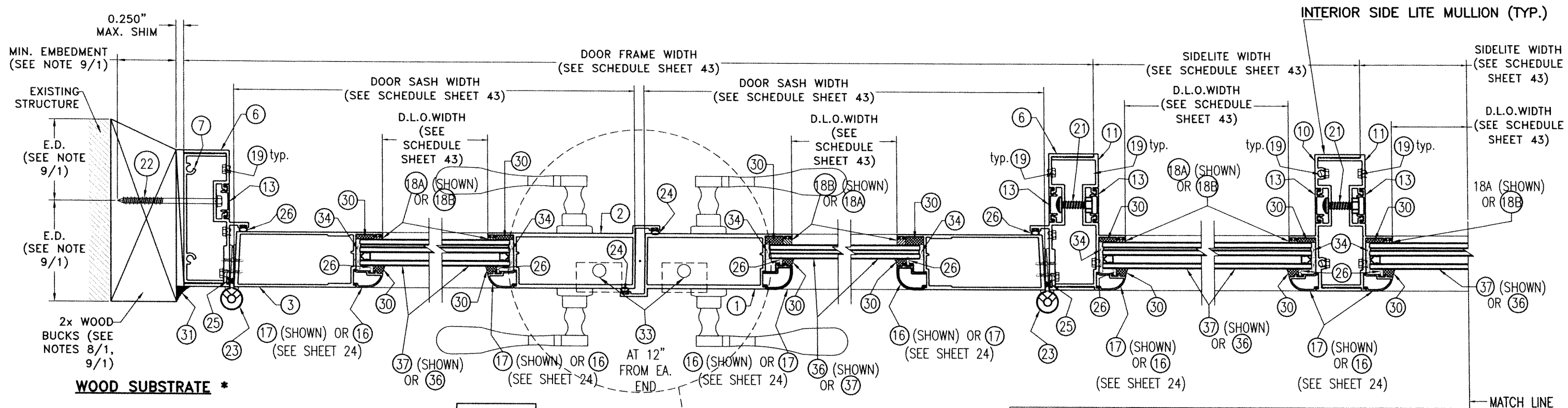
WALTER A. TILLIT JR.
 LICENSE
 No. 44167
 STATE OF FLORIDA
 PROFESSIONAL ENGINEER
 P.E. SEAL/SIGNATURE/DATE

©2023 TILTECO, INC.
TILTECO INC.
 TILLIT TESTING & ENGINEERING COMPANY
 8355 N.W. 36th. St., Ste. 305, VIRGINIA GARDENS, FL 33186
 Phone : (305)871-1530 . Fax : (305)871-1531
 CA-0006719
 WALTER A. TILLIT Jr. P.E.
 FLORIDA Lic. # 44167

FLORIDA BUILDING CODE (HIGH & NON HIGH VELOCITY HURRICANE ZONE)
SERIES 24000 LMSZ IMPACT RESISTANT OUTSWING FRENCH DOOR W/ TRANSOM OR W/ SIDELITES
 DRAWN BY W.H.

290 WEST 78 ROAD
 HIALEAH, FL 33014
 PH: (954)226-5555/(305)558-8103
 FAX: (305)558-6665
 www.gigwindows.com
GTG WINDOWS & DOORS
 09/06/2023 DATE
 23-209 DRAWING No
 SHEET 41 OF 45

REV. No	DESCRIPTION	DATE	REV. No	DESCRIPTION	DATE
1	OLD 23-156	09/06/23	2		



* JAMB MOUNTING INSTALLATIONS INTO SUBSTRATES, BY MEANS OF 1x, 2x, NO WOOD BUCK OR METAL MULLION MAY BE COMBINED IN ANY WAY TO SUIT ANY INSTALLATION AT JAMBS.

SECTION T-T @ DOUBLE DOOR W/ SIDELITES
SCALE: N.T.S.
OPTIONAL SYSTEM # 2

WALTER A. TILLIT JR.
 LICENSE
 No. 44167
 STATE OF FLORIDA
 PROFESSIONAL ENGINEER
 P.E. SEAL/SIGNATURE/DATE

FLORIDA BUILDING CODE (HIGH & NON HIGH VELOCITY HURRICANE ZONE)

©2023 TILTECO, INC.

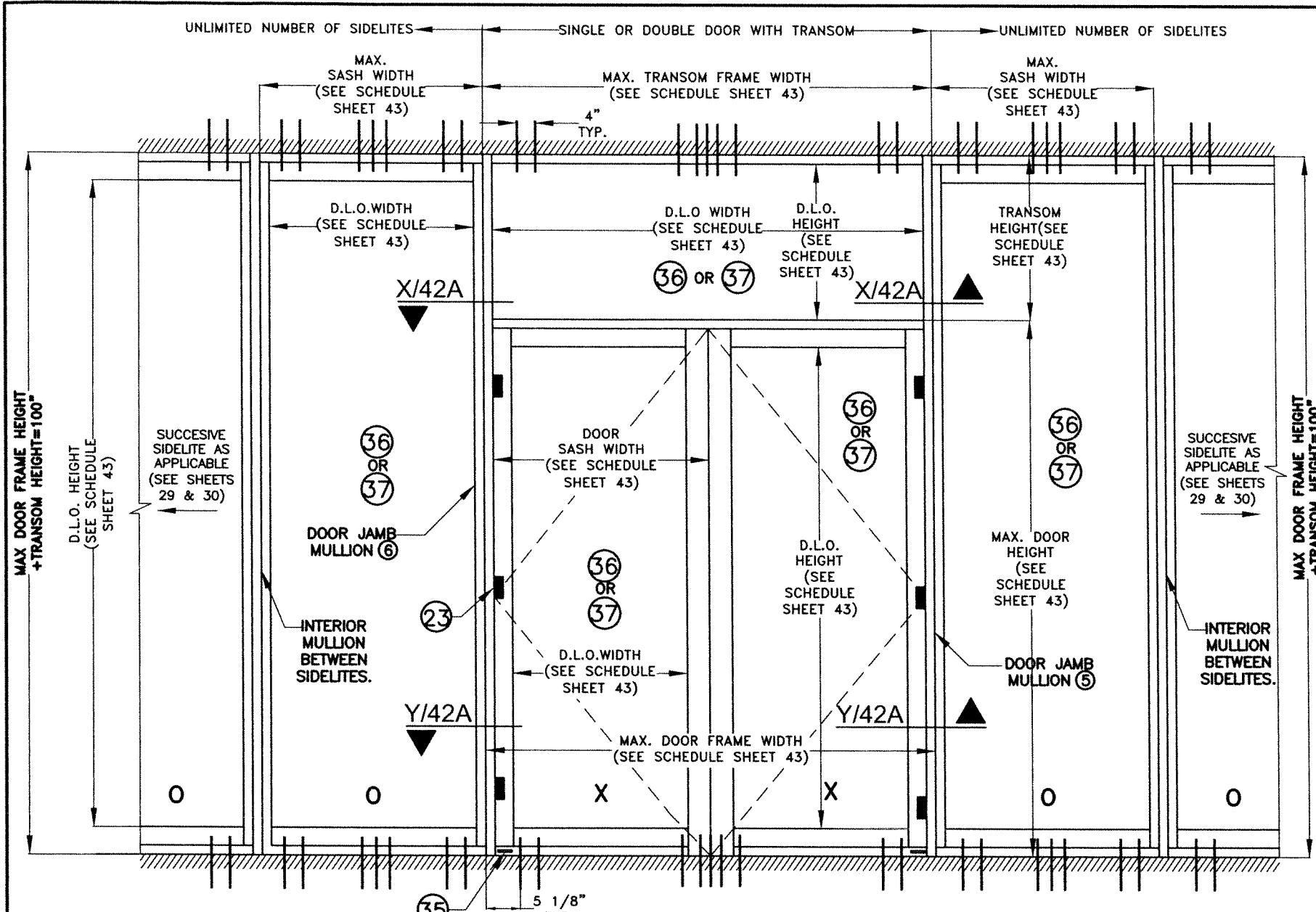
TILTECO INC.
 TILLIT TESTING & ENGINEERING COMPANY
 6355 N.W. 36th. St., Ste. 305, VIRGINIA GARDENS, FL 33166
 Phone : (305)871-1530 · Fax : (305)871-1531
 CA-0006719
 WALTER A. TILLIT Jr. P.E.
 FLORIDA Lic. # 44167

SERIES 24000 LMSZ IMPACT RESISTANT OUTSWING FRENCH DOOR W/ TRANSOM OR W/ SIDELITES

290 WEST 78 ROAD
 HIALEAH, FL 33014
 PH: (954)226-5555/(305)558-8103
 FAX: (305)558-6665
 www.gigwindows.com

DRAWN BY W.H.
 09/06/2023 DATE
 23-209 DRAWING No
 SHEET 42 OF 45

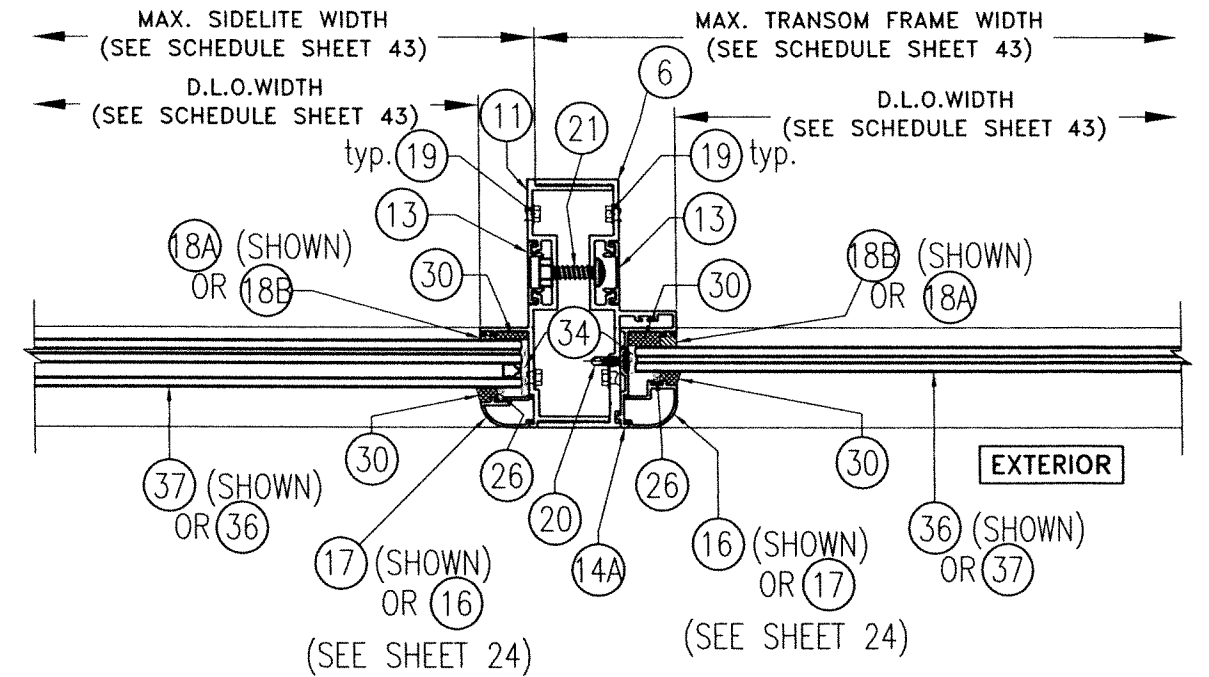
REV. No	DESCRIPTION	DATE	REV. No	DESCRIPTION	DATE
1	OLD 23-156	09/06/23	2		



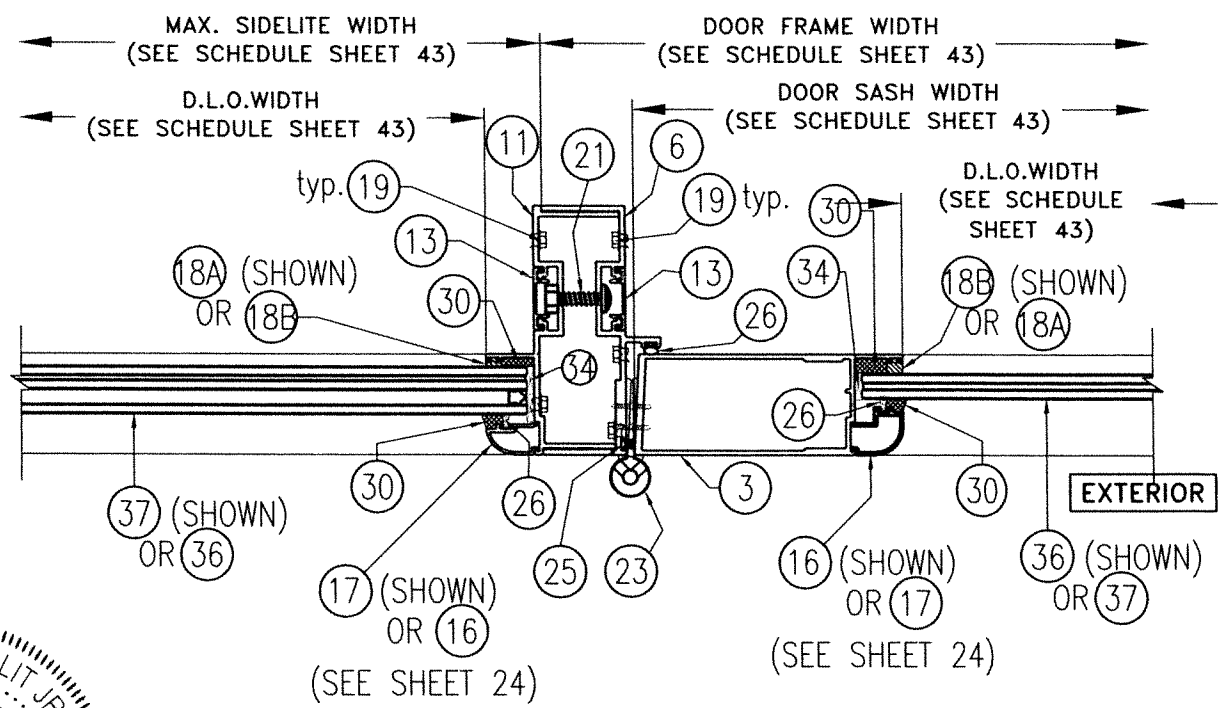
TYPICAL SPECIAL CONDITION FOR INSTALTION OF SINGLE/DOUBLE DOOR W/ SIDELITES & LIMITED TRANSOM HEIGHT:
SCALE: N.T.S

- NOTE: ***
- (I) SINGLE OR DOUBLE FRENCH DOORS WITH TRANSOM MAY BE COMBINED IN ANY SUCCESSIVE ARRANGEMENT JOINTLY WITH FIXED GLASS SIDELITES AND A TRANSOM TO CONFORM TO ANY INSTALLATION. FOR THIS COMBINATION TO BE FEASIBLE THE FOLLOWING PROCEDURE & REQUIREMENTS SHALL BE APPLIED:
 - (I.1) INTERIOR MULLIONS BETWEEN SIDELITES SHALL ALWAYS CONSIST OF MULLION DESCRIBED ON SECTIONS Q,R,S,I SHEETS 39 THRU 42 ADDITIONALLY ON SECTIONS X,Y SHEET 42A
 - (I.2) DOOR JAMB MULLIONS SHALL CONSIST OF MULLIONS DESCRIBED ON SECTIONS Q,R,S,I SHEETS 39 THRU 42 ADDITIONALLY ON SECTIONS X,Y SHEET 42A
 - (I.3) JAMBS SHALL ALWAYS BE ATTACHED TO EXISTING SUBSTRATES W/ ANCHORS AS PER GENERAL NOTE 9, SHEET 1 & AT SPACINGS PER SCHEDULE ON SHEET 43.
 - (I.4) TOP & BOTTOM ANCHORS FOR INTERIOR MULLIONS BETWEEN SIDELITES SHALL BE AS INDICATED ON ELEVATIONS SHEETS 29 THRU 32 ADDITIONALLY DOOR JAMB MULLION ELEVATION ON SHEET 42A AND SCHEDULES ON SHEET 43.
 - (II) SUCCESSIVE SIDE LITES MAY BE INSTALLED AT RESIDENTIAL BUILDINGS AS LONG AS THE FOLLOWING PROCEDURE AND REQUIREMENTS APPLY.
 - (II.1) JAMBS ARE ATTACHED TO EXISTING SUBSTRATE AT BUILDINGS W/ANCHORAGE AS PER SCHEDULES ON SHEET 43.
 - (II.2) INTERIOR MULLIONS BETWEEN SIDELITES SHALL CONSIST OF MULLIONS DESCRIBED ON SECTIONS Q,R,S,I SHEETS 39 THRU 42 ADDITIONALLY ON SECTIONS X,Y SHEET 42A
 - (II.3) INTERIOR MULLIONS BETWEEN SIDELITES ARE ANCHORED TOP & BOTTOM W/ANCHORAGE PER SCHEDULES SHEET 43.

OPTIONAL SYSTEM # 2



SECTION X-X @ DOOR JAMB MULLION AT TRANSOM
SCALE: N.T.S



SECTION Y-Y @ DOOR JAMB MULLION AT DOOR
SCALE: N.T.S

WALTER A. TILLIT JR.
LICENSE
No. 44167
STATE OF FLORIDA
PROFESSIONAL ENGINEER
W.A. Tillit Jr.
P.E. SEAL/SIGNATURE/DATE

FLORIDA BUILDING CODE (HIGH & NON HIGH VELOCITY HURRICANE ZONE)

©2023 TILTECO, INC

TILTECO INC.
TILLIT TESTING & ENGINEERING COMPANY
6355 N.W. 36th. St., Ste. 305, VIRGINIA GARDENS, FL 33166
Phone : (305)871-1530 . Fax : (305)871-1531
CA-0006719
WALTER A. TILLIT Jr. P.E.
FLORIDA Lic. # 44167

SERIES 24000 LMSZ IMPACT RESISTANT OUTSWING FRENCH DOOR W/ TRANSOM OR W/ SIDELITES

290 WEST 78 ROAD
HALEAH, FL 33014
PH: (954)226-5555/(305)558-8103
FAX: (305)558-6665
www.gigwindows.com

DRAWN BY
W.H.

09/06/2023
DATE

23-209
DRAWING No

REV. No	DESCRIPTION	DATE	REV. No	DESCRIPTION	DATE
1	OLD 23-156	09/06/23	2		

SHEET 42A OF 45

**SINGLE & DOUBLE DOOR SCHEDULE ONLY VALID
FOR DOORS W/O TRANSOM AND W/O SIDELITE**

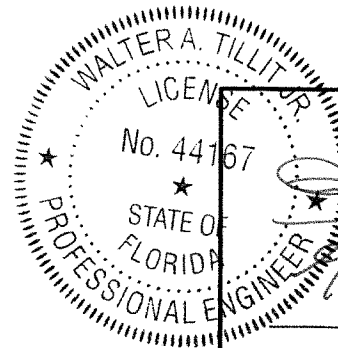
MAX. ASD DESIGN PRESSURE RATING	MAX. DOOR FRAME WIDTH		MAX. DOOR FRAME HEIGHT	MAX. DOOR SASH WIDTH *	MAX. DOOR SASH HEIGHT	MAX. D.L.O. WIDTH	MAX. D.L.O. HEIGHT
	AT SINGLE DOOR	AT DOUBLE DOOR					
+45, -45 psf	3'-5 1/2"	6'-8"	10'-0"	3'-2 1/2"	9'-9 1/2"	2'-4"	8'-8"
+49, -49 psf	3'-5 1/2"	6'-8"	9'-8"	3'-2 1/2"	9'-5 1/2"	2'-4"	8'-4"
+54, -54 psf	3'-5 1/2"	6'-8"	9'-4"	3'-2 1/2"	9'-1 1/2"	2'-4"	8'-0"
+57, -57 psf	3'-5 1/2"	6'-8"	9'-0"	3'-2 1/2"	8'-9 1/2"	2'-4"	7'-8"
+60, -60 psf	3'-5 1/2"	6'-8"	8'-8"	3'-2 1/2"	8'-5 1/2"	2'-4"	7'-4"
+70, -70 psf	3'-5 1/2"	6'-8"	8'-4"	3'-2 1/2"	7'-7 5/8"	2'-4"	7'-0"

* DOOR SASH WIDTHS MAY BE DIFFERENT FROM EACH OTHER WHEN DOUBLE DOORS ARE USED.

**SINGLE & DOUBLE DOOR SCHEDULE VALID
FOR DOORS W/ TRANSOM OR W/ SIDELITE**

MAX. ASD DESIGN PRESSURE RATING +70, -70 psf	MAX. FRAME WIDTH	MAX. FRAME HEIGHT	MAX. SASH WIDTH	MAX. SASH HEIGHT	MAX. D.L.O. WIDTH	MAX. D.L.O. HEIGHT
AT SINGLE DOOR	3'-5 1/2"	8'-4"	3'-2 1/2"	7'-7 5/8"	2'-4"	7'-0"
AT DOUBLE DOOR	6'-8"	8'-4"	3'-2 1/2"	7'-7 5/8"	2'-4"	7'-0"
AT SIDELITE	4'-0"	8'-4"	-	-	3'-4"	7'-0"
AT TRANSOM	6'-8"	4'-0"	-	-	6'-3"	3'-7"

OPTIONAL SYSTEM # 2



[Signature]
P.E. SEAL/SIGNATURE/DATE

©2023 TILTECO, INC


TILTECO INC.

TILLIT TESTING & ENGINEERING COMPANY
8355 N.W. 36th St., Ste. 305, VIRGINIA GARDENS, FL 33188
Phone : (305)871-1530 . Fax : (305)871-1531
CA-0006719

WALTER A. TILLIT Jr. P.E.
FLORIDA Lic. # 44167

FLORIDA BUILDING CODE (HIGH & NON HIGH VELOCITY HURRICANE ZONE)

**SERIES 24000 LMSZ IMPACT RESISTANT
OUTSWING FRENCH DOOR W/ TRANSOM
OR W/ SIDELITES**


WINDOWS & DOORS

290 WEST 78 ROAD
HALEAH, FL 33014
PH: (954)226-5555/(305)558-8103
FAX: (305)558-6665
www.gigwindows.com

REV. No	DESCRIPTION	DATE	REV. No	DESCRIPTION	DATE
1	OLD 23-156	09/06/23	2		

DRAWN BY
W.H.

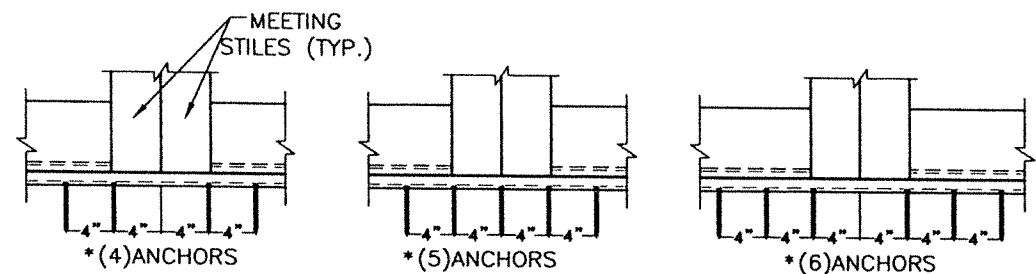
09/06/2023
DATE

23-209
DRAWING No

SHEET 43 OF 45

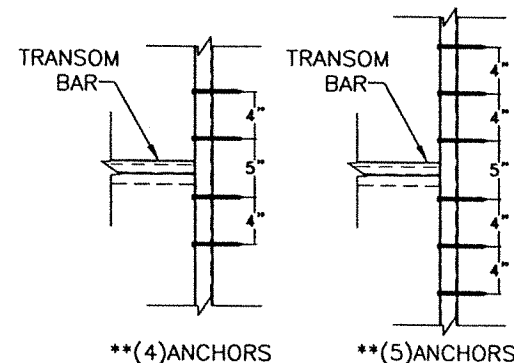
REQ'D NUMBER OF ANCHORS AT HEAD/SILL CLUSTER OF ANCHORS AT DOUBLE DOOR, AT MEETING STILES *

ASD DESIGN PRESSURE RATING	MAX. DOOR FRAME WIDTH	MAX. DOOR FRAME HEIGHT	SUBSTRATE
			CONCRETE, BLOCK, WOOD, ALUM., STEEL
+45, -45 psf	6'-8"	8'-4"	4 ANCHORS
+45, -45 psf	6'-8"	10'-0"	5 ANCHORS
+49, -49 psf	6'-8"	9'-8"	5 ANCHORS
+54, -54 psf	6'-8"	9'-4"	6 ANCHORS
+57, -57 psf	6'-8"	9'-0"	6 ANCHORS
+60, -60 psf	6'-8"	8'-8"	6 ANCHORS
+70, -70 psf	6'-8"	8'-4"	6 ANCHORS



REQ'D NUMBER OF ANCHORS AT CLUSTER OF ANCHORS AT ENDS OF TRANSOM BAR WITH DOUBLE DOOR **

ASD DESIGN PRESSURE RATING	MAX. TRANSOM WIDTH	MAX. DOOR FRAME HEIGHT	TRANSOM HEIGHT	SUBSTRATE
				CONCRETE, BLOCK, WOOD, ALUM., STEEL
+45, -45 psf	6'-8"	8'-4"	2'-0"	4 ANCHORS
			3'-0"	4 ANCHORS
			4'-0"	4 ANCHORS
+55, -55 psf	6'-8"	8'-4"	2'-0"	4 ANCHORS
			3'-0"	4 ANCHORS
			4'-0"	6 ANCHORS
+70, -70 psf	6'-8"	8'-4"	2'-0"	4 ANCHORS
			3'-0"	4 ANCHORS
			4'-0"	6 ANCHORS

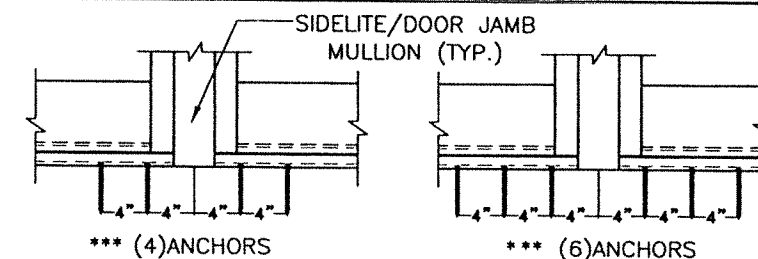


MAXIMUM ANCHOR SPACING "S" SCHEDULE AT JAMBS OF DOOR, SIDELITE & TRANSOM

SUBSTRATE	ANCHOR TYPE	A.S.D. DESIGN PRESSURE RATING (psf)	"S"
CONCRETE	1/4"Ø ITW/BUILDEX TAPCON ANCHOR (22)	+70.0, -70.0	11" O.C.
BLOCK	1/4"Ø ITW/BUILDEX TAPCON ANCHOR (22)	+70.0, -70.0	11" O.C.
WOOD	1/4"Ø ITW/BUILDEX TAPCON ANCHOR (22)	+70.0, -70.0	11" O.C.
ALUMINUM TUBE OR STEEL MEMBER	1/4"Ø-14 ITW/BUILDEX TEK SCREW (22A)	+70.0, -70.0	11" O.C.

REQ'D NUMBER OF ANCHORS AT HEAD & SILL CLUSTER OF ANCHORS AT SIDELITE & DOOR JAMB MULLIONS ***

ASD DESIGN PRESSURE RATING	SUBSTRATE
	CONCRETE, BLOCK, WOOD, ALUM., STEEL
UP TO +67.5, -67.5 psf	4 ANCHORS
> +67.5, -67.5 psf UP TO +70, -70 psf	6 ANCHORS



OPTIONAL SYSTEM # 2

WALTER A. TILLIT JR.
LICENSE
No. 44167
STATE OF FLORIDA
PROFESSIONAL ENGINEER
P.E. SEAL/SIGNATURE/DATE

FLORIDA BUILDING CODE (HIGH & NON HIGH VELOCITY HURRICANE ZONE)

©2023 TILTECO, INC.

TILTECO INC.
TILLIT TESTING & ENGINEERING COMPANY
6355 N.W. 36th St., Ste. 300, VIRGINIA GARDENS, FL 33196
Phone: (305)871-1530 Fax: (305)871-1531 CA-0006719

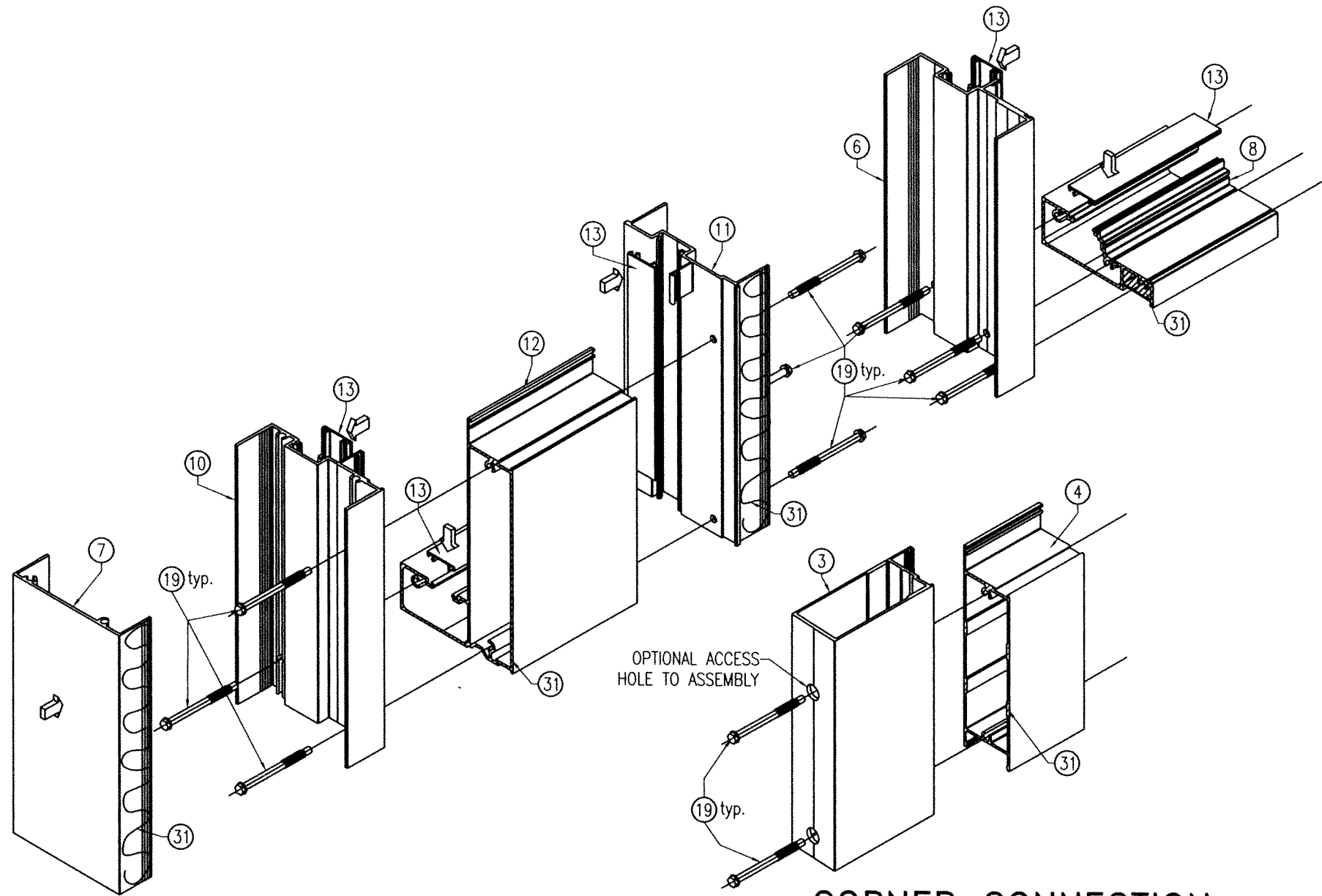
WALTER A. TILLIT Jr. P.E.
FLORIDA Lic. # 44167

SERIES 24000 LMSZ IMPACT RESISTANT OUTSWING FRENCH DOOR W/ TRANSOM OR W/ SIDELITES

290 WEST 78 ROAD
HALEAH, FL 33014
PH: (954)226-5555/(305)558-8103
FAX: (305)558-6665
www.gjwindows.com

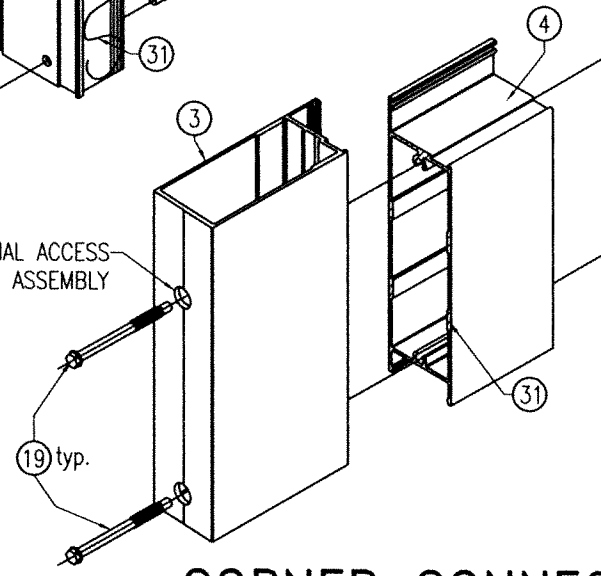
DRAWN BY W.H.
DATE 09/06/2023
DRAWING No 23-209
SHEET 44 OF 45

REV. No	DESCRIPTION	DATE	REV. No	DESCRIPTION	DATE
1	OLD 23-156	09/06/23	2		

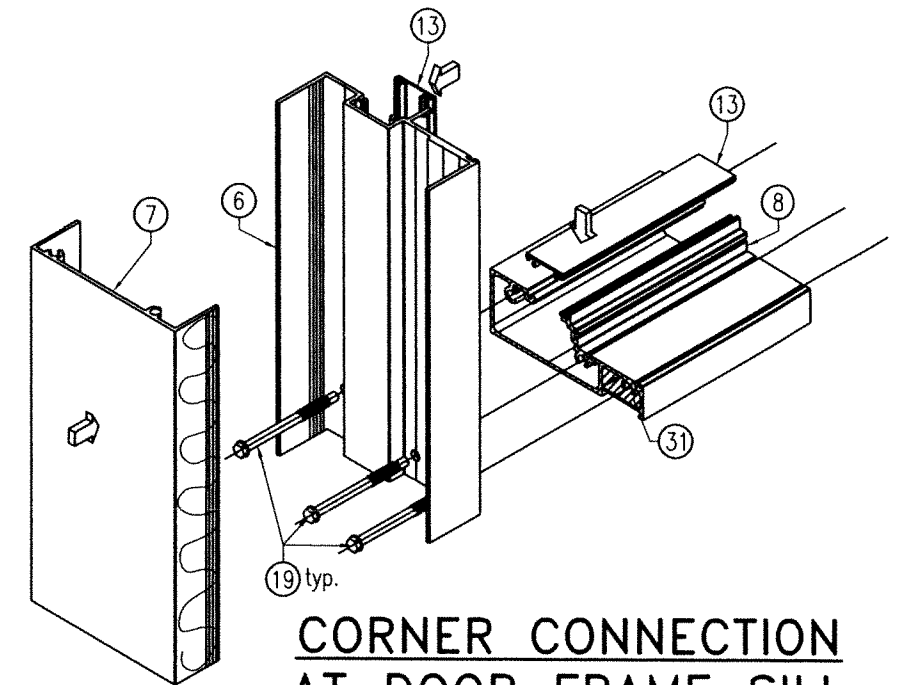


CORNER CONNECTION
AT SIDELITE & DOOR

OPTIONAL ACCESS
HOLE TO ASSEMBLY



CORNER CONNECTION
AT DOOR PANEL

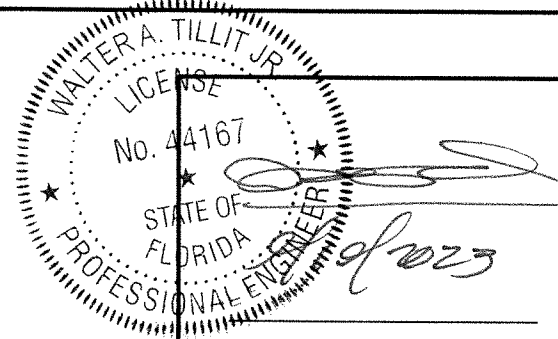


CORNER CONNECTION
AT DOOR FRAME SILL

CORNER DETAILS ISOMETRIC

SCALE: N.T.S

OPTIONAL SYSTEM # 2



P.E. SEAL/SIGNATURE/DATE

FLORIDA BUILDING CODE (HIGH & NON HIGH VELOCITY HURRICANE ZONE)

©2023 TILTECO, INC

TILTECO INC.
TILLIT TESTING & ENGINEERING COMPANY
6355 N.W. 38th. St., Ste. 305, VIRGINIA GARDENS, FL 33186
Phone : (305)871-1530 . Fax : (305)871-1531
CA-0006719
WALTER A. TILLIT Jr. P.E.
FLORIDA Lic. # 44167

**SERIES 24000 LMSZ IMPACT RESISTANT
OUTSWING FRENCH DOOR W/ TRANSOM
OR W/ SIDELITES**



290 WEST 78 ROAD
HIALEAH, FL 33014
PH: (954)226-5555/(305)558-8103
FAX: (305)558-6665
www.gigwindows.com

DRAWN BY
W.H.

09/06/2023
DATE

23-209
DRAWING No

REV. No	DESCRIPTION	DATE	REV. No	DESCRIPTION	DATE
1	OLD 23-156	09/06/23	2		

SHEET 45 OF 45