



**Product Approval**  
USER: Public User

[Product Approval Menu](#) > [Product or Application Search](#) > [Application List](#) > **Application Detail**

OFFICE OF THE SECRETARY

FL #	FL42472										
Application Type	New										
Code Version	2023										
Application Status	Approved										
Comments											
Archived	<input type="checkbox"/>										
Product Manufacturer	GIG Windows & Doors										
Address/Phone/Email	290 W 78 Road Hialeah, FL 33014 (305) 558-8103 tony@generalimpact.com										
Authorized Signature	Jose Zuniga tony@generalimpact.com										
Technical Representative											
Address/Phone/Email											
Quality Assurance Representative											
Address/Phone/Email											
Category	Windows										
Subcategory	Awning										
Compliance Method	Evaluation Report from a Florida Registered Architect or a Licensed Florida Professional Engineer <input type="checkbox"/> Evaluation Report - Hardcopy Received										
Florida Engineer or Architect Name who developed the Evaluation Report	Walter A. Tillit Jr., P.E.										
Florida License	PE-44167										
Quality Assurance Entity	National Accreditation and Management Institute										
Quality Assurance Contract Expiration Date	12/31/2026										
Validated By	John W. Knezevich, PE <input checked="" type="checkbox"/> Validation Checklist - Hardcopy Received										
Certificate of Independence	<a href="#">FL42472_R0_COI_COI Drwg 23-211 GIG Windows Doors.pdf</a>										
Referenced Standard and Year (of Standard)	<table border="0"> <thead> <tr> <th><b>Standard</b></th> <th><b>Year</b></th> </tr> </thead> <tbody> <tr> <td>ASTM E1300</td> <td>2009</td> </tr> <tr> <td>TAS 201</td> <td>1994</td> </tr> <tr> <td>TAS 202</td> <td>1994</td> </tr> <tr> <td>TAS 203</td> <td>1994</td> </tr> </tbody> </table>	<b>Standard</b>	<b>Year</b>	ASTM E1300	2009	TAS 201	1994	TAS 202	1994	TAS 203	1994
<b>Standard</b>	<b>Year</b>										
ASTM E1300	2009										
TAS 201	1994										
TAS 202	1994										
TAS 203	1994										
Equivalence of Product Standards Certified By											
Sections from the Code											

Product Approval Method

Method 1 Option D

Date Submitted

10/05/2023

Date Validated

10/07/2023

Date Pending FBC Approval

10/10/2023

Date Approved

12/13/2023

**Summary of Products**

FL #	Model, Number or Name	Description
42472.1	Seris VPF 8000 Aluminum Awning Window LMI	Window System made of Laminated and Insulated Impact Resistant Glass retained by aluminum profile frame, wet glazed
<b>Limits of Use</b> <b>Approved for use in HVHZ:</b> Yes <b>Approved for use outside HVHZ:</b> Yes <b>Impact Resistant:</b> Yes <b>Design Pressure:</b> +varies/-varies <b>Other:</b> Large & Small Missile Impact Resistant, see General Notes No. 1 thru 4, and sheet 1 of installation Drawing No. 23-211. For A.S.D. Pressure ratings, see schedules on installation Drawing No. 23-211. See Section 7 of the Evaluation Report for additional limitations and conditions of use.		<b>Installation Instructions</b> <a href="#">FL42472_R0_II_PED Drwg 23-211 GIG Windows Doors.pdf</a> Verified By: Walter A. Tillit Jr., P.E. PE 44167 Created by Independent Third Party: Yes <b>Evaluation Reports</b> <a href="#">FL42472_R0_AE_PER Drwg 23-211 GIG Windows Doors.pdf</a> Created by Independent Third Party: Yes

[Back](#)

[Next](#)

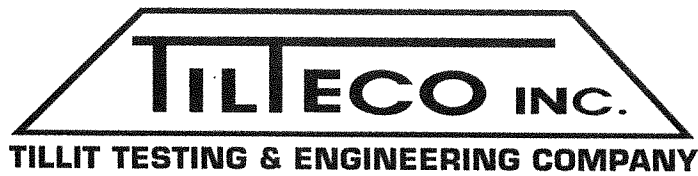
Contact Us :: 2601 Blair Stone Road, Tallahassee FL 32399 Phone: 850-487-1824

The State of Florida is an AA/EEO employer. [Copyright 2007-2013 State of Florida.](#) :: [Privacy Statement](#) :: [Accessibility Statement](#) :: [Refund Statement](#)

Under Florida law, email addresses are public records. If you do not want your e-mail address released in response to a public-records request, do not send electronic mail to this entity. Instead, contact the office by phone or by traditional mail. If you have any questions, please contact 850.487.1395. \*Pursuant to Section 455.275(1), Florida Statutes, effective October 1, 2012, licensees licensed under Chapter 455, F.S. must provide the Department with an email address if they have one. The emails provided may be used for official communication with the licensee. However email addresses are public record. If you do not wish to supply a personal address, please provide the Department with an email address which can be made available to the public. To determine if you are a licensee under Chapter 455, F.S., please click [here](#).

**Product Approval Accepts:**





WALTER A. TILLIT, JR., P.E.

## CERTIFICATE OF INDEPENDENCE

tilteco@aol.com  
FL P.E. License No. 44167  
FL C.A. License No. 0006719

**Evaluation Report #:** 23-0919.04

**Date:** September 19, 2023

**Product Category:** Windows

**Product Subcategory:** Awning

**Product Name:** **SERIES VPF 8000 ALUMINUM AWNING WINDOW – LMI**

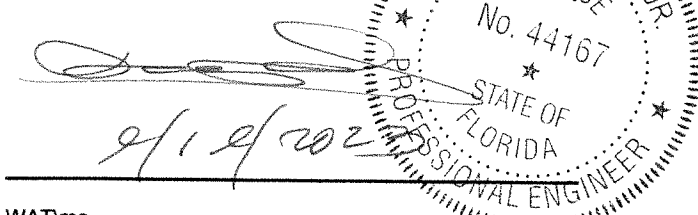
**Manufacturer Name:** **GIG WINDOWS & DOORS**  
290 West 78th Road  
Hialeah, FL 33014

**Dear Sir (Madam):**

This is to certify that this Florida Professional Engineer, performing this evaluation does not have nor will acquire, a financial interest in any company manufacturing or distributing products for which the reports are being issued.

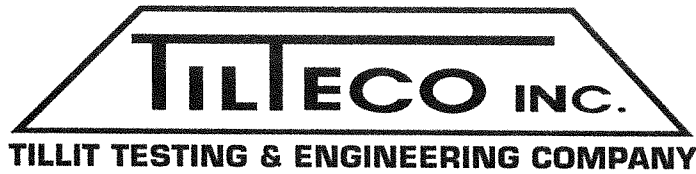
This is also to certify that this Florida Professional Engineer performing this evaluation does not have, nor will acquire, a financial interest in any other entity involved in the approval process of the product.

**Certificate of Independence prepared by Walter A. Tillit, Jr., P.E. (Florida License No. 44167), President of Tilteco, Inc. (Florida CA-0006719).**



WAT:ma

D:\TILTECO ADMON RECORDS \ CERTIFICATION OF INDEPENDENCE \ GIG WINDOWS & DOORS \ SERIES VPF 8000 ALUMINUM AWNING WINDOW – LMI \ EVALUATION REPORT # 23-0919.04



WALTER A. TILLIT, JR., P.E.

tilteco@aol.com  
FL P.E. License No. 44167  
FL C.A. License No. 0006719

## PRODUCT EVALUATION REPORT

**REPORT No.:** 23-0919.04

**DATE:** September 19, 2023

**PRODUCT CATEGORY:** Windows

**PRODUCT SUB-CATEGORY:** Awning

**PRODUCT NAME:** **SERIES VPF 8000 ALUMINUM AWNING  
WINDOW – LMI**

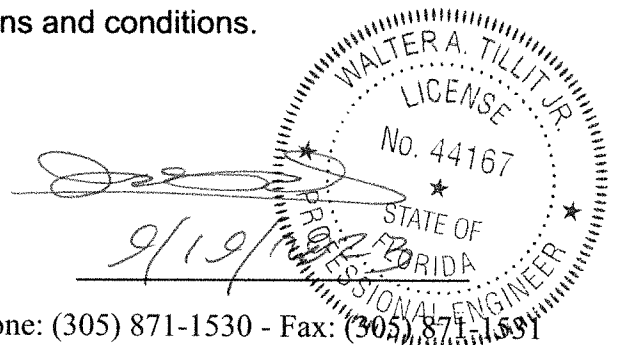
**MANUFACTURER:** **GIG Windows & Doors**  
290 West 78th Road  
Hialeah, FL 33014

### 1. PURPOSE OF EVALUATION:

This is a Product Evaluation Report issued by **Walter A. Tillit, Jr., P.E.** (System ID # 1906) to **GIG WINDOWS & DOORS**, based on Rule Chapter No. 61G20-3, Method 1D of the Florida Department of Business and Professional Regulation.

This product is being issued an Evaluation Report as described herein and has been verified for compliance in accordance with the 2023 8th Edition of the Florida Building Code, and to verify that the product is for the purpose intended at least equivalent to that required by the Code.

This Product Evaluation Report shall be subject to review and revision in case of a Building Code change that may affect its limitations and conditions.



## **2. EVIDENCE SUBMITTED:**

### **2.1. PRODUCT EVALUATION DOCUMENT (P.E.D.):**

Drawing No. 23-211, titled “**SERIES VPF 8000 ALUMINUM AWNING WINDOW – LMI**” sheets 1 thru 34 (includes 3A) prepared by **Tilteco, Inc.**; signed and sealed by **Walter A. Tillit, Jr., P.E.**; dated **09/12/2023**. This drawing is an integral part of this Evaluation Report.

### **2.2. TEST REPORTS:**

Impact and Cyclic Tests as per protocol TAS-201, TAS-203, Uniform Static Load as per Protocol TAS 202 per sections 1626 and 1609.1.2, respectively of the Florida Building Code.

Test reports prepared by Fenestration Testing Lab Inc., Report No.9073, signed and sealed by Idalmis Ortega, P.E.

### **2.3. STRUCTURAL ENGINEERING CALCULATIONS:**

On Series VPF 8000 Aluminum Awning Window – LMI for Maximum Pressure Rating vs. Maximum anchor spacing, maximum width and height, and Maximum Glass Size, based on rational and comparative analysis, in accordance with sections 1604 and 1616 of the Florida Building Code. Calculations prepared by Tilteco, Inc., dated 03/09/2017, signed and sealed by Walter A. Tillit, Jr., P.E. Glass verified per ASTM E-1300 – 9a, per section 2404.1 of The Florida Building Code.

## **3. MISSILE IMPACT RESISTANCE:**

Large Missile Impact resistance is provided per TAS 201 (9 lbs., 50 feet/sec).

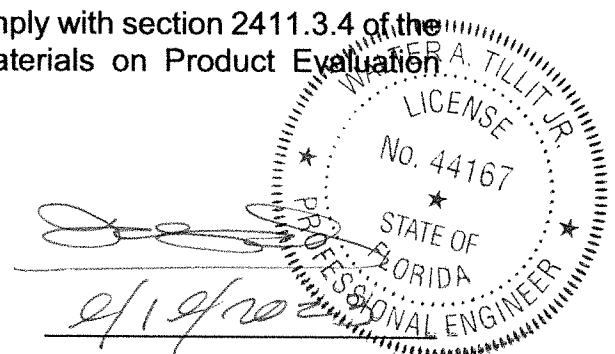
## **4. WIND LOADS RESISTANCE:**

On Series VPF 8000 Aluminum Awning Window – LMI has been verified to keep sustain wind pressures. Maximum Glass Panel Dimensions, window dimensions shall be as indicated on Product Evaluation Document (P.E.D.), Drawing No. 23-211.

## **5. INSTALLATION:**

Installation shall be performed strictly in accordance with General Notes # 3 thru 12, and details indicated on sheet 8 thru 26 of Product Evaluation Document (P.E.D.), drawing No. 23-211.

Gaskets and setting blocks used at installations comply with section 2411.3.4 of the Florida Building Code as specified on Bill of Materials on Product Evaluation Document (P.E.D.), drawing No. 23-211.



**6. MATERIAL CHARACTERISTICS AND SPECIFICATIONS:**

Shall be strictly in accordance with General Notes and Components indicated on Product Evaluation Document (P.E.D.), **Drawing No. 23-211**. Anchor specifications shall be as indicated on Product Evaluation Document (P.E.D.), Drawing No. **23-211**.

**7. LIMITATIONS AND CONDITIONS OF USE:**

7.1. Shall be strictly in compliance with General Notes No. 1 thru 5, indicated on sheet 1 of Product Evaluation Document (P.E.D.), Drawing No. **23-211** prepared by Tilteco, Inc. and signed and sealed by Walter A. Tillit, Jr., P.E.

7.2. Product **may** be installed within HIGH VELOCITY HURRICANE ZONES as defined on section 202 of the Florida Building Code and out of it.

7.3. Product shall only be installed into substrates with limitations as indicated on Product Evaluation Document (P.E.D.), Drawing No. **23-211**.

Product Evaluation Report prepared by Walter A. Tillit, Jr., P.E. (Florida License No. 44167), President of Tilteco, Inc. (Florida CA-0026719).

WAT\ma

D:\TILTECO ADMON RECORDS \ P. E. REPORT.23 \ GIG WINDOWS & DOORS \ SERIES VPF 8000 ALUMINUM AWNING WINDOW - LMI \ DRWG # 23-211 \ REPORT # 23-0919.04

WALTER A. TILLIT JR.  
LICENSE  
No. 44167  
STATE OF FLORIDA  
PROFESSIONAL ENGINEER

9/19/20

**GENERAL NOTES:**

1. SERIES VPF 8000 ALUMINUM AWNING WINDOW—LARGE MISSILE IMPACT RESISTANT, SHOWN ON THIS PRODUCT EVALUATION DOCUMENT (P.E.D.) HAS BEEN VERIFIED FOR COMPLIANCE IN ACCORDANCE WITH THE 2023 (8th EDITION) OF THE FLORIDA BUILDING CODE. SERIES VPF 8000 ALUMINUM AWNING WINDOW MAY BE INSTALLED AT HIGH VELOCITY HURRICANE ZONES OR OUT OF IT.

DESIGN WIND LOADS SHALL BE DETERMINED AS PER SECTIONS 1620 & 1609 OF THE ABOVE MENTIONED CODE, USING ASCE 7-22 AND SHALL NOT EXCEED THE MAXIMUM (A.S.D.) DESIGN PRESSURE RATINGS INDICATED ON NOTE 2 BELOW.

IN ORDER TO VERIFY THE ABOVE CONDITION, ULTIMATE DESIGN WIND LOADS DETERMINED PER ASCE 7-22 SHALL BE FIRST REDUCED TO A.S.D. DESIGN WIND LOADS BY MULTIPLYING THEM BY 0.6 IN ORDER TO COMPARE THESE W/ MAX. (A.S.D.) DESIGN PRESSURE RATINGS INDICATED ON NOTE 2 BELOW.

IN ORDER TO VERIFY THAT ANCHORS ON THIS P.E.D., AS TESTED, WERE NOT OVERSTRESSED, A 33% INCREASE IN ALLOWABLE STRESS FOR WIND LOADS WAS NOT USED IN THEIR ANALYSIS. FASTENERS SPACING IN WOOD HAS BEEN DETERMINED IN ACCORDANCE WITH N.D.S. 2018.

THIS PRODUCT'S ADEQUACY FOR IMPACT AND WIND RESISTANCE HAS BEEN VERIFIED IN ACCORDANCE WITH SECTIONS 1626 & 1609.1.2 OF THE ABOVE MENTIONED CODE AS PER PROTOCOLS TAS-201, TAS-202, TAS-203, PER FENESTRATION TESTING LABORATORY REPORT # 9073 AND AS PER SUBMITTED STRUCTURAL CALCULATIONS, PERFORMED AS PER SECTIONS 1616 & 1604 OF THE FLORIDA BUILDING CODE. GLASS HAS BEEN VERIFIED PER ASTM E-1300, PER SECTION 2404.1 OF THE FLORIDA BUILDING CODE.

2. MAXIMUM A.S.D. DESIGN PRESSURE RATINGS FOR THIS WINDOW SHALL BE AS SHOWN ON SHEET 27.

3. SERIES VPF 8000 ALUMINUM AWNING WINDOW WILL NOT REQUIRE A HURRICANE PROTECTION DEVICE.

4. SERIES VPF 8000 ALUMINUM AWNING WINDOW ARE APPROVED FOR AIR AND WATER INFILTRATION.

5. ALL ALUMINUM EXTRUSIONS IN CONTACT WITH DISSIMILAR MATERIALS SHALL COMPLY WITH SECTION III-6 OF THE 2020 ALUMINUM DESIGN MANUAL.

6. ALL COMPONENTS FOR THIS PRODUCT SHALL BE AS PER BILL OF MATERIAL & COMPONENTS SHEETS 2, 3 & 4.

7. ALL SCREWS USED FOR ASSEMBLY CONNECTIONS (METAL TO METAL) TO BE STAINLESS STEEL 401 AISI SERIES & SHALL COMPLY W/ FLORIDA BUILDING CODE SECTION 2411.3.3.4.

8. WOOD BUCKS BY OTHERS, MUST BE SOUTHERN PINE #2, G=0.55, AND SHALL COMPLY WITH SECTION 2411.3.3.3 OF THE FLORIDA BUILDING CODE.

(8.1) 2X WOOD BUCKS MUST BE PROPERLY ANCHORED TO EXISTING STRUCTURE TO TRANSFER LOADS TO IT. ANCHORAGE IS INDEPENDENT OF WINDOW FRAME ANCHORAGE. WINDOW FRAME MUST BE SEPARATELY ANCHORED TO 2X WOOD BUCK FOLLOWING DETAILS ON THIS DRAWING.

(8.2) 1X WOOD BUCK (OR ANY WOOD BUCK LESS THAN 2X) MUST BE PROPERLY ANCHORED TO EXISTING STRUCTURE TO TRANSFER LOADS TO IT. WINDOW FRAME ANCHOR SHALL BE USED TO ATTACH 1X WOOD BUCK TO EXISTING STRUCTURE BY DRIVING ANCHOR THRU BOTH WINDOW FRAME & 1X WOOD BUCK INTO EXISTING STRUCTURE W/ PROPER EMBEDMENT AND EDGE DISTANCE AS SHOWN ON THIS DRAWING.

(8.3) WINDOW FRAME WITH ADAPTOR (COMPONENT # ⑥) MAY BE DIRECTLY CONNECTED TO EXISTING STRUCTURE WITH NO NEED OF WOOD BUCKS WHEN MASONRY OPENING IS NOT LARGER THAN ACTUAL WINDOW OVERALL DIMENSIONS. HOWEVER, SHIMS (SEE NOTE 10) MAY BE ALLOWED AT WINDOW FRAME ANCHOR LOCATION IF NEEDED.

9. **ANCHOR NOTES:** EMBEDMENT AND EDGE DISTANCE ARE BEYOND ANY FINISH.

TO EXISTING POURED CONCRETE: (MIN. f'c = 3000 psi)  
 - 1/4"Ø TAPCON ANCHOR W/ 1 1/2" MIN. EMBEDMENT, 4" MIN. EDGE DISTANCE & 3" MIN. SPACING, AS MANUFACTURED BY ITW/BUILDEX, INC. (COMPONENT ⑫). SEE NOTE 8.

- 1/4"Ø KWIK-CON II W/ 1 3/4" MIN. EMBEDMENT, 2 1/2" MIN. EDGE DISTANCE & 2" MIN. SPACING, AS MANUFACTURED BY HILTI, INC. (COMPONENT ⑫A). SEE NOTE 8.

(B) TO EXISTING A.S.T.M. C-90 CONCRETE BLOCK WALL.  
 - 1/4"Ø TAPCON ANCHOR W/ 1" MIN. EMBEDMENT, 4" MIN. EDGE DISTANCE & 4" MIN. SPACING. AS MANUFACTURED BY ITW/BUILDEX, INC. (COMPONENT ⑫). SEE NOTE 8.

- 1/4"Ø KWIK-CON II W/ 1" MIN. EMBEDMENT, 2 1/2" MIN. EDGE DISTANCE & 3" MIN. SPACING, AS MANUFACTURED BY HILTI, INC. (COMPONENT ⑫A). SEE NOTE 8.

(C) TO EXISTING 2xP.T. WOOD BUCK. OR WOOD STRUCTURE MIN. EDGE DISTANCE (E.D.)=1" & 3" MIN. SPACING.

- 1/4"Ø-14 TAPCON ANCHORS W/ 1 1/2" MIN. PENETRATION, 1" MIN. EDGE DISTANCE & 3" MIN. SPACING. AS MANUFACTURED BY ITW/BUILDEX, INC. (COMPONENT ⑫). SEE NOTE 8.

- 1/4"Ø KWIK-CON II W/ 1 1/2" MIN. EMBEDMENT, 1" MIN. EDGE DISTANCE & 3" MIN. SPACING, AS MANUFACTURED BY HILTI, INC. (COMPONENT ⑫A). SEE NOTE 8.

(D) TO EXISTING MIN. 1/8" THICK ALUMINUM TUBE (6063-T5 ALLOY) MIN. EDGE DISTANCE (E.D.) = 1/2" & 2" MIN. SPACING.

- 1/4"Ø-14 TEK SCREW, AS MANUFACTURED BY ITW/BUILDEX, INC. (COMPONENT ⑬). THREADS SHALL GO THRU THE TUBE THICKNESS.

(E) TO EXISTING MIN. 1/8" THICK STEEL MEMBER (ASTM A-500, A-653 OR A-36) MIN. EDGE DISTANCE (E.D.) = 1/2" & 2" MIN. SPACING.

- 1/4"Ø-14 TEK SCREW, AS MANUFACTURED BY ITW/BUILDEX, INC. (COMPONENT ⑬). THREADS SHALL GO THRU THE FULL TUBE THICKNESS.

10. PROVIDE 1/4" MAX. LOAD BEARING SHIM SPACE (TYP.).

11. (a) THIS P.E.D. PREPARED BY THIS ENGINEER IS GENERIC AND DOES NOT PROVIDE INFORMATION FOR A SITE SPECIFIC PROJECT; i.e. WHERE THE SITE CONDITIONS DEVIATE FROM THE P.E.D.

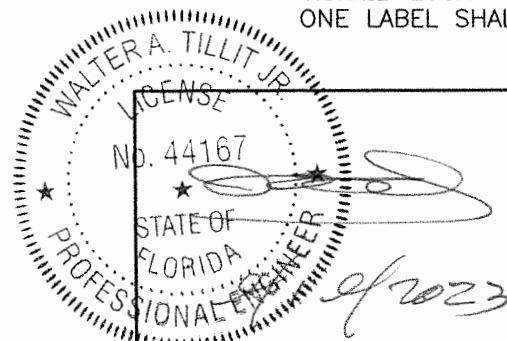
(b) CONTRACTOR TO BE RESPONSIBLE FOR THE SELECTION, PURCHASE AND INSTALLATION INCLUDING LIFE SAFETY OF THIS PRODUCT, BASED ON THIS P.E.D., PROVIDED HE/SHE DOES NOT DEVIATE FROM THE CONDITIONS DETAILED ON THIS DOCUMENT. CONSTRUCTION SAFETY AT SITE IS THE CONTRACTOR'S RESPONSIBILITY.

(c) THIS P.E.D. WILL BE CONSIDERED INVALID IF ALTERED BY ANY MEANS.

(d) ORIGINAL P.E.D. SHALL BEAR THE DATE AND ORIGINAL SEAL AND SIGNATURE OF THE PROFESSIONAL ENGINEER OF RECORD THAT PREPARED IT.

12. SERIES VPF 8000 ALUMINUM AWNING WINDOW MANUFACTURER'S LABEL SHALL BE LOCATED ON A READILY VISIBLE LOCATION AT PRODUCT IN ACCORDANCE WITH SECTION 1709.5 OF THE FLORIDA BUILDING CODE. ONE LABEL SHALL BE PLACED FOR EVERY UNIT.

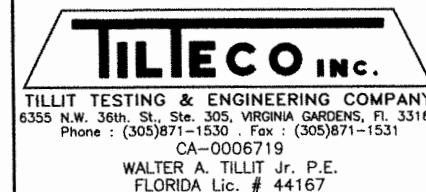
THIS DRAWING SHALL ONLY BE USED TO OBTAIN PERMITS IN THE STATE OF FLORIDA



P.E. SEAL/SIGNATURE/DATE

FLORIDA BUILDING CODE (HIGH & NON HIGH VELOCITY HURRICANE ZONE)

©2023 TILTECO, INC.



SERIES VPF 8000 ALUMINUM AWNING WINDOW-LMI



290 WEST 78 ROAD  
 HIALEAH, FL 33014  
 PH: (954)226-5555/(305)558-8103  
 FAX: (305)558-6665  
 www.gigwindows.com

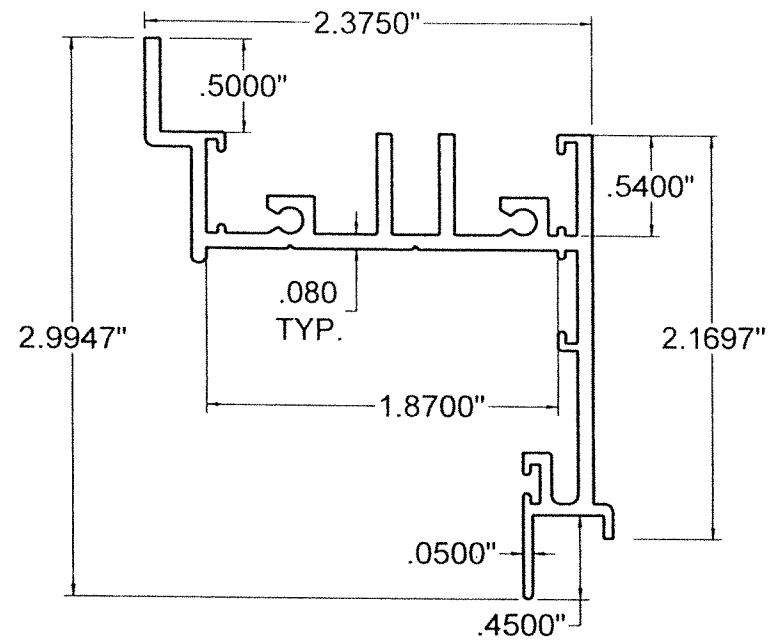
W.H  
 DRAWN BY:

09/12/2023  
 DATE:

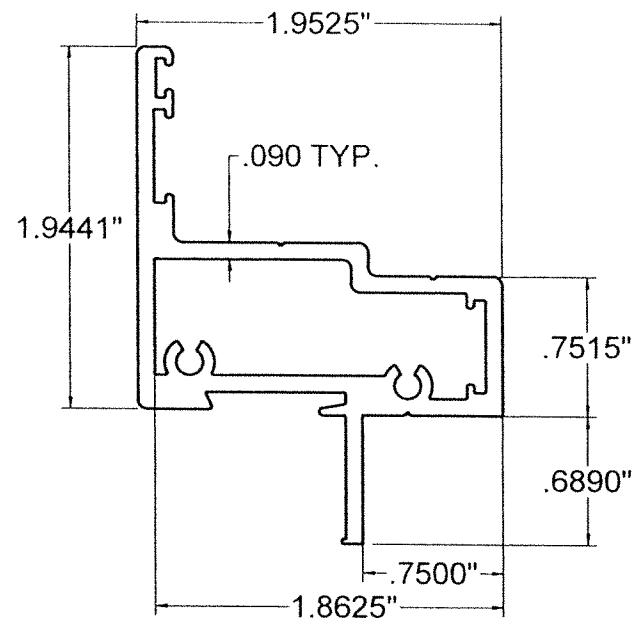
23-211  
 DRAWING No.

SHEET 1 OF 34

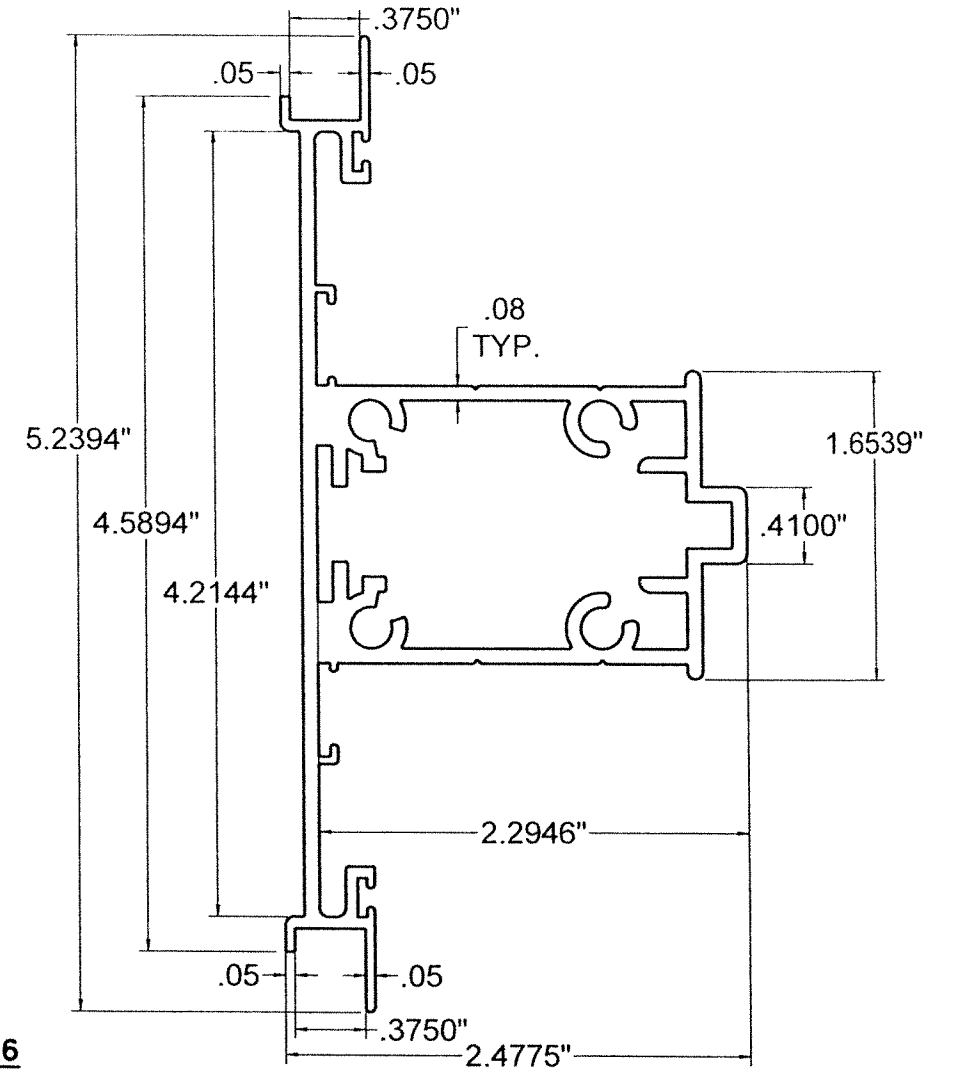
REV. NO	DESCRIPTION	DATE	REV. No	DESCRIPTION	DATE
1	OLD 20-274	09/12/23	3		
2			4		



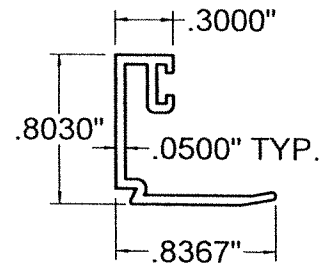
1 FRAME



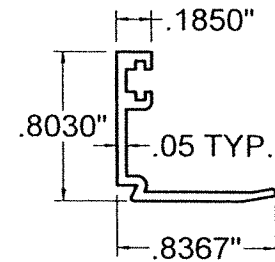
2 VENT FRAME



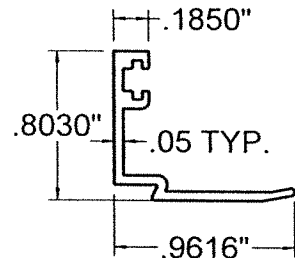
3 CENTER POST



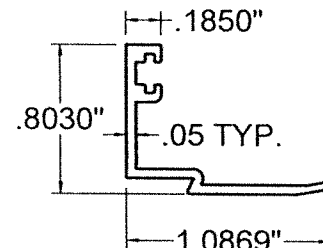
4A GLAZING BEAD 5/16



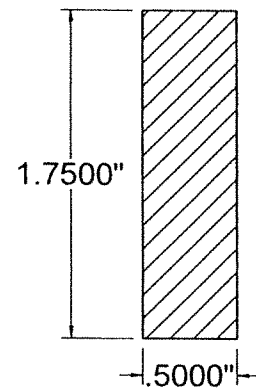
4B GLAZING BEAD 7/16



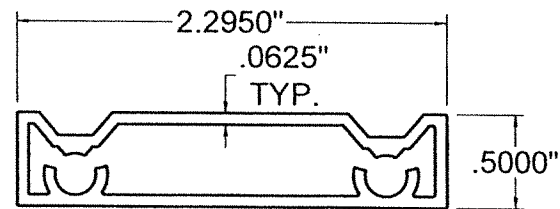
4C GLAZING BEAD 9/16



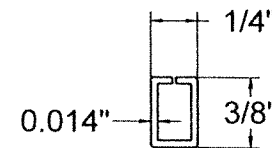
4D GLAZING BEAD 11/16



5 ALUM. INSERT BAR



6 EQUAL FRAME ADAP.



39 INSULATED GLASS UNIT SPACER

# COMPONENTS

SCALE 1"=1"

WALTER A. TILLIT JR.  
LICENSE  
No. 44167  
STATE OF  
FLORIDA  
PROFESSIONAL ENGINEER  
P.E. SEAL/SIGNATURE/DATE

FLORIDA BUILDING CODE (HIGH & NON HIGH VELOCITY HURRICANE ZONE)

©2023 TILTECO, INC.

**TILTECO inc.**

TILLIT TESTING & ENGINEERING COMPANY  
6355 N.W. 36th St., Ste. 305, VIRGINIA GARDENS, FL 33166  
Phone: (305)871-1530 Fax: (305)871-1531  
CA-0006719  
WALTER A. TILLIT Jr. P.E.  
FLORIDA Lic. # 44167

SERIES VPF 8000 ALUMINUM AWNING WINDOW-LMI



290 WEST 78 ROAD  
HALEAH, FL 33014  
PH: (954)226-5555/(305)558-8103  
FAX: (305)558-6665  
www.gigwindows.com

W.H  
DRAWN BY:

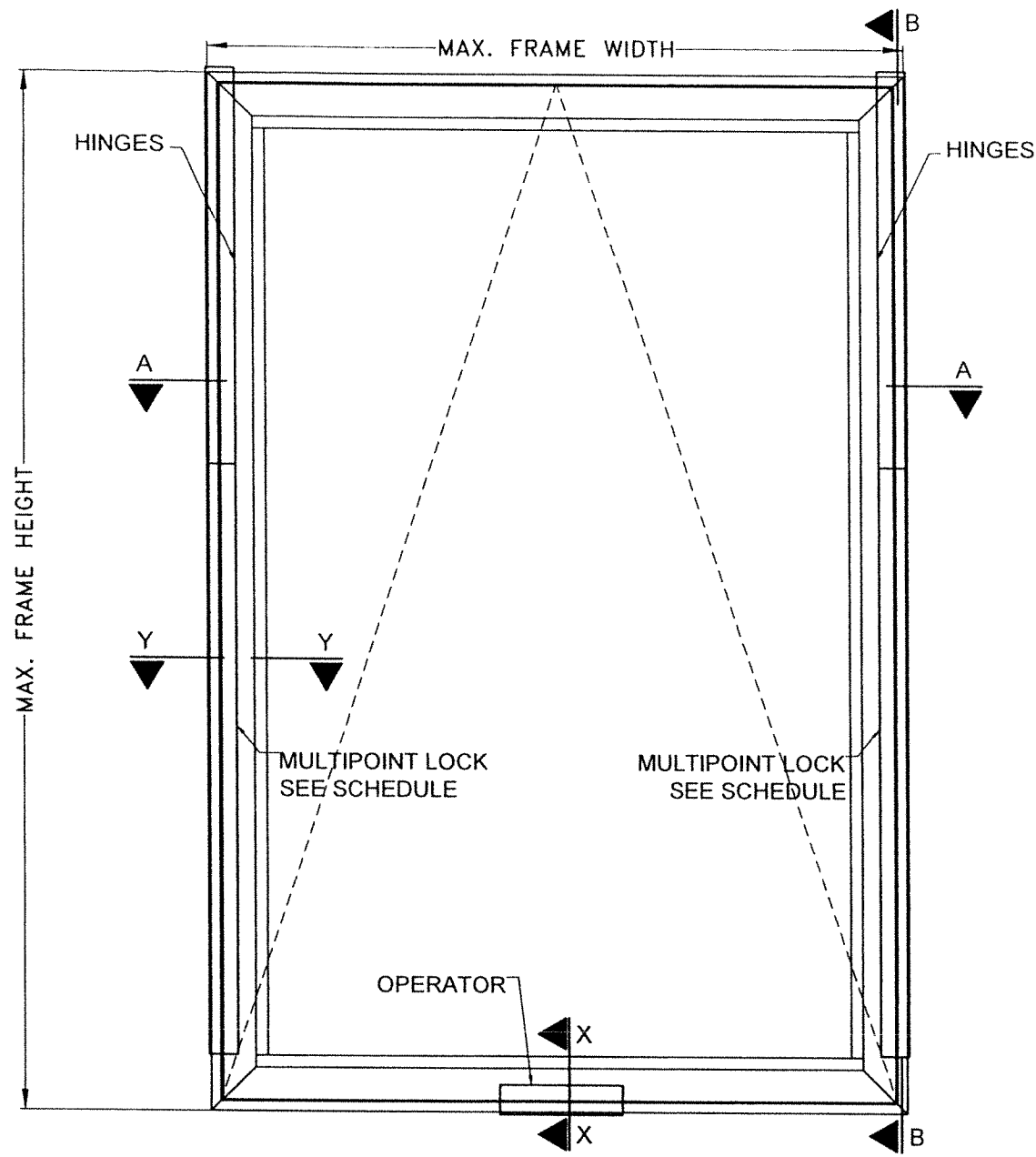
09/12/2023  
DATE:

23-211

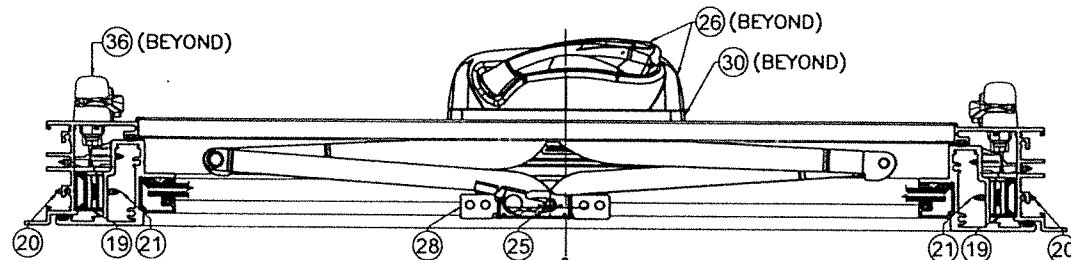
DRAWING No.

REV. NO	DESCRIPTION	DATE	REV. No	DESCRIPTION	DATE
1	OLD 20-274	09/12/23	3		
2			4		

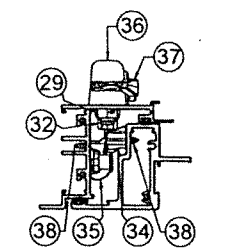
SHEET 2 OF 34



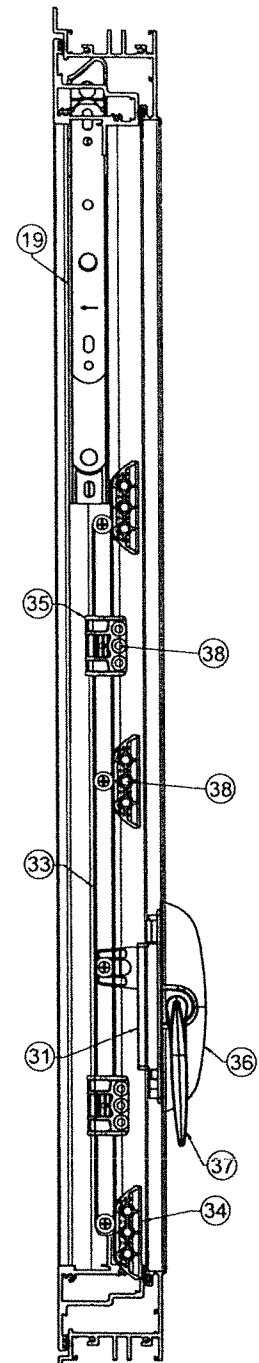
**ELEVATION (VERTICAL ORIENTATION)**



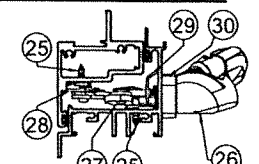
**SECTION A-A**



**SECTION Y-Y**



**SECTION B-B**



**SECTION X-X**

MULTIPOINT LOCK SCHEDULE	
FRAME HEIGHT	# OF MULTIPOINT
33 1/4" TO 39 1/4"	2
39 1/4" TO 45 1/4"	3
45 1/4" TO 51 1/4"	4
51 1/4" TO 57 1/4"	4
57 1/4" TO 63 1/4"	5
63 1/4" TO 69 1/4"	5
69 1/4" TO 74"	5

**HARDWARE DETAILS:  
REQ'D. AT EA. VENT  
(TYP.): SEE SHEETS  
7, 8 & 9.**

WALTER A. TILLIT JR.  
LICENSE  
No. 44167  
STATE OF FLORIDA  
PROFESSIONAL ENGINEER  
09/12/2023  
P.E. SEAL/SIGNATURE/DATE

FLORIDA BUILDING CODE (HIGH & NON HIGH VELOCITY HURRICANE ZONE)

©2023 TILTECO, INC.

**TILTECO INC.**

TILLIT TESTING & ENGINEERING COMPANY  
6355 N.W. 36th St., Ste. 305, VIRGINIA GARDENS, FL 33166  
Phone : (305)871-1530 . Fax : (305)871-1531  
CA-0006719  
WALTER A. TILLIT Jr. P.E.  
FLORIDA Lic. # 44167

**SERIES VPF 8000 ALUMINUM  
AWNING WINDOW-LMI**



290 WEST 78 ROAD  
HIALEAH, FL 33014  
PH: (954)226-5555/(305)558-8103  
FAX: (305)558-6665  
www.gigwindows.com

W.H  
DRAWN BY:

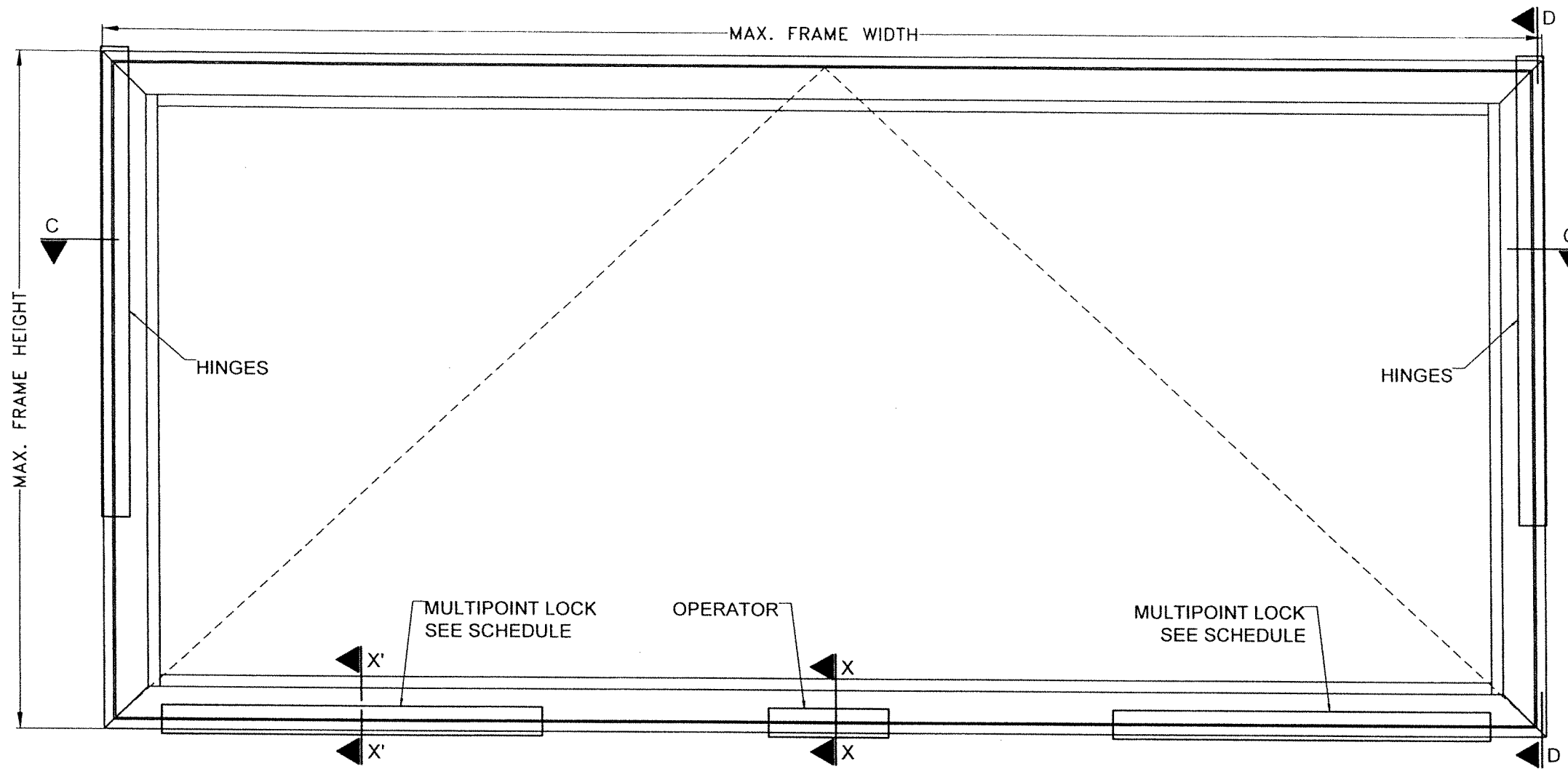
09/12/2023  
DATE:

**23-211**

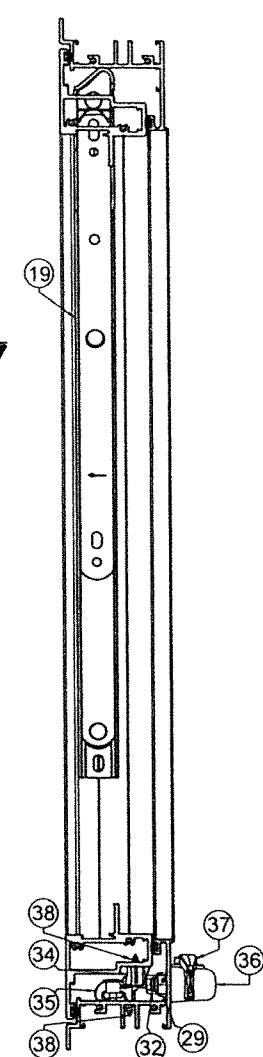
DRAWING No.

REV. NO	DESCRIPTION	DATE	REV. No	DESCRIPTION	DATE
1	OLD 20-274	09/12/23	3		
2			4		

SHEET 3 OF 34

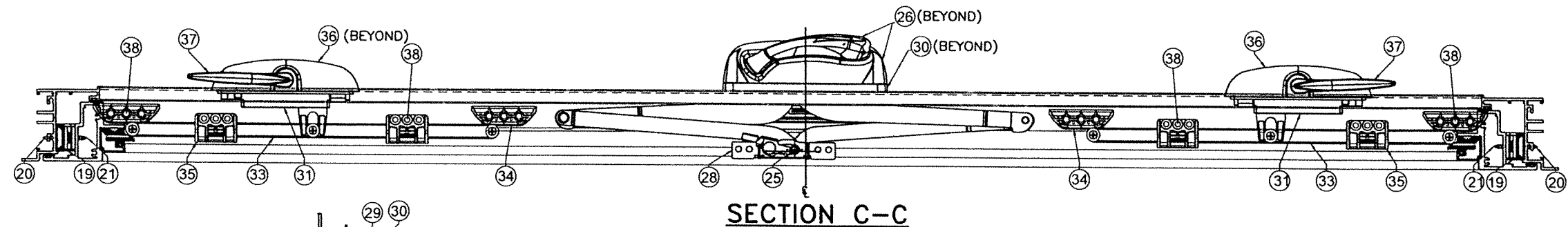


ELEVATION (HORIZONTAL ORIENTATION)



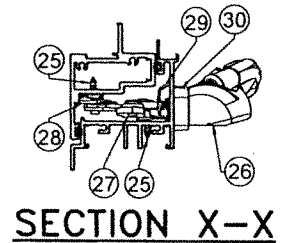
SECTION D-D

MULTIPOINT LOCK SCHEDULE	
FRAME WIDTH	# OF MULTIPOINT
33 1/4" TO 39 1/4"	2
39 1/4" TO 45 1/4"	3
45 1/4" TO 51 1/4"	4
51 1/4" TO 57 1/4"	4
57 1/4" TO 63 1/4"	5
63 1/4" TO 69 1/4"	5
69 1/4" TO 75 1/4"	5
75 1/4" TO 81 1/4"	6
81 1/4" TO 84"	6

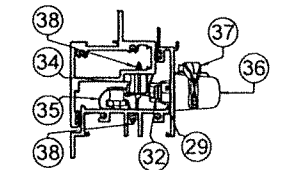


SECTION C-C

**HARDWARE DETAILS:**  
**REQ'D. AT EA.**  
**VENT (TYP.): SEE**  
**SHEETS 7, 8 & 9.**



SECTION X-X



SECTION X'-X'

WALTER A. TILLIT JR.  
 LICENSE  
 No. 44167  
 STATE OF FLORIDA  
 PROFESSIONAL ENGINEER  
 9/2023  
 P.E. SEAL/SIGNATURE/DATE

FLORIDA BUILDING CODE (HIGH & NON HIGH VELOCITY HURRICANE ZONE)

©2023 TILTECO, INC.

**TILTECO INC.**

TILLIT TESTING & ENGINEERING COMPANY  
 6355 N.W. 36th St., Ste. 305, VIRGINIA GARDENS, FL 33166  
 Phone : (305)871-1530 . Fax : (305)871-1531  
 CA-0006719  
 WALTER A. TILLIT Jr. P.E.  
 FLORIDA Lic. # 44167

**SERIES VPF 8000 ALUMINUM AWNING WINDOW-LMI**

W.H. DRAWN BY:  
 09/12/2023 DATE:  
**23-211**  
 DRAWING No.  
 SHEET 3A OF 34

290 WEST 78 ROAD  
 HIALEAH, FL 33014  
 PH: (954)226-5555/(305)558-8103  
 FAX: (305)558-6665  
 www.gigwindows.com

REV. NO	DESCRIPTION	DATE	REV. No	DESCRIPTION	DATE
1	OLD 20-274	09/12/23	3		
2			4		

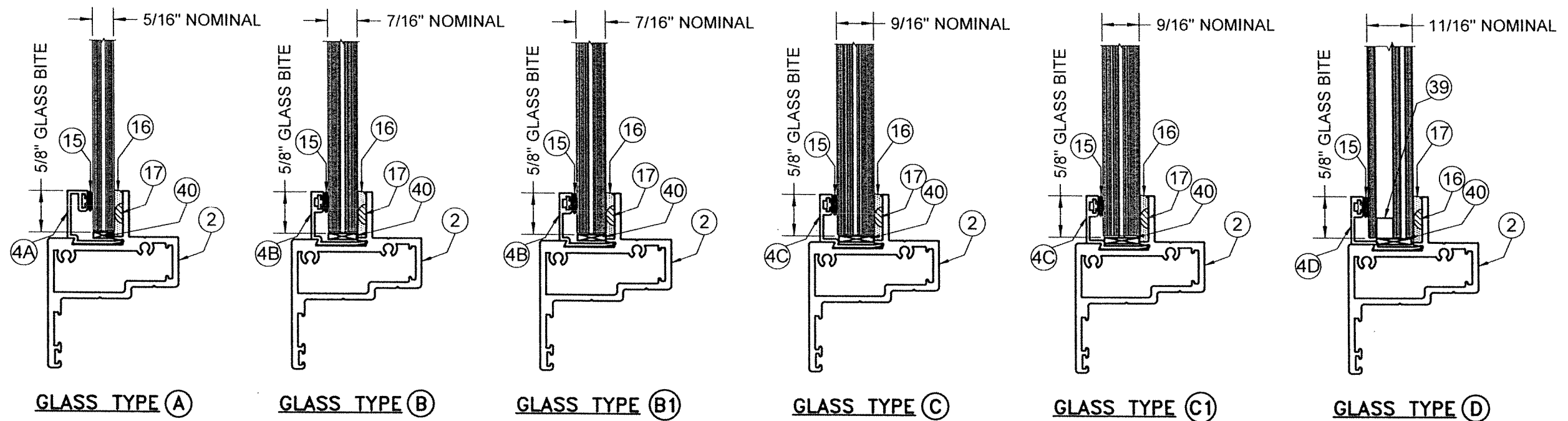
**BILL OF MATERIALS: AWNING WINDOW (SEE SHEETS 7, 8 & 9)**

COMPONENT #	DESCRIPTION	DIMENSIONS/REMARKS	MATERIAL
1	FRAME	SHEET 2	6063-T6 ALUMINUM
2	VENT FRAME	SHEET 2	6063-T6 ALUMINUM
3	CENTER POST	SHEET 2	6063-T6 ALUMINUM
4A	GLAZING BEAD 5/16"	SHEET 2	6063-T6 ALUMINUM
4B	GLAZING BEAD 7/16"	SHEET 2	6063-T6 ALUMINUM
4C	GLAZING BEAD 9/16"	SHEET 2	6063-T6 ALUMINUM
4D	GLAZING BEAD 11/16"	SHEET 2	6063-T6 ALUMINUM
5	ALUMINUM INSERT BAR	SHEET 2	6063-T6 ALUMINUM
6	EQUAL FRAME ADAPTOR	SHEET 2	6063-T6 ALUMINUM
8	FRAME & VENT ASSEMBLY SCREWS	#8-32 x 3/4" P.H. M.S.	ST. STEEL
9	CENTER POST ASSEMBLY SCREWS	#14 x 2-3/4" H.H. TEK SCREWS	STEEL
12	1/4"Ø TAPCON (ITW/BUILDEX)	1/4" Ø (SEE NOTE 9/1)	STEEL
12A	1/4"Ø-14 KWIK-CON II (HILTI)	1/4" Ø (SEE NOTE 9/1)	STEEL
13	1/4"Ø-14 TEK SCREW (ITW/BUILDEX)	1/4" Ø (SEE NOTE 9/1)	STEEL
14	CORNER LOCK, 0.050" THK. x 1.7430" x 1.7430" x 0.473"	SULLIVAN ASSOCIATES	ST. STEEL
15	GLAZING BULB	0.250"x0.345" (ULTRAFAB)	VINYL
16	STRUCTURAL SILICONE DOW CORNING 995	ALL AROUND GLASS	SILICONE
17	BUMPER SPHEAR	-	SILICONE
18	NON STRUCTURAL SILICONE DOW CORNING CONTRACTORS, CONCRETE SEALANT (CCS)	AS SHOWN	SILICONE
19	4 BAR HINGE HEAVY DUTY	INTERLOCK	304 S.S.
20	HINGE MOUNTING SCREWS AT FRAME	#10 x 5/8" PH SMS. SEE SHEET 3	ST. STEEL
21	HINGE MOUNTING SCREWS AT VENT	#10 x 5/8" PH SMS. SEE SHEET 3	ST. STEEL
22	SINGLE ARM OPERATOR LEFT HANDING FOR CASEMENT	SEE SHEET 3	ST. STEEL
23	SINGLE ARM OPERATOR LEFT HANDING SCREWS	#10-24 X 1/2" F.H. M.S.	ST. STEEL
24	SINGLE ARM OPERATOR TRACK	SEE SHEET 3	-
25	SINGLE ARM OPERATOR TRACK SCREWS & SASH BRACKET MOUNTING SCREW & AWNING OPERATOR NARROW-STAINLESS	#8-32 X 5/8" F.H. SCREWS	ST. STEEL
26	OPERATOR COVER AND HANDLE	SEE SHEET 3	-
27	AWNING OPERATOR NARROW-STAINLESS	SEE SHEET 3	ST. STEEL
28	AWNING SASH BRACKET	SEE SHEET 3	-
29	RETAINER CLIP	SEE SHEET 3	ST. STEEL
30	CASEMENT & AWNING FACE SPACER	SEE SHEET 3	-
31	MULTI-POINT LOCK MECHANISM	SEE SHEET 3	ST. STEEL
32	MULTI-POINT LOCK MECHANISM MOUNTING SCREWS	#8-32 X 3/4" F.H. MS	ST. STEEL
33	LOCKING BARS	SEE SHEET 3	ST. STEEL
34	CASEMENT STRIKE	SEE SHEET 3	-
35	CASEMENT GUIDE	SEE SHEET 3	-
36	SNAP ON COVER	SEE SHEET 3	-
37	SNAP ON HANDLE	SEE SHEET 3	-
38	LOCK MOUNTING SCREW AT VENT AND FRAME	#8-32 X 3/4" F.H. MS	ST. STEEL
39	INSULATED GLASS UNIT SPACER	SEE SHEET 2	3105-H24 ALUMINUM
40	SETTING BLOCK	1/8" X 5/8"	EPDM 70 SHORE A DUROMETER

WALTER A. TILLIT JR.  
 LICENSE No. 44167  
 STATE OF FLORIDA  
 PROFESSIONAL ENGINEER  
 9/2023  
 P.E. SEAL/SIGNATURE/DATE

FLORIDA BUILDING CODE (HIGH & NON HIGH VELOCITY HURRICANE ZONE)		W.H. DRAWN BY:	
©2023 TILTECO, INC.		SERIES VPF 8000 ALUMINUM AWNING WINDOW-LMI	
TILTECO INC. TILLIT TESTING & ENGINEERING COMPANY 6355 N.W. 36th. St., Ste. 305, VIRGINIA GARDENS, FL 33166 Phone : (305)871-1530 . Fax : (305)871-1531 CA-0006719 WALTER A. TILLIT Jr., P.E. FLORIDA Lic. # 44167		290 WEST 78 ROAD HIALEAH, FL 33014 PH: (954)226-5555/(305)558-8103 FAX: (305)558-6665 www.gigwindows.com	
DATE: 09/12/23		DATE: 09/12/2023	
DRAWING No. 23-211		DRAWING No.	
SHEET 4 OF 34		SHEET 4 OF 34	

GLASS SCHEDULE		
COMPONENT #	DESCRIPTION	MATERIAL
(A)	5/16" NOMINAL LAMINATED GLASS W/ 1/8" H.S. GLASS +0.090" TROSIFOL PVB INTERLAYER BY KURARAY AMERICA, INC. + 1/8" H.S. GLASS.	GLASS
(B)	7/16" NOMINAL LAMINATED GLASS W/ 3/16" H.S. GLASS +0.090" TROSIFOL PVB INTERLAYER BY KURARAY AMERICA, INC. + 3/16" H.S. GLASS.	GLASS
(B1)	7/16" NOMINAL LAMINATED GLASS W/ 3/16" H.S. GLASS +0.090" SENTRYGLAS® INTERLAYER BY KURARAY AMERICA, INC. + 3/16" H.S. GLASS.	GLASS
(C)	9/16" NOMINAL LAMINATED GLASS W/ 1/4" H.S. GLASS +0.090" TROSIFOL PVB INTERLAYER BY KURARAY AMERICA, INC. + 1/4" H.S. GLASS.	GLASS
(C1)	9/16" NOMINAL LAMINATED GLASS W/ 1/4" H.S. GLASS +0.090" SENTRYGLAS® INTERLAYER BY KURARAY AMERICA, INC. + 1/4" H.S. GLASS.	GLASS
(D)	11/16" NOMINAL INSULATED-LAMINATED GLASS W/ 1/8" TEMPERED GLASS OUT BOARD -1/4 ARGON SPACER + 1/8 H.S. GLASS +0.090" TROSIFOL PVB INTERLAYER BY KURARAY AMERICA, INC. + 1/8" H.S. GLASS.	GLASS



### GLASS CONFIGURATION

WALTER A. TILLIT JR.  
 LICENSE  
 No. 44167  
 STATE OF  
 FLORIDA  
 PROFESSIONAL ENGINEER  
 1/1/2023  
 P.E. SEAL/SIGNATURE/DATE

FLORIDA BUILDING CODE (HIGH & NON HIGH VELOCITY HURRICANE ZONE)

©2023 TILTECO, INC.

**TILTECO INC.**

TILLIT TESTING & ENGINEERING COMPANY  
 6355 N.W. 36th St., Ste. 305, VIRGINIA GARDENS, FL 33166  
 Phone: (305)871-1530 Fax: (305)871-1531  
 CA-0006719  
 WALTER A. TILLIT Jr. P.E.  
 FLORIDA Lic. # 44167

**SERIES VPF 8000 ALUMINUM  
 AWNING WINDOW-LMI**



290 WEST 78 ROAD  
 HIALEAH, FL 33014  
 PH: (954)226-5555/(305)558-8103  
 FAX: (305)558-6665  
 www.gigwindows.com

W.H  
 DRAWN BY:

09/12/2023  
 DATE:

**23-211**

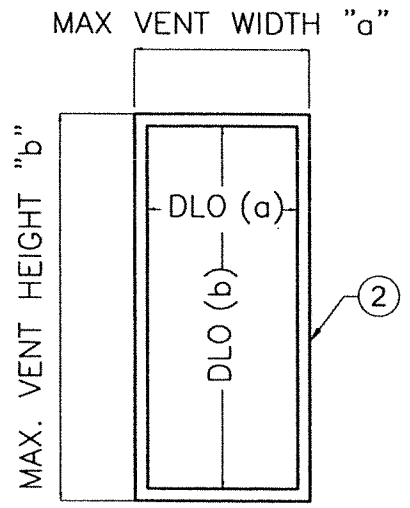
DRAWING No.

REV. NO	DESCRIPTION	DATE	REV. No	DESCRIPTION	DATE
1	OLD 20-274	09/12/23	3		
2			4		

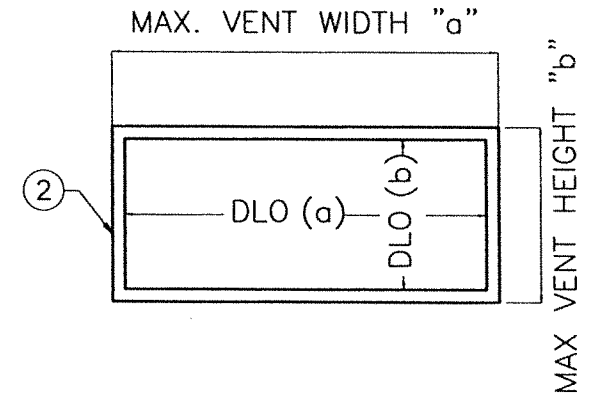
SHEET 5 OF 34

MAX. A.S.D. PRESSURE RATING FOR A GIVEN GLASS TYPE AND CORRESPONDING MAX. VENT WIDTHS AND VENT HEIGHTS AT VERTICAL ORIENTATION					
GLASS TYPE	MAX. A.S.D. DESIGN PRESSURE RATING	MAX. VENT WIDTH "a"	MAX. VENT HEIGHT "b"	MAX. D.L.O. WIDTH (a)	MAX. D.L.O. HEIGHT (b)
(A), (B), (C), (D)	+72.0, -72.0 psf	41"	72 1/2"	35 3/16"	67 3/16"
(B1), (C1)	+105.0, -105.0 psf.	41"	53 3/8"	35 3/16"	48 1/16"
(B1), (C1)	+110.0, -110.0 psf.	39"	56 3/8"	33 3/16"	51 1/16"
(B1), (C1)	+120.0, -120.0 psf.	36"	61 3/8"	30 3/16"	56 1/16"

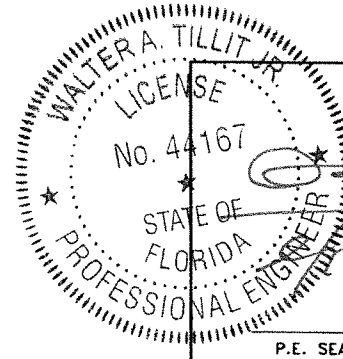
MAX. A.S.D. PRESSURE RATING FOR A GIVEN GLASS TYPE AND CORRESPONDING MAX. VENT WIDTHS AND VENT HEIGHTS AT HORIZONTAL ORIENTATION					
GLASS TYPE	MAX. A.S.D. DESIGN PRESSURE RATING	MAX. VENT WIDTH "a"	MAX. VENT HEIGHT "b"	MAX. D.L.O. WIDTH (a)	MAX. D.L.O. HEIGHT (b)
(A), (B), (C), (D)	+72.0, -72.0 psf	82 1/2"	40 1/2"	77 3/16"	35 3/16"
(B1), (C1)	+110.0, -110.0 psf.	56 3/8"	39"	51 1/16"	33 3/16"
(B1), (C1)	+120.0, -120.0 psf.	61 3/8"	36"	56 1/16"	30 3/16"



**VENT ELEVATION  
(VERTICAL ORIENTATION)**



**VENT ELEVATION  
(HORIZONTAL ORIENTATION)**



P.E. SEAL/SIGNATURE/DATE

FLORIDA BUILDING CODE (HIGH & NON HIGH VELOCITY HURRICANE ZONE)

©2023 TILTECO, INC.

**TILTECO INC.**

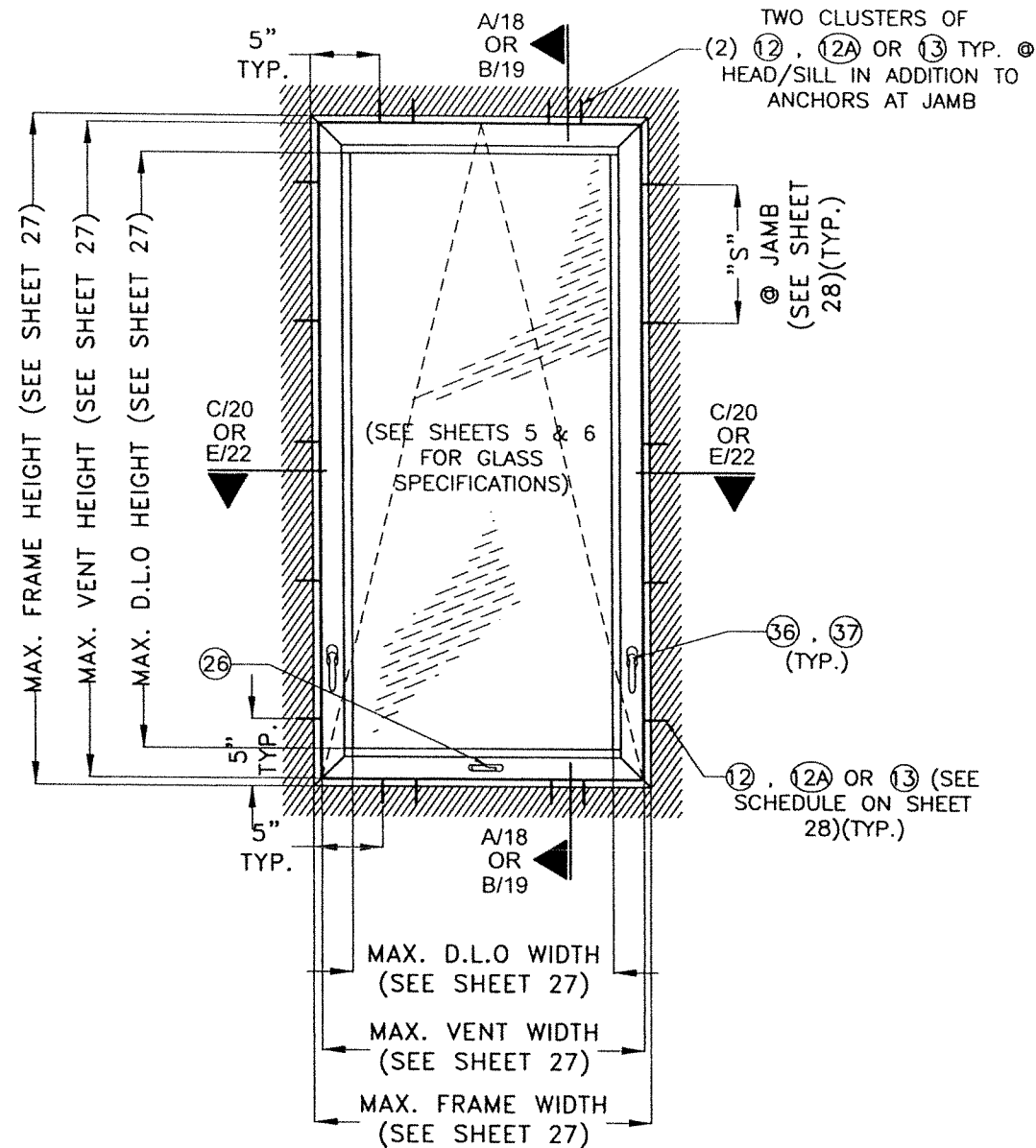
TILLIT TESTING & ENGINEERING COMPANY  
6355 N.W. 36th St., Ste. 305, VIRGINIA GARDENS, FL 33166  
Phone : (305)871-1530 . Fax : (305)871-1531  
CA-0006719  
WALTER A. TILLIT Jr. P.E.  
FLORIDA Lic. # 44167

**SERIES VPF 8000 ALUMINUM AWNING WINDOW-LMI**

290 WEST 78 ROAD  
HIALEAH, FL. 33014  
PH: (954)226-5555/(305)558-8103  
FAX: (305)558-6665  
www.gigwindows.com

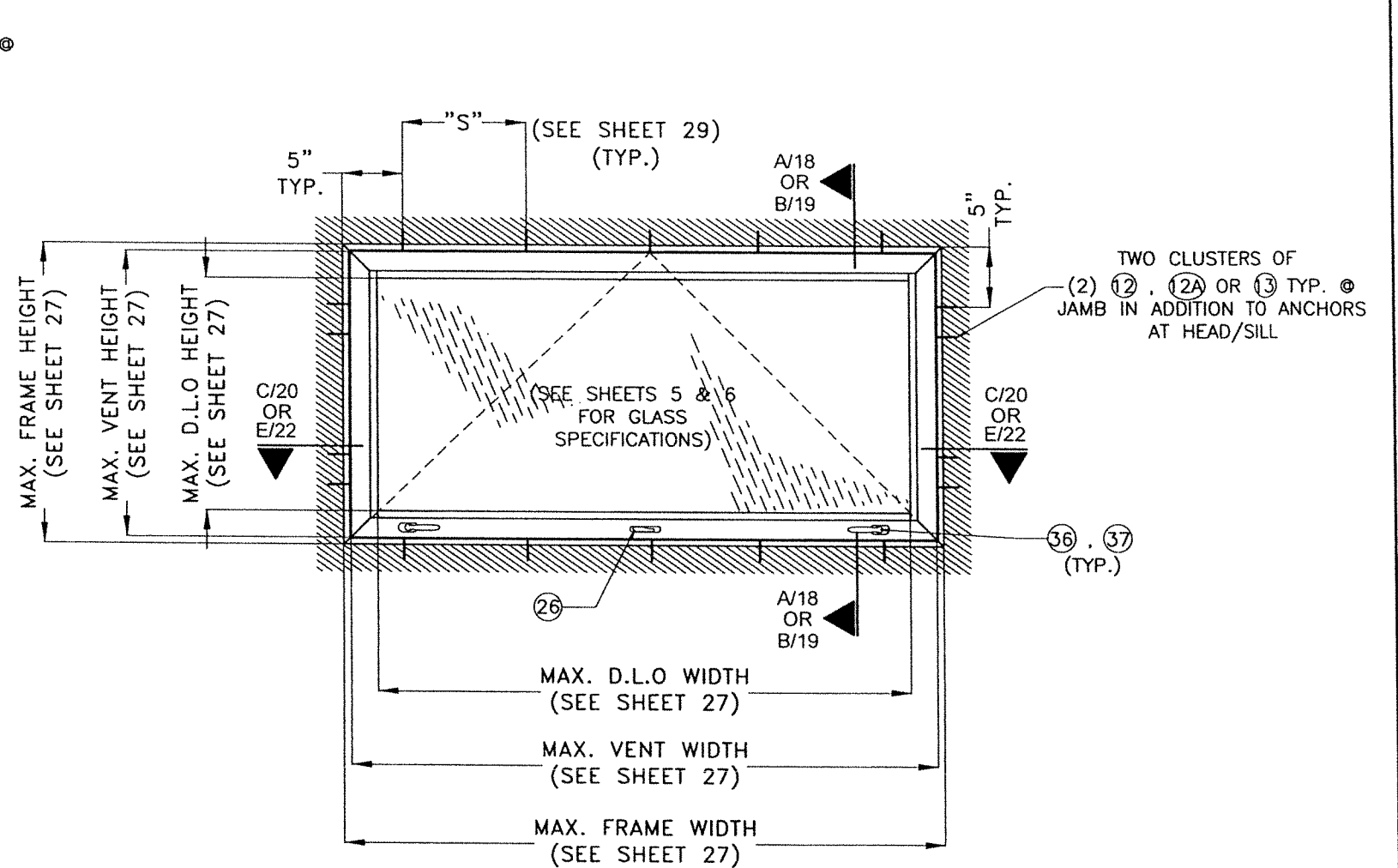
REV. NO	DESCRIPTION	DATE	REV. No	DESCRIPTION	DATE
1	OLD 20-274	09/12/23	3		
2			4		

W.H  
DRAWN BY:  
09/12/2023  
DATE:  
**23-211**  
DRAWING No.  
SHEET 6 OF 34

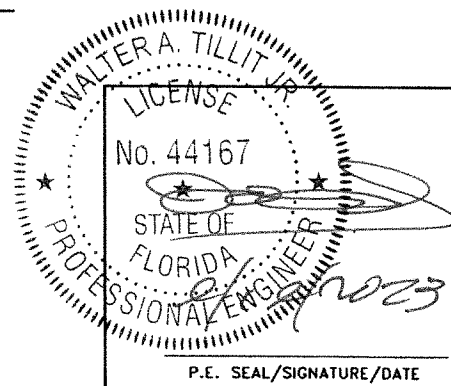


**TYPICAL EXTERIOR ELEVATION  
(VERTICAL ORIENTATION) W/ FRAME HEIGHT UP TO 74"  
AWNING WINDOW W/ ATTACHED JAMBS\***  
SCALE: 3/4"=1'-0"

\* NOTE: JAMBS MAY ALSO BE ATTACHED ONLY ON ONE SIDE & FREE STANDING ON THE OTHER SIDE (W/ ADAPTOR # ⑥) AS PER DETAILS ON SHEETS 7, 8.



**TYPICAL EXTERIOR ELEVATION (HORIZONTAL  
ORIENTATION) W/ FRAME WIDTH UP TO 74"  
AWNING WINDOW W/ ATTACHED HEAD/SILL\***  
SCALE: 3/4"=1'-0"



FLORIDA BUILDING CODE (HIGH & NON HIGH VELOCITY HURRICANE ZONE)

©2023 TILTECO, INC.



TILLIT TESTING & ENGINEERING COMPANY  
6355 N.W. 36th St., Ste. 305, VIRGINIA GARDENS, FL 33166  
Phone : (305)871-1530 . Fax : (305)871-1531  
CA-0006719  
WALTER A. TILLIT Jr. P.E.  
FLORIDA Lic. # 44167

**SERIES VPF 8000 ALUMINUM  
AWNING WINDOW-LMI**



290 WEST 78 ROAD  
HIALEAH, FL 33014  
PH: (954)226-5555/(305)558-8103  
FAX: (305)558-6665  
www.gigwindows.com

W.H  
DRAWN BY:

09/12/2023  
DATE:

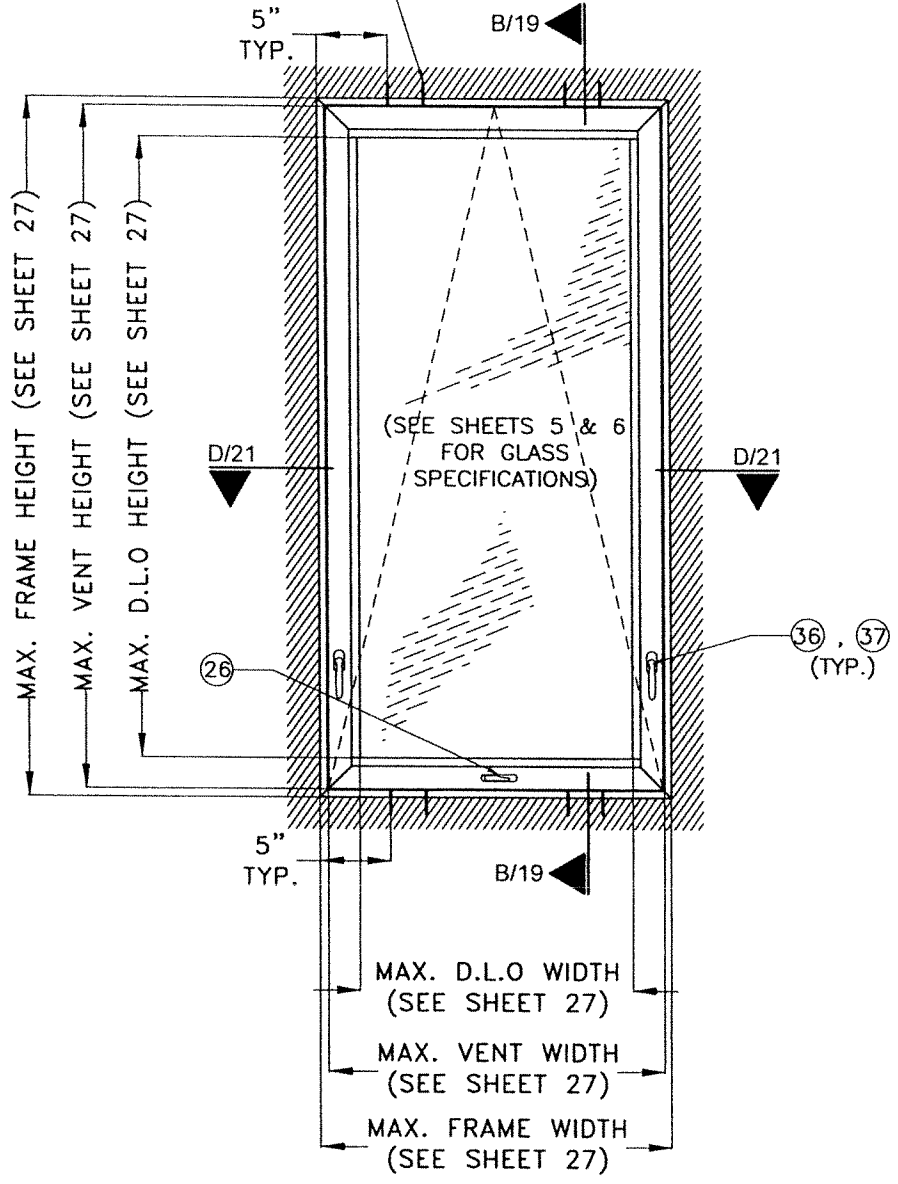
**23-211**

DRAWING No.

REV. NO	DESCRIPTION	DATE	REV. No	DESCRIPTION	DATE
1	OLD 20-274	09/12/23	3		
2			4		

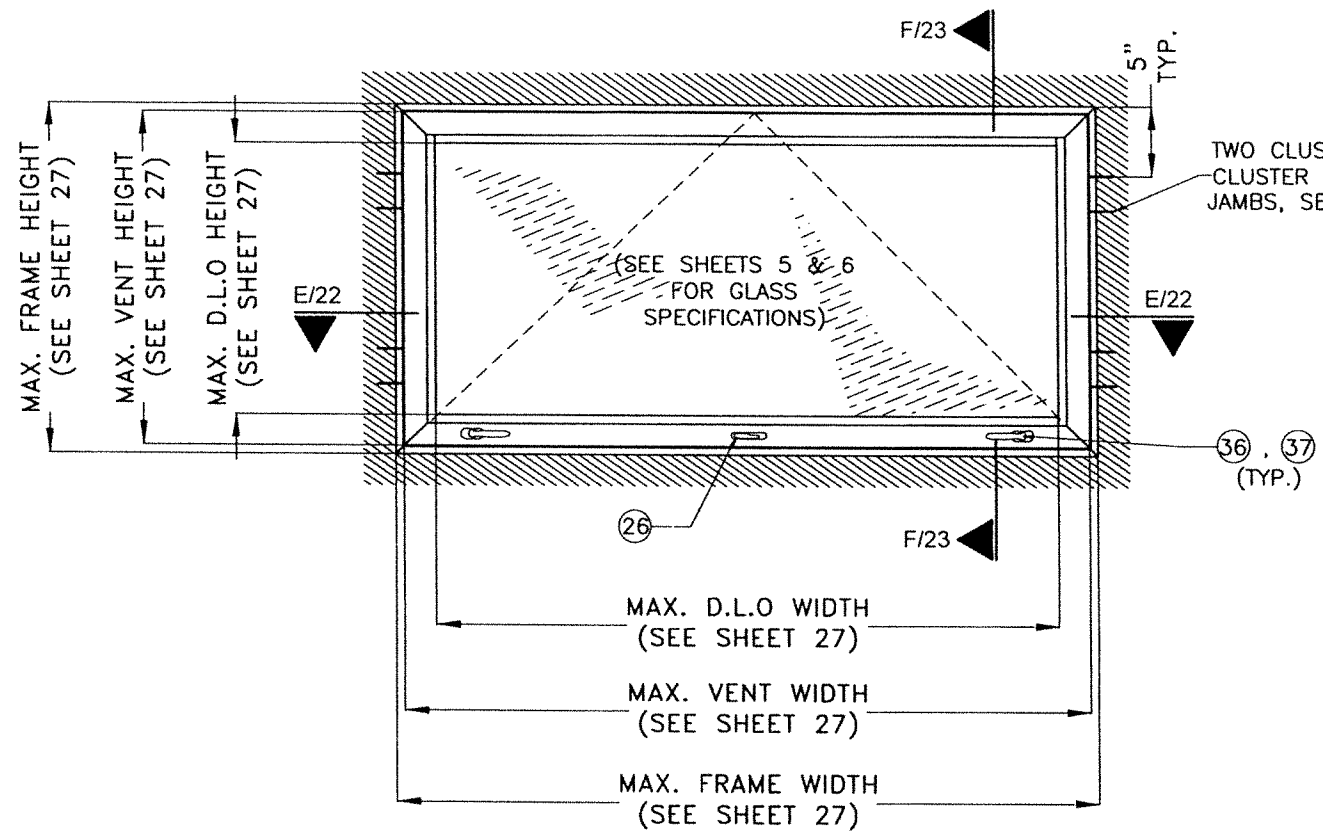
SHEET 7 OF 34

TWO CLUSTERS OF "n" ANCHORS (12), (12A) OR (13) TYP. @ HEAD/SILL, SEE SCHEDULE ON SHEET 31

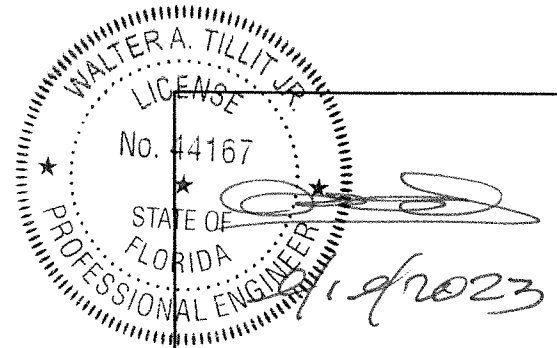


**TYPICAL EXTERIOR ELEVATION  
(VERTICAL ORIENTATION) W/ FRAME HEIGHT UP TO 74"  
AWNING WINDOW W/ NOT ATTACHED JAMBS\***  
SCALE: 3/4"=1'-0"

\* NOTE: JAMBS MAY ALSO BE ATTACHED ONLY ON ONE SIDE & FREE STANDING ON THE OTHER SIDE (W/ ADAPTOR # (6)) AS PER DETAILS ON SHEETS 7, 8.

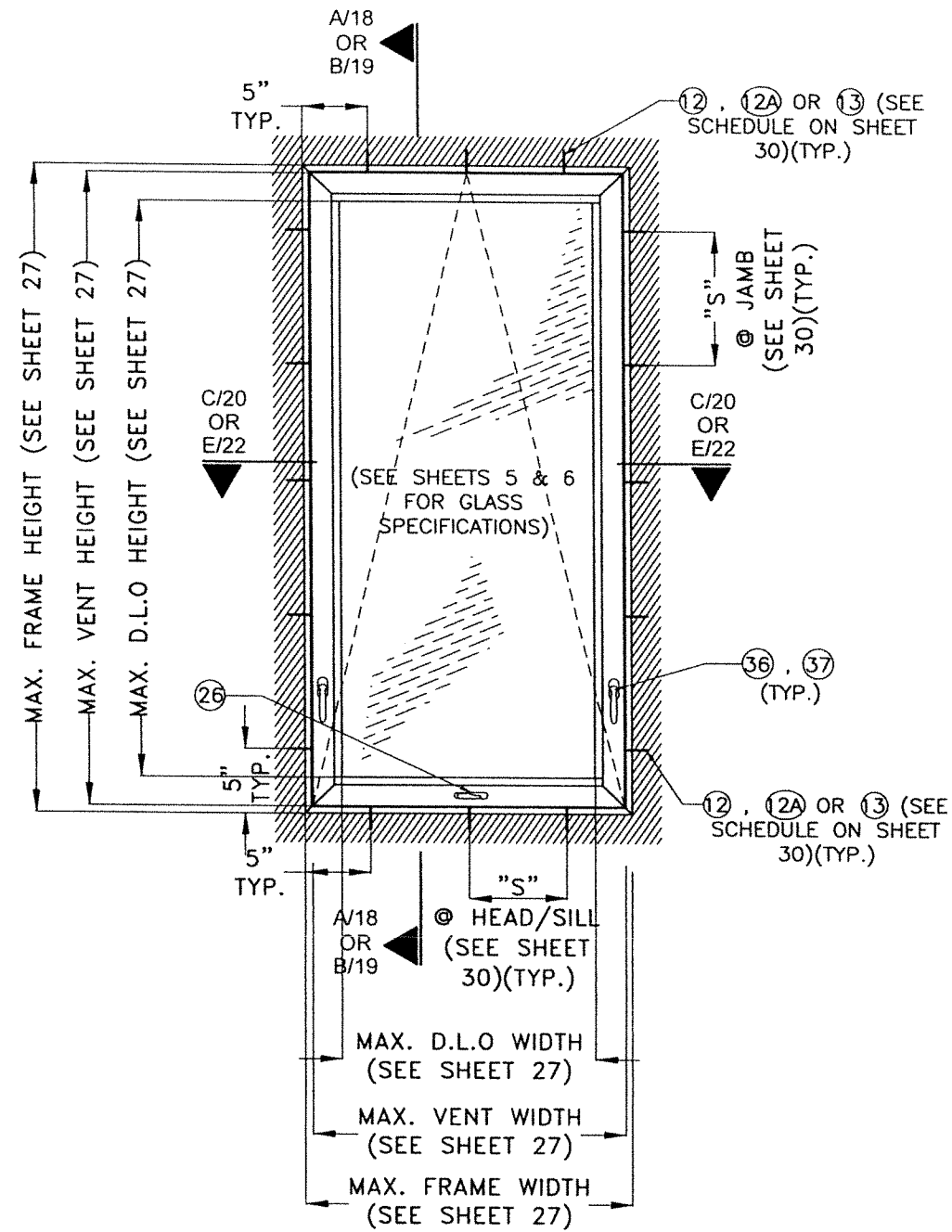


**TYPICAL EXTERIOR ELEVATION  
(HORIZONTAL ORIENTATION) W/ FRAME WIDTH UP TO 74"  
AWNING WINDOW W/ NOT ATTACHED HEAD/SILL\***  
SCALE: 3/4"=1'-0"

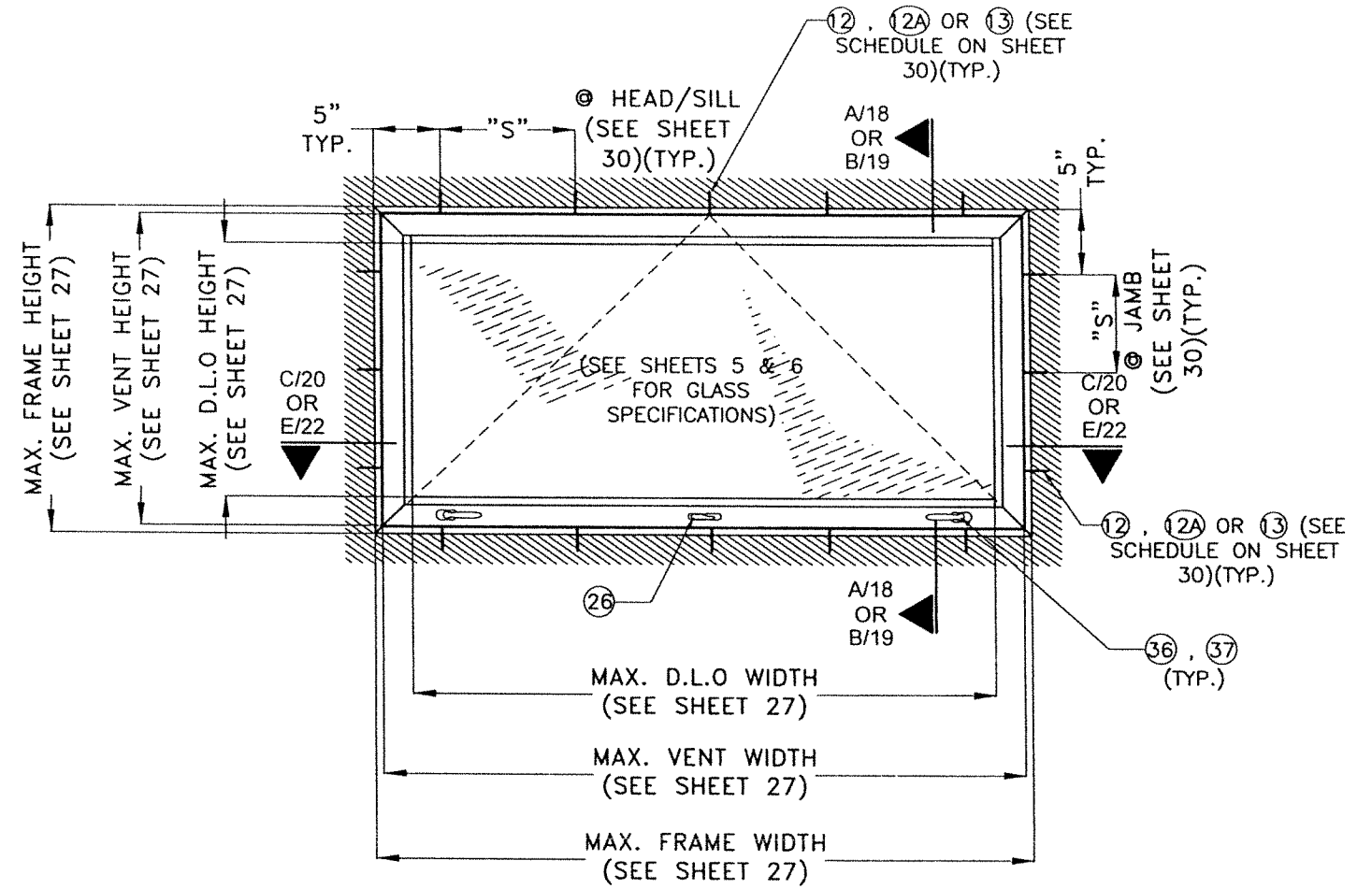


P.E. SEAL/SIGNATURE/DATE

FLORIDA BUILDING CODE (HIGH & NON HIGH VELOCITY HURRICANE ZONE)			
©2023 TILTECO, INC.		SERIES VPF 8000 ALUMINUM AWNING WINDOW-LMI	
 TILLIT TESTING & ENGINEERING COMPANY 6355 N.W. 36th St., Ste. 305, VIRGINIA GARDENS, FL 33166 Phone: (305)871-1530 • Fax: (305)871-1531 CA-0006719 WALTER A. TILLIT Jr. P.E. FLORIDA Lic. # 44167		 290 WEST 78 ROAD HALEAH, FL 33014 PH: (954)226-5555/(305)558-8103 FAX: (305)558-6665 www.gigwindows.com	
		W.H. DRAWN BY: 09/12/2023 DATE: <b>23-211</b> DRAWING No.	
REV. NO	DESCRIPTION	DATE	REV. No
1	OLD 20-274	09/12/23	3
2			4



**TYPICAL EXTERIOR ELEVATION (VERTICAL ORIENTATION)  
W/ FRAME HEIGHT LARGER THAN 74" UP TO 84"  
AWNING WINDOW W/ ATTACHED JAMBS\***  
SCALE: 3/4"=1'-0"



**TYPICAL EXTERIOR ELEVATION (HORIZONTAL ORIENTATION)  
W/ FRAME WIDTH LARGER THAN 74" UP TO 84"  
AWNING WINDOW W/ ATTACHED HEAD/SILL\***  
SCALE: 3/4"=1'-0"

WALTER A. TILLIT JR.  
LICENSE  
No. 44167  
STATE OF FLORIDA  
PROFESSIONAL ENGINEER  
9/2023  
P.E. SEAL/SIGNATURE/DATE

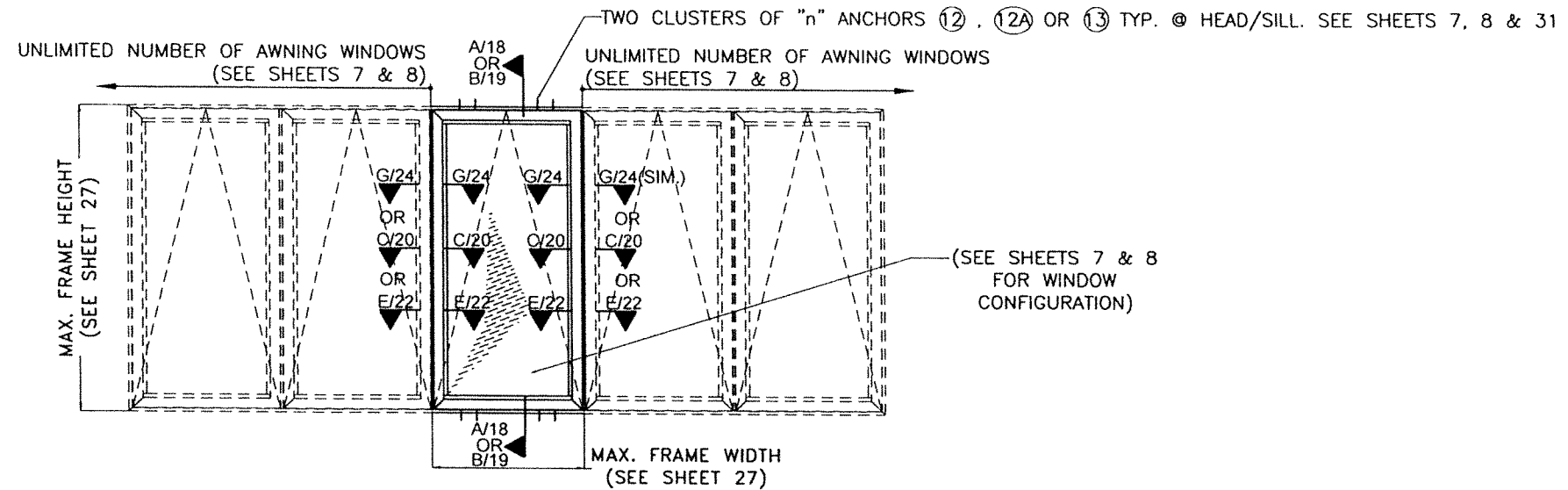
FLORIDA BUILDING CODE (HIGH & NON HIGH VELOCITY HURRICANE ZONE)

©2023 TILTECO, INC.  
**TILTECO INC.**  
TILLIT TESTING & ENGINEERING COMPANY  
6355 N.W. 36th St., Ste. 305, VIRGINIA GARDENS, FL 33166  
Phone : (305)871-1530 . Fax : (305)871-1531  
CA-0006719  
WALTER A. TILLIT Jr. P.E.  
FLORIDA Lic. # 44167

**SERIES VPF 8000 ALUMINUM  
AWNING WINDOW-LMI**  
290 WEST 78 ROAD  
HIALEAH, FL 33014  
PH: (954)226-5555/(305)558-8103  
FAX: (305)558-6665  
www.gigwindows.com

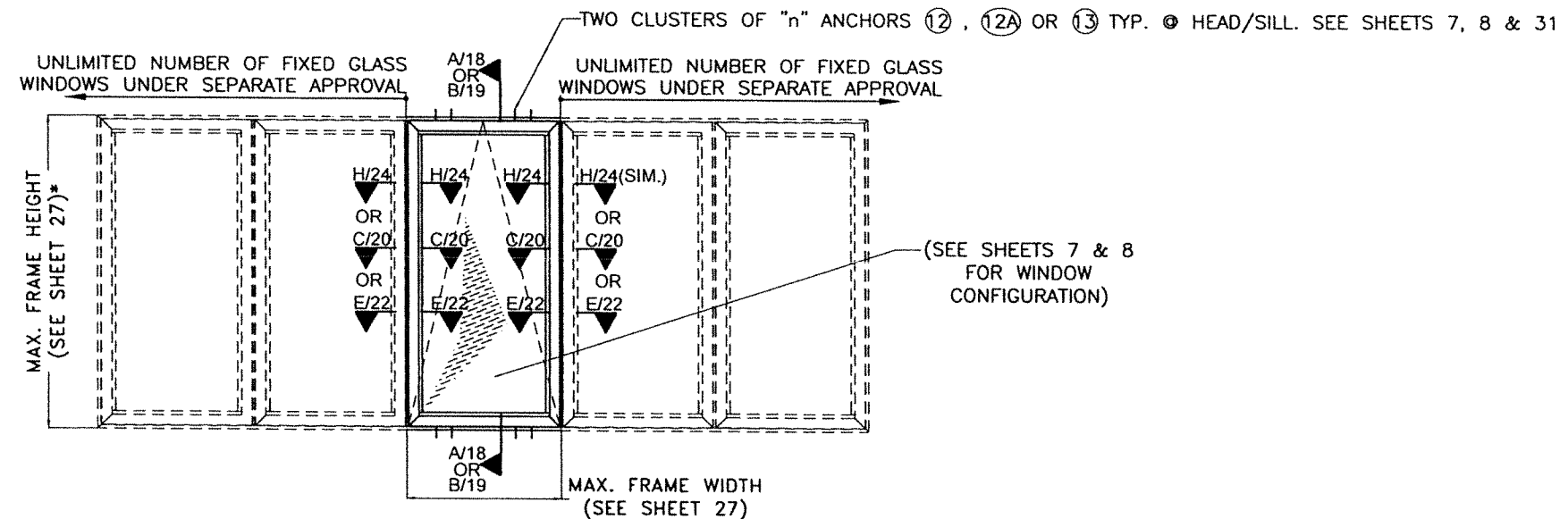
W.H  
DRAWN BY:  
09/12/2023  
DATE:  
**23-211**  
DRAWING No.  
SHEET 9 OF 34

REV. NO	DESCRIPTION	DATE	REV. No	DESCRIPTION	DATE
1	OLD 20-274	09/12/23	3		
2			4		



**QUALIFIED CONFIGURATIONS FOR VERTICALLY  
ORIENTED AWNING WINDOW W/ ACCOMPANYING  
VERTICALLY ORIENTED AWNING WINDOWS  
TYPICAL EXTERIOR ELEVATIONS**

SCALE 3/8"=1'-0"



**QUALIFIED CONFIGURATIONS FOR VERTICALLY ORIENTED AWNING WINDOW W/  
ACCOMPANYING VERTICALLY ORIENTED FIXED WINDOWS (UNDER SEPARATE NOA)  
TYPICAL EXTERIOR ELEVATION**

SCALE 3/8"=1'-0"

\* MAX. FRAME HEIGHT & FRAME WIDTH OF ACCOMPANYING FIXED WINDOW SHALL BE AS PER SEPARATE APPROVAL AND THE SHORTEST FRAME HEIGHT OF EITHER WINDOW TYPE SHALL BE USED.

WALTER A. TILLIT JR.  
 LICENSE No. 44167  
 STATE OF FLORIDA  
 PROFESSIONAL ENGINEER  
 P.E. SEAL/SIGNATURE/DATE

FLORIDA BUILDING CODE (HIGH & NON HIGH VELOCITY HURRICANE ZONE)

©2023 TILTECO, INC.



TILLIT TESTING & ENGINEERING COMPANY  
 6355 N.W. 36th St., Ste. 305, VIRGINIA GARDENS, FL 33166  
 Phone: (305)871-1530 Fax: (305)871-1531  
 CA-0006719  
 WALTER A. TILLIT Jr., P.E.  
 FLORIDA Lic. # 44167

**SERIES VPF 8000 ALUMINUM  
AWNING WINDOW-LMI**



290 WEST 78 ROAD  
 HIALEAH, FL 33014  
 PH: (954)226-5555/(305)558-8103  
 FAX: (305)558-6665  
 www.gigwindows.com

W.H  
DRAWN BY:

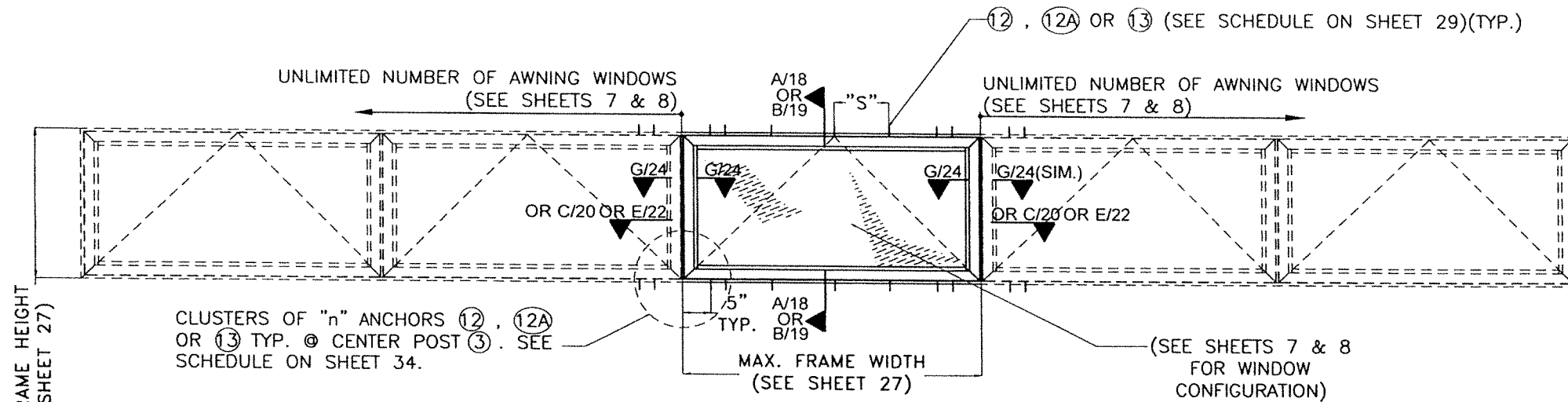
09/12/2023  
DATE:

**23-211**

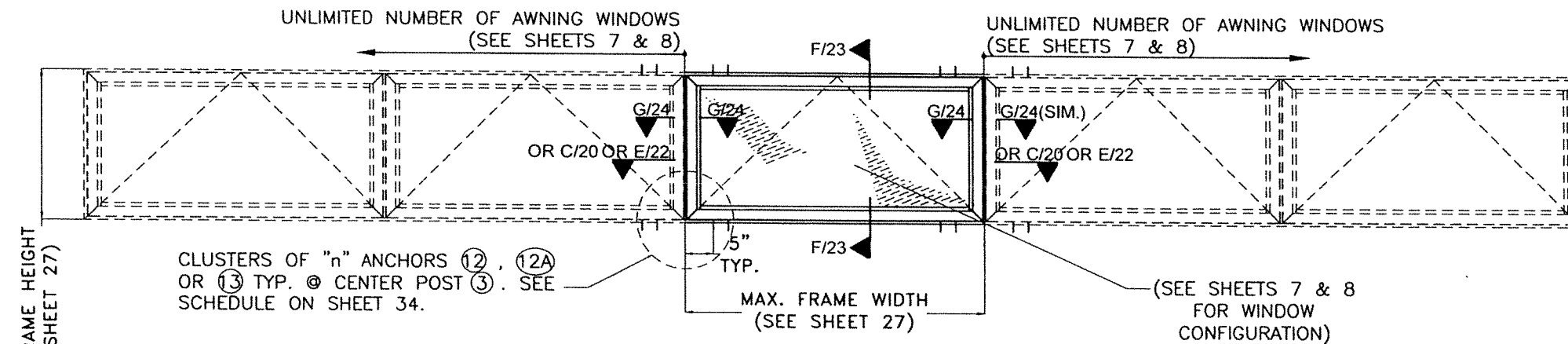
DRAWING No.

REV. NO	DESCRIPTION	DATE	REV. No	DESCRIPTION	DATE
1	OLD 20-274	09/12/23	3		
2			4		

SHEET 10 OF 34



**QUALIFIED CONFIGURATIONS FOR HORIZONTALLY ORIENTED AWNING WINDOW W/  
ATTACHED HEAD & SILL W/ ACCOMPANYING HORIZONTALLY ORIENTED AWNING WINDOWS**  
**TYPICAL EXTERIOR ELEVATIONS**  
 SCALE 3/8"=1'-0"




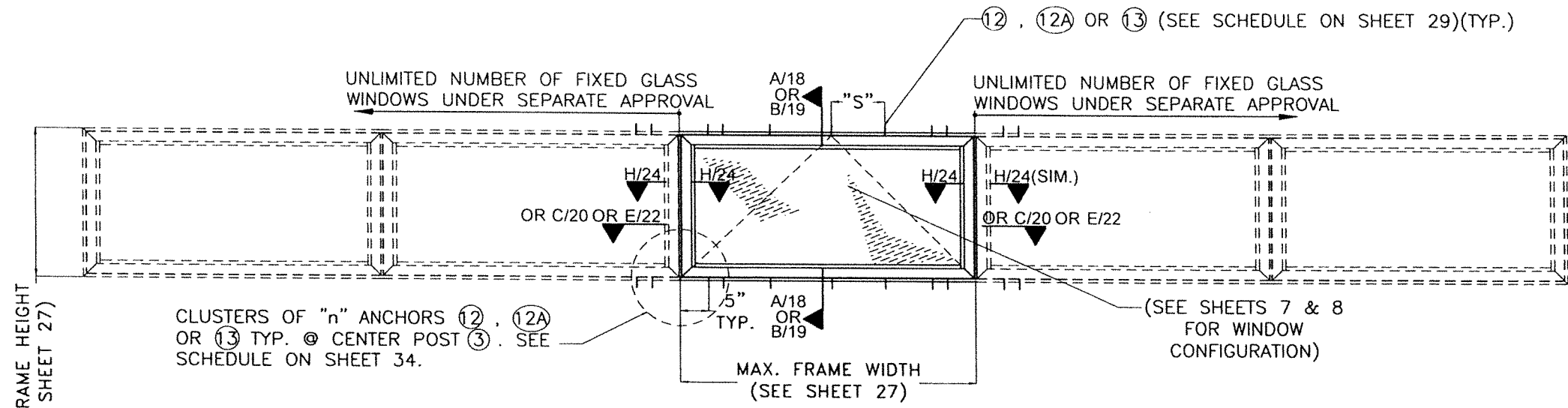
**QUALIFIED CONFIGURATIONS FOR HORIZONTALLY ORIENTED AWNING WINDOW W/ NOT  
ATTACHED HEAD & SILL W/ ACCOMPANYING HORIZONTALLY ORIENTED AWNING WINDOWS**  
**TYPICAL EXTERIOR ELEVATIONS**  
 SCALE 3/8"=1'-0"

WALTER A. TILLIT JR.  
 LICENSE  
 No. 44167  
 STATE OF FLORIDA  
 PROFESSIONAL ENGINEER  
 1/9/2023  
 P.E. SEAL/SIGNATURE/DATE

FLORIDA BUILDING CODE (HIGH & NON HIGH VELOCITY HURRICANE ZONE)

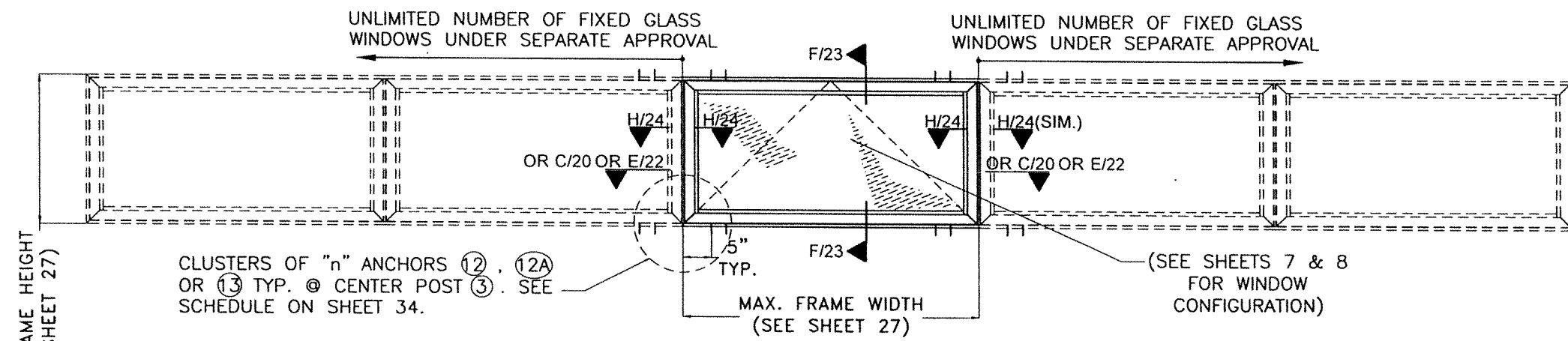
©2023 TILTECO, INC.  
**TILTECO INC.**  
 TILLIT TESTING & ENGINEERING COMPANY  
 6355 N.W. 36th. St., Ste. 305, VIRGINIA GARDENS, FL. 33166  
 Phone : (305)871-1530 . Fax : (305)871-1531  
 CA-0006719  
 WALTER A. TILLIT Jr. P.E.  
 FLORIDA Lic. # 44167

<b>SERIES VPF 8000 ALUMINUM AWNING WINDOW-LMI</b>		W.H DRAWN BY:
 290 WEST 78 ROAD HIALEAH, FL. 33014 PH: (954)226-5555/(305)558-8103 FAX: (305)558-6665 www.gigwindows.com		09/12/2023 DATE:
		<b>23-211</b> DRAWING No.
REV. NO	DESCRIPTION	DATE
1	OLD 20-274	09/12/23
2		



**QUALIFIED CONFIGURATIONS FOR HORIZONTALLY ORIENTED AWNING WINDOW  
W/ ATTACHED HEAD & SILL W/ ACCOMPANYING HORIZONTALLY ORIENTED  
FIXED WINDOWS (UNDER SEPARATE NOA)  
TYPICAL EXTERIOR ELEVATIONS**

SCALE 3/8"=1'-0"

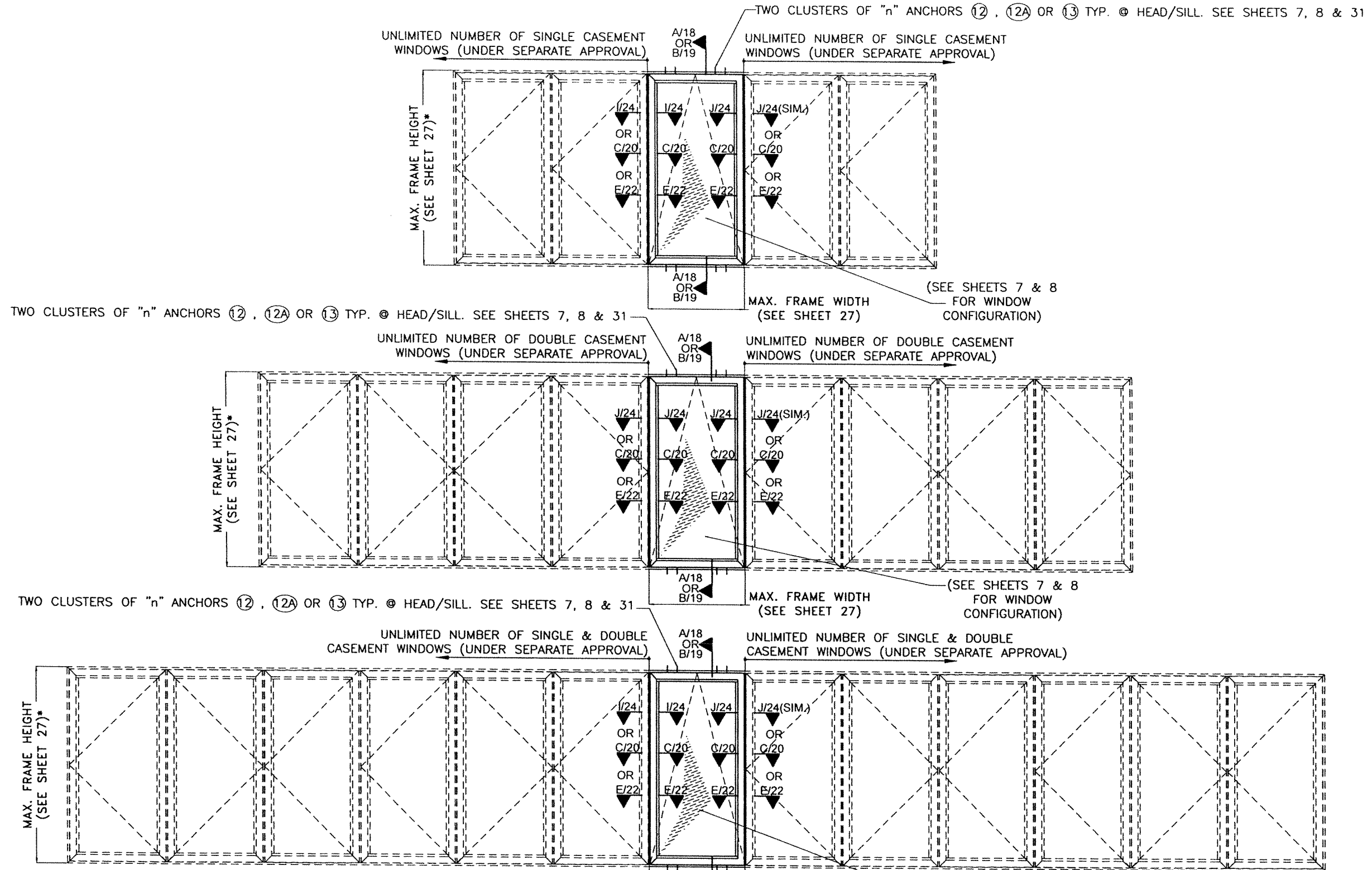


**QUALIFIED CONFIGURATIONS FOR HORIZONTALLY ORIENTED AWNING WINDOW  
W/ NOT ATTACHED HEAD & SILL W/ ACCOMPANYING HORIZONTALLY ORIENTED  
FIXED WINDOWS (UNDER SEPARATE NOA)  
TYPICAL EXTERIOR ELEVATIONS**

SCALE 3/8"=1'-0"

WALTER A. TILLIT JR.  
 LICENSE No. 44167  
 STATE OF FLORIDA  
 PROFESSIONAL ENGINEER  
 09/12/2023  
 P.E. SEAL/SIGNATURE/DATE

FLORIDA BUILDING CODE (HIGH & NON HIGH VELOCITY HURRICANE ZONE)			
©2023 TILTECO, INC.		SERIES VPF 8000 ALUMINUM AWNING WINDOW-LMI	
 TILLIT TESTING & ENGINEERING COMPANY 6355 N.W. 36th St., Ste. 305, VIRGINIA GARDENS, FL 33166 Phone : (305)871-1530 . Fax : (305)871-1531 CA-0006719 WALTER A. TILLIT Jr. P.E. FLORIDA Lic. # 44167		290 WEST 78 ROAD HIALEAH, FL 33014 PH: (954)226-5555/(305)558-8103 FAX: (305)558-6665 www.gigwindows.com	
		W.H. DRAWN BY: 09/12/2023 DATE: <b>23-211</b> DRAWING No.	
REV. NO	DESCRIPTION	DATE	REV. No
1	OLD 20-274	09/12/23	3
2			4



**QUALIFIED CONFIGURATIONS FOR VERTICALLY ORIENTED AWNING WINDOW W/ ACCOMPANYING SINGLE, DOUBLE OR COMBINATION OF SINGLE AND DOUBLE CASEMENT WINDOWS (UNDER SEPARATE NOA) TYPICAL EXTERIOR ELEVATIONS**

SCALE 3/8"=1'-0"

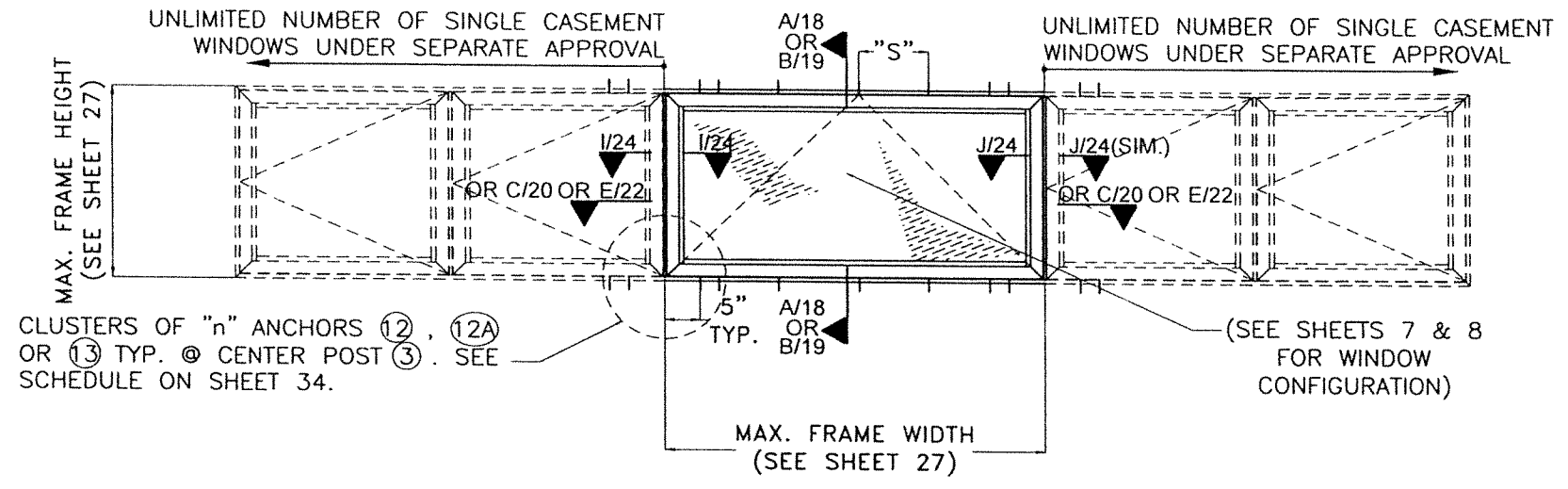
\* MAX. FRAME HEIGHT & FRAME WIDTH OF ACCOMPANYING CASEMENT WINDOWS SHALL BE AS PER SEPARATE APPROVAL AND THE SHORTEST FRAME HEIGHT OF EITHER WINDOW TYPE SHALL BE USED.

WALTER A. TILLIT JR.  
 LICENSE No. 44167  
 STATE OF FLORIDA  
 PROFESSIONAL ENGINEER  
 P.E. SEAL/SIGNATURE/DATE

FLORIDA BUILDING CODE (HIGH & NON HIGH VELOCITY HURRICANE ZONE)

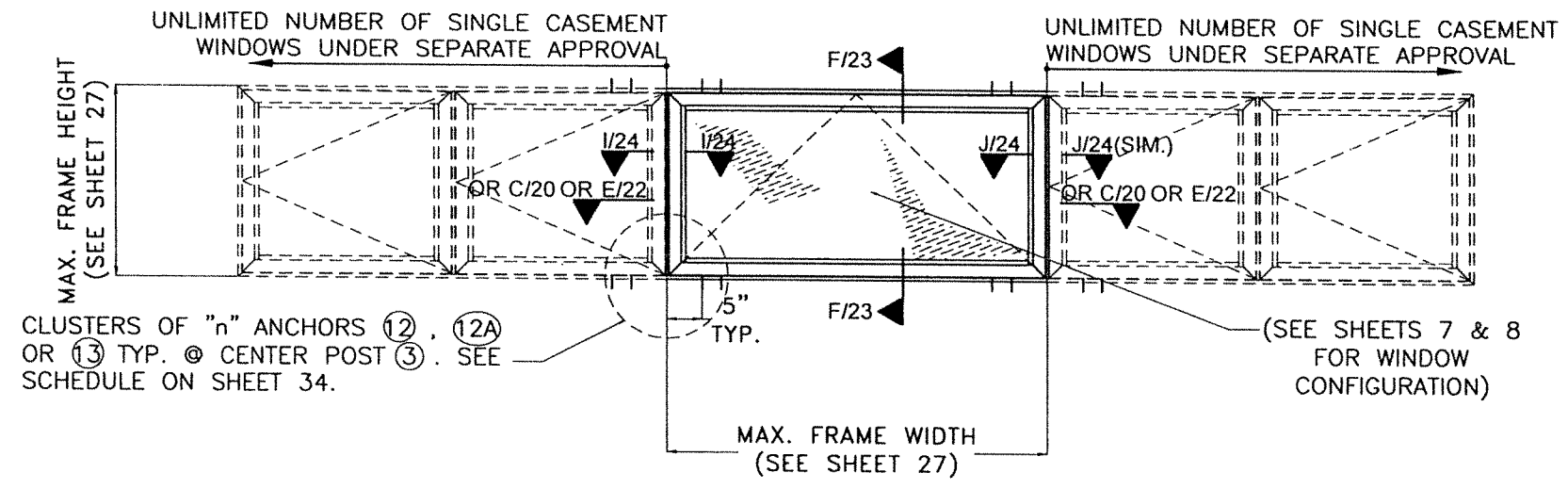
©2023 TILTECO, INC.  
**TILTECO INC.**  
 TILLIT TESTING & ENGINEERING COMPANY  
 6355 N.W. 36th St., Ste. 305, VIRGINIA GARDENS, FL 33166  
 Phone : (305)871-1530 . Fax : (305)871-1531  
 CA-0006719  
 WALTER A. TILLIT Jr. P.E.  
 FLORIDA Lic. # 44167

<b>SERIES VPF 8000 ALUMINUM AWNING WINDOW-LMI</b>		W.H DRAWN BY:
290 WEST 78 ROAD HIALEAH, FL 33014 PH: (954)226-5555/(305)558-8103 FAX: (305)558-6665 www.gigwindows.com		09/12/2023 DATE:
<b>23-211</b>		DRAWING No.
REV. NO	DESCRIPTION	DATE
1	OLD 20-274	09/12/23
2		



**QUALIFIED CONFIGURATIONS FOR HORIZONTALLY ORIENTED AWNING WINDOW W/ ATTACHED HEAD & SILL W/ ACCOMPANYING SINGLE CASEMENT WINDOWS (UNDER SEPARATE APPROVAL)**  
**TYPICAL EXTERIOR ELEVATIONS**

SCALE 3/8"=1'-0"

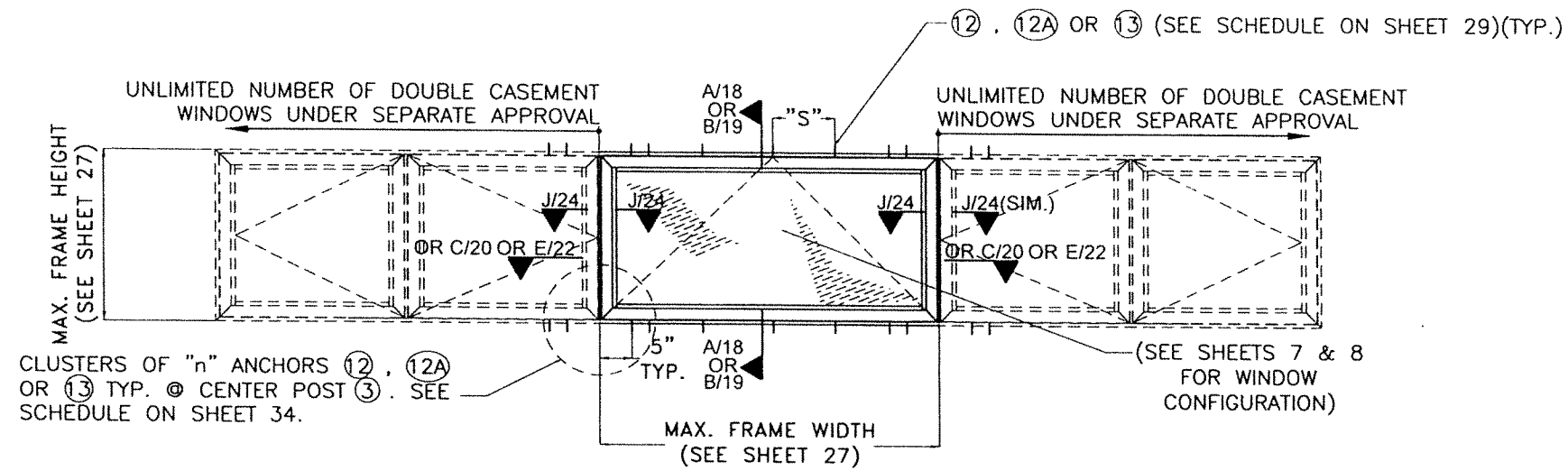


**QUALIFIED CONFIGURATIONS FOR HORIZONTALLY ORIENTED AWNING WINDOW W/ NOT ATTACHED HEAD & SILL W/ ACCOMPANYING SINGLE CASEMENT WINDOWS (UNDER SEPARATE APPROVAL)**  
**TYPICAL EXTERIOR ELEVATIONS**

SCALE 3/8"=1'-0"

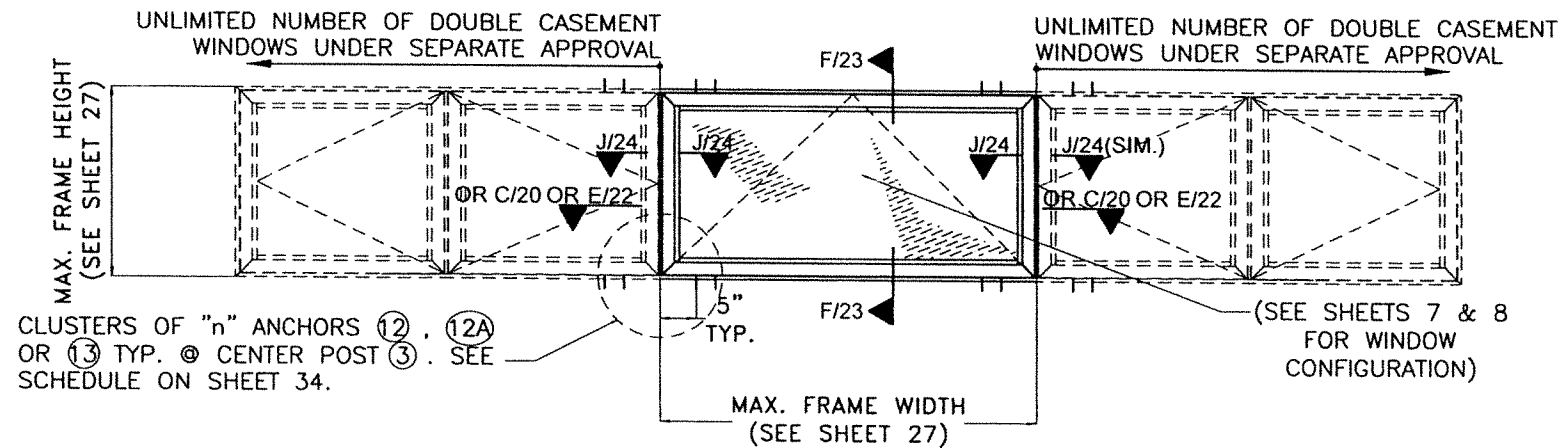
WALTER A. TILLIT JR.  
 LICENSE  
 No. 44167  
 STATE OF FLORIDA  
 PROFESSIONAL ENGINEER  
 P.E. SEAL/SIGNATURE/DATE

FLORIDA BUILDING CODE (HIGH & NON HIGH VELOCITY HURRICANE ZONE)			
©2023 TILTECO, INC.		SERIES VPF 8000 ALUMINUM AWNING WINDOW-LMI	
 <b>TILTECO INC.</b> TILLIT TESTING & ENGINEERING COMPANY 6355 N.W. 36th. St., Ste. 305, VIRGINIA GARDENS, FL 33166 Phone : (305)871-1530 . Fax : (305)871-1531 CA-0006719 WALTER A. TILLIT Jr. P.E. FLORIDA Lic. # 44167		W.H. DRAWN BY: 09/12/2023 DATE: <b>23-211</b> DRAWING No.	
		290 WEST 78 ROAD HIALEAH, FL 33014 PH: (954)226-5555/(305)558-8103 FAX: (305)558-6665 www.gigwindows.com	
REV. NO	DESCRIPTION	DATE	REV. No
1	OLD 20-274	09/12/23	3
2			4



**QUALIFIED CONFIGURATIONS FOR HORIZONTALLY ORIENTED AWNING WINDOW W/ ATTACHED HEAD & SILL W/ ACCOMPANYING DOUBLE CASEMENT WINDOWS (UNDER SEPARATE APPROVAL)**  
**TYPICAL EXTERIOR ELEVATIONS**

SCALE 3/8"=1'-0"



**QUALIFIED CONFIGURATIONS FOR HORIZONTALLY ORIENTED AWNING WINDOW W/ NOT ATTACHED HEAD & SILL W/ ACCOMPANYING DOUBLE CASEMENT WINDOWS (UNDER SEPARATE APPROVAL)**  
**TYPICAL EXTERIOR ELEVATIONS**

SCALE 3/8"=1'-0"  
 PROFESSIONAL ENGINEER  
 STATE OF FLORIDA  
 No. 44167  
 WALTER A. TILLIT Jr.  
 9/2023  
 P.E. SEAL/SIGNATURE/DATE

FLORIDA BUILDING CODE (HIGH & NON HIGH VELOCITY HURRICANE ZONE)

©2023 TILTECO, INC.



TILLIT TESTING & ENGINEERING COMPANY  
 6355 N.W. 36th St., Ste. 305, VIRGINIA GARDENS, FL 33166  
 Phone: (305)871-1530 Fax: (305)871-1531  
 CA-0006719  
 WALTER A. TILLIT Jr. P.E.  
 FLORIDA Lic. # 44167

**SERIES VPF 8000 ALUMINUM AWNING WINDOW-LMI**



290 WEST 78 ROAD  
 HIALEAH, FL 33014  
 PH: (954)226-5555/(305)558-8103  
 FAX: (305)558-6665  
 www.gigwindows.com

W.H  
 DRAWN BY:

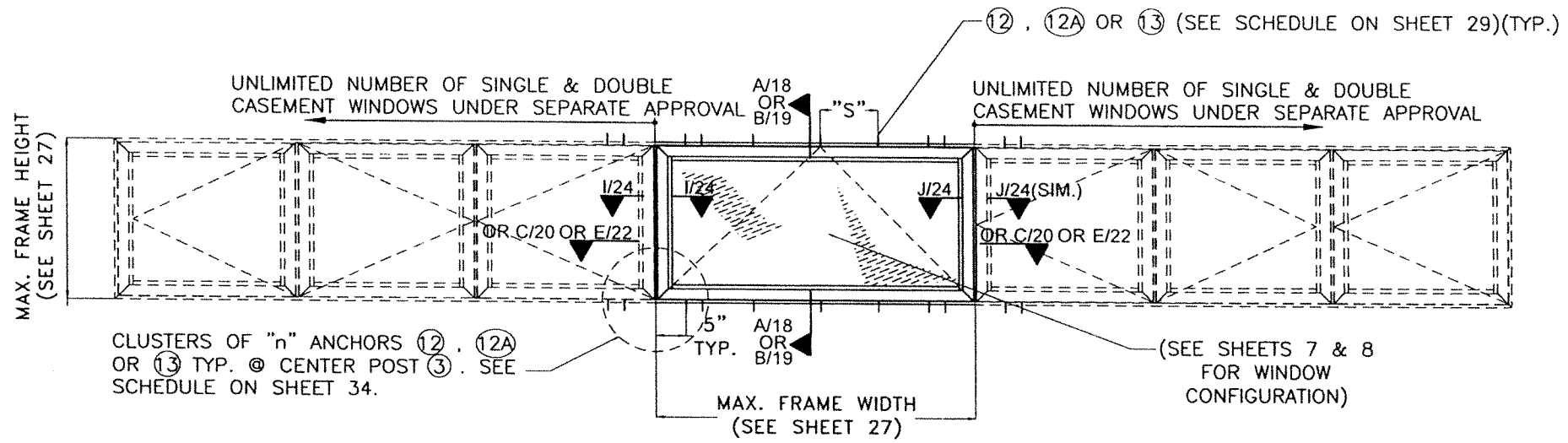
09/12/2023  
 DATE:

**23-211**

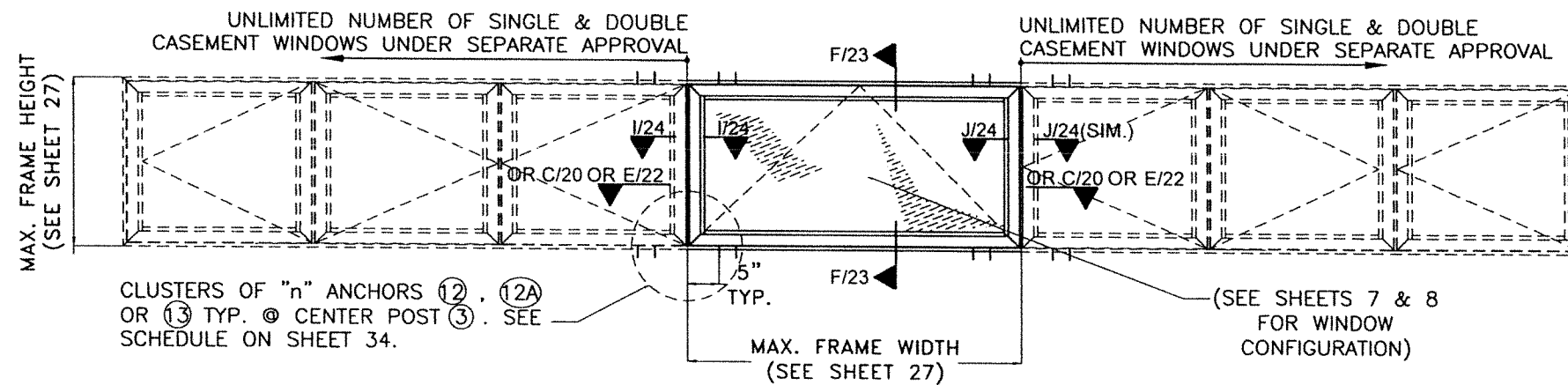
DRAWING No.

REV. NO	DESCRIPTION	DATE	REV. No	DESCRIPTION	DATE
1	OLD 20-274	09/12/23	3		
2			4		

SHEET 15 OF 34



**QUALIFIED CONFIGURATIONS FOR HORIZONTALLY ORIENTED AWNING WINDOW W/ ATTACHED HEAD & SILL W/ ACCOMPANYING SINGLE & DOUBLE CASEMENT WINDOWS (UNDER SEPARATE APPROVAL)**  
**TYPICAL EXTERIOR ELEVATIONS**  
 SCALE 3/8"=1'-0"



**QUALIFIED CONFIGURATIONS FOR HORIZONTALLY ORIENTED AWNING WINDOW W/ NOT ATTACHED HEAD & SILL W/ ACCOMPANYING SINGLE & DOUBLE CASEMENT WINDOWS (UNDER SEPARATE APPROVAL)**  
**TYPICAL EXTERIOR ELEVATIONS**  
 SCALE 3/8"=1'-0"

LICENSE  
 No. 44167  
 STATE OF  
 FLORIDA  
 PROFESSIONAL ENGINEER  
 09/12/2023  
 P.E. SEAL/SIGNATURE/DATE

FLORIDA BUILDING CODE (HIGH & NON HIGH VELOCITY HURRICANE ZONE)

©2023 TILTECO, INC.



TILLIT TESTING & ENGINEERING COMPANY  
 6355 N.W. 36th St., Ste. 305, VIRGINIA GARDENS, FL 33166  
 Phone : (305)871-1530 . Fax : (305)871-1531  
 CA-0006719  
 WALTER A. TILLIT Jr., P.E.  
 FLORIDA Lic. # 44167

**SERIES VPF 8000 ALUMINUM  
 AWNING WINDOW-LMI**



290 WEST 78 ROAD  
 HIALEAH, FL 33014  
 PH: (954)226-5555/(305)558-8103  
 FAX: (305)558-6665  
 www.gigwindows.com

W.H  
 DRAWN BY:

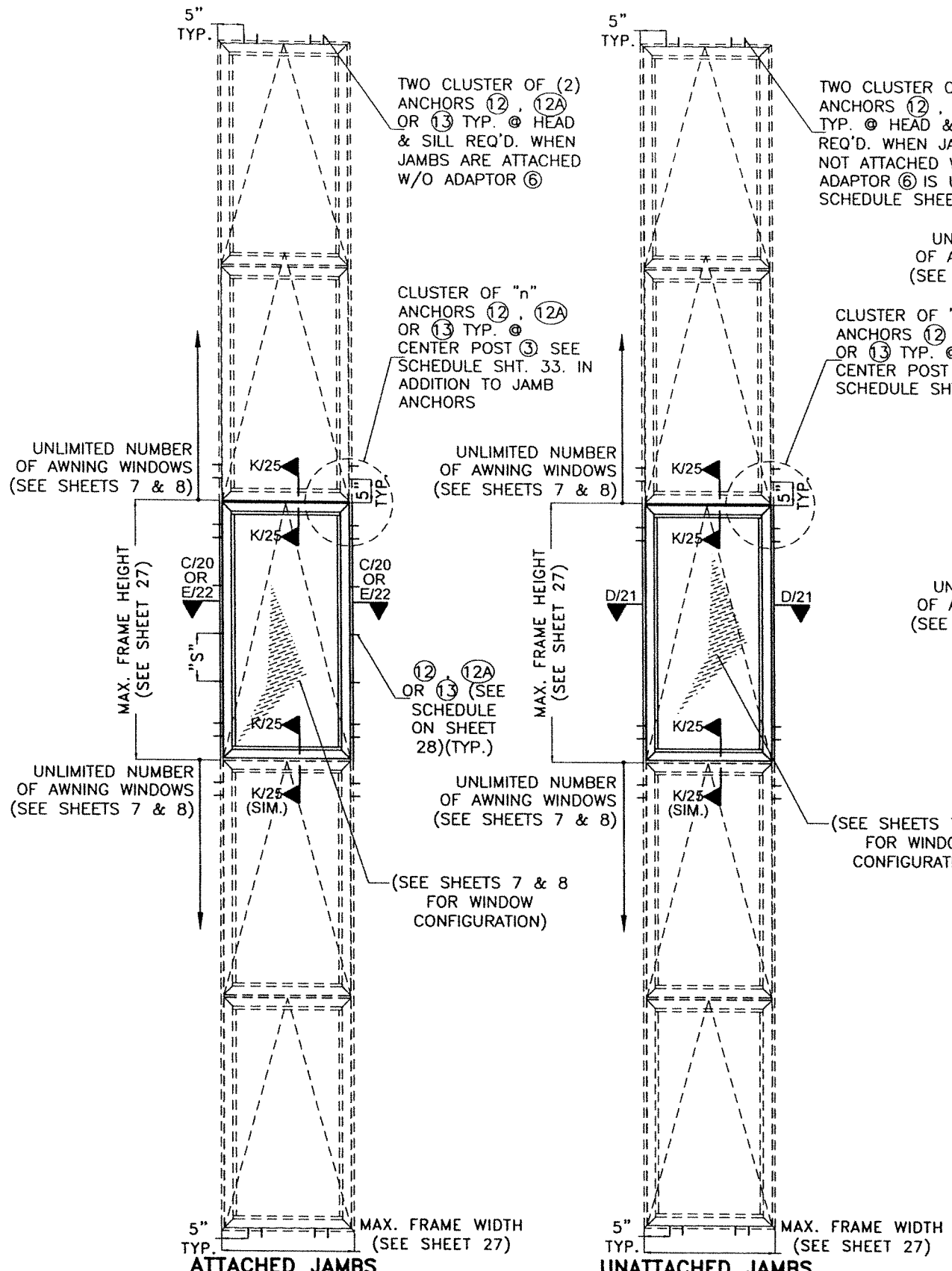
09/12/2023  
 DATE:

**23-211**

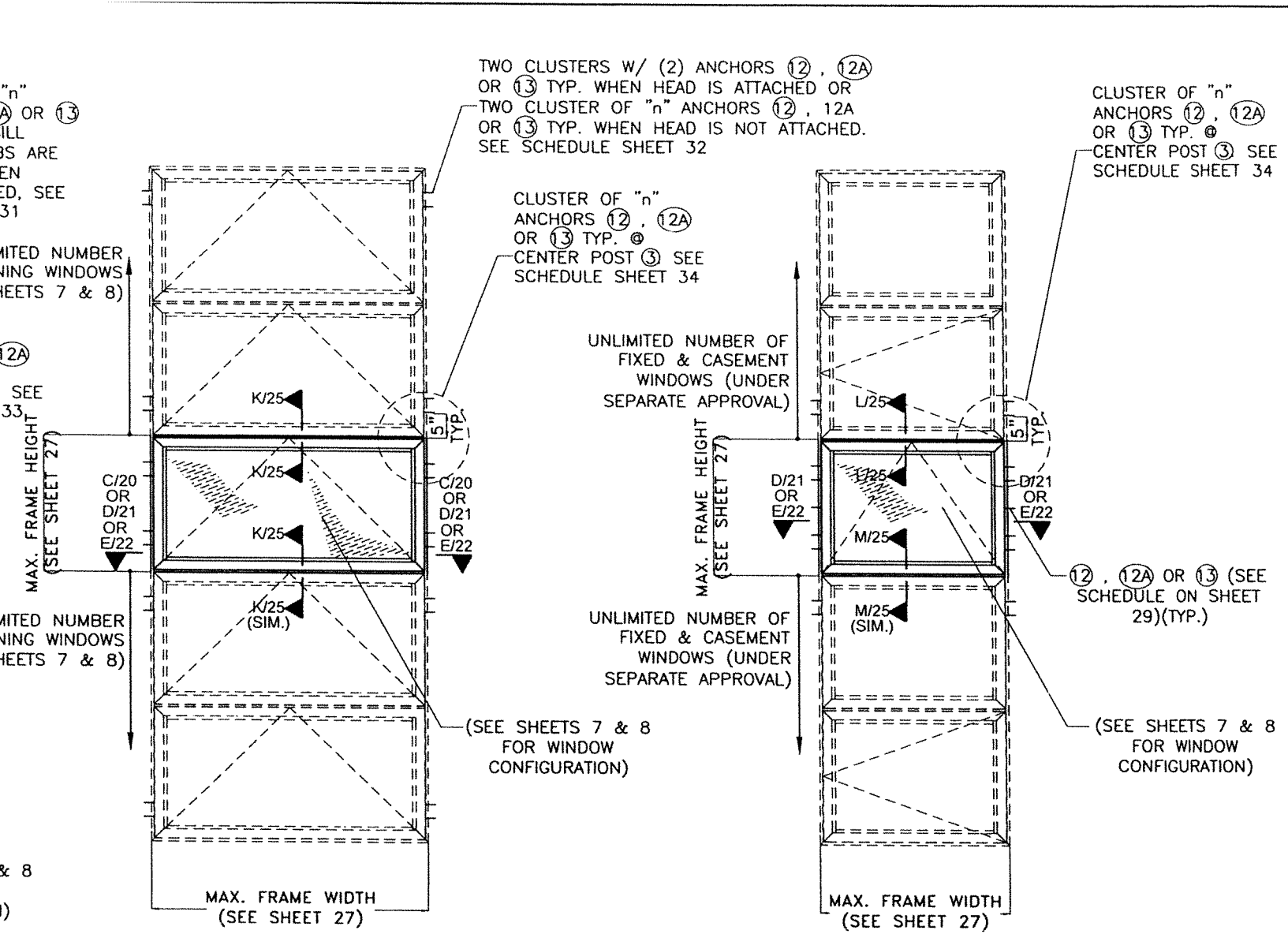
DRAWING No.

REV. NO	DESCRIPTION	DATE	REV. No	DESCRIPTION	DATE
1	OLD 20-274	09/12/23	3		
2			4		

SHEET 16 OF 34



**QUALIFIED CONFIGURATIONS FOR VERTICALLY ORIENTED AWNING WINDOW W/ COMBINATION OF VERTICAL ACCOMPANYING VERTICALLY ORIENTED AWNING WINDOWS**  
**TYPICAL EXTERIOR ELEVATION**  
 SCALE 3/8"=1'-0"

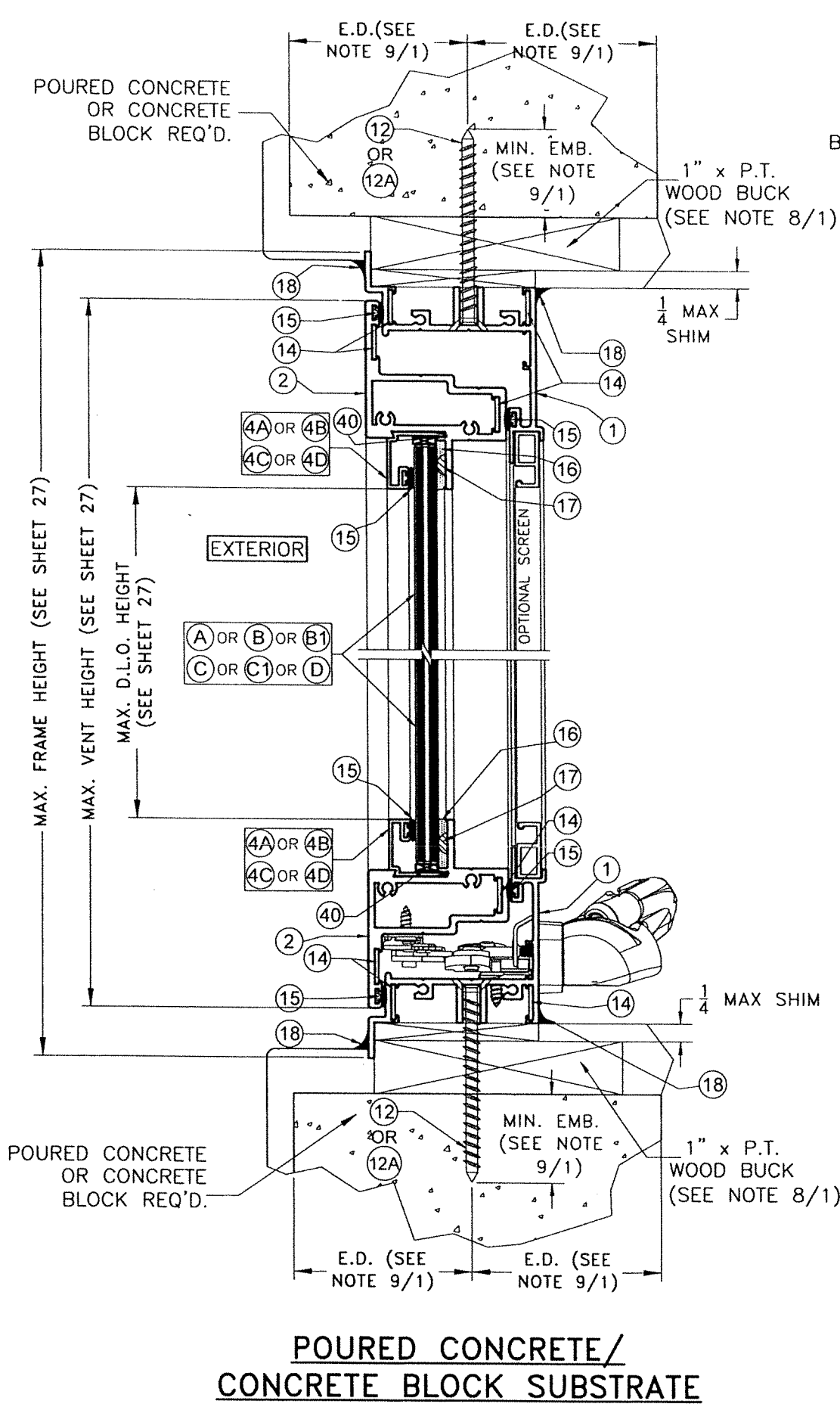


**QUALIFIED CONFIGURATIONS FOR HORIZONTALLY ORIENTED AWNING WINDOW W/ COMBINATION OF VERTICAL ACCOMPANYING HORIZONTALLY ORIENTED AWNING WINDOWS**  
**TYPICAL EXTERIOR ELEVATION**  
 SCALE 3/8"=1'-0"

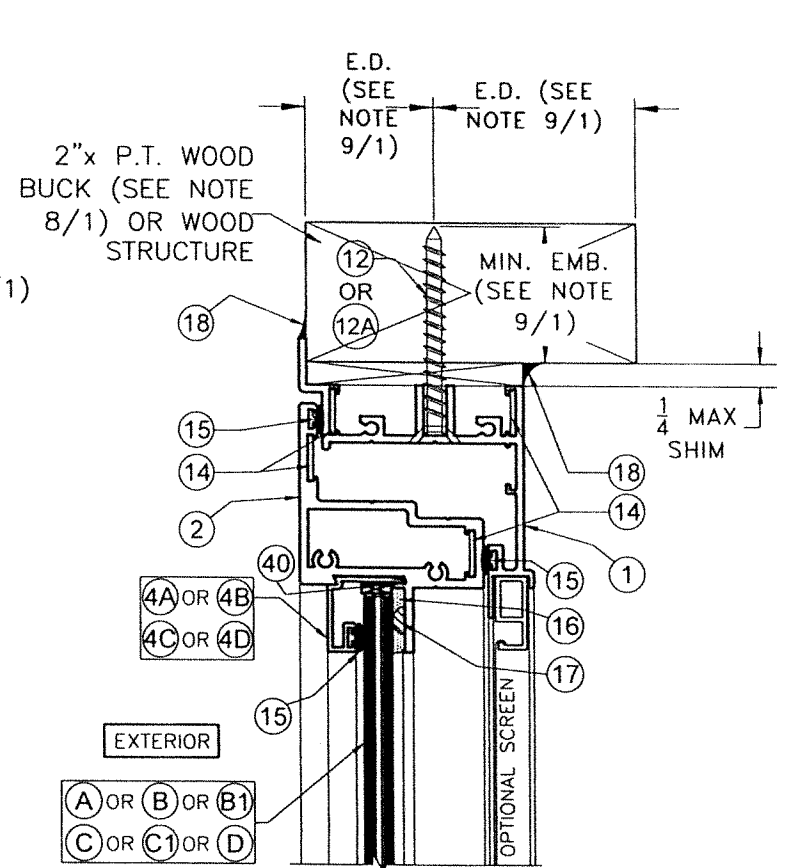
**QUALIFIED CONFIGURATIONS FOR HORIZONTALLY ORIENTED AWNING WINDOW W/ COMBINATION OF VERTICAL ACCOMPANYING FIXED & CASEMENT WINDOWS**  
**(UNDER SEPARATE NOA)**  
**TYPICAL EXTERIOR ELEVATION**  
 SCALE 3/8"=1'-0"

WALTER A. TILLIT JR.  
 LICENSE No. 44167  
 STATE OF FLORIDA  
 PROFESSIONAL ENGINEER  
 P.E. SEAL/SIGNATURE/DATE

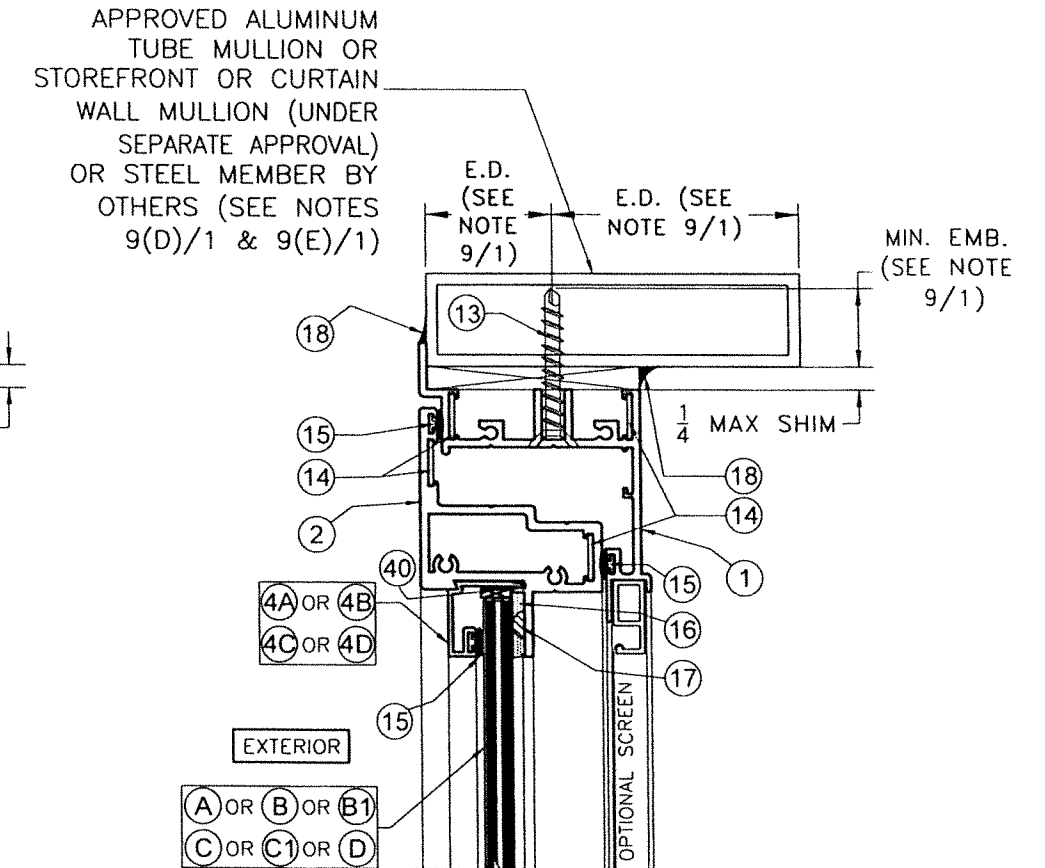
FLORIDA BUILDING CODE (HIGH & NON HIGH VELOCITY HURRICANE ZONE)		W.H. DRAWN BY:	
©2023 TILTECO, INC.		09/12/2023 DATE:	
<b>TILTECO INC.</b> TILLIT TESTING & ENGINEERING COMPANY 6355 N.W. 36th St., Ste. 305, VIRGINIA GARDENS, FL 33166 Phone: (305)871-1530 Fax: (305)871-1531 CA-0006719 WALTER A. TILLIT Jr. P.E. FLORIDA Lic. # 44167		<b>SERIES VPF 8000 ALUMINUM AWNING WINDOW-LMI</b> 290 WEST 78 ROAD HIALEAH, FL 33014 PH: (954)226-5555/(305)558-8103 FAX: (305)558-6665 www.gigwindows.com	
		<b>23-211</b> DRAWING No.	
REV. NO	DESCRIPTION	DATE	REV. No
1	OLD 20-274	09/12/23	3
2			4



**POURED CONCRETE/  
CONCRETE BLOCK SUBSTRATE**



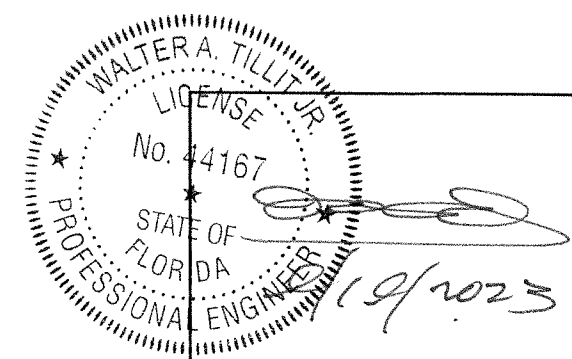
**WOOD  
SUBSTRATE**



**ALUMINUM MULLION OR  
STEEL MEMBER  
SUBSTRATE**

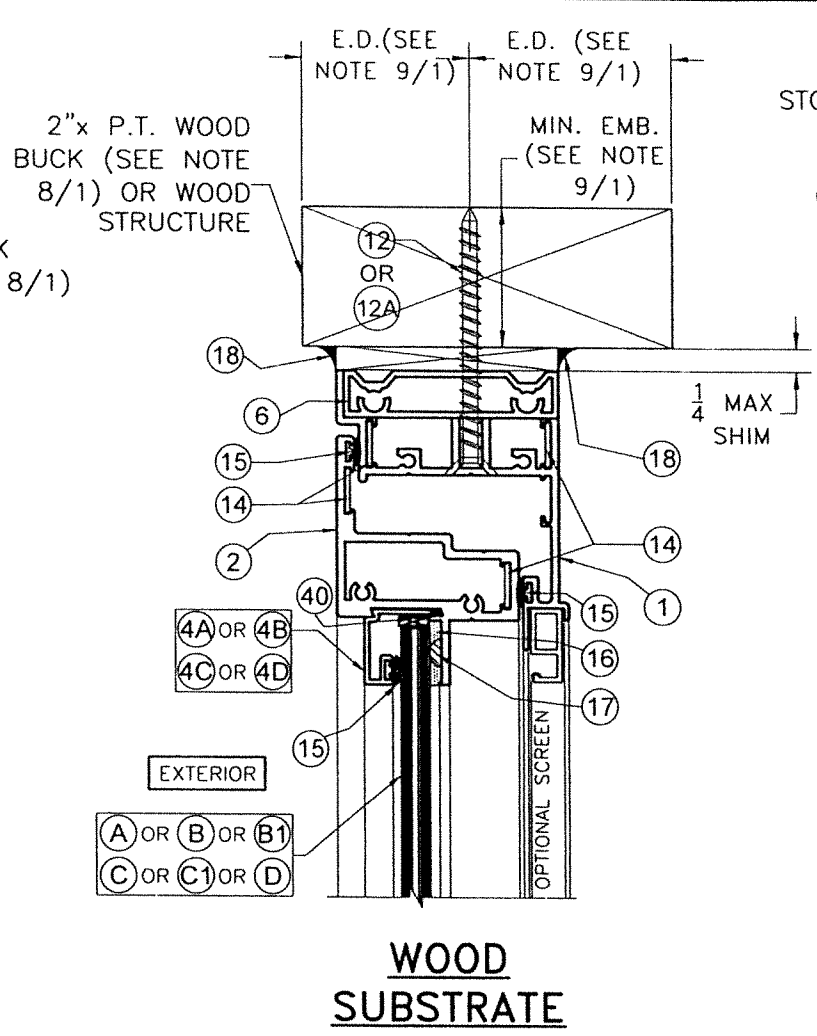
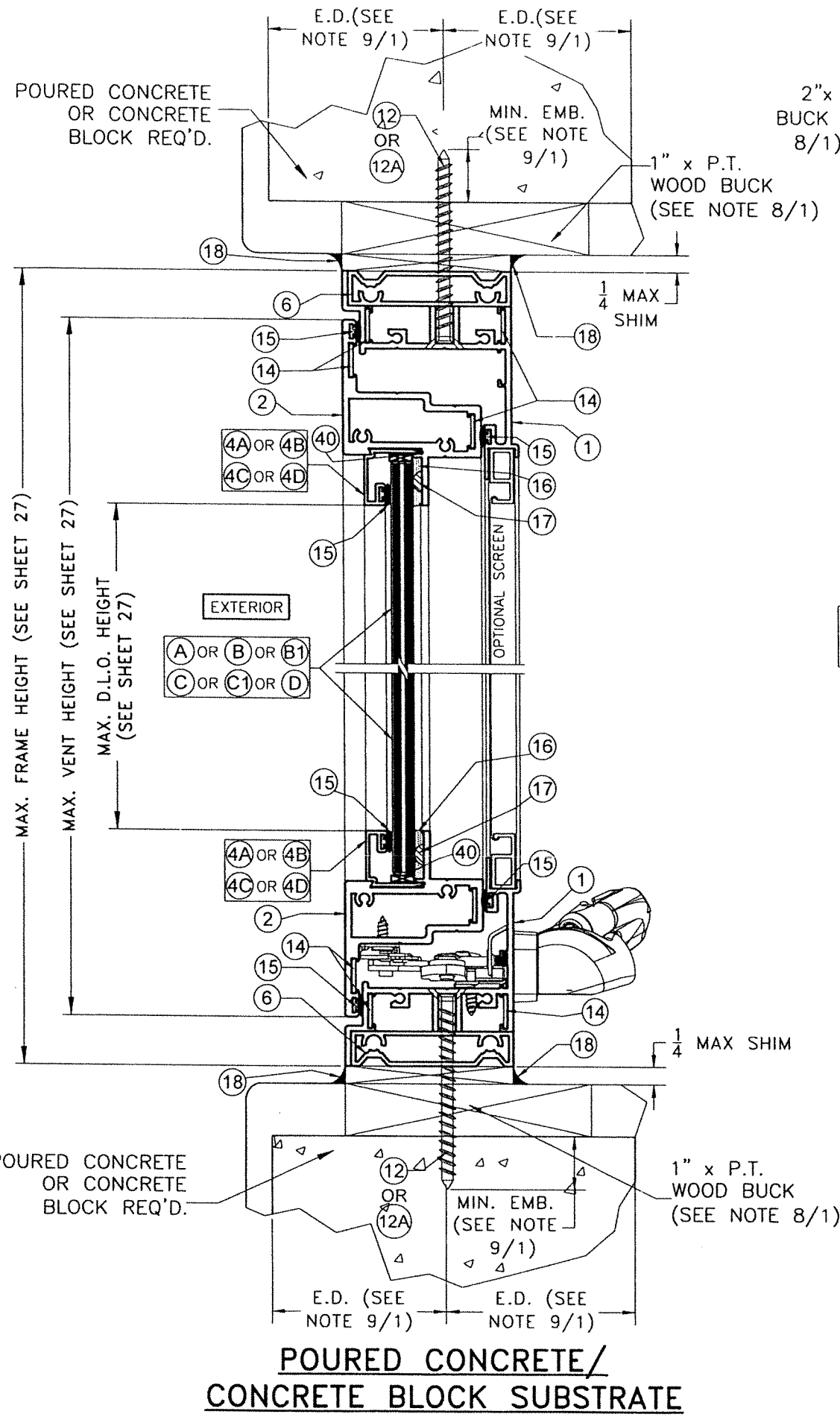
**SECTION A-A**  
SCALE 1/2"=1"

FOR HARDWARE SEE SHEETS 3 & 3A.

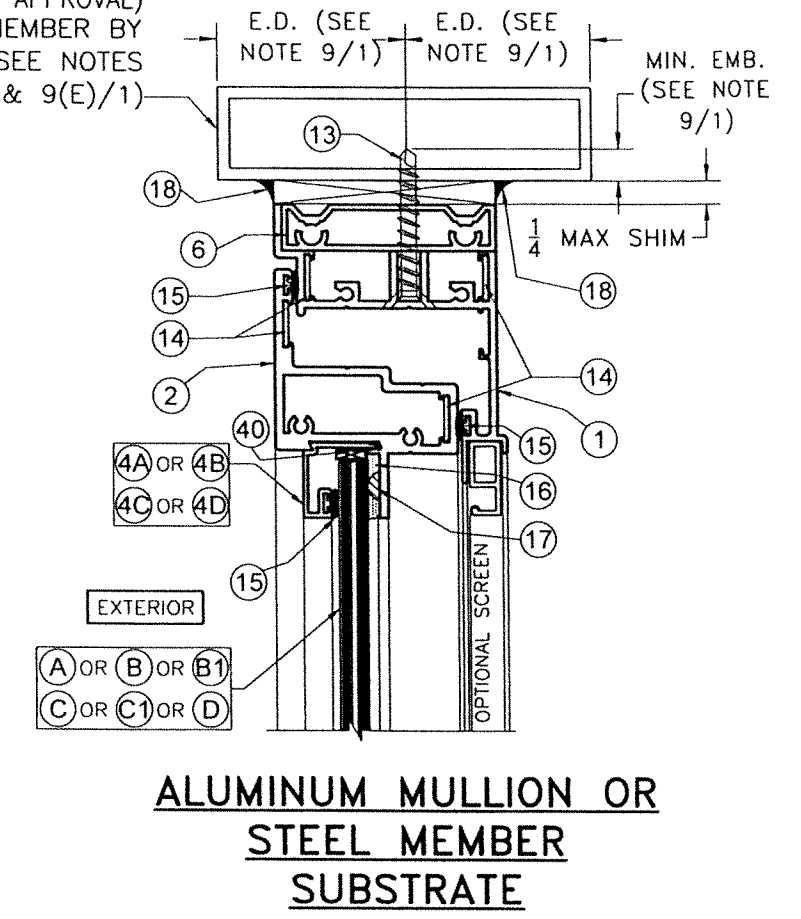


P.E. SEAL/SIGNATURE/DATE

FLORIDA BUILDING CODE (HIGH & NON HIGH VELOCITY HURRICANE ZONE) ©2023 TILTECO, INC.  TILLIT TESTING & ENGINEERING COMPANY 6355 N.W. 36th St., Ste. 305, VIRGINIA GARDENS, FL 33166 Phone: (305)871-1530 Fax: (305)871-1531 CA-0006719 WALTER A. TILLIT Jr. P.E. FLORIDA Lic. # 44167		SERIES VPF 8000 ALUMINUM AWNING WINDOW-LMI  290 WEST 78 ROAD HIALEAH, FL 33014 PH: (954)226-5555/(305)558-8103 FAX: (305)558-6665 www.gigwindows.com	W.H DRAWN BY: 09/12/2023 DATE: <b>23-211</b> DRAWING No.																		
<table border="1"> <thead> <tr> <th>REV. NO</th> <th>DESCRIPTION</th> <th>DATE</th> <th>REV. No</th> <th>DESCRIPTION</th> <th>DATE</th> </tr> </thead> <tbody> <tr> <td>1</td> <td>OLD 20-274</td> <td>09/12/23</td> <td>3</td> <td></td> <td></td> </tr> <tr> <td>2</td> <td></td> <td></td> <td>4</td> <td></td> <td></td> </tr> </tbody> </table>	REV. NO	DESCRIPTION	DATE	REV. No	DESCRIPTION	DATE	1	OLD 20-274	09/12/23	3			2			4			SHEET 18 OF 34		
REV. NO	DESCRIPTION	DATE	REV. No	DESCRIPTION	DATE																
1	OLD 20-274	09/12/23	3																		
2			4																		



APPROVED ALUMINUM TUBE MULLION OR STOREFRONT OR CURTAIN WALL MULLION (UNDER SEPARATE APPROVAL) OR STEEL MEMBER BY OTHERS (SEE NOTES 9(D)/1 & 9(E)/1)

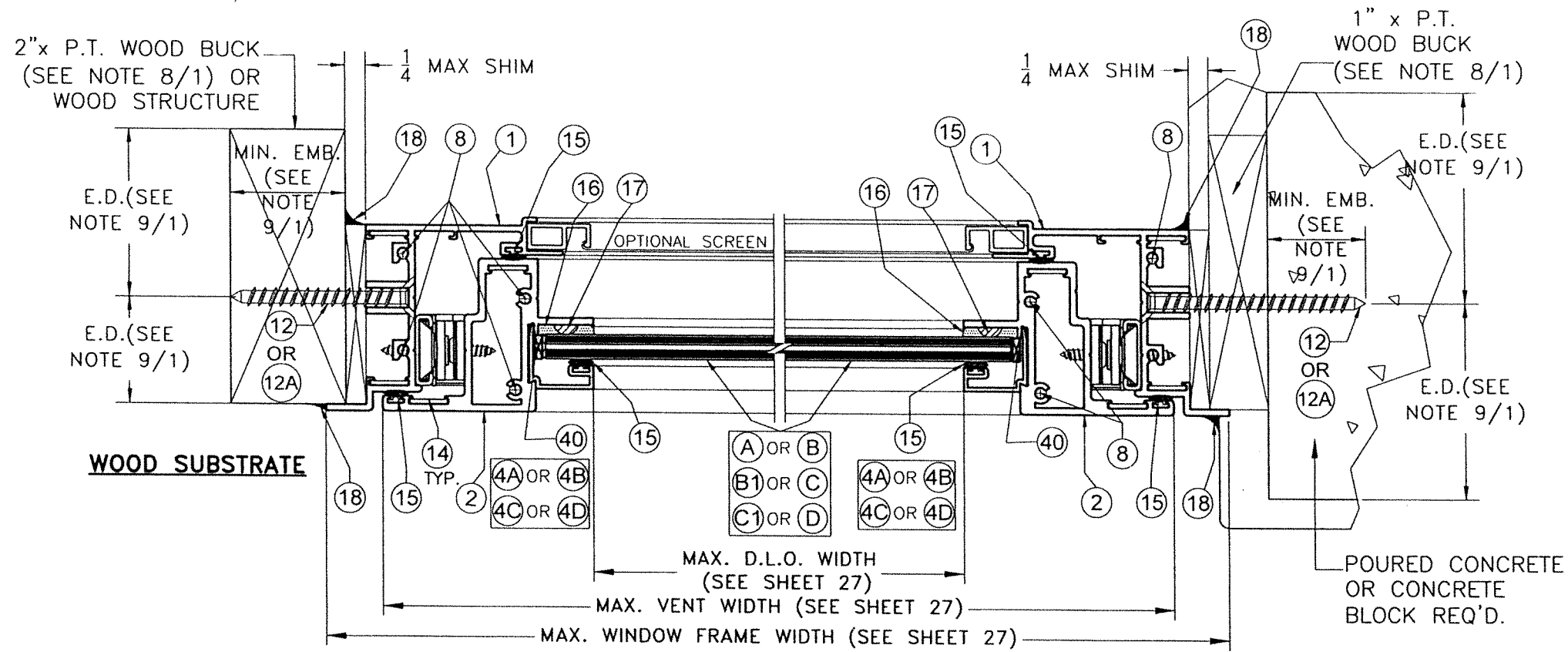


**SECTION B-B**  
SCALE 1/2"=1"

FOR HARDWARE SEE SHEETS 3 & 3A.

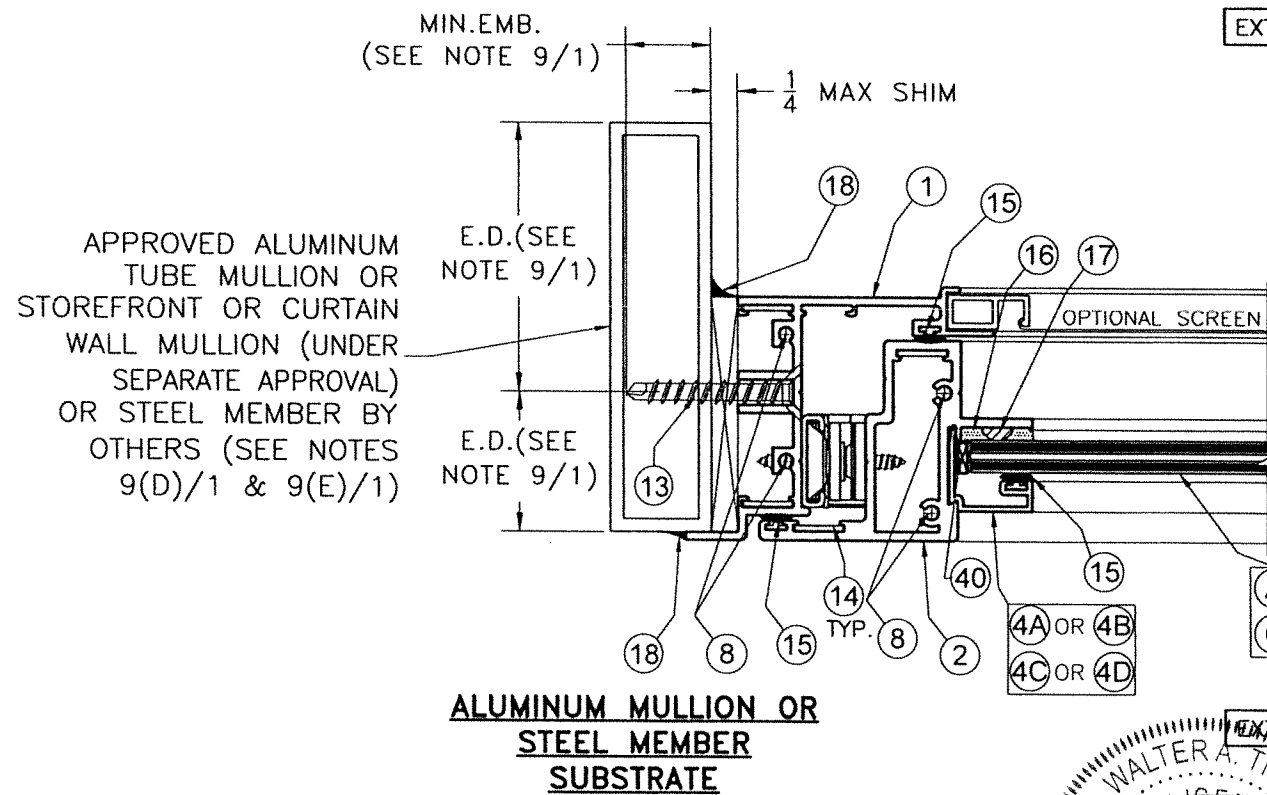
WALTER A. TILLIT JR.  
LICENSE  
No. 44167  
STATE OF FLORIDA  
PROFESSIONAL ENGINEER  
9/2023  
P.E. SEAL/SIGNATURE/DATE

FLORIDA BUILDING CODE (HIGH & NON HIGH VELOCITY HURRICANE ZONE)																							
©2023 TILTECO, INC.				W.H. DRAWN BY:																			
				09/12/2023																			
				DATE:																			
TILTECO inc. TILLIT TESTING & ENGINEERING COMPANY 6355 N.W. 36th St., Ste. 305, VIRGINIA GARDENS, FL 33166 Phone: (305)871-1530 • Fax: (305)871-1531 CA-0006719 WALTER A. TILLIT Jr., P.E. FLORIDA Lic. # 44167				SERIES VPF 8000 ALUMINUM AWNING WINDOW-LMI 																			
290 WEST 78 ROAD HIALEAH, FL 33014 PH: (954)226-5555/(305)558-8103 FAX: (305)558-6665 www.gigwindows.com				23-211																			
<table border="1"> <thead> <tr> <th>REV. No</th> <th>DESCRIPTION</th> <th>DATE</th> <th>REV. No</th> <th>DESCRIPTION</th> <th>DATE</th> </tr> </thead> <tbody> <tr> <td>1</td> <td>OLD 20-274</td> <td>09/12/23</td> <td>3</td> <td></td> <td></td> </tr> <tr> <td>2</td> <td></td> <td></td> <td>4</td> <td></td> <td></td> </tr> </tbody> </table>				REV. No	DESCRIPTION	DATE	REV. No	DESCRIPTION	DATE	1	OLD 20-274	09/12/23	3			2			4			DRAWING No.	
REV. No	DESCRIPTION	DATE	REV. No	DESCRIPTION	DATE																		
1	OLD 20-274	09/12/23	3																				
2			4																				
				SHEET 19 OF 34																			



**WOOD SUBSTRATE**

**POURED CONCRETE/  
CONCRETE BLOCK SUBSTRATE**



**ALUMINUM MULLION OR  
STEEL MEMBER  
SUBSTRATE**

# SECTION C-C

SCALE 1/2"=1"

FOR HARDWARE SEE SHEETS 3 & 3A.

WALTER A. TILLIT JR.  
LICENSE  
No. 44167  
STATE OF FLORIDA  
PROFESSIONAL ENGINEER  
9/2023  
P.E. SEAL/SIGNATURE/DATE

FLORIDA BUILDING CODE (HIGH & NON HIGH VELOCITY HURRICANE ZONE)

©2023 TILTECO, INC.



TILLIT TESTING & ENGINEERING COMPANY  
6355 N.W. 36th St., Ste. 305, VIRGINIA GARDENS, FL 33166  
Phone: (305)871-1530 • Fax: (305)871-1531  
CA-0006719  
WALTER A. TILLIT Jr. P.E.  
FLORIDA Lic. # 44167

**SERIES VPF 8000 ALUMINUM  
AWNING WINDOW-LMI**



290 WEST 78 ROAD  
HALEAH, FL 33014  
PH: (954)226-5555/(305)558-8103  
FAX: (305)558-6665  
www.gigwindows.com

W.H  
DRAWN BY:

09/12/2023  
DATE:

**23-211**

DRAWING No.

REV. NO	DESCRIPTION	DATE	REV. No	DESCRIPTION	DATE
1	OLD 20-274	09/12/23	3		
2			4		

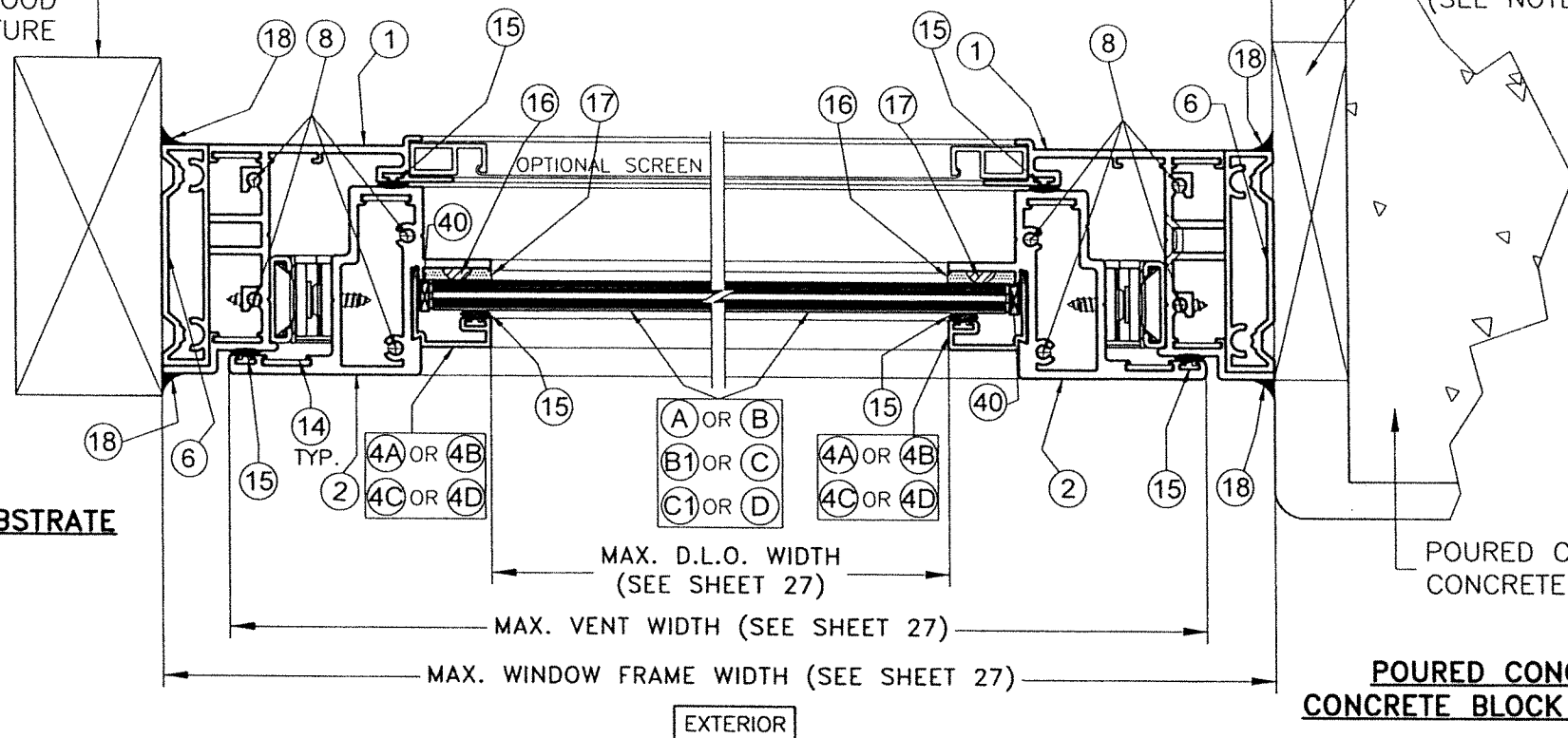
SHEET 20 OF 34

2" x P.T. WOOD  
BUCK (SEE NOTE  
8/1) OR WOOD  
STRUCTURE

1" x P.T.  
WOOD BUCK  
(SEE NOTE 8/1)

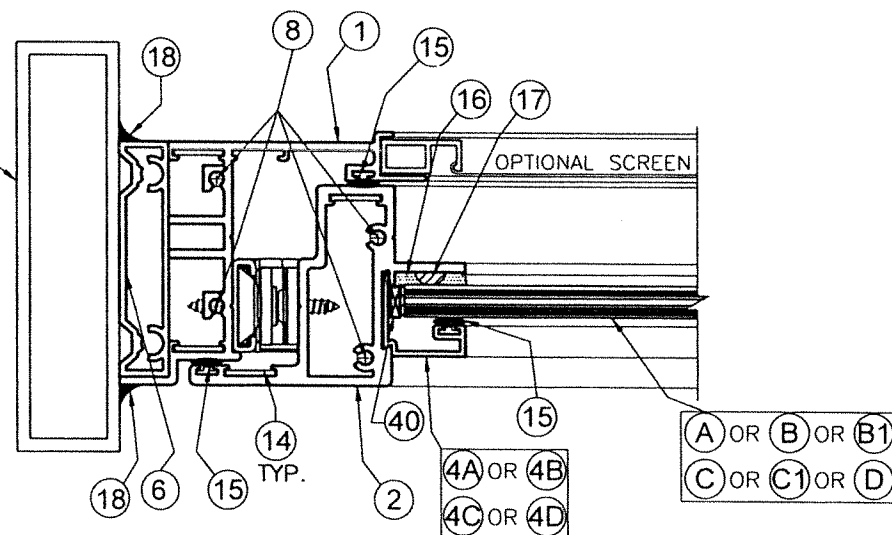
**WOOD SUBSTRATE**

**POURED CONCRETE/  
CONCRETE BLOCK SUBSTRATE**



APPROVED ALUMINUM  
TUBE MULLION OR  
STOREFRONT OR CURTAIN  
WALL MULLION (UNDER  
SEPARATE APPROVAL)  
OR STEEL MEMBER BY  
OTHERS (SEE NOTES  
9(D)/1 & 9(E)/1)

**ALUMINUM MULLION OR  
STEEL MEMBER  
SUBSTRATE**



**SECTION D-D**

SCALE 1/2"=1"

FOR HARDWARE SEE SHEETS 3 & 3A.

EXTERIOR  
WALTER A. TILLIT JR.  
LICENSE  
No. 44167  
STATE OF  
FLORIDA  
PROFESSIONAL ENGINEER  
12/2023

P.E. SEAL/SIGNATURE/DATE

FLORIDA BUILDING CODE (HIGH & NON HIGH VELOCITY HURRICANE ZONE)

©2023 TILTECO, INC.

**TILTECO INC.**

TILLIT TESTING & ENGINEERING COMPANY  
6355 N.W. 36th St., Ste. 305, VIRGINIA GARDENS, FL 33166  
Phone: (305)871-1530 Fax: (305)871-1531  
CA-0006719  
WALTER A. TILLIT Jr. P.E.  
FLORIDA Lic. # 44167

**SERIES VPF 8000 ALUMINUM  
AWNING WINDOW-LMI**



290 WEST 78 ROAD  
HIALEAH, FL 33014  
PH: (954)226-5555/(305)558-8103  
FAX: (305)558-6665  
www.gigwindows.com

W.H  
DRAWN BY:

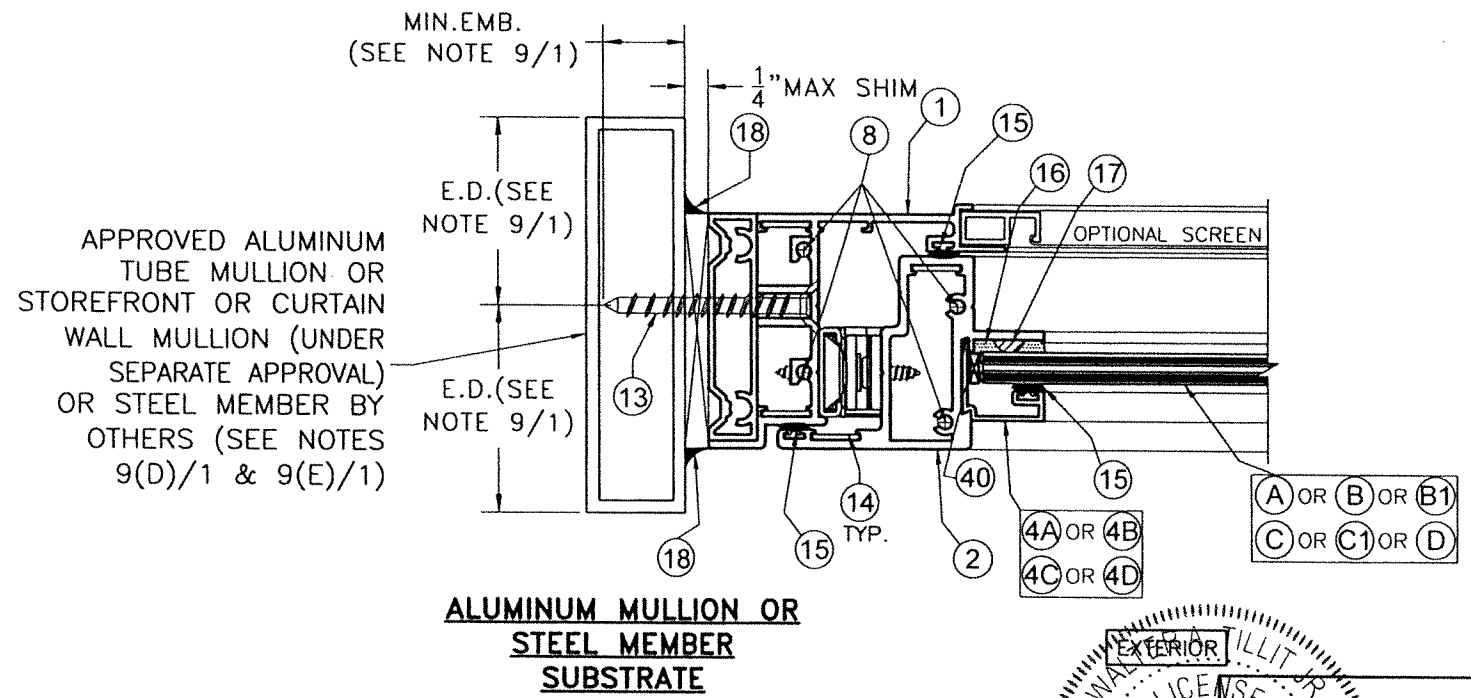
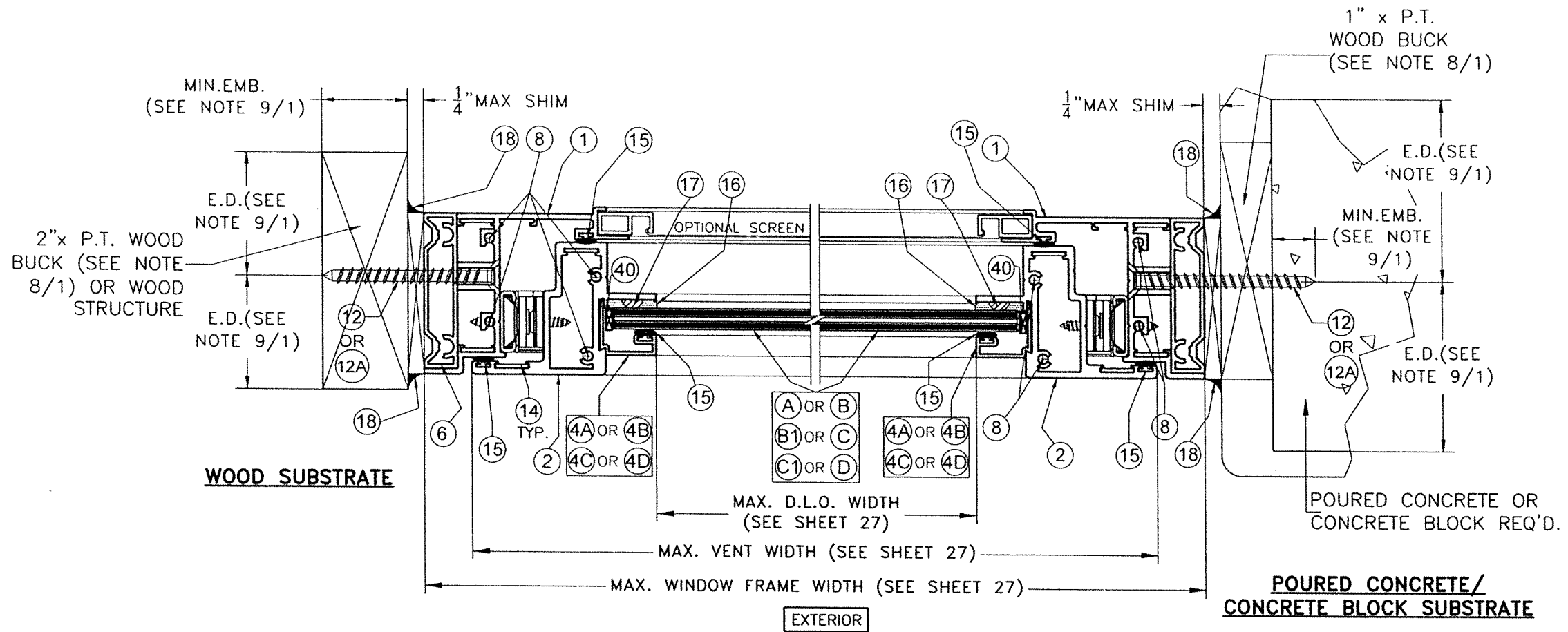
09/12/2023  
DATE:

**23-211**

DRAWING No.

SHEET 21 OF 34

REV. NO	DESCRIPTION	DATE	REV. No	DESCRIPTION	DATE
1	OLD 20-274	09/12/23	3		
2			4		



# SECTION E-E

SCALE 1/2"=1"

FOR HARDWARE SEE SHEETS 3 & 3A.

WALTER A. TILLIT JR.  
 LICENSE  
 No. 44167  
 STATE OF FLORIDA  
 PROFESSIONAL ENGINEER  
 1/9/2023

P.E. SEAL/SIGNATURE/DATE

FLORIDA BUILDING CODE (HIGH & NON HIGH VELOCITY HURRICANE ZONE)

©2023 TILTECO, INC.

**TILTECO INC.**  
 TILLIT TESTING & ENGINEERING COMPANY  
 6355 N.W. 36th St., Ste. 305, VIRGINIA GARDENS, FL 33166  
 Phone: (305)871-1530 Fax: (305)871-1531  
 CA-0006719  
 WALTER A. TILLIT Jr. P.E.  
 FLORIDA Lic. # 44167

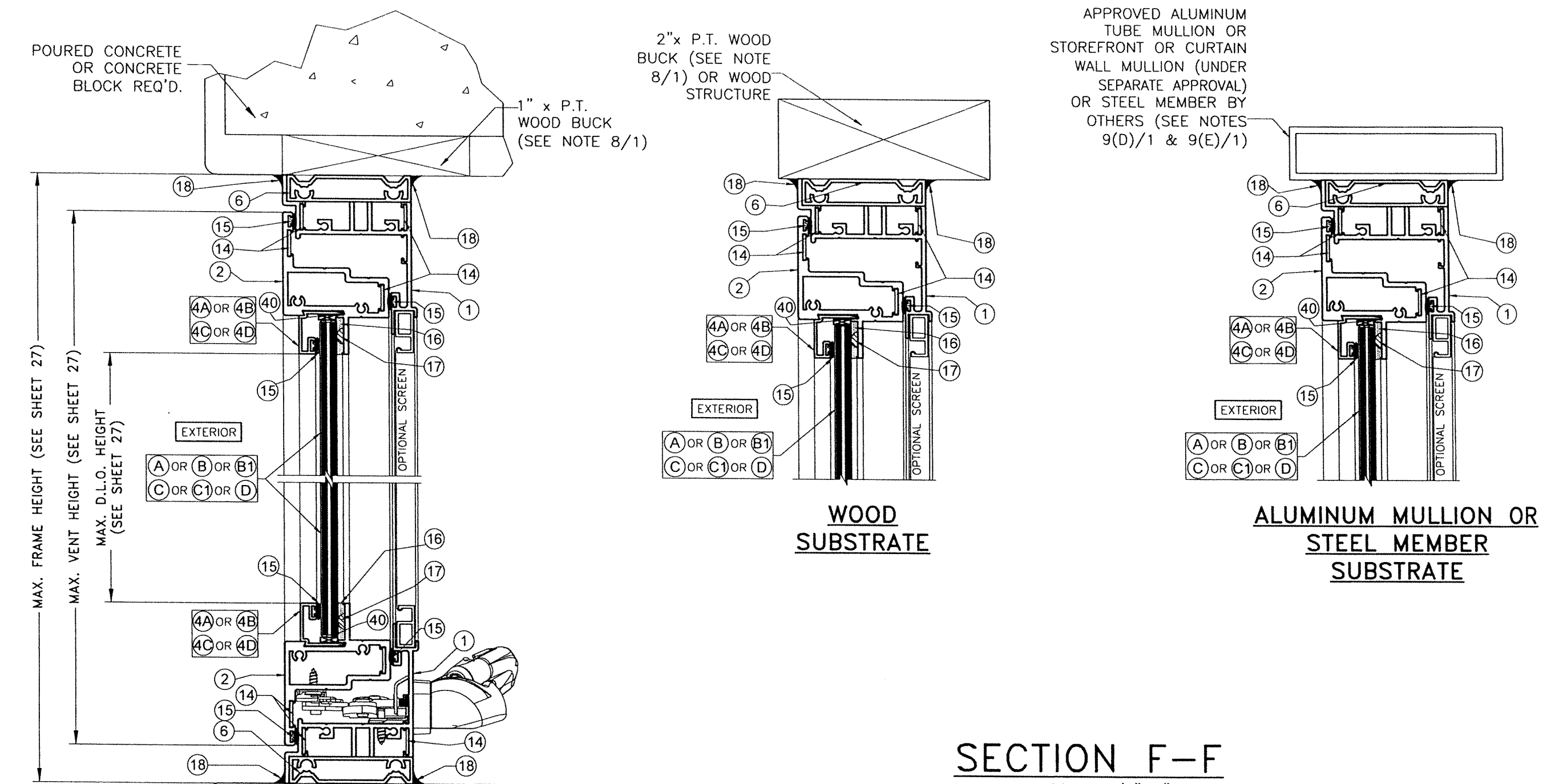
**SERIES VPF 8000 ALUMINUM AWNING WINDOW-LMI**

W.H. DRAWN BY:  
 09/12/2023  
 DATE:  
**23-211**  
 DRAWING No.

290 WEST 78 ROAD  
 HIALEAH, FL 33014  
 PH: (954)226-5555/(305)558-8103  
 FAX: (305)558-6665  
 www.gigwindows.com

REV. NO	DESCRIPTION	DATE	REV. No	DESCRIPTION	DATE
1	OLD 20-274	09/12/23	3		
2			4		

SHEET 22 OF 34



**SECTION F-F**  
SCALE 1/2"=1"

FOR HARDWARE SEE SHEETS 3 & 3A.

POURED CONCRETE OR CONCRETE BLOCK REQ'D.

1" x P.T. WOOD BUCK (SEE NOTE 8/1)

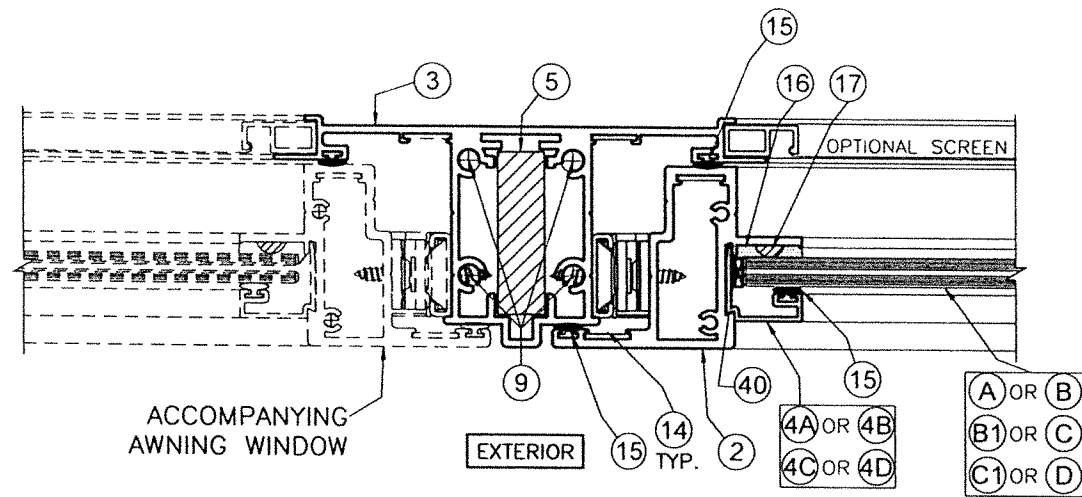
**POURED CONCRETE/  
CONCRETE BLOCK SUBSTRATE**

WALTER A. TILLIT JR.  
LICENSE  
No. 44167  
STATE OF  
FLORIDA  
PROFESSIONAL ENGINEER

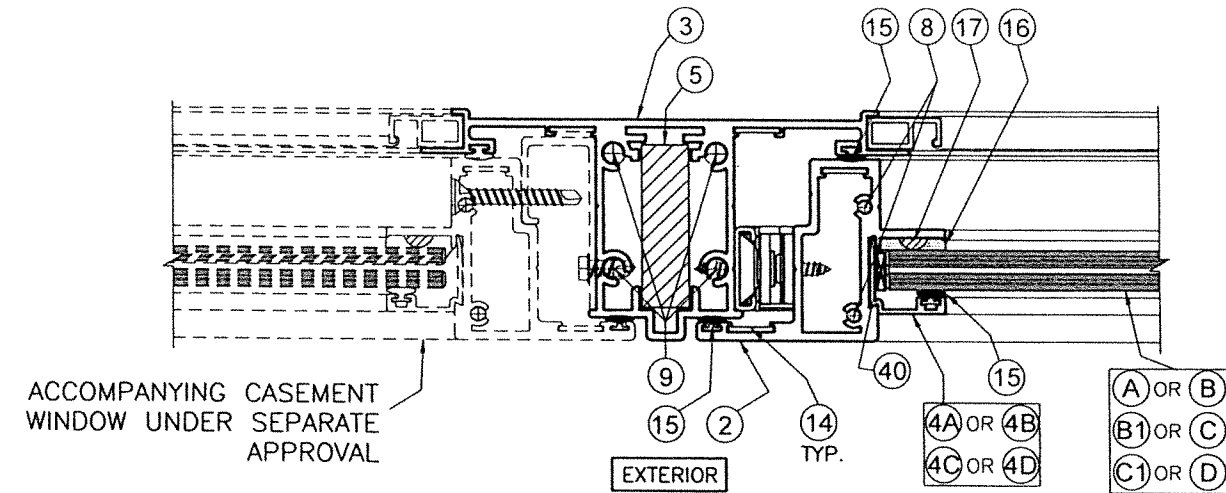
*[Signature]*  
4/2023

P.E. SEAL/SIGNATURE/DATE

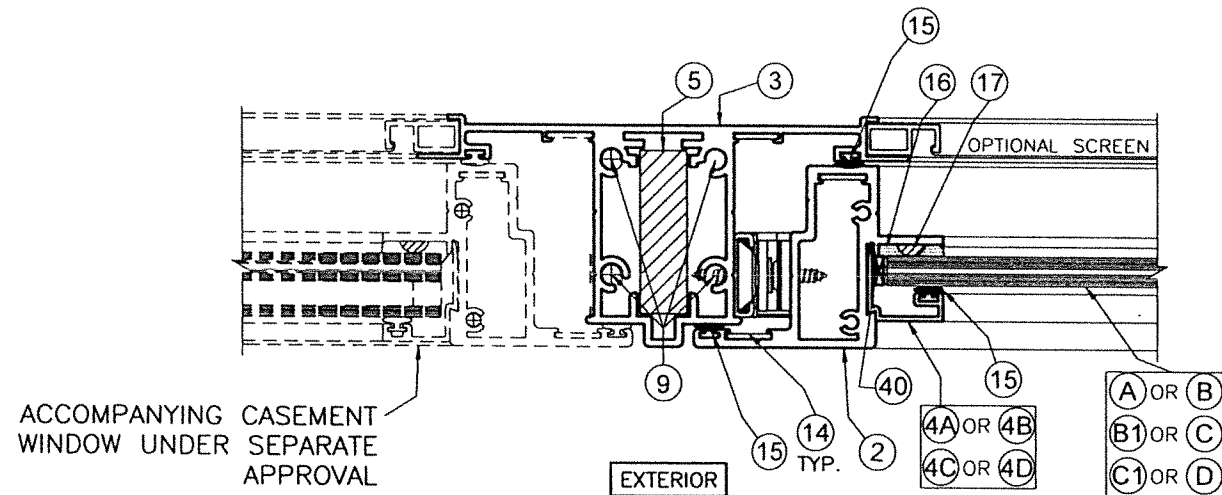
FLORIDA BUILDING CODE (HIGH & NON HIGH VELOCITY HURRICANE ZONE)			
©2023 TILTECO, INC.		SERIES VPF 8000 ALUMINUM AWNING WINDOW-LMI	
 <b>TILTECO INC.</b> TILLIT TESTING & ENGINEERING COMPANY 6355 N.W. 36th St., Ste. 305, VIRGINIA GARDENS, FL 33166 Phone : (305)871-1530 . Fax : (305)871-1531 CA-0006719 WALTER A. TILLIT Jr. P.E. FLORIDA Lic. # 44167		W.H DRAWN BY: 09/12/2023 DATE: <b>23-211</b> DRAWING No.	
		290 WEST 78 ROAD HIALEAH, FL 33014 PH: (954)226-5555/(305)558-8103 FAX: (305)558-6665 www.gigwindows.com	
REV. NO	DESCRIPTION	DATE	REV. No
1	OLD 20-274	09/12/23	3
2			4



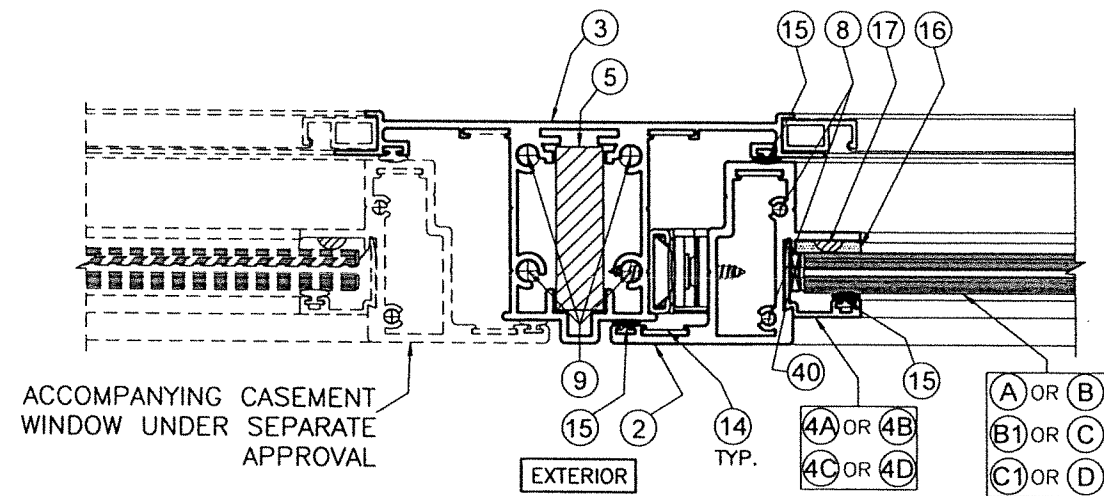
**SECTION G-G**  
SCALE 1/2"=1"



**SECTION H-H**  
SCALE 1/2"=1"



**SECTION I-I**  
SCALE 1/2"=1"



**SECTION J-J**  
SCALE 1/2"=1"

FOR HARDWARE SEE SHEETS 3 & 3A.

WALTER A. TILLIT JR.  
LICENSE  
No. 44167  
STATE OF FLORIDA  
PROFESSIONAL ENGINEER  
9/2023  
P.E. SEAL/SIGNATURE/DATE

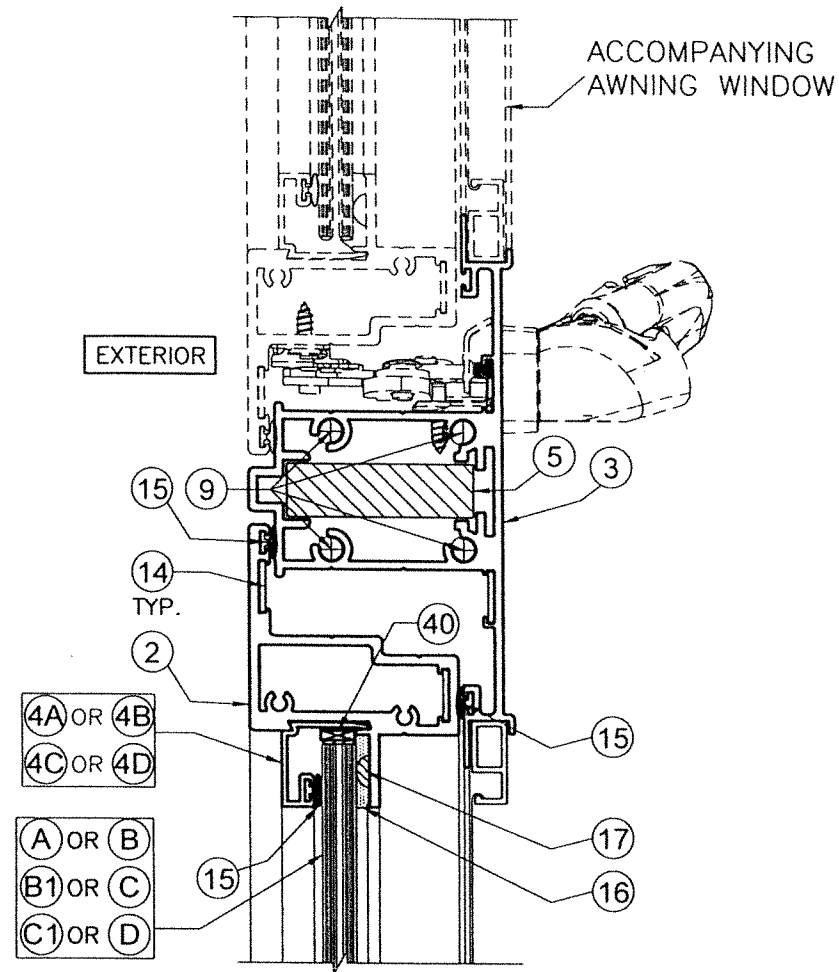
FLORIDA BUILDING CODE (HIGH & NON HIGH VELOCITY HURRICANE ZONE)

©2023 TILTECO, INC.  
**TILTECO INC.**  
TILLIT TESTING & ENGINEERING COMPANY  
6355 N.W. 36th. St., Ste. 305, VIRGINIA GARDENS, FL 33166  
Phone : (305)871-1530 . Fax : (305)871-1531  
CA-0006719  
WALTER A. TILLIT Jr. P.E.  
FLORIDA Lic. # 44167

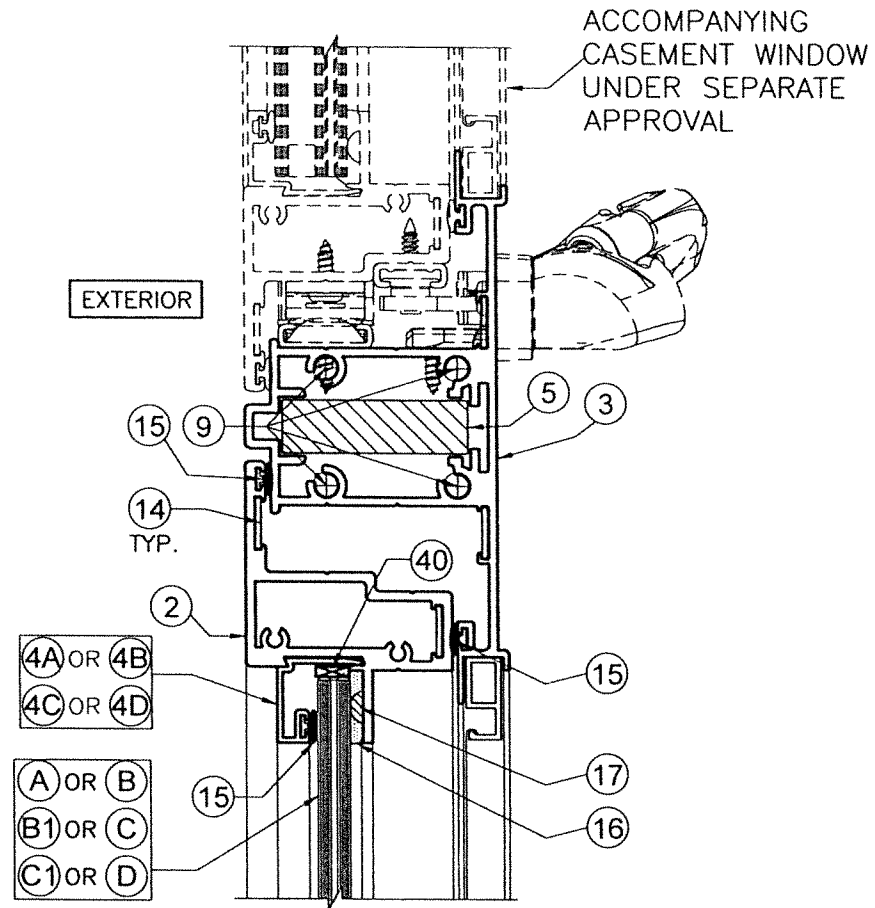
**SERIES VPF 8000 ALUMINUM AWNING WINDOW-LMI**  
290 WEST 78 ROAD  
HALEAH, FL 33014  
PH: (954)226-5555/(305)558-8103  
FAX: (305)558-6665  
www.gigwindows.com

W.H  
DRAWN BY:  
09/12/2023  
DATE:  
**23-211**  
DRAWING No.  
SHEET 24 OF 34

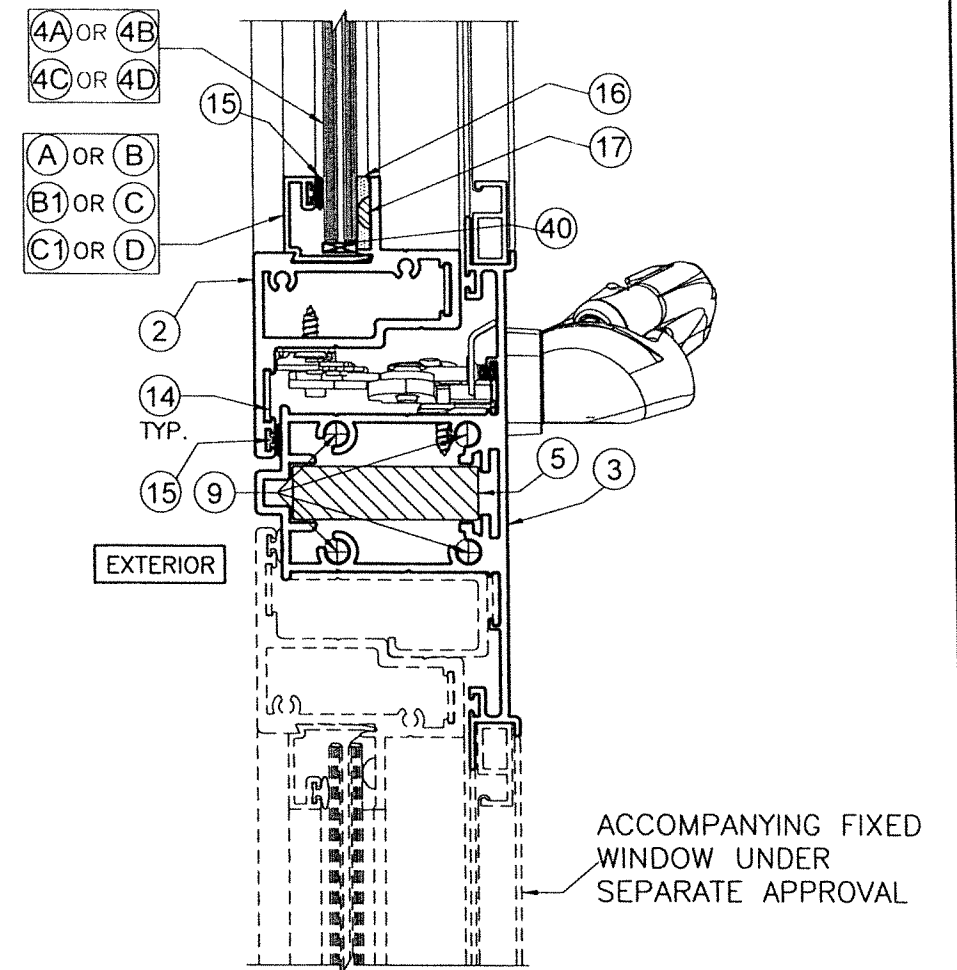
REV. NO	DESCRIPTION	DATE	REV. No	DESCRIPTION	DATE
1	OLD 20-274	09/12/23	3		
2			4		



**SECTION K-K**  
SCALE 1/2"=1"



**SECTION L-L**  
SCALE 1/2"=1"



**SECTION M-M**  
SCALE 1/2"=1"

FOR HARDWARE SEE SHEETS 3 & 3A.

WALTER A. TILLIT JR.  
LICENSE  
No. 44167  
STATE OF FLORIDA  
PROFESSIONAL ENGINEER  
9/2023  
P.E. SEAL/SIGNATURE/DATE

FLORIDA BUILDING CODE (HIGH & NON HIGH VELOCITY HURRICANE ZONE)

©2023 TILTECO, INC.

**TILTECO INC.**  
TILLIT TESTING & ENGINEERING COMPANY  
6355 N.W. 36th. St., Ste. 305, VIRGINIA GARDENS, FL 33166  
Phone : (305)871-1530 . Fax : (305)871-1531  
CA-0006719  
WALTER A. TILLIT Jr. P.E.  
FLORIDA Lic. # 44167

**SERIES VPF 8000 ALUMINUM  
AWNING WINDOW-LMI**



290 WEST 78 ROAD  
HIALEAH, FL 33014  
PH: (954)226-5555/(305)558-8103  
FAX: (305)558-6665  
www.gigwindows.com

W.H  
DRAWN BY:

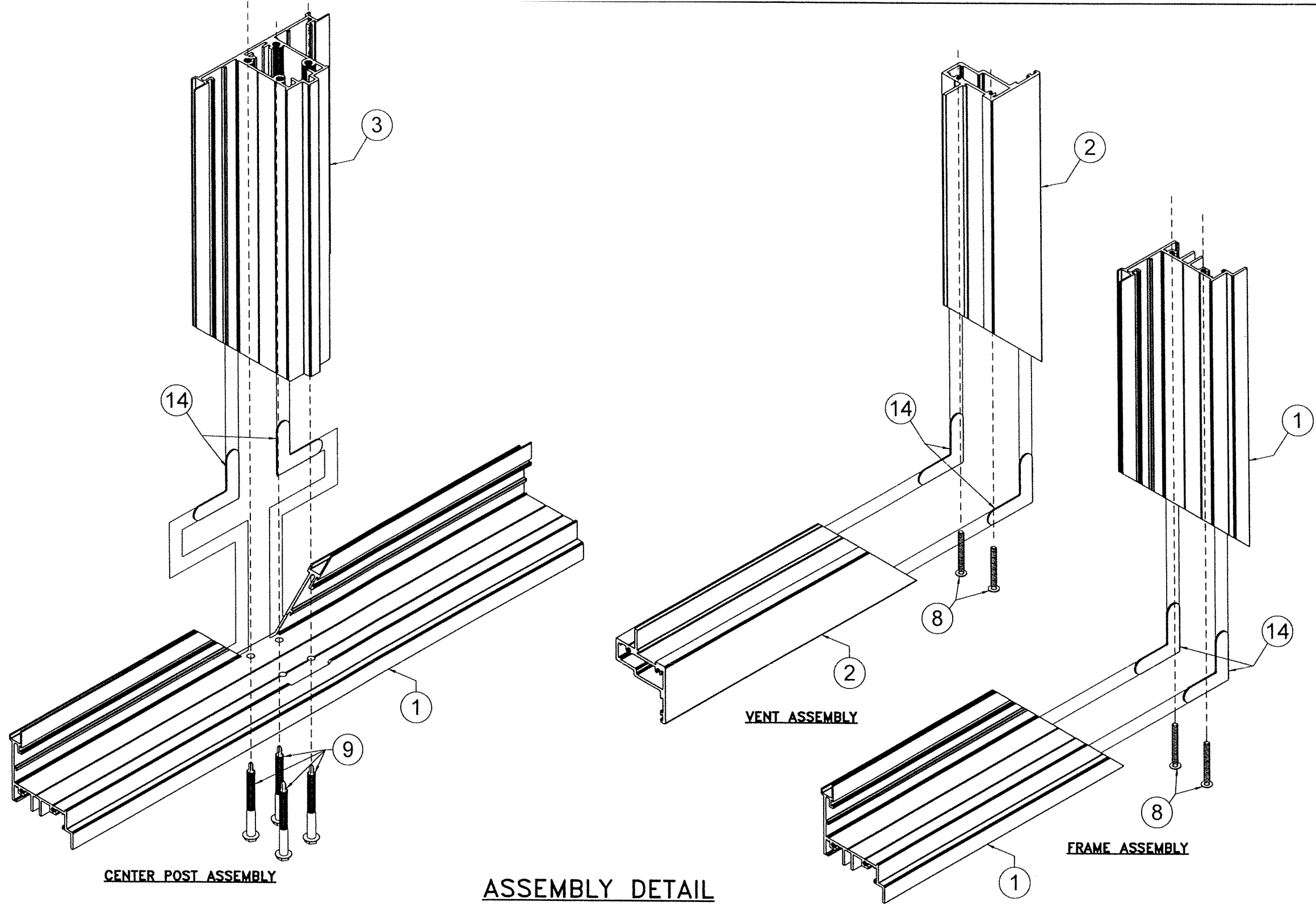
09/12/2023  
DATE:

**23-211**

DRAWING No.

REV. NO	DESCRIPTION	DATE	REV. No	DESCRIPTION	DATE
1	OLD 20-274	09/12/23	3		
2			4		

SHEET 25 OF 34




**ASSEMBLY DETAIL  
ISOMETRIC**

WALTER A. TILLIT JR.  
 LICENSE  
 No. 44167  
 STATE OF FLORIDA  
 PROFESSIONAL ENGINEER  
 9/2023  
 P.E. SEAL/SIGNATURE/DATE

FLORIDA BUILDING CODE (HIGH & NON HIGH VELOCITY HURRICANE ZONE)

©2023 TILTECO, INC.  
**TILTECO INC.**  
 TILLIT TESTING & ENGINEERING COMPANY  
 6355 N.W. 36th. St., Ste. 305, VIRGINIA GARDENS, FL 33166  
 Phone : (305)871-1530 . Fax : (305)871-1531  
 CA-0006719  
 WALTER A. TILLIT Jr. P.E.  
 FLORIDA Lic. # 44167

**SERIES VPF 8000 ALUMINUM  
AWNING WINDOW-LMI**  
  
 290 WEST 78 ROAD  
 HIALEAH, FL 33014  
 PH: (954)226-5555/(305)558-8103  
 FAX: (305)558-6665  
 www.gigwindows.com

W.H.  
 DRAWN BY:  
 09/12/2023  
 DATE:  
**23-211**  
 DRAWING No.  
 SHEET 26 OF 34

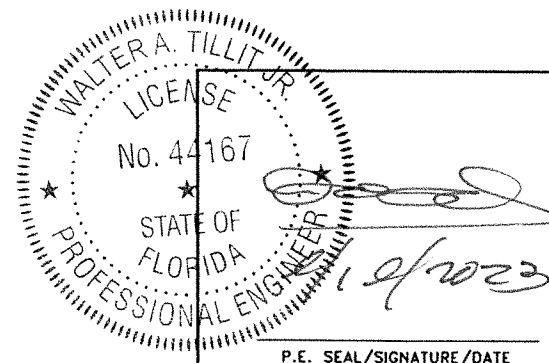
REV. NO	DESCRIPTION	DATE	REV. No	DESCRIPTION	DATE
1	OLD 20-274	09/12/23	3		
2			4		

SCHEDULE #1: VALID FOR INSTALLATIONS ON SHEETS 7, 8, 10 THRU 17 (VERTICAL ORIENTATION)							
MAX. ASD. DESIGN PRESSURE RATING AND CORRESPONDING MAX. FRAME, VENT & DLO. DIMENSIONS FOR AWNING WINDOWS FOR FRAME HEIGHT ≤ 74"							
MAX. ASD DESIGN PRESSURE RATING	MAX. FRAME WIDTH	MAX. FRAME HEIGHT	MAX. VENT WIDTH	MAX. VENT HEIGHT	MAX. D.L.O. WIDTH	MAX. D.L.O. HEIGHT	REQ'D. GLASS TYPE
+72.0, -72.0	42"	74"	41"	72 1/2"	35 5/8"	67 3/16"	(A)(B)(C)(D)
+105.0, -105.0	42"	55"	41"	53 3/8"	35 5/8"	48 1/16"	(B)(C)
+110.0, -110.0	40"	58"	39"	56 3/8"	33 5/8"	51 1/16"	(B)(C)
+120.0, -120.0	37"	63"	36"	61 3/8"	30 5/8"	56 1/16"	(B)(C)

SCHEDULE #2: VALID FOR INSTALLATIONS ON SHEETS 7, 8, 10 THRU 17 (HORIZONTAL ORIENTATION)							
MAX. ASD. DESIGN PRESSURE RATING AND CORRESPONDING MAX. FRAME, VENT & DLO. DIMENSIONS FOR AWNING WINDOWS FOR FRAME HEIGHT ≤ 74"							
MAX. ASD DESIGN PRESSURE RATING	MAX. FRAME WIDTH	MAX. FRAME HEIGHT	MAX. VENT WIDTH	MAX. VENT HEIGHT	MAX. D.L.O. WIDTH	MAX. D.L.O. HEIGHT	REQ'D. GLASS TYPE
+72.0, -72.0	74"	42"	72 1/2"	41"	67 3/16"	35 5/8"	(A)(B)(C)(D)
+105.0, -105.0	55"	42"	53 3/8"	41"	48 1/16"	35 5/8"	(B)(C)
+110.0, -110.0	58"	40"	56 3/8"	39"	51 1/16"	33 5/8"	(B)(C)
+120.0, -120.0	63"	37"	61 3/8"	36"	56 1/16"	30 5/8"	(B)(C)

SCHEDULE #3: VALID FOR INSTALLATIONS ON SHEET 9 (VERTICAL ORIENTATION)							
MAX. ASD. DESIGN PRESSURE RATING AND CORRESPONDING MAX. FRAME, VENT & DLO. DIMENSIONS FOR AWNING WINDOWS FOR FRAME HEIGHT UP TO 74"							
MAX. ASD DESIGN PRESSURE RATING	MAX. FRAME WIDTH	MAX. FRAME HEIGHT	MAX. VENT WIDTH	MAX. VENT HEIGHT	MAX. D.L.O. WIDTH	MAX. D.L.O. HEIGHT	REQ'D. GLASS TYPE
+72.0, -72.0	42"	74"	40 1/2"	72 1/2"	35 3/16"	67 3/16"	(A)(B)(C)(D)

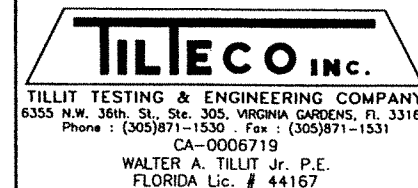
SCHEDULE #4: VALID FOR INSTALLATIONS ON SHEET 9 (HORIZONTAL ORIENTATION)							
MAX. ASD. DESIGN PRESSURE RATING AND CORRESPONDING MAX. FRAME, VENT & DLO. DIMENSIONS FOR AWNING WINDOWS FOR FRAME HEIGHT THAN 74" UP TO 84"							
MAX. ASD DESIGN PRESSURE RATING	MAX. FRAME WIDTH	MAX. FRAME HEIGHT	MAX. VENT WIDTH	MAX. VENT HEIGHT	MAX. D.L.O. WIDTH	MAX. D.L.O. HEIGHT	REQ'D. GLASS TYPE
+72.0, -72.0	84"	42"	82 1/2"	40 1/2"	77 3/16"	35 3/16"	(A)(B)(C)(D)



P.E. SEAL/SIGNATURE/DATE

FLORIDA BUILDING CODE (HIGH & NON HIGH VELOCITY HURRICANE ZONE)

©2023 TILTECO, INC.



SERIES VPF 8000 ALUMINUM AWNING WINDOW-LMI



290 WEST 78 ROAD  
HALEAH, FL 33014  
PH: (954)226-5555/(305)558-8103  
FAX: (305)558-6665  
www.gigwindows.com

W.H  
DRAWN BY:

09/12/2023  
DATE:

23-211

DRAWING No.

REV. NO	DESCRIPTION	DATE	REV. No	DESCRIPTION	DATE
1	OLD 20-274	09/12/23	3		
2			4		

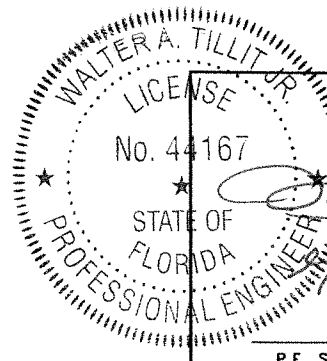
SHEET 27 OF 34



MAXIMUM ANCHOR SPACING "S" AT ATTACHED JAMB FOR AWNING WINDOWS W/ MAX. FRAME HEIGHT ≤ 74" (VERTICAL ORIENTATION)					
SUBSTRATE	ANCHOR TYPE	MAX. ASD DESIGN PRESSURE RATING (psf.)	MAX. FRAME WIDTH	MAX. FRAME HEIGHT	"S" (O.C.) AT JAMB
POURED CONCRETE f'c=3000psi	(12) OR (12A)	+72.0, -72.0	42"	74"	15"
			42"	55"	14"
		+75.0, -75.0	40"	58"	15"
			37"	63"	16"
		+80.0, -80.0	42"	55"	13"
			40"	58"	14"
			37"	63"	15"
			42"	55"	12"
		+85.0, -85.0	40"	58"	13"
			37"	63"	14"
		+90.0, -90.0	42"	55"	12"
			40"	58"	12"
			37"	63"	13"
			42"	55"	11"
		+95.0, -95.0	40"	58"	12"
			37"	63"	13"
		+100.0, -100.0	42"	55"	11"
			40"	58"	11"
			37"	63"	12"
			42"	55"	10"
+105.0, -105.0	40"	58"	11"		
	37"	63"	11"		
+110.0, -110.0	40"	58"	10"		
	37"	63"	11"		
+115.0, -115.0	37"	63"	10"		
	+120.0, -120.0	37"	63"	10"	

CONTINUED					
SUBSTRATE	ANCHOR TYPE	MAX. ASD DESIGN PRESSURE RATING (psf.)	MAX. FRAME WIDTH	MAX. FRAME HEIGHT	"S" (O.C.) AT JAMB
CONCRETE BLOCK	(12) OR (12A)	+72.0, -72.0	42"	74"	12"
			42"	55"	12"
		+75.0, -75.0	40"	58"	12"
			37"	63"	13"
		+80.0, -80.0	42"	55"	11"
			40"	58"	12"
			37"	63"	13"
			42"	55"	10"
		+85.0, -85.0	40"	58"	11"
			37"	63"	12"
		+90.0, -90.0	42"	55"	10"
			40"	58"	10"
			37"	63"	11"
			42"	55"	9"
		+95.0, -95.0	40"	58"	10"
			37"	63"	10"
		+100.0, -100.0	42"	55"	9"
			40"	58"	9"
			37"	63"	10"
			42"	55"	8"
+105.0, -105.0	40"	58"	9"		
	37"	63"	9"		
+110.0, -110.0	40"	58"	8"		
	37"	63"	9"		
+115.0, -115.0	37"	63"	9"		
	+120.0, -120.0	37"	63"	8"	

CONTINUED					
SUBSTRATE	ANCHOR TYPE	MAX. ASD DESIGN PRESSURE RATING (psf.)	MAX. FRAME WIDTH	MAX. FRAME HEIGHT	"S" (O.C.) AT JAMB
ALUMINUM OR STEEL	(13)	+72.0, -72.0	42"	74"	16"
			42"	55"	16"
		+75.0, -75.0	40"	58"	16"
			37"	63"	16"
		+80.0, -80.0	42"	55"	16"
			40"	58"	16"
			37"	63"	16"
			42"	55"	15"
		+85.0, -85.0	40"	58"	16"
			37"	63"	16"
		+90.0, -90.0	42"	55"	14"
			40"	58"	15"
			37"	63"	16"
			42"	55"	13"
		+95.0, -95.0	40"	58"	14"
			37"	63"	15"
		+100.0, -100.0	42"	55"	13"
			40"	58"	13"
			37"	63"	14"
			42"	55"	12"
+105.0, -105.0	40"	58"	13"		
	37"	63"	14"		
+110.0, -110.0	40"	58"	12"		
	37"	63"	13"		
+115.0, -115.0	37"	63"	12"		
	+120.0, -120.0	37"	63"	12"	

CONTINUED					
SUBSTRATE	ANCHOR TYPE	MAX. ASD DESIGN PRESSURE RATING (psf.)	MAX. FRAME WIDTH	MAX. FRAME HEIGHT	"S" (O.C.) AT JAMB
WOOD	(12) OR (12A)	+72.0, -72.0	42"	74"	15"
			42"	55"	14"
		+75.0, -75.0	40"	58"	15"
			37"	63"	16"
		+80.0, -80.0	42"	55"	13"
			40"	58"	14"
			37"	63"	15"
			42"	55"	12"
		+85.0, -85.0	40"	58"	13"
			37"	63"	14"
		+90.0, -90.0	42"	55"	12"
			40"	58"	12"
			37"	63"	13"
			42"	55"	11"
		+95.0, -95.0	40"	58"	12"
			37"	63"	13"
		+100.0, -100.0	42"	55"	11"
			40"	58"	11"
			37"	63"	12"
			42"	55"	10"
+105.0, -105.0	40"	58"	11"		
	37"	63"	11"		
+110.0, -110.0	40"	58"	10"		
	37"	63"	11"		
+115.0, -115.0	37"	63"	10"		
	+120.0, -120.0	37"	63"	10"	


  
 WALTER A. TILLIT JR.  
 LICENSE  
 No. 44167  
 STATE OF FLORIDA  
 PROFESSIONAL ENGINEER  
 12/1/2023  
 P.E. SEAL/SIGNATURE/DATE

FLORIDA BUILDING CODE (HIGH & NON HIGH VELOCITY HURRICANE ZONE)																							
©2023 TILTECO, INC.			SERIES VPF 8000 ALUMINUM AWNING WINDOW-LMI		W.H DRAWN BY:																		
 <b>TILTECO INC.</b> TILLIT TESTING & ENGINEERING COMPANY 6355 N.W. 36th St., Ste. 305, VIRGINIA GARDENS, FL 33166 Phone : (305)871-1530 . Fax : (305)871-1531 CA-0006719			 290 WEST 78 ROAD HIALEAH, FL 33014 PH: (954)226-5555/(305)558-8103 FAX: (305)558-6665 www.gigwindows.com		09/12/2023 DATE:																		
WALTER A. TILLIT Jr. P.E. FLORIDA Lic. # 44167			<table border="1"> <tr> <th>REV. NO</th> <th>DESCRIPTION</th> <th>DATE</th> <th>REV. No</th> <th>DESCRIPTION</th> <th>DATE</th> </tr> <tr> <td>1</td> <td>OLD 20-274</td> <td>09/12/23</td> <td>3</td> <td></td> <td></td> </tr> <tr> <td>2</td> <td></td> <td></td> <td>4</td> <td></td> <td></td> </tr> </table>		REV. NO	DESCRIPTION	DATE	REV. No	DESCRIPTION	DATE	1	OLD 20-274	09/12/23	3			2			4			<b>23-211</b> DRAWING No. SHEET 28 OF 34
REV. NO	DESCRIPTION	DATE	REV. No	DESCRIPTION	DATE																		
1	OLD 20-274	09/12/23	3																				
2			4																				

**MAXIMUM ANCHOR SPACING "S" AT ATTACHED HEAD/SILL FOR AWNING WINDOWS W/ MAX. FRAME WIDTH ≤ 74" (HORIZONTAL ORIENTATION)**

SUBSTRATE	ANCHOR TYPE	MAX. ASD DESIGN PRESSURE RATING (psf.)	MAX. FRAME WIDTH	MAX. FRAME HEIGHT	"S" (O.C.) AT JAMB
POURED CONCRETE f'c=3000psi	(12) OR (12A)	+72.0, -72.0	74"	42"	15"
			55"	42"	14"
		+75.0, -75.0	58"	40"	15"
			63"	37"	16"
		+80.0, -80.0	55"	42"	13"
			58"	40"	14"
		+85.0, -85.0	63"	37"	15"
			55"	42"	12"
		+90.0, -90.0	58"	40"	13"
			63"	37"	14"
		+95.0, -95.0	55"	42"	12"
			58"	40"	13"
		+100.0, -100.0	63"	37"	11"
			55"	42"	11"
		+105.0, -105.0	58"	40"	11"
			63"	37"	12"
		+110.0, -110.0	55"	42"	10"
			58"	40"	11"
		+115.0, -115.0	63"	37"	10"
			+120.0, -120.0	63"	37"

**CONTINUED**

SUBSTRATE	ANCHOR TYPE	MAX. ASD DESIGN PRESSURE RATING (psf.)	MAX. FRAME WIDTH	MAX. FRAME HEIGHT	"S" (O.C.) AT JAMB
CONCRETE BLOCK	(12) OR (12A)	+72.0, -72.0	74"	42"	12"
			55"	42"	12"
		+75.0, -75.0	58"	40"	12"
			63"	37"	13"
		+80.0, -80.0	55"	42"	11"
			58"	40"	12"
		+85.0, -85.0	63"	37"	13"
			55"	42"	10"
		+90.0, -90.0	58"	40"	11"
			63"	37"	12"
		+95.0, -95.0	55"	42"	10"
			58"	40"	9"
		+100.0, -100.0	63"	37"	10"
			55"	42"	9"
		+105.0, -105.0	58"	40"	9"
			63"	37"	9"
		+110.0, -110.0	58"	40"	8"
			63"	37"	9"
		+115.0, -115.0	58"	40"	8"
			+120.0, -120.0	63"	37"

**CONTINUED**

SUBSTRATE	ANCHOR TYPE	MAX. ASD DESIGN PRESSURE RATING (psf.)	MAX. FRAME WIDTH	MAX. FRAME HEIGHT	"S" (O.C.) AT JAMB
ALUMINUM OR STEEL	(13)	+72.0, -72.0	74"	42"	16"
			55"	42"	16"
		+75.0, -75.0	58"	40"	16"
			63"	37"	16"
		+80.0, -80.0	55"	42"	16"
			58"	40"	16"
		+85.0, -85.0	63"	37"	16"
			55"	42"	15"
		+90.0, -90.0	58"	40"	16"
			63"	37"	16"
		+95.0, -95.0	55"	42"	14"
			58"	40"	15"
		+100.0, -100.0	63"	37"	13"
			55"	42"	13"
		+105.0, -105.0	58"	40"	13"
			63"	37"	14"
		+110.0, -110.0	55"	42"	12"
			58"	40"	13"
		+115.0, -115.0	63"	37"	14"
			+120.0, -120.0	63"	37"

**CONTINUED**

SUBSTRATE	ANCHOR TYPE	MAX. ASD DESIGN PRESSURE RATING (psf.)	MAX. FRAME WIDTH	MAX. FRAME HEIGHT	"S" (O.C.) AT JAMB
WOOD	(12) OR (12A)	+72.0, -72.0	74"	42"	15"
			55"	42"	14"
		+75.0, -75.0	58"	40"	15"
			63"	37"	16"
		+80.0, -80.0	55"	42"	13"
			58"	40"	14"
		+85.0, -85.0	63"	37"	15"
			55"	42"	12"
		+90.0, -90.0	58"	40"	13"
			63"	37"	14"
		+95.0, -95.0	55"	42"	12"
			58"	40"	13"
		+100.0, -100.0	63"	37"	13"
			55"	42"	11"
		+105.0, -105.0	58"	40"	12"
			63"	37"	13"
		+110.0, -110.0	55"	42"	11"
			58"	40"	12"
		+115.0, -115.0	63"	37"	11"
			+120.0, -120.0	63"	37"

WALTER A. TILLIT JR.  
LICENSE  
No. 44167  
STATE OF FLORIDA  
PROFESSIONAL ENGINEER  
1/1/2023  
P.E. SEAL/SIGNATURE/DATE

FLORIDA BUILDING CODE (HIGH & NON HIGH VELOCITY HURRICANE ZONE)

©2023 TILTECO, INC.

**TILTECO inc.**

TILLIT TESTING & ENGINEERING COMPANY  
6355 N.W. 36th. St., Ste. 305, VIRGINIA GARDENS, FL 33166  
Phone : (305)871-1530 . Fax : (305)871-1531  
CA-0006719  
WALTER A. TILLIT Jr. P.E.  
FLORIDA Lic. # 44167

**SERIES VPF 8000 ALUMINUM AWNING WINDOW-LMI**

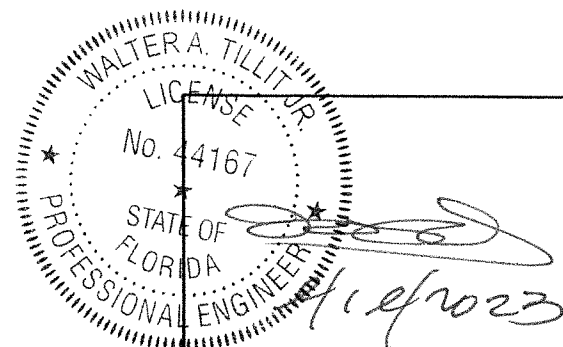
W.H  
DRAWN BY:  
09/12/2023  
DATE:  
**23-211**  
DRAWING No.  
SHEET 29 OF 34

290 WEST 78 ROAD  
HIALEAH, FL 33014  
PH: (954)226-5555/(305)558-8103  
FAX: (305)558-6665  
www.gigwindows.com

REV. NO	DESCRIPTION	DATE	REV. No	DESCRIPTION	DATE
1	OLD 20-274	09/12/23	3		
2			4		

MAX. ANCHOR SPACING "S"(AT JAMB) & "S"(AT HEAD/SILL) AT AWNING WINDOW  
W/ MAX. FRAME WIDTH LARGER THAN 74" UP TO 84" (HORIZONTAL ORIENTATION)

SUBSTRATE	ANCHOR TYPE	MAX. ASD DESIGN PRESSURE RATING (psf.)	MAX. FRAME WIDTH	MAX. FRAME HEIGHT	"S"
POURED CONCRETE f'c=3000psi	⑫OR⑫A	+72.0, -72.0	84"	42"	15"
CONCRETE BLOCK	⑫OR⑫A	±55.0 OR LEES	84"	42"	15"
		±55.0 UP TO ±72.0	84"	42"	12"
METAL	⑬	+72.0, -72.0	84"	42"	15"
WOOD	⑫OR⑫A	+72.0, -72.0	84"	42"	15"



P.E. SEAL/SIGNATURE/DATE

FLORIDA BUILDING CODE (HIGH & NON HIGH VELOCITY HURRICANE ZONE)

©2023 TILTECO, INC.

**TILTECO inc.**  
 TILLIT TESTING & ENGINEERING COMPANY  
 6355 N.W. 36th St., Ste. 305, VIRGINIA GARDENS, FL 33166  
 Phone : (305)871-1530 . Fax : (305)871-1531  
 CA-0006719  
 WALTER A. TILLIT Jr. P.E.  
 FLORIDA Lic. # 44167

**SERIES VPF 8000 ALUMINUM  
AWNING WINDOW-LMI**



290 WEST 78 ROAD  
 HIALEAH, FL 33014  
 PH: (954)226-5555/(305)558-8103  
 FAX: (305)558-6665  
 www.gigwindows.com

W.H  
DRAWN BY:

09/12/2023  
DATE:

**23-211**

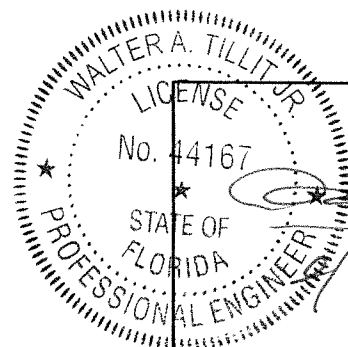
DRAWING No.

SHEET 30 OF 34

REV. NO	DESCRIPTION	DATE	REV. No	DESCRIPTION	DATE
1	OLD 20-274	09/12/23	3		
2			4		

SCHEDULE #5: VALID FOR INSTALLATIONS PER SHEETS 8, 10, 13, 17(AS APPLICABLE) (VERTICAL ORIENTATION)					
MAXIMUM # OF ANCHORS "n" AT EA. OF TWO CLUSTERS AT HEAD OR SILL FOR AWNING WINDOWS WHEN JAMBS ARE NOT ATTACHED TO WALL					
SUBSTRATE	ANCHOR TYPE	MAX. ASD DESIGN PRESSURE RATING (psf.)	MAX. FRAME WIDTH	MAX. FRAME HEIGHT	"n"
POURED CONCRETE f'c=3000psi	⑫ OR ⑫A	+72.0, -72.0	42"	74"	3
		+75.0, -75.0 TO +80.0, -80.0	42"	55"	2
			40"	58"	2
		+85.0, -85.0 TO +115.0, -115.0	37"	63"	2
			42"	55"	3
			40"	58"	3
37"	63"	3			
ALUMINUM OR STEEL	⑬	+72.0, -72.0	42"	74"	2
		+75.0, -75.0 TO +95.0, -95.0	42"	55"	2
			40"	58"	2
		+100.0, -100.0 TO +115.0, -115.0	37"	63"	2
			42"	55"	3
			40"	58"	3
37"	63"	3			
+120.0, -120.0	37"	63"	3		

SCHEDULE #5 (CONTINUED)					
SUBSTRATE	ANCHOR TYPE	MAX. ASD DESIGN PRESSURE RATING (psf.)	MAX. FRAME WIDTH	MAX. FRAME HEIGHT	"n"
CONCRETE BLOCK	⑫ OR ⑫A	+72.0, -72.0	42"	74"	3
		+75.0, -75.0 TO +100.0, -100.0	42"	55"	3
			40"	58"	3
		+105.0, -105.0 TO +115.0, -115.0	37"	63"	3
			42"	55"	4
			40"	58"	4
37"	63"	4			
+120.0, -120.0	37"	63"	4		
WOOD	⑫ OR ⑫A	+72.0, -72.0	42"	74"	3
		+75.0, -75.0 TO +80.0, -80.0	42"	55"	2
			40"	58"	2
		+85.0, -85.0 TO +115.0, -115.0	37"	63"	2
			42"	55"	3
			40"	58"	3
37"	63"	3			
+120.0, -120.0	37"	63"	3		



P.E. SEAL/SIGNATURE/DATE

FLORIDA BUILDING CODE (HIGH & NON HIGH VELOCITY HURRICANE ZONE)

©2023 TILTECO, INC.



TILLIT TESTING & ENGINEERING COMPANY  
6355 N.W. 36th St., Ste. 305, VIRGINIA GARDENS, FL 33166  
Phone: (305)871-1530 • Fax: (305)871-1531  
CA-0006719  
WALTER A. TILLIT Jr. P.E.  
FLORIDA Lic. # 44167

SERIES VPF 8000 ALUMINUM  
AWNING WINDOW-LMI



290 WEST 78 ROAD  
HALEAH, FL 33014  
PH: (954)226-5555/(305)558-8103  
FAX: (305)558-6665  
www.gigwindows.com

W.H  
DRAWN BY:

09/12/2023  
DATE:

23-211

DRAWING No.

REV. NO	DESCRIPTION	DATE	REV. No	DESCRIPTION	DATE
1	OLD 20-274	09/12/23	3		
2			4		

SHEET 31 OF 34

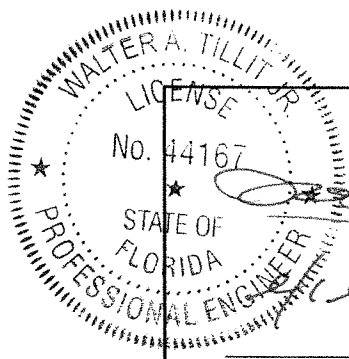
**SCHEDULE #6: VALID FOR INSTALLATIONS PER SHEETS 8, 11, 12, 14, 15, 16, 17(AS APPLICABLE) (HORIZONTAL ORIENTATION)**

**MAXIMUM # OF ANCHORS "n" AT EA. OF TWO CLUSTERS AT JAMBS FOR AWNING WINDOWS WHEN HEAD/SILL ARE NOT ATTACHED TO WALL**

SUBSTRATE	ANCHOR TYPE	MAX. ASD DESIGN PRESSURE RATING (psf.)	MAX. FRAME WIDTH	MAX. FRAME HEIGHT	"n"		
POURED CONCRETE f'c=3000psi	⑫ OR ⑫A	+72.0, -72.0	74"	42"	3		
		+75.0, -75.0 TO +80.0, -80.0	55"	42"	2		
			58"	40"	2		
			63"	37"	2		
		+85.0, -85.0 TO +115.0, -115.0	55"	42"	3		
			58"	40"	3		
			63"	37"	3		
		+120.0, -120.0	63"	37"	3		
		ALUMINUM OR STEEL	⑬	+72.0, -72.0	74"	42"	2
				+75.0, -75.0 TO +95.0, -95.0	55"	42"	2
58"	40"				2		
63"	37"				2		
+100.0, -100.0 TO +115.0, -115.0	55"			42"	3		
	58"			40"	3		
	63"			37"	3		
+120.0, -120.0	63"			37"	3		

**SCHEDULE #6 (CONTINUED)**

SUBSTRATE	ANCHOR TYPE	MAX. ASD DESIGN PRESSURE RATING (psf.)	MAX. FRAME WIDTH	MAX. FRAME HEIGHT	"n"		
CONCRETE BLOCK	⑫ OR ⑫A	+72.0, -72.0	74"	42"	3		
		+75.0, -75.0 TO +100.0, -100.0	55"	42"	3		
			58"	40"	3		
			63"	37"	3		
		+105.0, -105.0 TO +115.0, -115.0	55"	42"	4		
			58"	40"	4		
			63"	37"	4		
		+120.0, -120.0	63"	37"	4		
		WOOD	⑫ OR ⑫A	+72.0, -72.0	74"	42"	3
				+75.0, -75.0 TO +80.0, -80.0	55"	42"	2
58"	40"				2		
63"	37"				2		
+85.0, -85.0 TO +115.0, -115.0	55"			42"	3		
	58"			40"	3		
	63"			37"	3		
+120.0, -120.0	63"			37"	3		



P.E. SEAL/SIGNATURE/DATE

FLORIDA BUILDING CODE (HIGH & NON HIGH VELOCITY HURRICANE ZONE)

©2023 TILTECO, INC.

TILLIT TESTING & ENGINEERING COMPANY  
6355 N.W. 36th. St., Ste. 305, VIRGINIA GARDENS, FL 33166  
Phone : (305)871-1530 . Fax : (305)871-1531  
CA-0006719  
WALTER A. TILLIT Jr., P.E.  
FLORIDA Lic. # 44167

**SERIES VPF 8000 ALUMINUM AWNING WINDOW-LMI**

290 WEST 78 ROAD  
HIALEAH, FL 33014  
PH: (954)226-5555/(305)558-8103  
FAX: (305)558-6665  
www.gigwindows.com

W.H  
DRAWN BY:  
09/12/2023  
DATE:  
**23-211**  
DRAWING No.  
SHEET 32 OF 34

REV. NO	DESCRIPTION	DATE	REV. No	DESCRIPTION	DATE
1	OLD 20-274	09/12/23	3		
2			4		

SCHEDULE #7: VALID FOR INSTALLATIONS PER SHEET 17

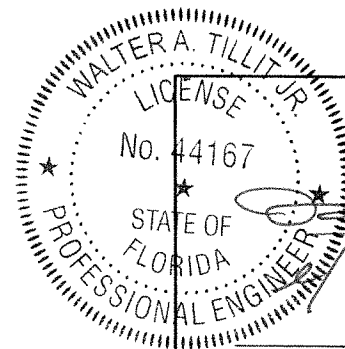
MAXIMUM # OF ANCHORS "n" AT CLUSTER AT EA. END OF HORIZONTAL CENTER POST (3) AT JAMBS FOR VERTICAL COMBINATION OF VERTICALLY ORIENTED AWNINGS WINDOWS

SUBSTRATE	ANCHOR TYPE	MAX. ASD DESIGN PRESSURE RATING (psf.)	MAX. FRAME WIDTH	MAX. FRAME HEIGHT	"n"		
POURED CONCRETE f'c=3000psi	(12) OR (12A)	+72.0, -72.0	42"	74"	6		
		+75.0, -75.0 TO +80.0, -80.0	42"	55"	4		
			40"	58"	4		
			37"	63"	4		
		+85.0, -85.0 TO +115.0, -115.0	42"	55"	6		
			40"	58"	6		
			37"	63"	6		
		+120.0, -120.0	37"	63"	6		
		ALUMINUM OR STEEL	(13)	+72.0, -72.0	42"	74"	4
				+75.0, -75.0 TO +95.0, -95.0	42"	55"	4
40"	58"				4		
37"	63"				4		
+100.0, -100.0 TO +115.0, -115.0	42"			55"	6		
	40"			58"	6		
	37"			63"	6		
+120.0, -120.0	37"			63"	6		

SCHEDULE #7 (CONTINUED)

SUBSTRATE	ANCHOR TYPE	MAX. ASD DESIGN PRESSURE RATING (psf.)	MAX. FRAME WIDTH	MAX. FRAME HEIGHT	"n"		
CONCRETE BLOCK	(12) OR (12A)	+72.0, -72.0	42"	74"	6		
		+75.0, -75.0 TO +100.0, -100.0	42"	55"	6		
			40"	58"	6		
			37"	63"	6		
		+105.0, -105.0 TO +115.0, -115.0	42"	55"	8		
			40"	58"	8		
			37"	63"	8		
		+120.0, -120.0	37"	63"	8		
		WOOD	(12) OR (12A)	+72.0, -72.0	42"	74"	6
				+75.0, -75.0 TO +80.0, -80.0	42"	55"	4
40"	58"				4		
37"	63"				4		
+85.0, -85.0 TO +115.0, -115.0	42"			55"	6		
	40"			58"	6		
	37"			63"	6		
+120.0, -120.0	37"			63"	6		

\* TOTAL NUMBER OF ANCHORS SHALL BE UNIFORMLY DISTRIBUTED AT (n/2) ANCHORS ABOVE & BELOW OF HORIZONTAL CENTER POST (3) AT JAMBS



P.E. SEAL/SIGNATURE/DATE

FLORIDA BUILDING CODE (HIGH & NON HIGH VELOCITY HURRICANE ZONE)

©2023 TILTECO, INC.



TILLIT TESTING & ENGINEERING COMPANY  
6355 N.W. 36th. St., Ste. 305, VIRGINIA GARDENS, FL 33166  
Phone : (305)871-1530 . Fax : (305)871-1531  
CA-0006719  
WALTER A. TILLIT Jr. P.E.  
FLORIDA Lic. # 44167

SERIES VPF 8000 ALUMINUM  
AWNING WINDOW-LMI



290 WEST 78 ROAD  
HALEAH, FL 33014  
PH: (954)226-5555/(305)558-8103  
FAX: (305)558-6665  
www.gigwindows.com

W.H  
DRAWN BY:

09/12/2023  
DATE:

23-211

DRAWING No.

SHEET 33 OF 34

REV. NO	DESCRIPTION	DATE	REV. No	DESCRIPTION	DATE
1	OLD 20-274	09/12/23	3		
2			4		

**SCHEDULE #8: VALID FOR INSTALLATIONS PER SHEET 17**

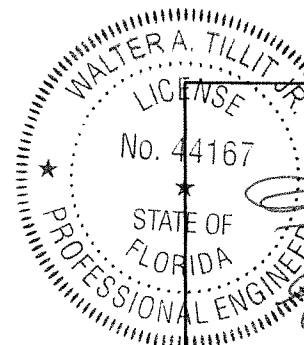
**MAXIMUM # OF ANCHORS "n" AT CLUSTER AT EA. END OF HORIZONTAL CENTER POST (3) AT JAMBS FOR VERTICAL COMBINATION OF HORIZONTALLY ORIENTED AWNING, CASEMENT & FIXED WINDOWS**

SUBSTRATE	ANCHOR TYPE	MAX. ASD DESIGN PRESSURE RATING (psf.)	MAX. FRAME WIDTH	MAX. FRAME HEIGHT	"n"
POURED CONCRETE f'c=3000psi	(12) OR (12A)	+72.0, -72.0	74"	42"	6
		+75.0, -75.0 TO +80.0, -80.0	55"	42"	4
			58"	40"	4
			63"	37"	4
		+85.0, -85.0 TO +115.0, -115.0	55"	42"	6
			58"	40"	6
63"	37"		6		
+120.0, -120.0	63"	37"	6		
ALUMINUM OR STEEL	(13)	+72.0, -72.0	74"	42"	4
		+75.0, -75.0 TO +95.0, -95.0	55"	42"	4
			58"	40"	4
			63"	37"	4
		+100.0, -100.0 TO +115.0, -115.0	55"	42"	6
			58"	40"	6
63"	37"		6		
+120.0, -120.0	63"	37"	6		

**SCHEDULE #8 (CONTINUED)**

SUBSTRATE	ANCHOR TYPE	MAX. ASD DESIGN PRESSURE RATING (psf.)	MAX. FRAME WIDTH	MAX. FRAME HEIGHT	"n"
CONCRETE BLOCK	(12) OR (12A)	+72.0, -72.0	74"	42"	6
		+75.0, -75.0 TO +100.0, -100.0	55"	42"	6
			58"	40"	6
			63"	37"	6
		+105.0, -105.0 TO +115.0, -115.0	55"	42"	8
			58"	40"	8
63"	37"		8		
+120.0, -120.0	63"	37"	8		
WOOD	(12) OR (12A)	+72.0, -72.0	74"	42"	6
		+75.0, -75.0 TO +80.0, -80.0	55"	42"	4
			58"	40"	4
			63"	37"	4
		+85.0, -85.0 TO +115.0, -115.0	55"	42"	6
			58"	40"	6
63"	37"		6		
+120.0, -120.0	63"	37"	6		

\* TOTAL NUMBER OF ANCHORS SHALL BE UNIFORMLY DISTRIBUTED AT (n/2) ANCHORS ABOVE & BELOW OF HORIZONTAL CENTER POST (3) AT JAMBS



P.E. SEAL/SIGNATURE/DATE

FLORIDA BUILDING CODE (HIGH & NON HIGH VELOCITY HURRICANE ZONE)

©2023 TILTECO, INC.

**TILTECO inc.**  
TILLIT TESTING & ENGINEERING COMPANY  
6355 N.W. 36th. St., Ste. 305, VIRGINIA GARDENS, FL 33166  
Phone : (305)871-1530 . Fax : (305)871-1531  
CA-0006719  
WALTER A. TILLIT Jr., P.E.  
FLORIDA Lic. # 44167

**SERIES VPF 8000 ALUMINUM  
AWNING WINDOW-LMI**



290 WEST 78 ROAD  
HIALEAH, FL 33014  
PH: (954)226-5555/(305)558-8103  
FAX: (305)558-6665  
www.gigwindows.com

W.H  
DRAWN BY:

09/12/2023  
DATE:

**23-211**

DRAWING No.

SHEET 34 OF 34

REV. NO	DESCRIPTION	DATE	REV. No	DESCRIPTION	DATE
1	OLD 20-274	09/12/23	3		
2			4		